



US00D558208S

(12) **United States Design Patent**
Ikeda et al.

(10) **Patent No.:** **US D558,208 S**

(45) **Date of Patent:** **** Dec. 25, 2007**

(54) **DOCKING STATION**

D358,364 S * 5/1995 Siddoway D13/108
D480,376 S * 10/2003 Ma D14/149
D521,927 S * 5/2006 Franck et al. D13/108

(75) Inventors: **John Ikeda**, Seattle, WA (US); **John Dan Mabry**, Seattle, WA (US); **Carl J. Ledbetter**, Mercer Island, WA (US)

* cited by examiner

(73) Assignee: **Microsoft Corporation**, Redmond, WA (US)

Primary Examiner—Melanie Tung

Assistant Examiner—Susan Moon Lee

(**) Term: **14 Years**

(74) *Attorney, Agent, or Firm*—Banner & Witcoff, Ltd.

(21) Appl. No.: **29/248,130**

(57) **CLAIM**

(22) Filed: **Jul. 28, 2006**

The ornamental design for a docking station, as shown and described.

(51) **LOC (8) Cl.** **14-02**

(52) **U.S. Cl.** **D14/434**

(58) **Field of Classification Search** D14/434,
D14/447, 432, 385, 357, 149, 457, 253, 251,
D14/356, 137, 138, 107, 155; D13/199,
D13/107, 108, 118, 109, 110, 119, 184; 361/600,
361/679, 683, 686; 200/6 R; 206/701; 320/113–115,
320/107; 379/426; 455/557, 556.1, 556.2,
455/573; 345/156, 901, 905; 439/374, 131,
439/529, 534, 929, 346, 31, 640; 235/472.01;
248/309.1, 221.11; 429/100; D21/333, 392;
D19/65; 24/303; D8/395

See application file for complete search history.

DESCRIPTION

FIG. 1 is a top, front perspective view of a docking station showing our new design;

FIG. 2 is a top plan view thereof;

FIG. 3 is a front elevation view thereof;

FIG. 4 is a rear elevation view thereof;

FIG. 5 is a left side view thereof; and,

FIG. 6 is a right side view thereof.

The unshown bottom of the docking station is not claimed.

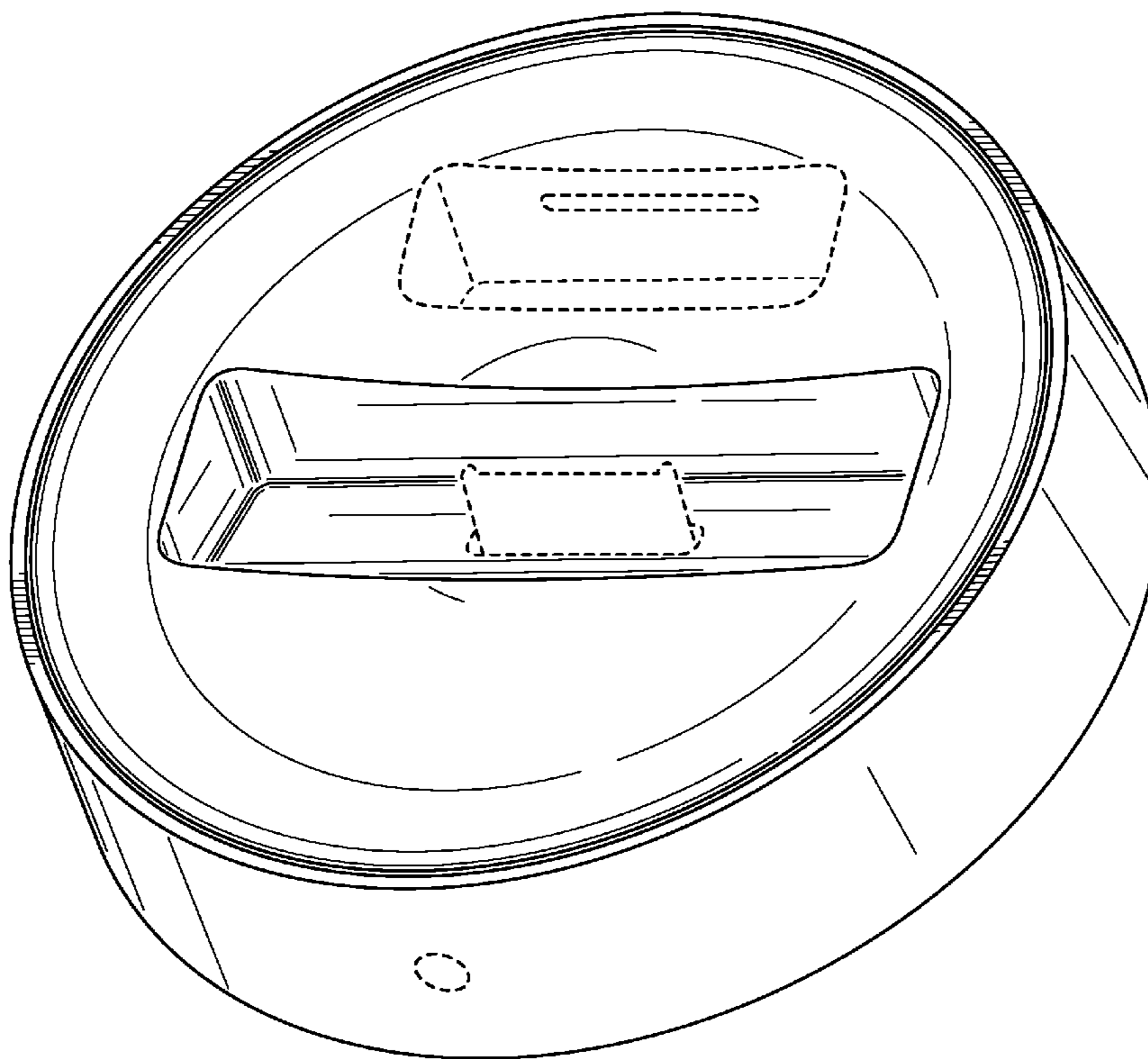
The portions shown in broken line are for illustrative purposes only and form no part of the claimed design.

(56) **References Cited**

U.S. PATENT DOCUMENTS

D300,678 S * 4/1989 Barrault D32/73

1 Claim, 4 Drawing Sheets



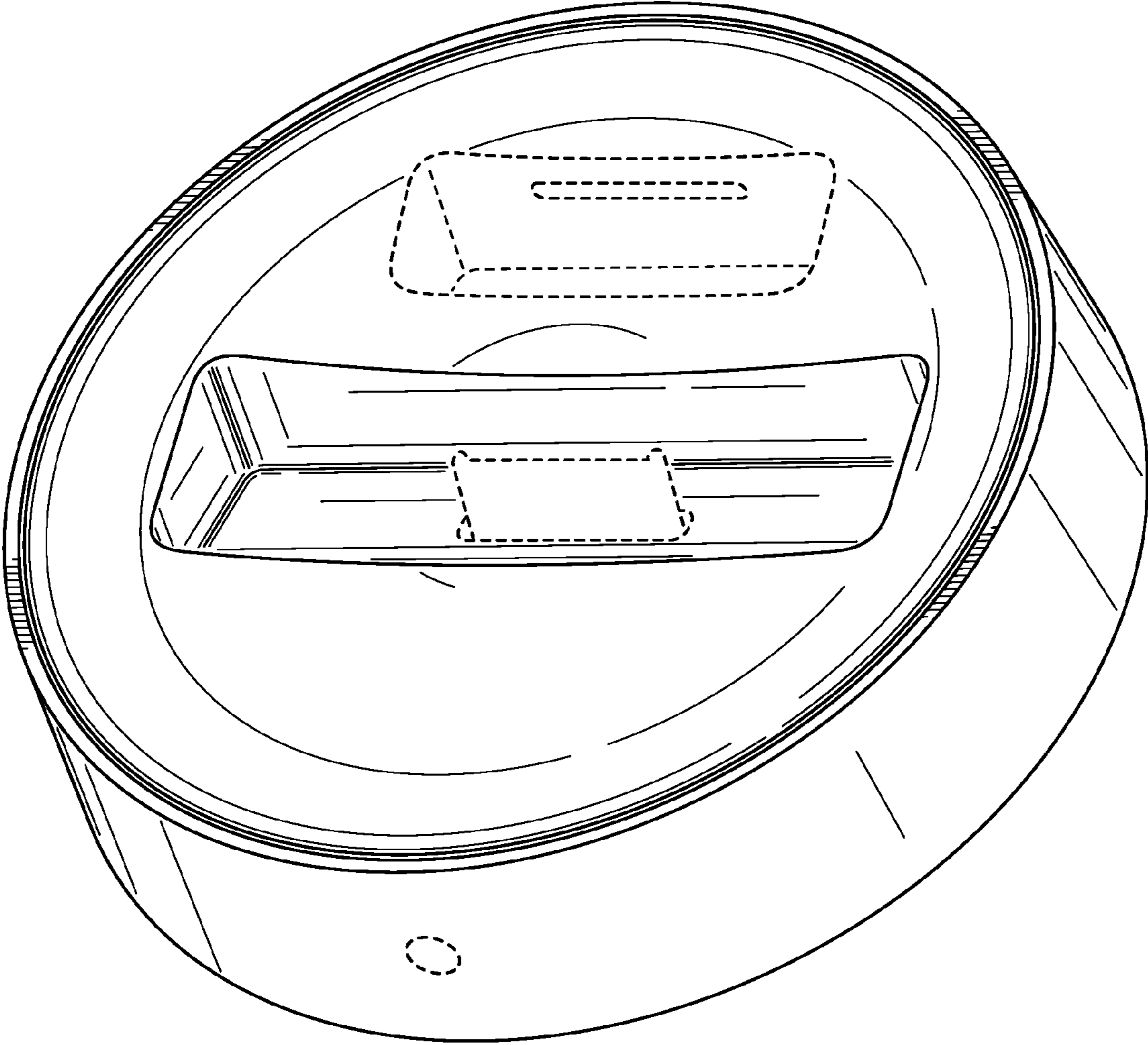


FIG. 1

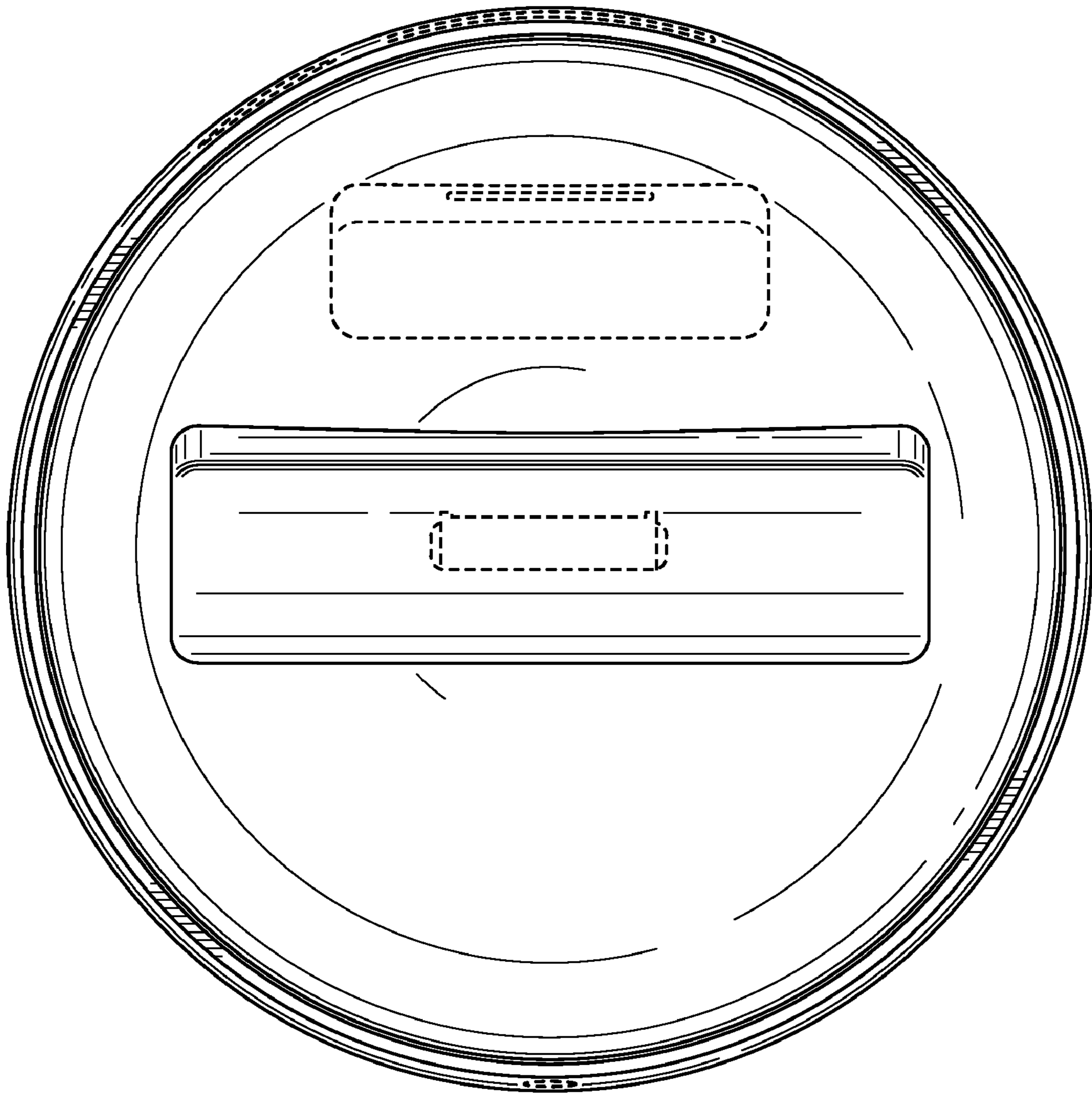


FIG. 2

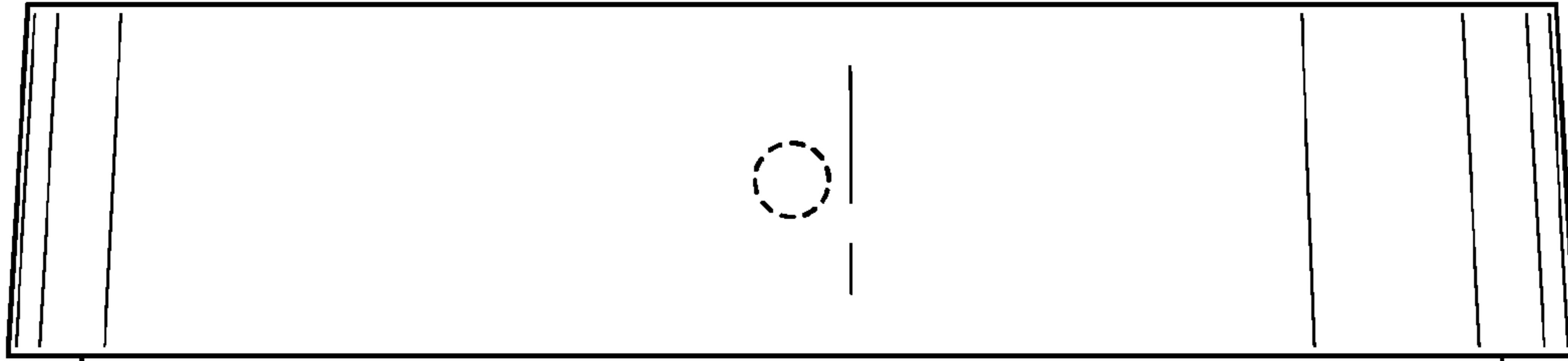


FIG. 3

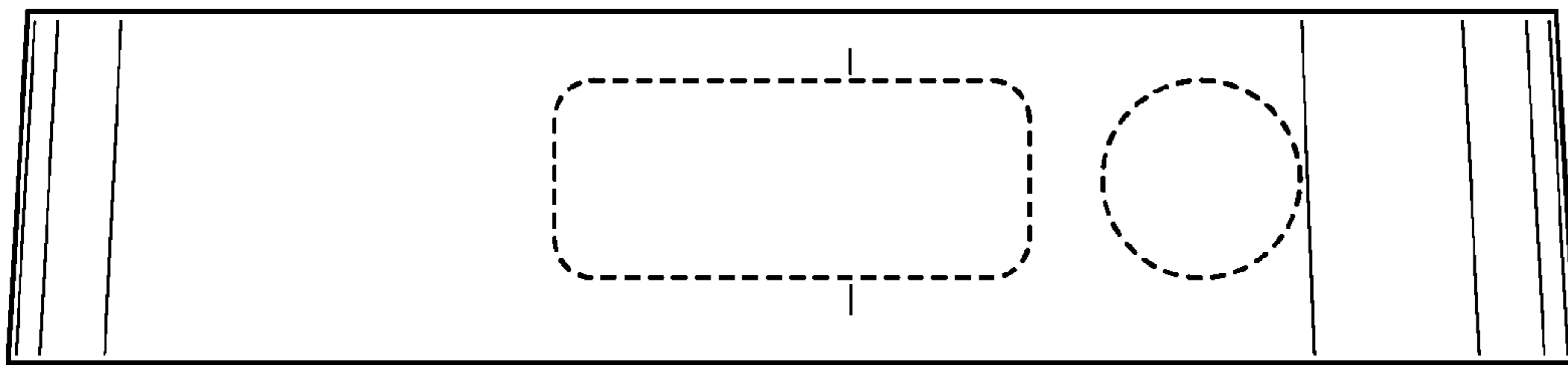


FIG. 4

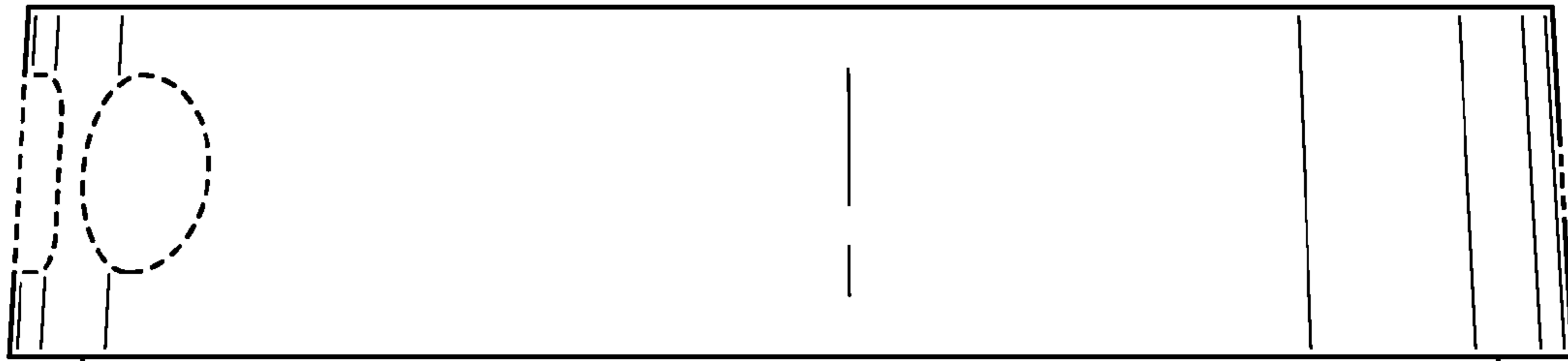


FIG. 5

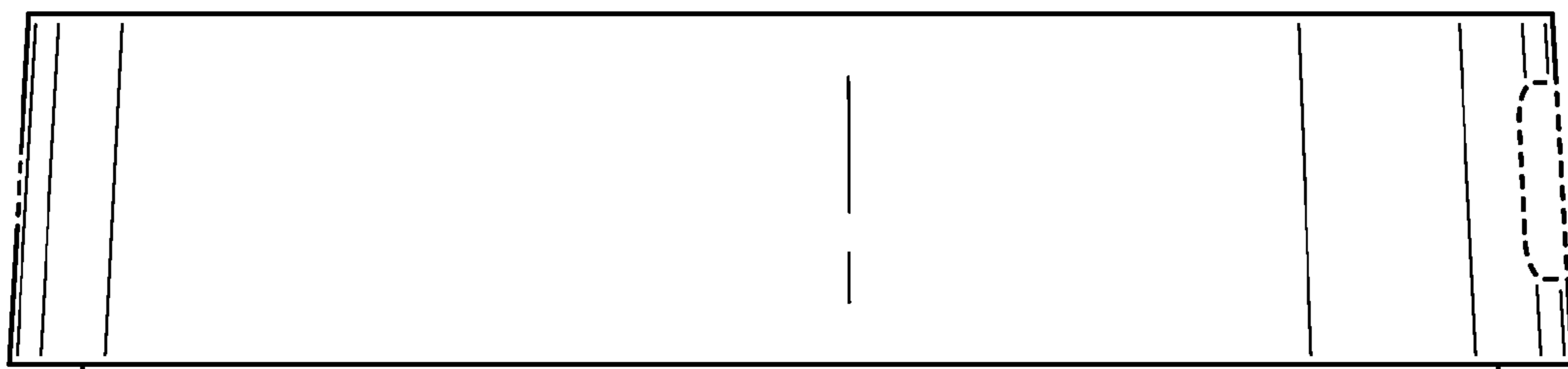


FIG. 6