



US00D558207S

(12) **United States Design Patent**  
**Ikeda et al.**

(10) **Patent No.:** **US D558,207 S**

(45) **Date of Patent:** **\*\* Dec. 25, 2007**

(54) **DOCKING STATION**

D358,364 S \* 5/1995 Siddoway ..... D13/108

D480,376 S \* 10/2003 Ma ..... D14/149

D521,927 S \* 5/2006 Franck et al. .... D13/108

(75) Inventors: **John Ikeda**, Seattle, WA (US); **John Dan Mabry**, Seattle, WA (US); **Carl J. Ledbetter**, Mercer Island, WA (US)

(73) Assignee: **Microsoft Corporation**, Redmond, WA (US)

(\*\*) Term: **14 Years**

(21) Appl. No.: **29/248,129**

(22) Filed: **Jul. 28, 2006**

(51) **LOC (8) Cl.** ..... **14-02**

(52) **U.S. Cl.** ..... **D14/434**

(58) **Field of Classification Search** ..... D14/434,  
D14/447, 432, 385, 357, 149, 457, 253, 251,  
D14/356, 137, 138, 107, 155; D13/199,  
D13/107, 108, 118, 109, 110, 119, 184; 361/600,  
361/679, 683, 686; 200/6 R; 206/701; 320/113–115,  
320/107; 379/426; 455/557, 556.1, 556.2,  
455/573; 345/156, 901, 905; 439/374, 131,  
439/529, 534, 929, 346, 31, 640; 235/472.01;  
248/309.1, 221.11; 429/100; D21/333, 392;  
D19/65; 24/303; D8/395

See application file for complete search history.

(56) **References Cited**

U.S. PATENT DOCUMENTS

D300,678 S \* 4/1989 Barrault ..... D32/73

\* cited by examiner

*Primary Examiner*—Melanie Tung

*Assistant Examiner*—Susan Moon Lee

(74) *Attorney, Agent, or Firm*—Banner & Witcoff, Ltd.

(57) **CLAIM**

The ornamental design for a docking station, as shown and described.

**DESCRIPTION**

FIG. 1 is a top, front perspective view of a docking station showing our new design;

FIG. 2 is a top plan view thereof;

FIG. 3 is a front elevation view thereof;

FIG. 4 is a rear elevation view thereof;

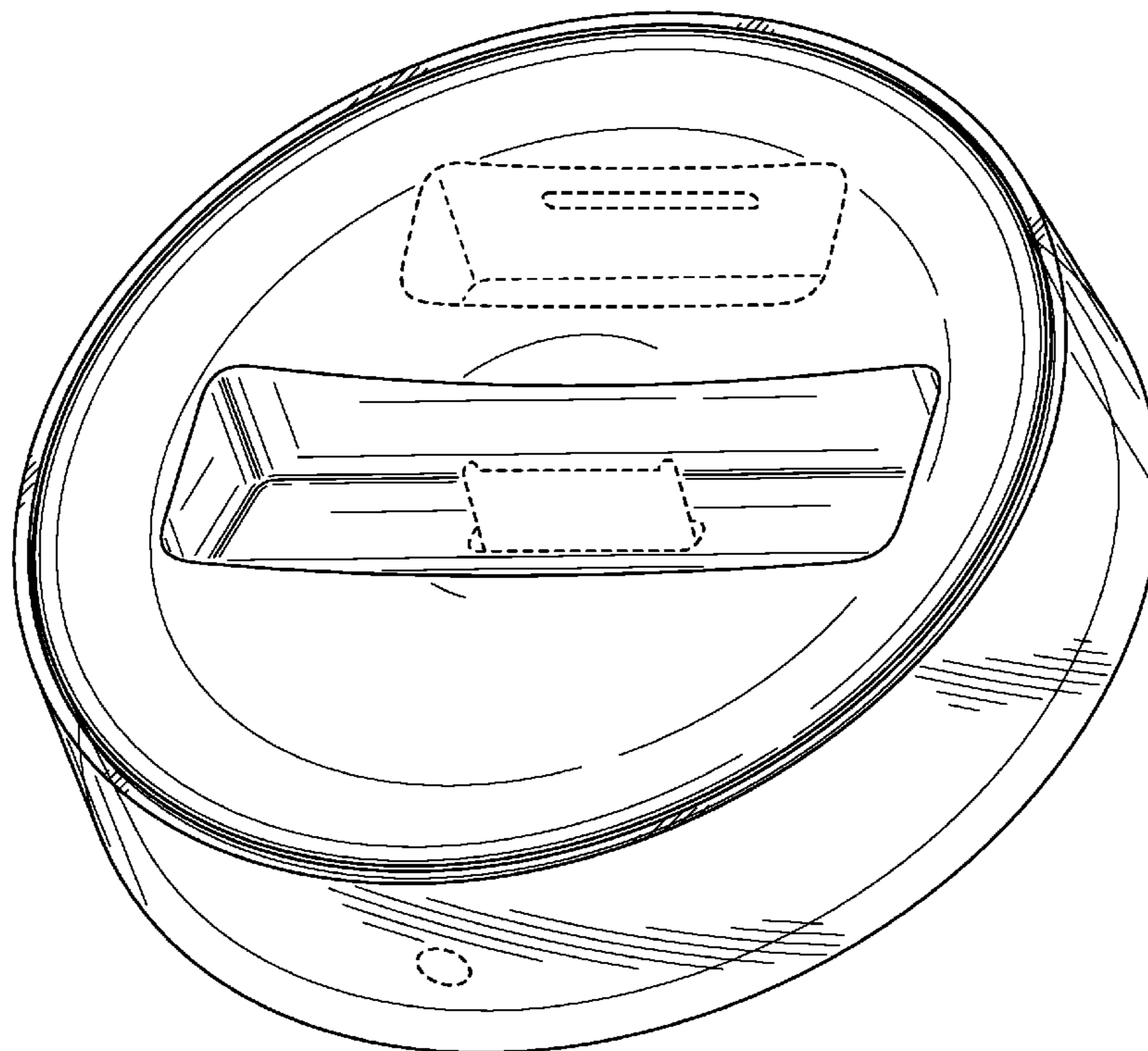
FIG. 5 is a left side view thereof; and,

FIG. 6 is a right side view thereof.

The unshown bottom of the docking station is not claimed.

The portions shown in broken line are for illustrative purposes only and form no part of the claimed design.

**1 Claim, 4 Drawing Sheets**



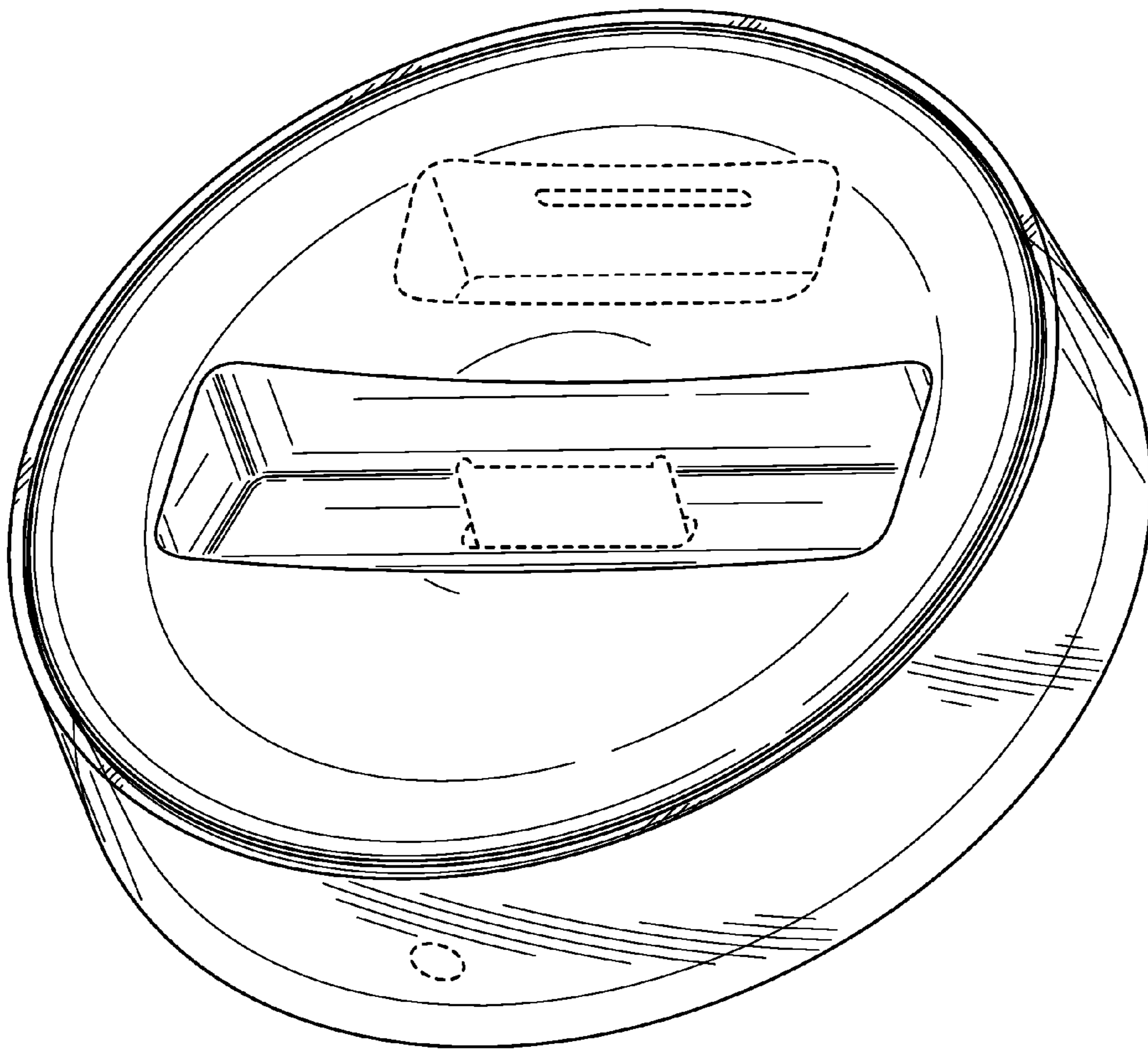


FIG. 1

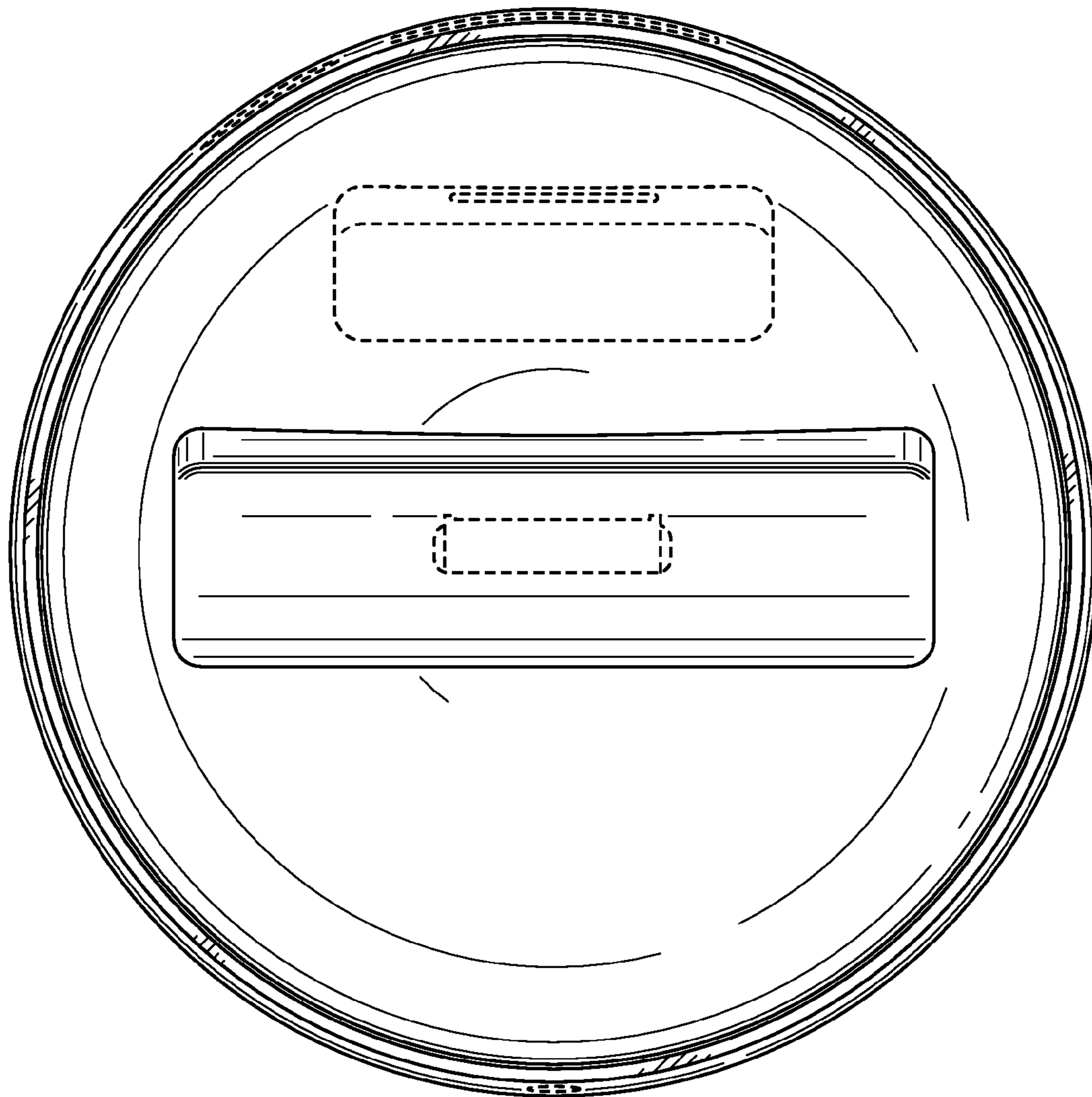


FIG. 2

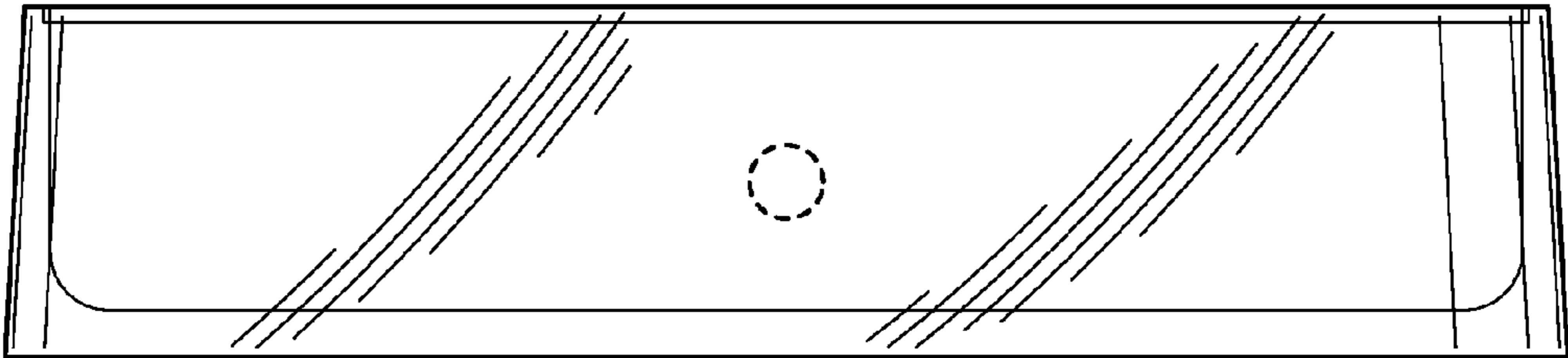


FIG. 3

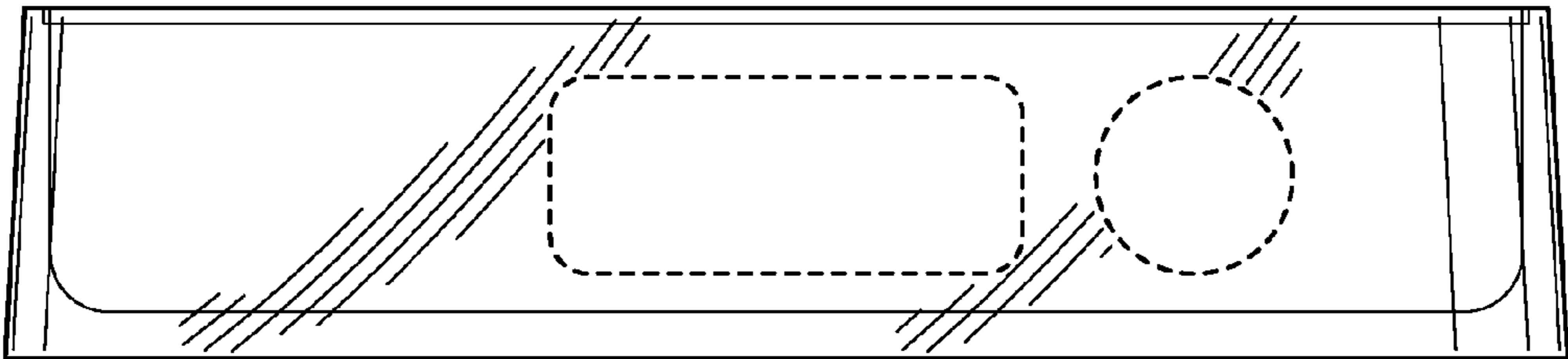


FIG. 4

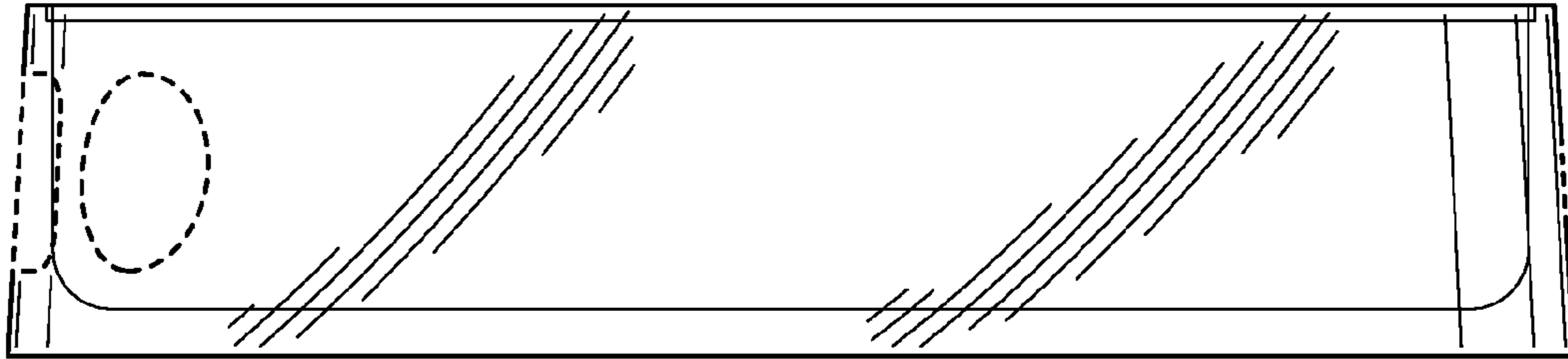


FIG. 5

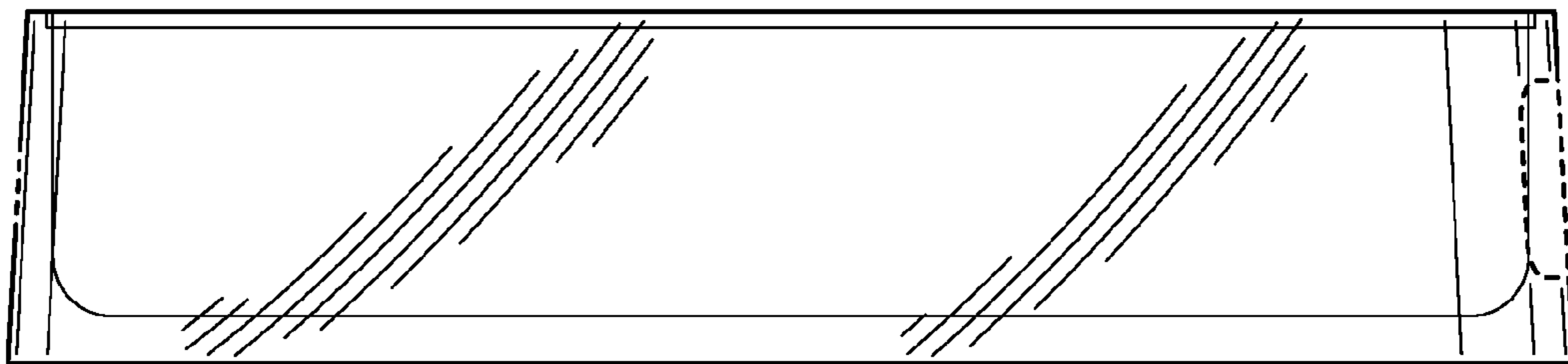


FIG. 6