



US00D558206S

(12) **United States Design Patent**
Watanabe

(10) **Patent No.:** **US D558,206 S**

(45) **Date of Patent:** **** Dec. 25, 2007**

(54) **HANDHELD SCANNER**

(75) Inventor: **Hitoshi Watanabe**, Saitama Pref. (JP)

(73) Assignee: **Optoelectronics Co., Ltd.**, Warabi,
Saitama Pref. (JP)

(**) Term: **14 Years**

(21) Appl. No.: **29/251,521**

(22) Filed: **Jan. 9, 2006**

(51) **LOC (8) Cl.** **14-02**

(52) **U.S. Cl.** **D14/428**

(58) **Field of Classification Search** D14/420,
D14/426, 428-30; 382/312, 313, 321; 235/472.01,
235/462.45, 462.43, 472.02, 462.48, 462.46,
235/426.47; 250/568

See application file for complete search history.

(56) **References Cited**

U.S. PATENT DOCUMENTS

D330,708 S *	11/1992	LaManna et al.	D14/428
D344,501 S *	2/1994	Gong et al.	D14/428
D361,565 S *	8/1995	LaManna et al.	D14/428
D377,347 S *	1/1997	Karlin	D14/428
5,783,813 A *	7/1998	Metlitsky et al.	235/462.45
D400,199 S *	10/1998	Fitch et al.	D14/428
6,000,619 A *	12/1999	Reddersen et al.	235/462.45
D435,557 S *	12/2000	Eisenberg et al.	D14/428
6,394,355 B1 *	5/2002	Schlieffers et al.	235/472.01
D459,728 S *	7/2002	Roberts et al.	D14/428

6,517,003 B2 *	2/2003	Vassura et al.	235/472.01
6,607,132 B1 *	8/2003	Dvorkis et al.	235/462.43
2001/0045466 A1 *	11/2001	Bontly	235/472.01
2002/0056755 A1 *	5/2002	Canini et al.	235/462.48
2002/0104887 A1 *	8/2002	Schlieffers et al.	235/472.02
2003/0234291 A1 *	12/2003	Wulff et al.	235/462.48
2004/0065741 A1 *	4/2004	Reddersen et al.	235/462.45
2004/0084534 A1 *	5/2004	Bhatia et al.	235/472.01

* cited by examiner

Primary Examiner—Melanie H. Tung

Assistant Examiner—Susan Moon Lee

(74) *Attorney, Agent, or Firm*—Kaplan Gilman Gibson &
Demier LLP

(57) **CLAIM**

I claim the ornamental design for a handheld scanner, as shown.

DESCRIPTION

FIG. 1 is a rear perspective view of the handheld scanner;

FIG. 2 is a front perspective view thereof;

FIG. 3 is a left side view thereof;

FIG. 4 is a right side view thereof;

FIG. 5 is a top view thereof;

FIG. 6 is a bottom view thereof;

FIG. 7 is a rear view thereof; and,

FIG. 8 is a front view thereof.

1 Claim, 8 Drawing Sheets



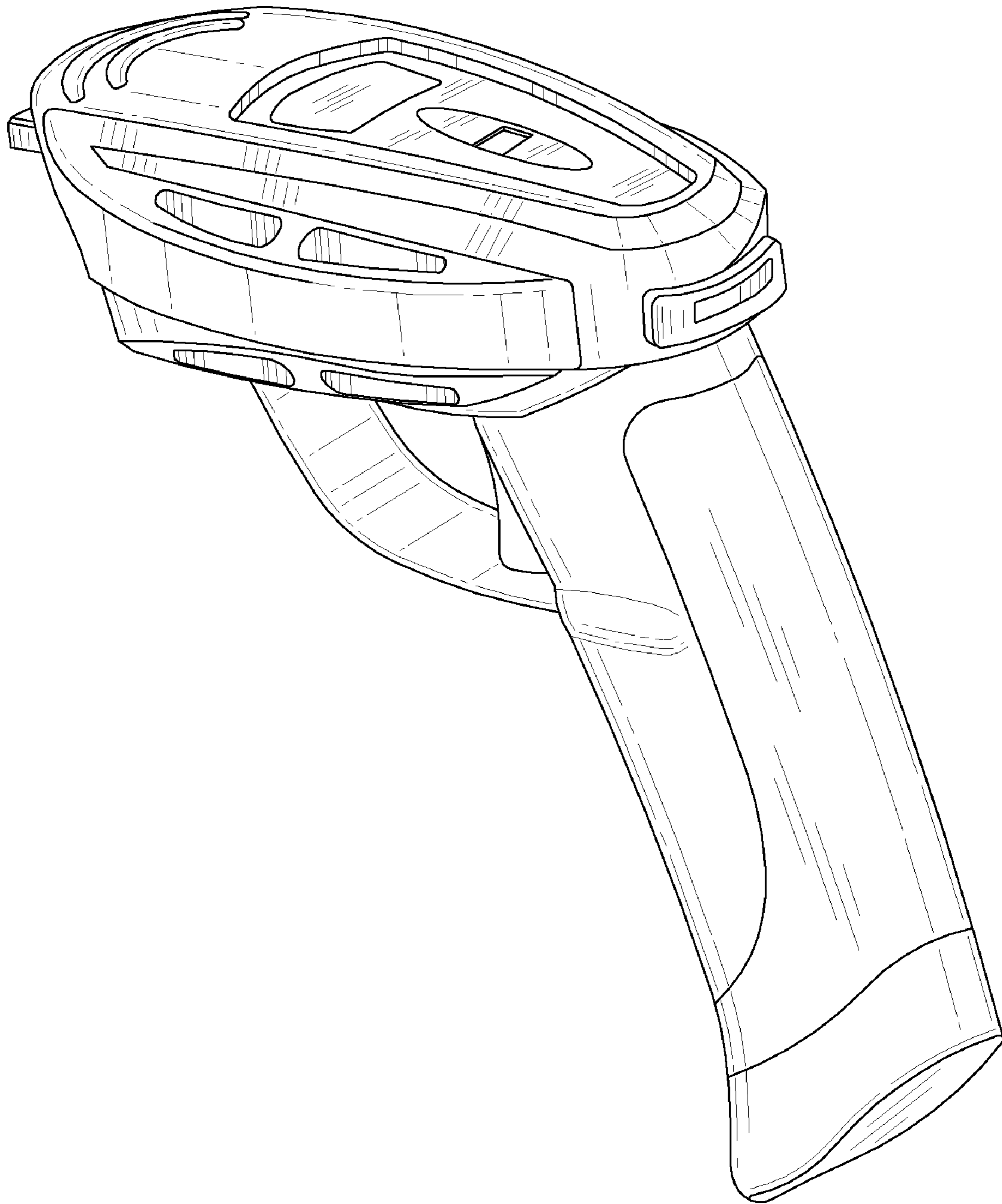


FIG. 1



FIG. 2

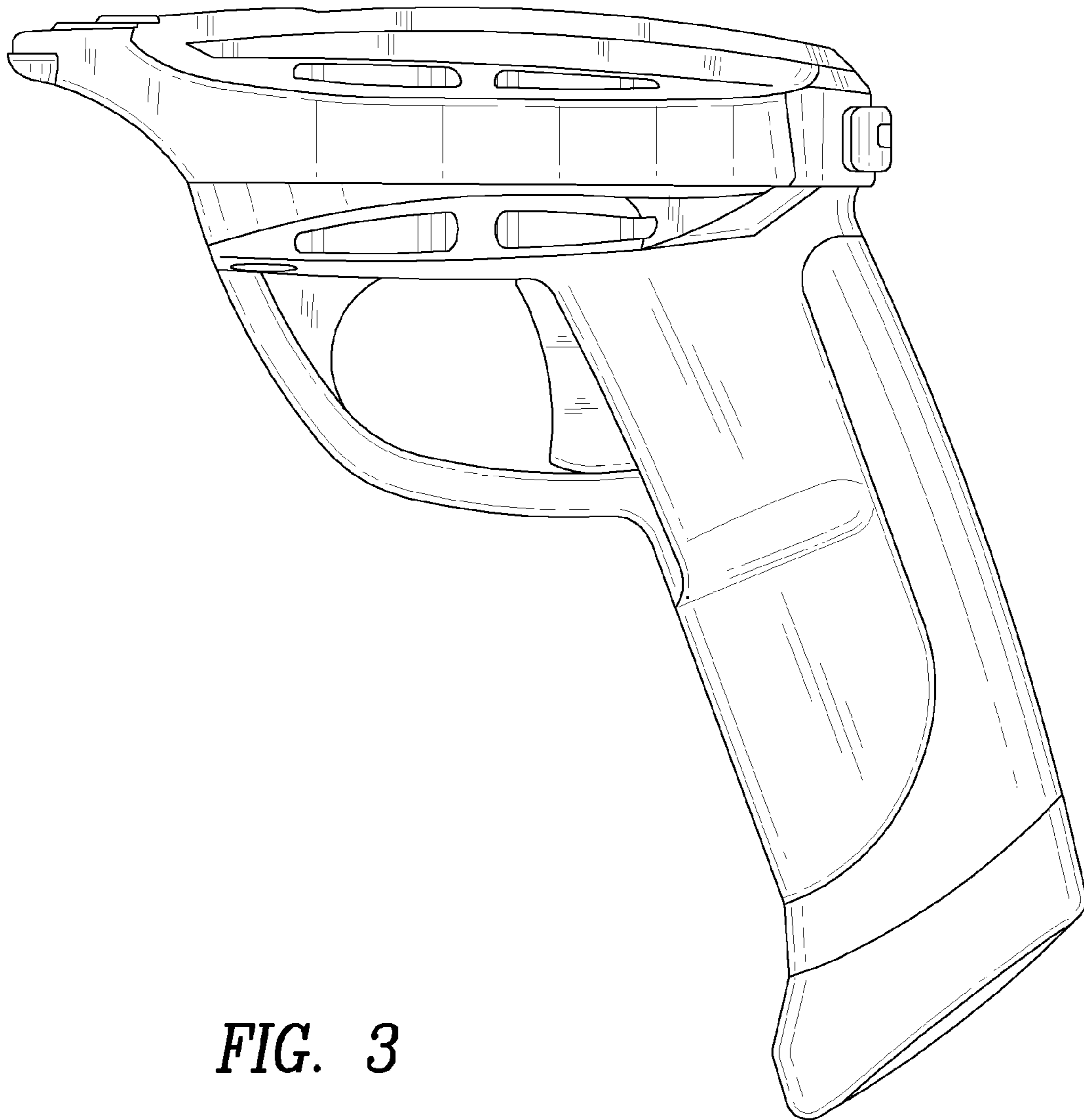
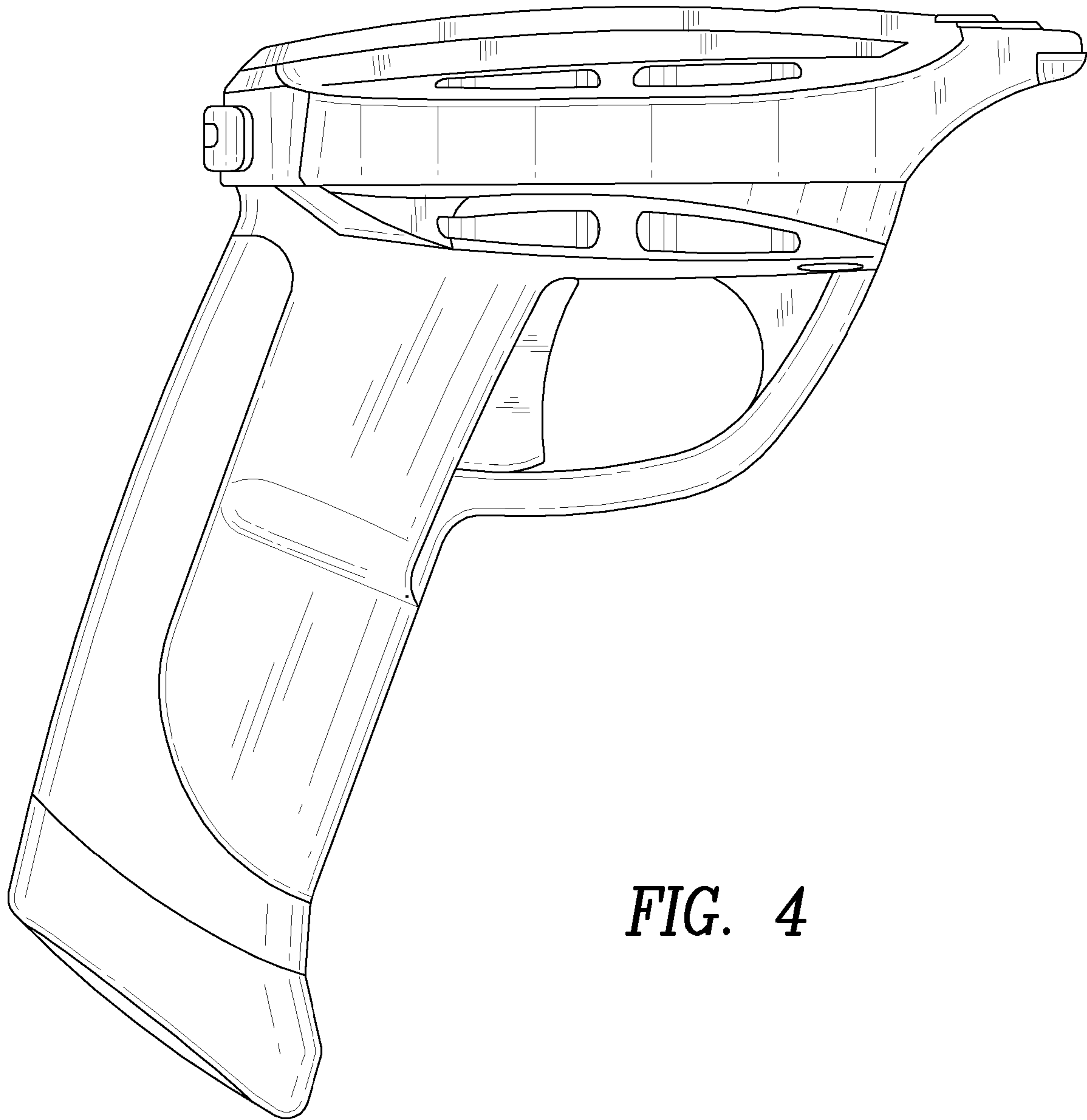


FIG. 3



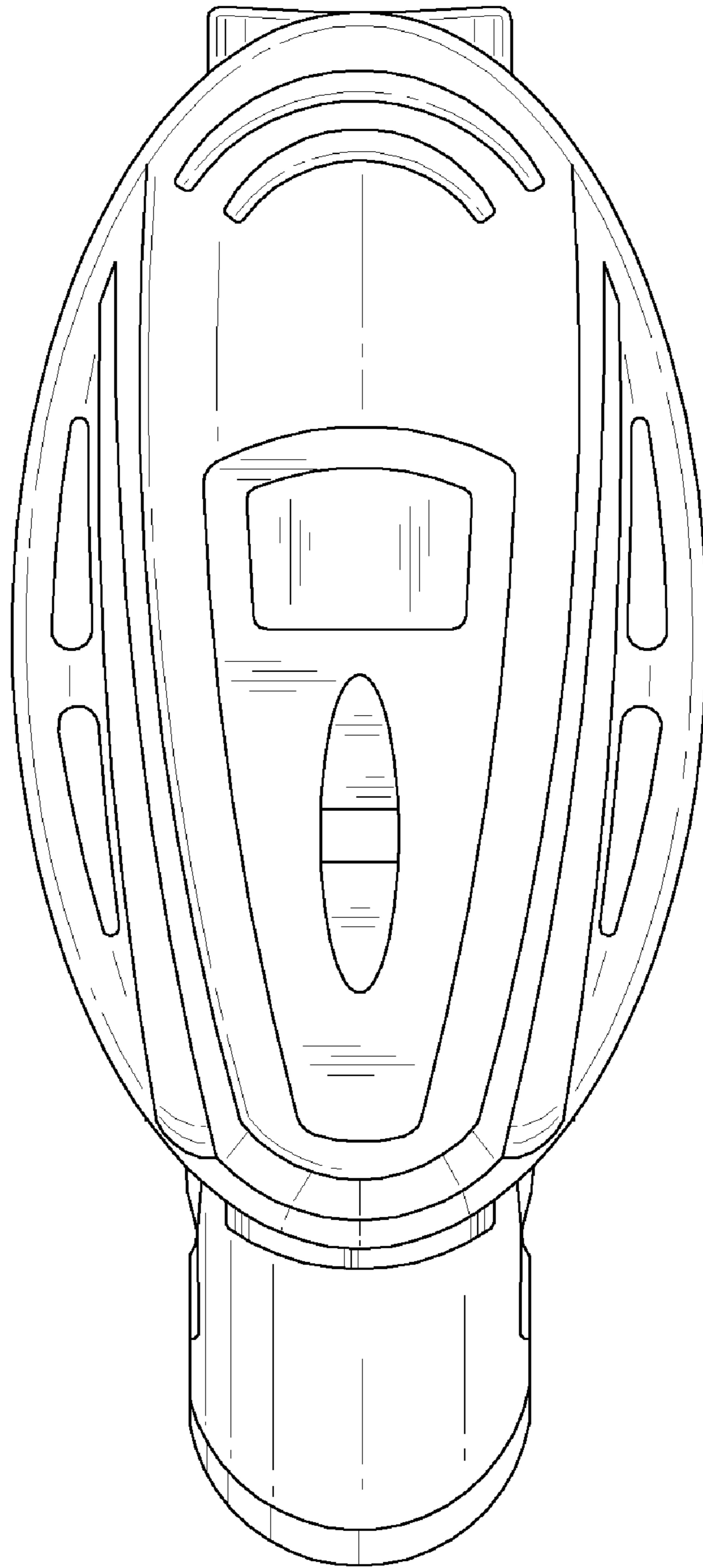


FIG. 5

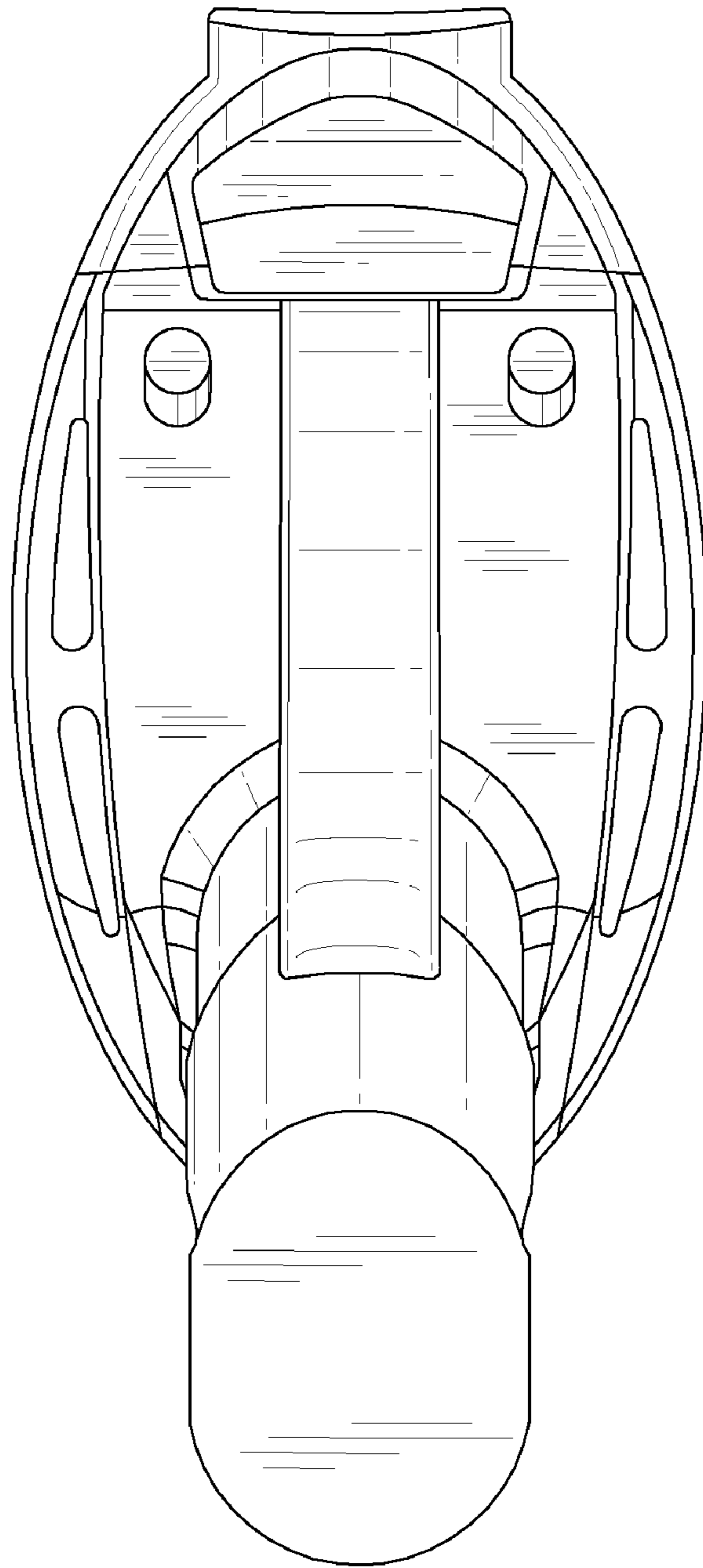


FIG. 6

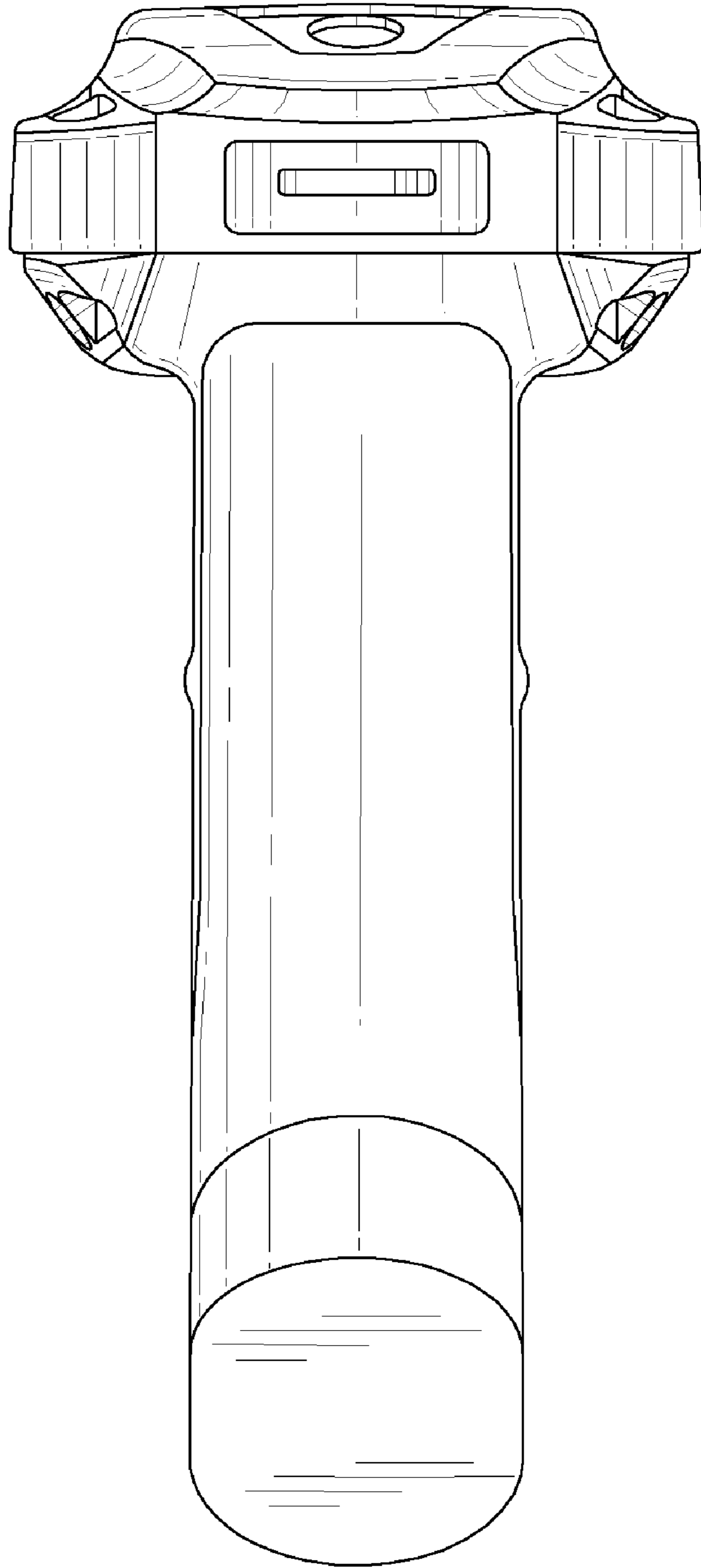


FIG. 7

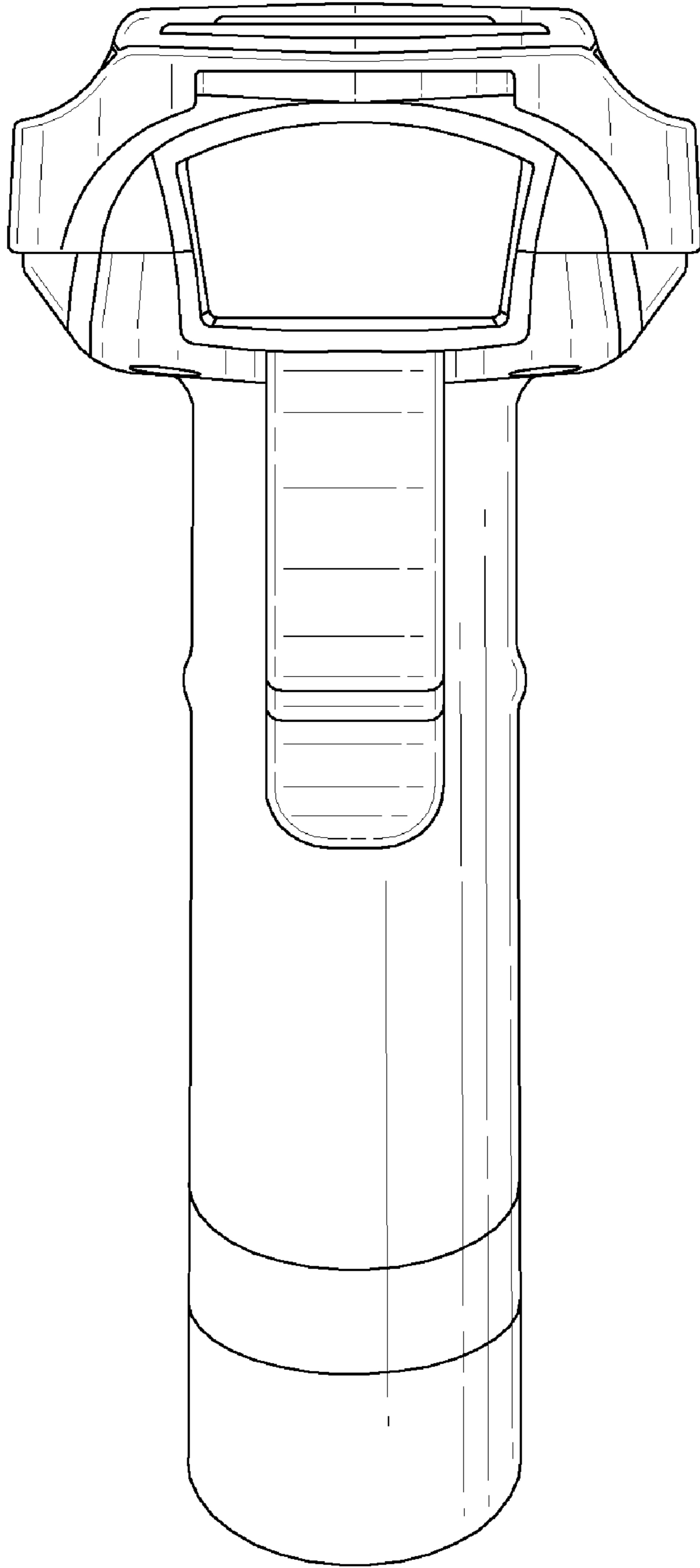


FIG. 8