



US00D558201S

(12) **United States Design Patent**
Park et al.

(10) **Patent No.:** **US D558,201 S**

(45) **Date of Patent:** **** Dec. 25, 2007**

(54) **LCD MONITOR**

(75) Inventors: **Sang Il Park**, Seoul (KR); **Tae Yeon Won**, Seoul (KR)

(73) Assignee: **Samsung Electronics Co., Ltd.**, Suwon (KR)

(**) Term: **14 Years**

(21) Appl. No.: **29/259,960**

(22) Filed: **May 18, 2006**

(51) **LOC (8) Cl.** **14-02**

(52) **U.S. Cl.** **D14/375**

(58) **Field of Classification Search** D14/371-375,
D14/125-129; 361/680-686, 690-696; 345/104,
345/156, 168, 173, 87; 348/180, 184, 325,
348/739; 349/1, 2, 11, 62; 341/12; 248/917-924,
248/123.11, 184.1, 183.3

See application file for complete search history.

(56) **References Cited**

U.S. PATENT DOCUMENTS

4,729,533	A *	3/1988	Hillary et al.	248/184.1
4,834,329	A *	5/1989	Delapp	248/183.3
D363,925	S *	11/1995	Imai	D14/375
5,668,570	A *	9/1997	Ditzik	345/173
D412,892	S *	8/1999	Lee	D14/375

6,015,120	A *	1/2000	Sweere et al.	248/123.11
D477,320	S *	7/2003	Peng et al.	D14/375
D486,486	S *	2/2004	Jobs et al.	D14/371
D518,048	S *	3/2006	Depay	D14/375

* cited by examiner

Primary Examiner—Freda S Nunn

(74) *Attorney, Agent, or Firm*—Ladas & Parry

(57) **CLAIM**

We claim the ornamental design for LCD monitor, as shown and described.

DESCRIPTION

FIG. 1 is a front/left-side/top perspective view of a LCD monitor showing our new design.

FIG. 2 is a front elevational view thereof;

FIG. 3 is a rear elevational view thereof;

FIG. 4 is a left-side elevational view thereof;

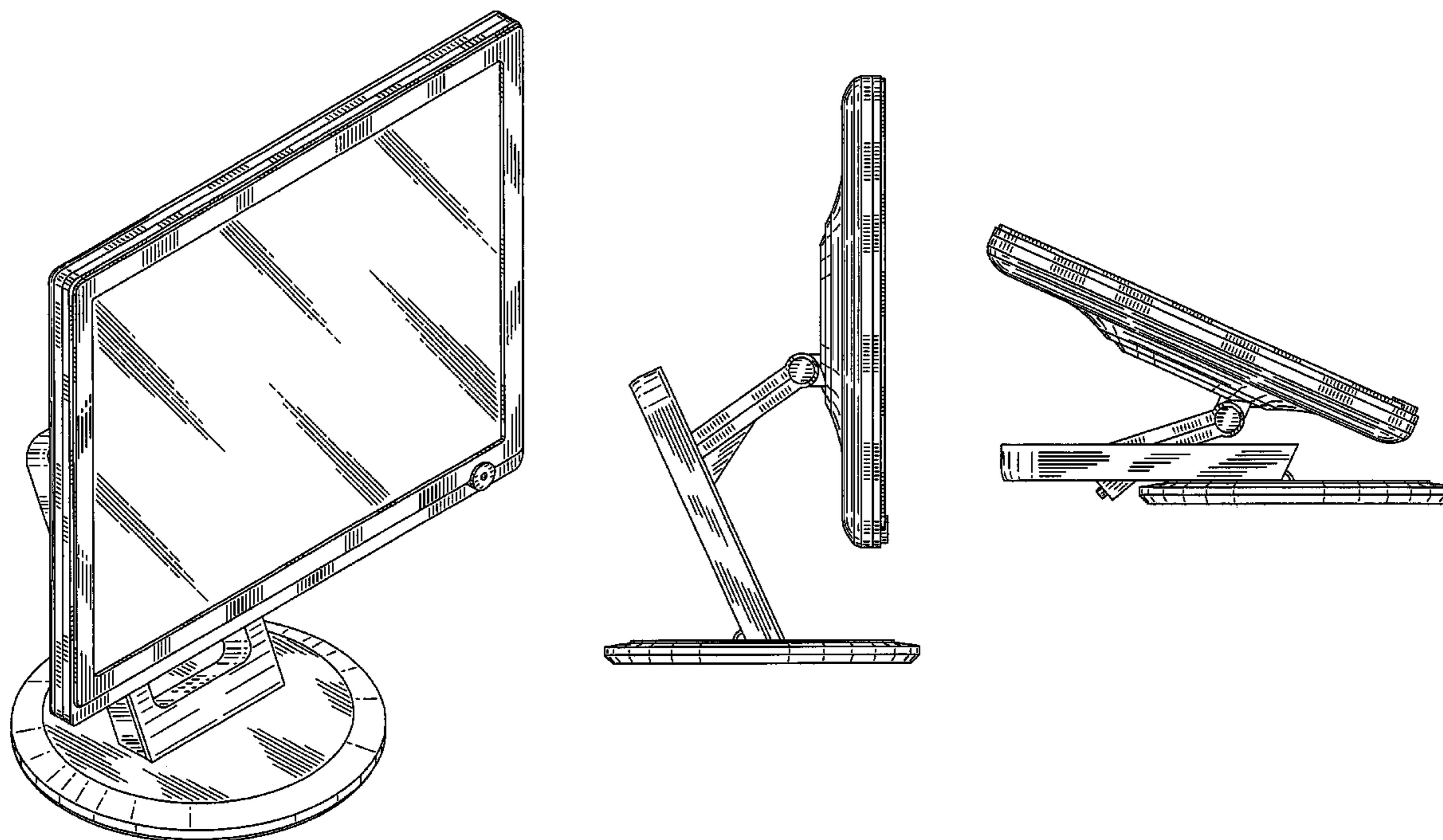
FIG. 5 is a right-side elevational view thereof;

FIG. 6 is a top plan view thereof;

FIG. 7 is a bottom plan view thereof; and,

FIG. 8 is a left-side elevational view thereof, wherein the screen is folded to a different height and angle from FIG. 4.

1 Claim, 7 Drawing Sheets



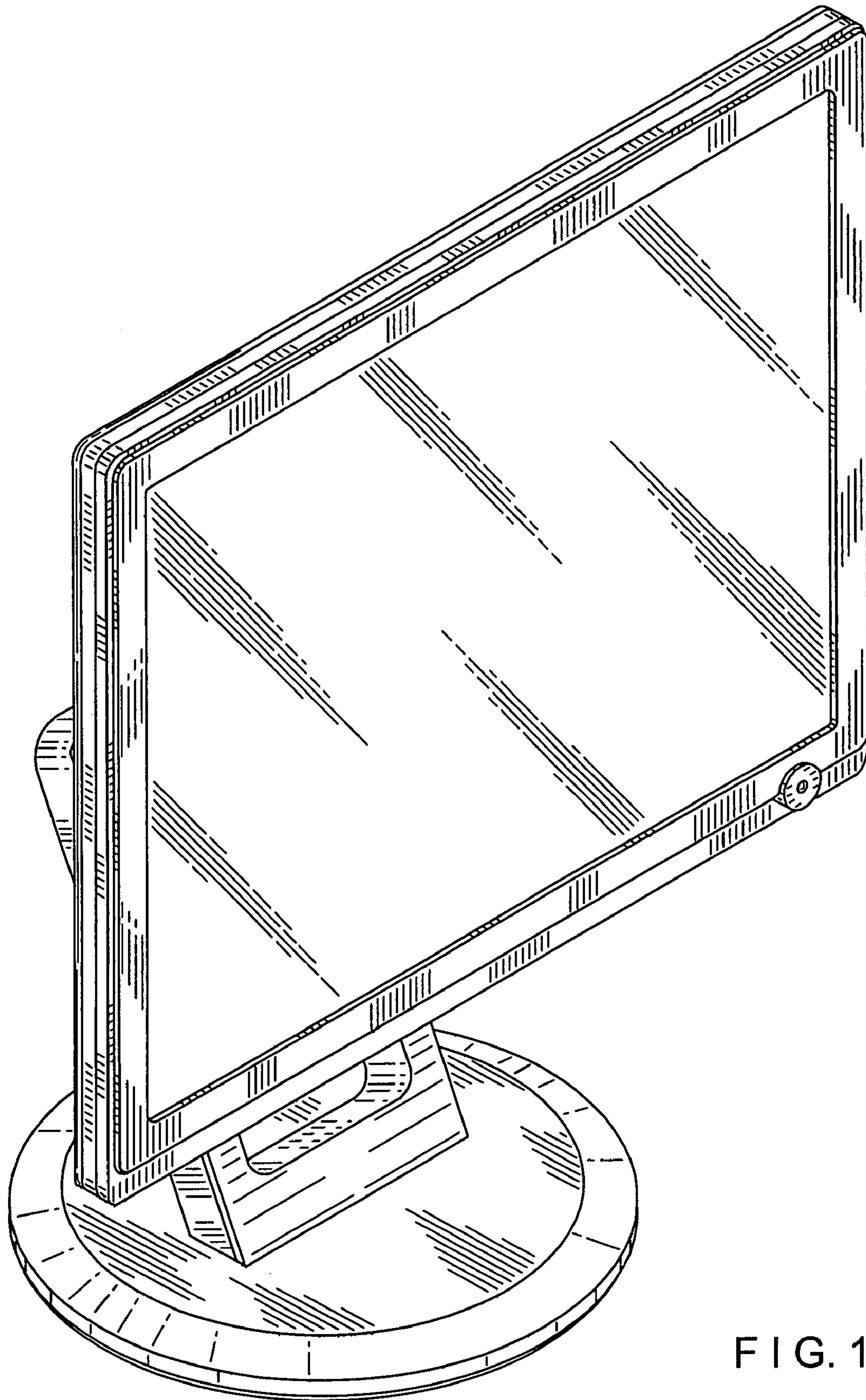


FIG. 1

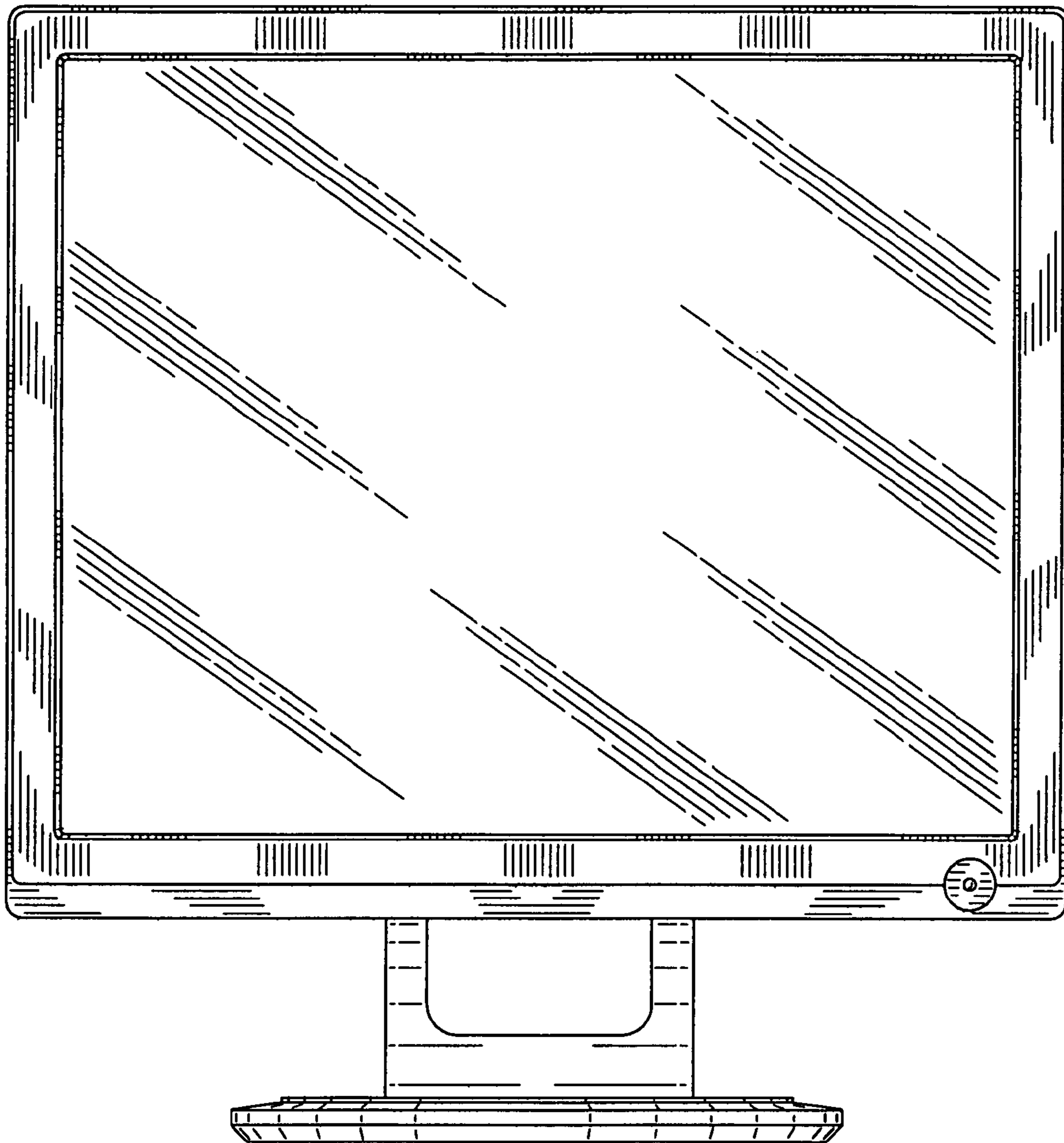


FIG. 2

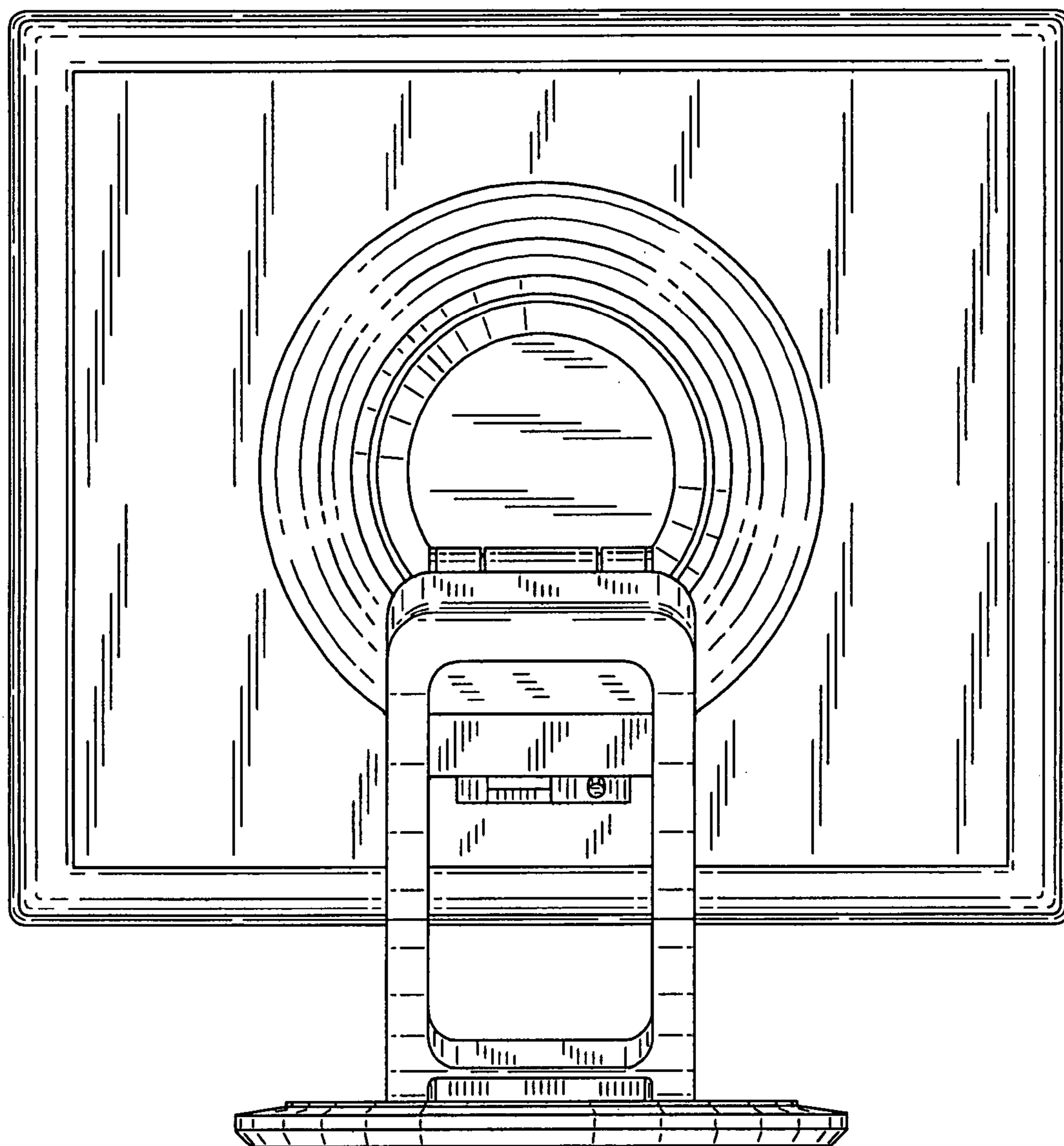


FIG. 3

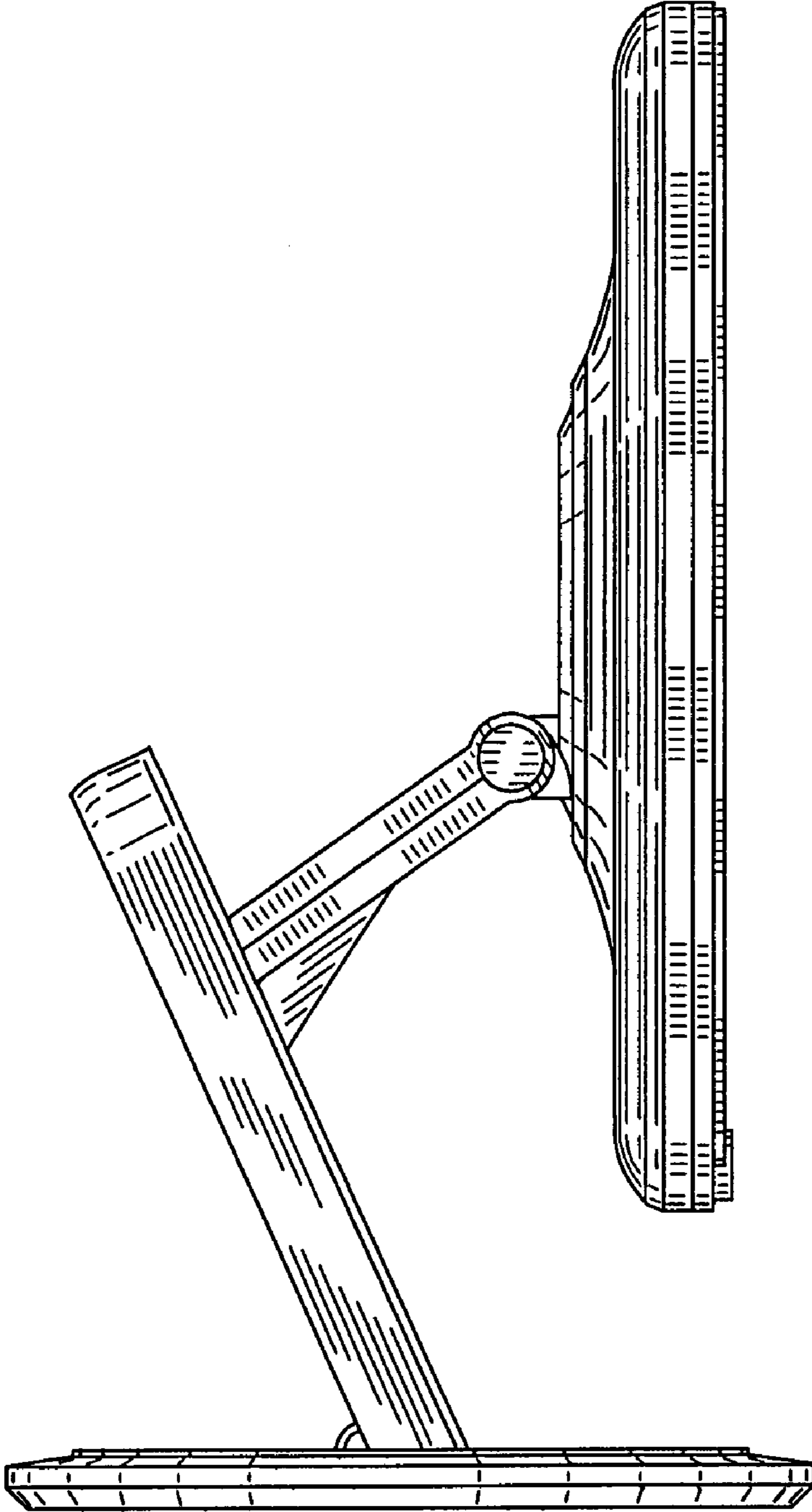


FIG. 4

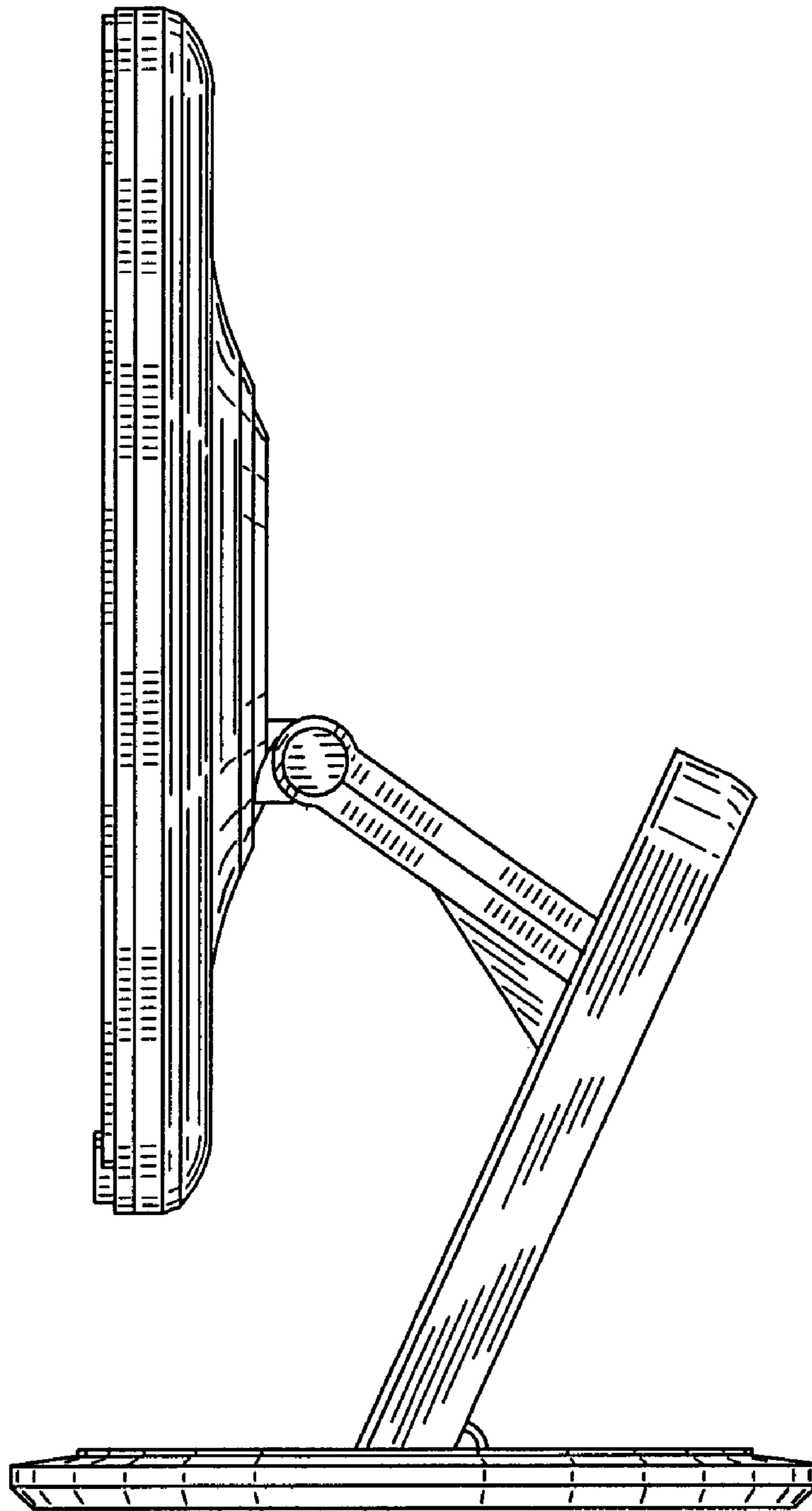


FIG. 5

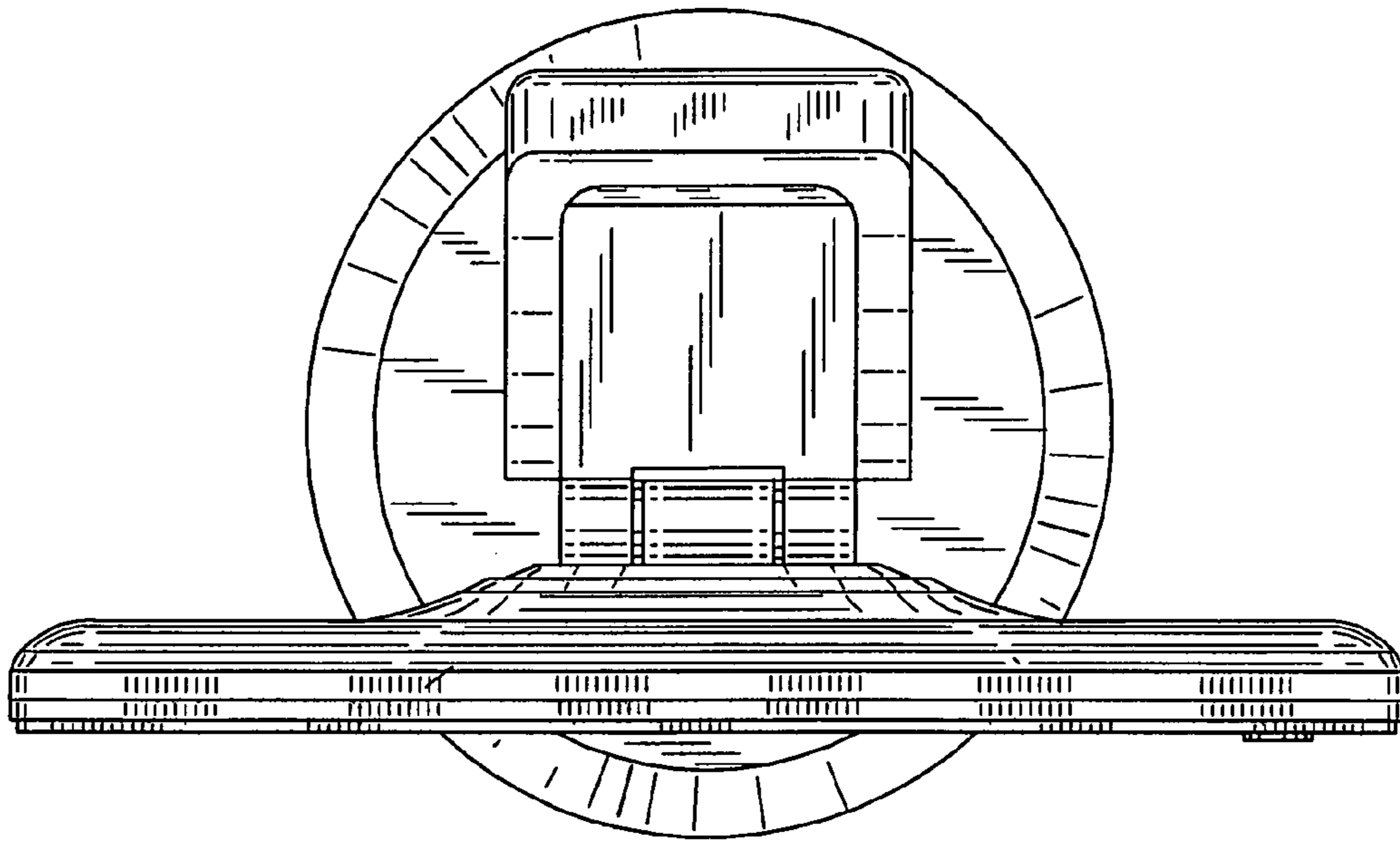


FIG. 6

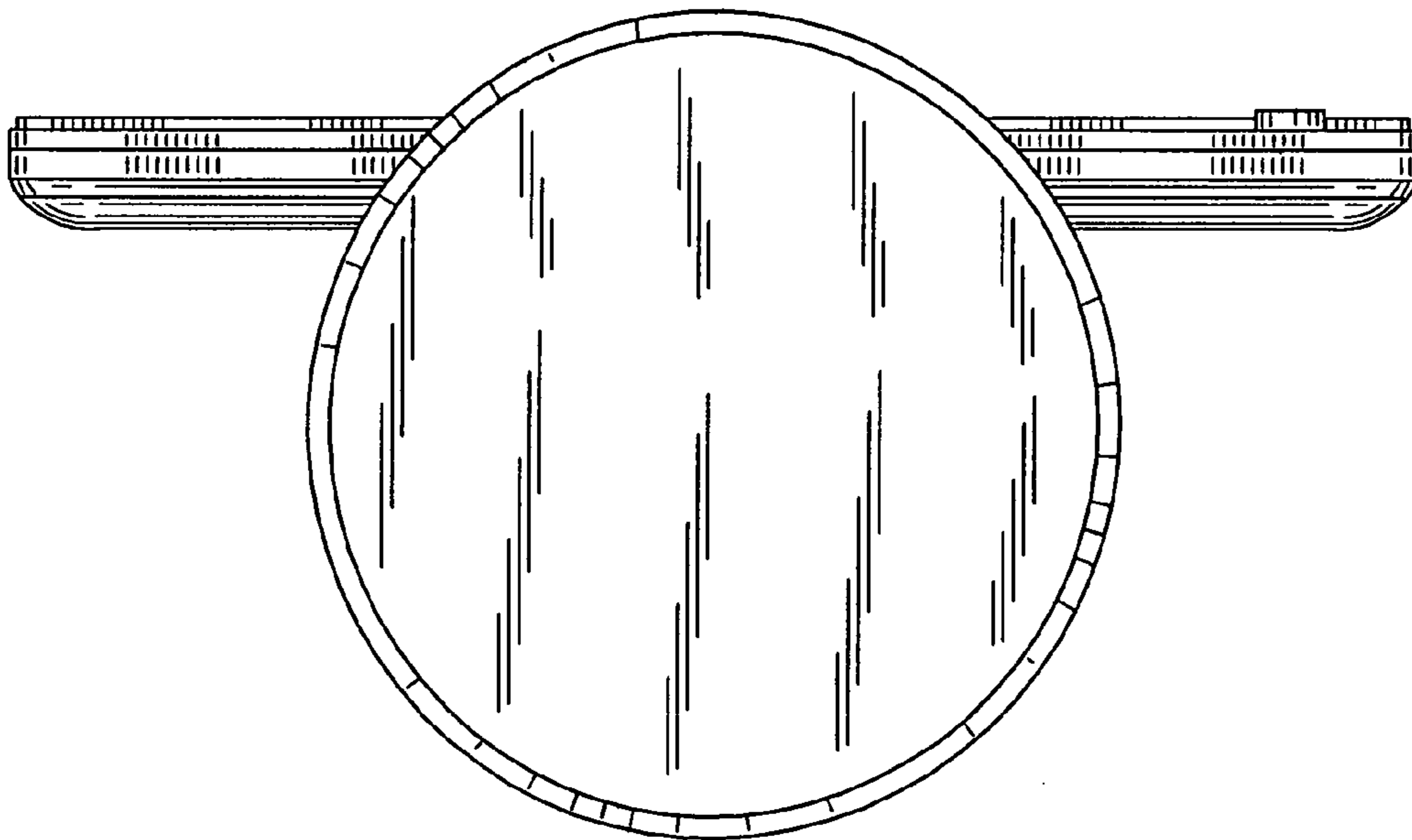


FIG. 7

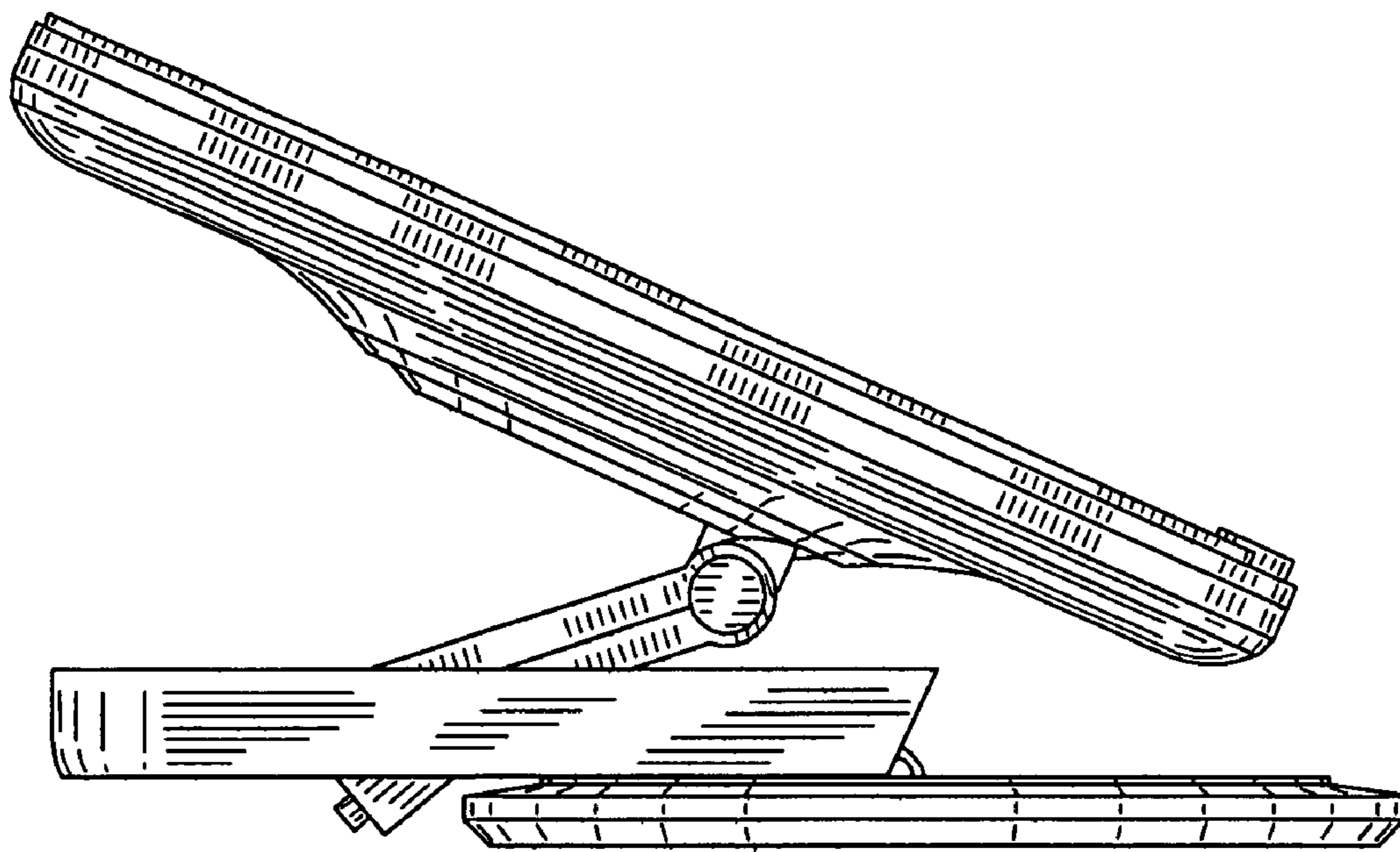


FIG. 8