



US00D558200S

(12) **United States Design Patent**
Tsai

(10) **Patent No.:** **US D558,200 S**
(45) **Date of Patent:** **** Dec. 25, 2007**

(54) **MONITOR**

(75) Inventor: **Yao-Hsing Tsai**, Chung-Ho (TW)

(73) Assignee: **Top Victory Electronics (Taiwan) Co., Ltd.**, Taipei Hsien (TW)

(**) Term: **14 Years**

(21) Appl. No.: **29/248,470**

(22) Filed: **Aug. 17, 2006**

(30) **Foreign Application Priority Data**

Apr. 7, 2006 (TW) 95301780

(51) **LOC (8) Cl.** **14-02**

(52) **U.S. Cl.** **D14/375**

(58) **Field of Classification Search** D14/371-375,
D14/125-129, 356; 248/917-924; 345/104,
345/156, 168, 173, 87, 1.1; 348/180, 184,
348/325, 739; 341/12; 349/1, 2, 11, 62
See application file for complete search history.

(56) **References Cited**

U.S. PATENT DOCUMENTS

D428,415 S * 7/2000 Shibata D14/356
D453,022 S * 1/2002 Oba D14/374
D464,049 S * 10/2002 Goto D14/374
D468,310 S * 1/2003 Tu D14/375

D469,091 S * 1/2003 Hasegawa et al. D14/375
D470,489 S * 2/2003 Lin D14/375
D483,726 S * 12/2003 Teng et al. D14/126

* cited by examiner

Primary Examiner—Freda S. Nunn

(74) *Attorney, Agent, or Firm*—Vedder, Price, Kaufmann & Kammholz, P.C.

(57) **CLAIM**

The ornamental design for monitor, as shown and described.

DESCRIPTION

FIG. 1 is a perspective view of monitor showing my new design;

FIG. 2 is a front elevational view thereof;

FIG. 3 is a rear elevational view thereof;

FIG. 4 is a left side elevational view thereof;

FIG. 5 is a right side elevational view thereof;

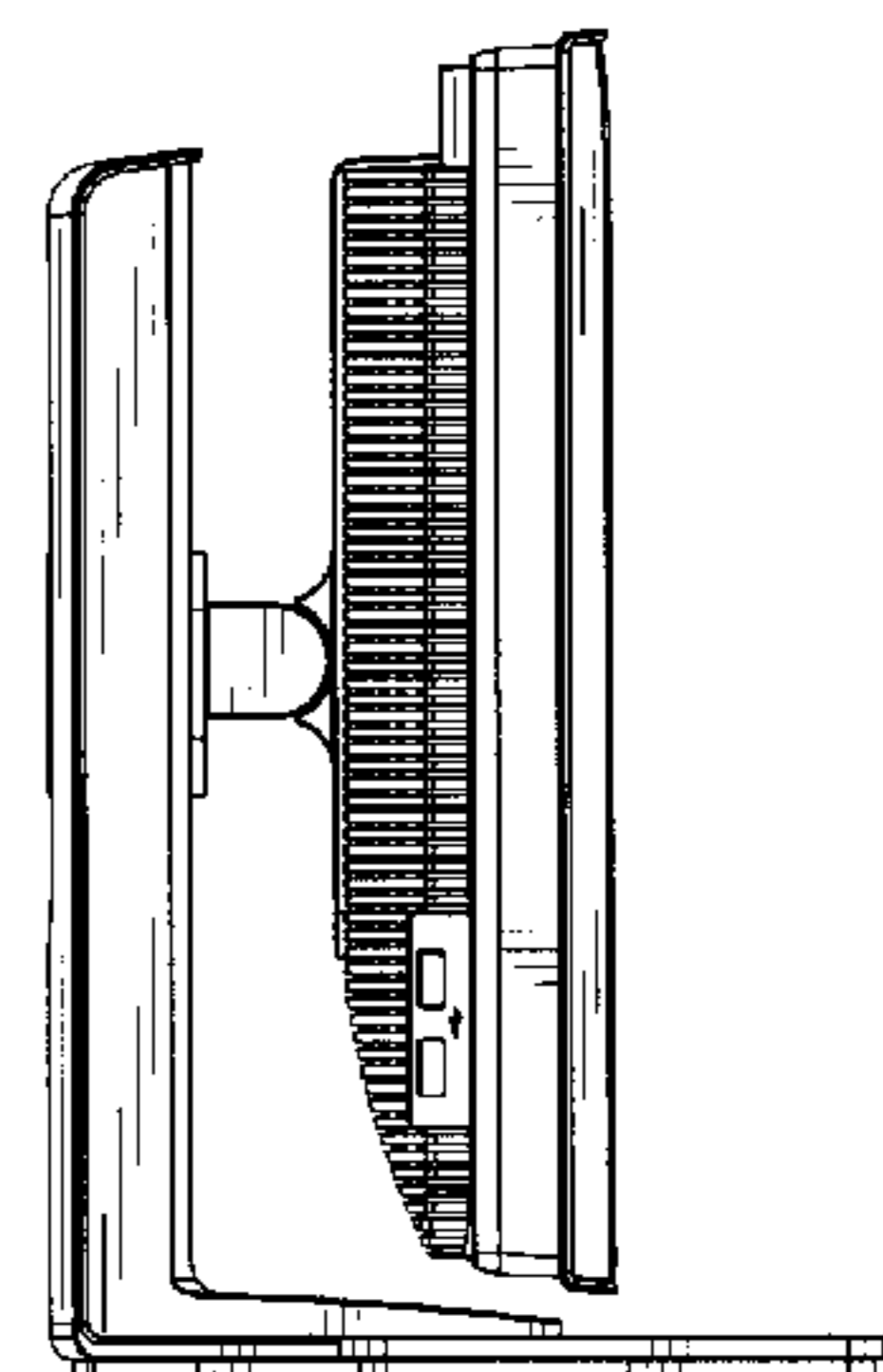
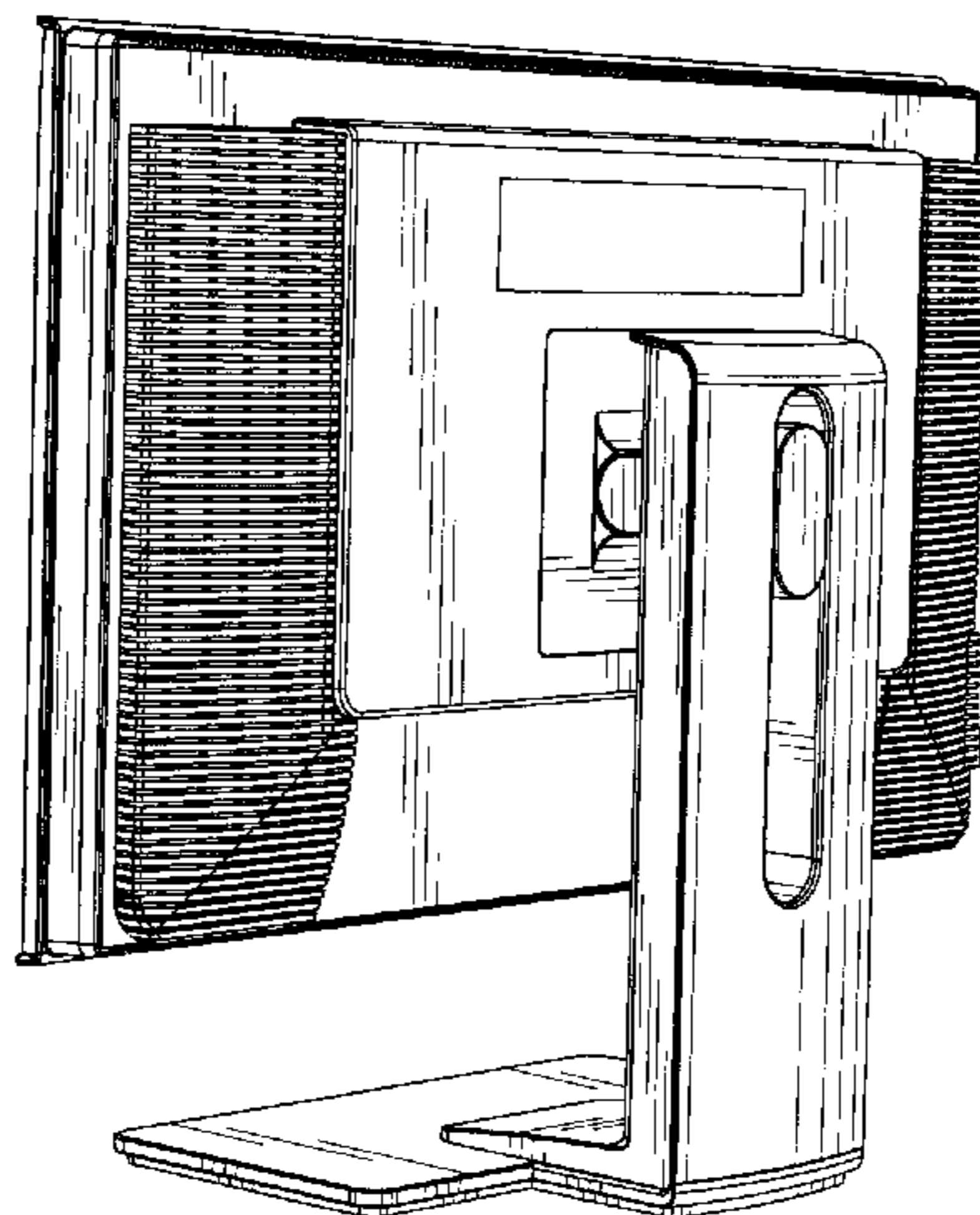
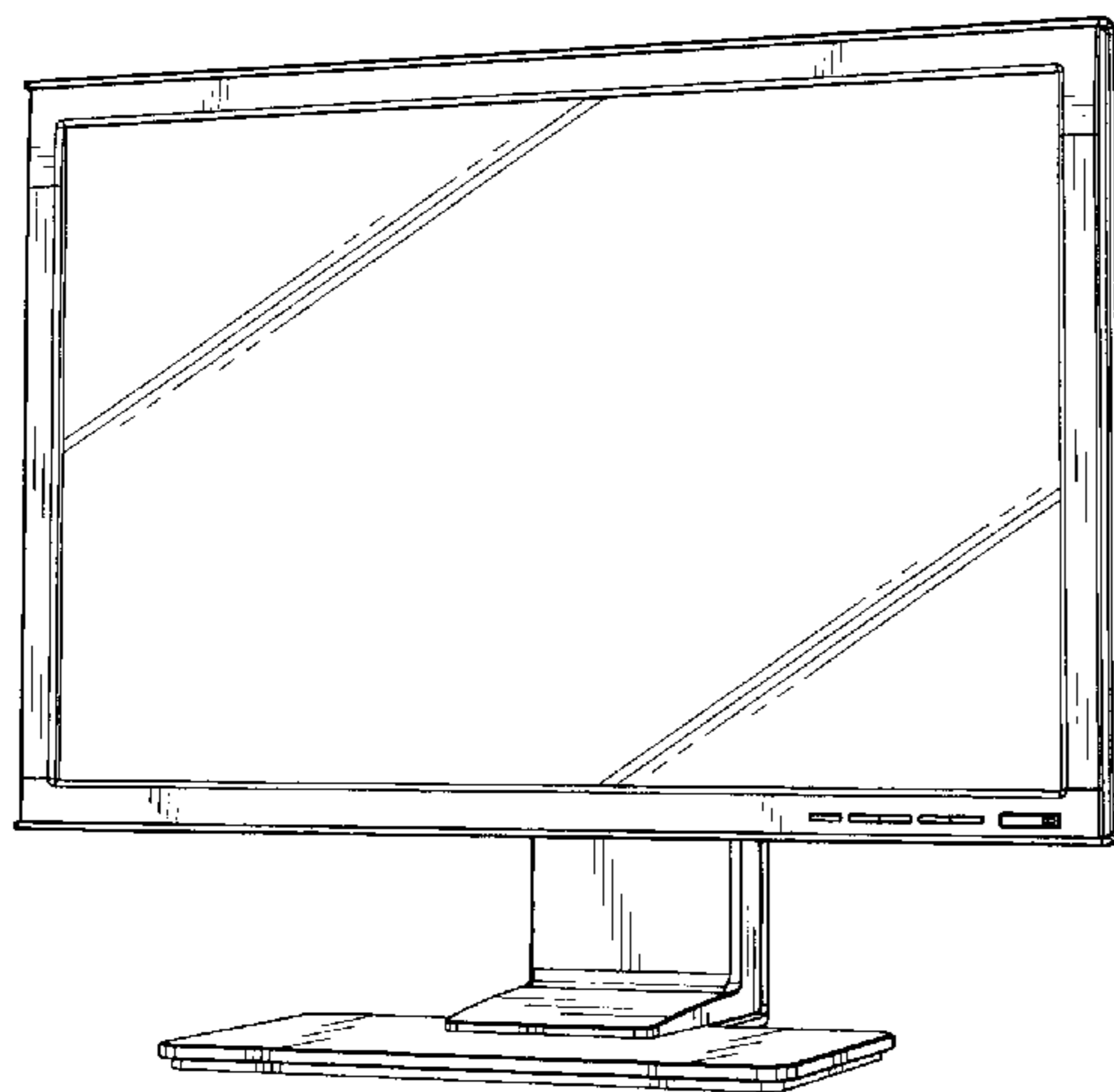
FIG. 6 is a top plan view thereof;

FIG. 7 is a bottom plan view thereof;

FIG. 8 is another perspective view of the design; and,

FIG. 9 is the same view as FIG. 4, but showing that a display panel of the monitor is lowered.

1 Claim, 5 Drawing Sheets



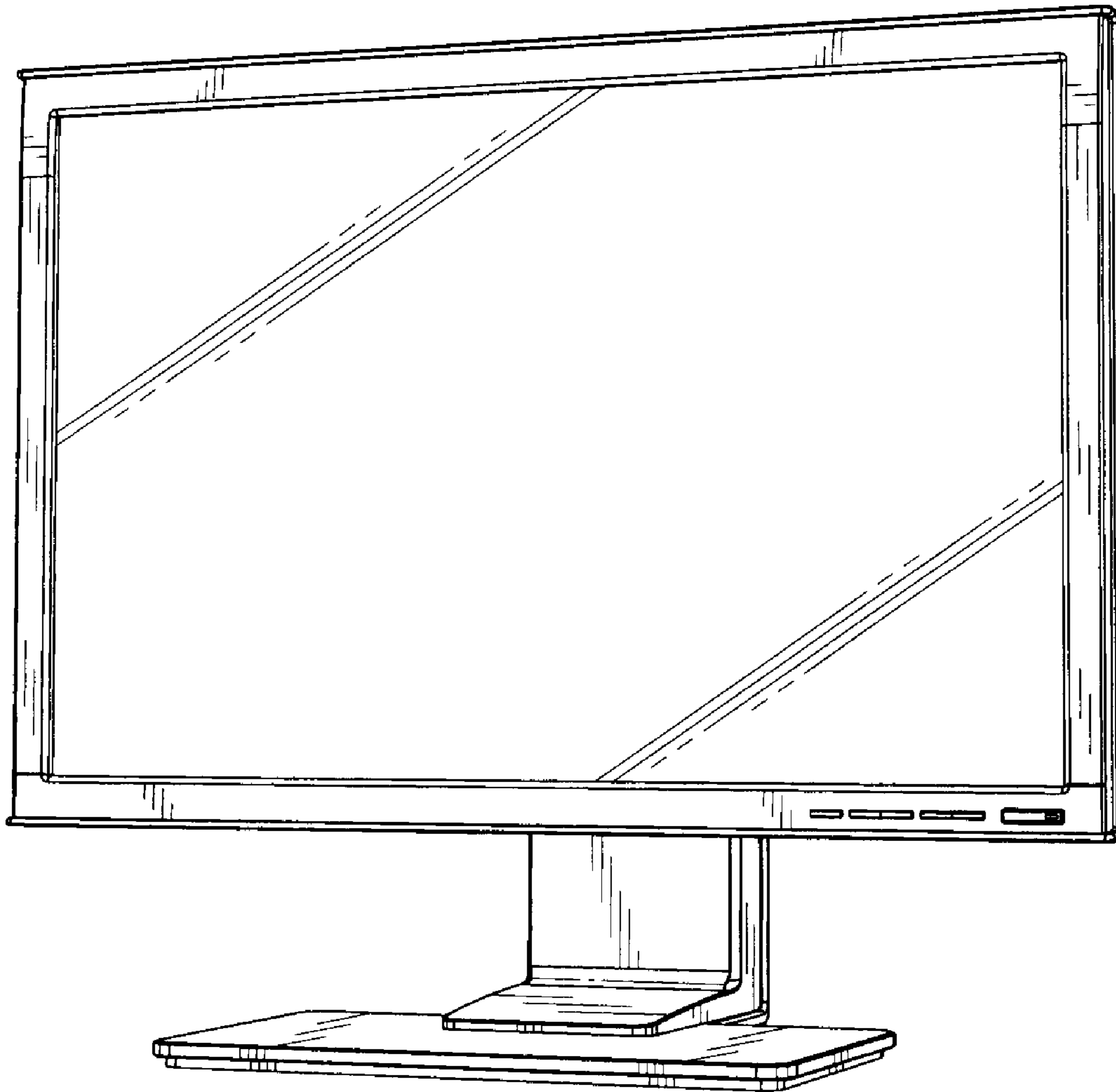


FIG. 1

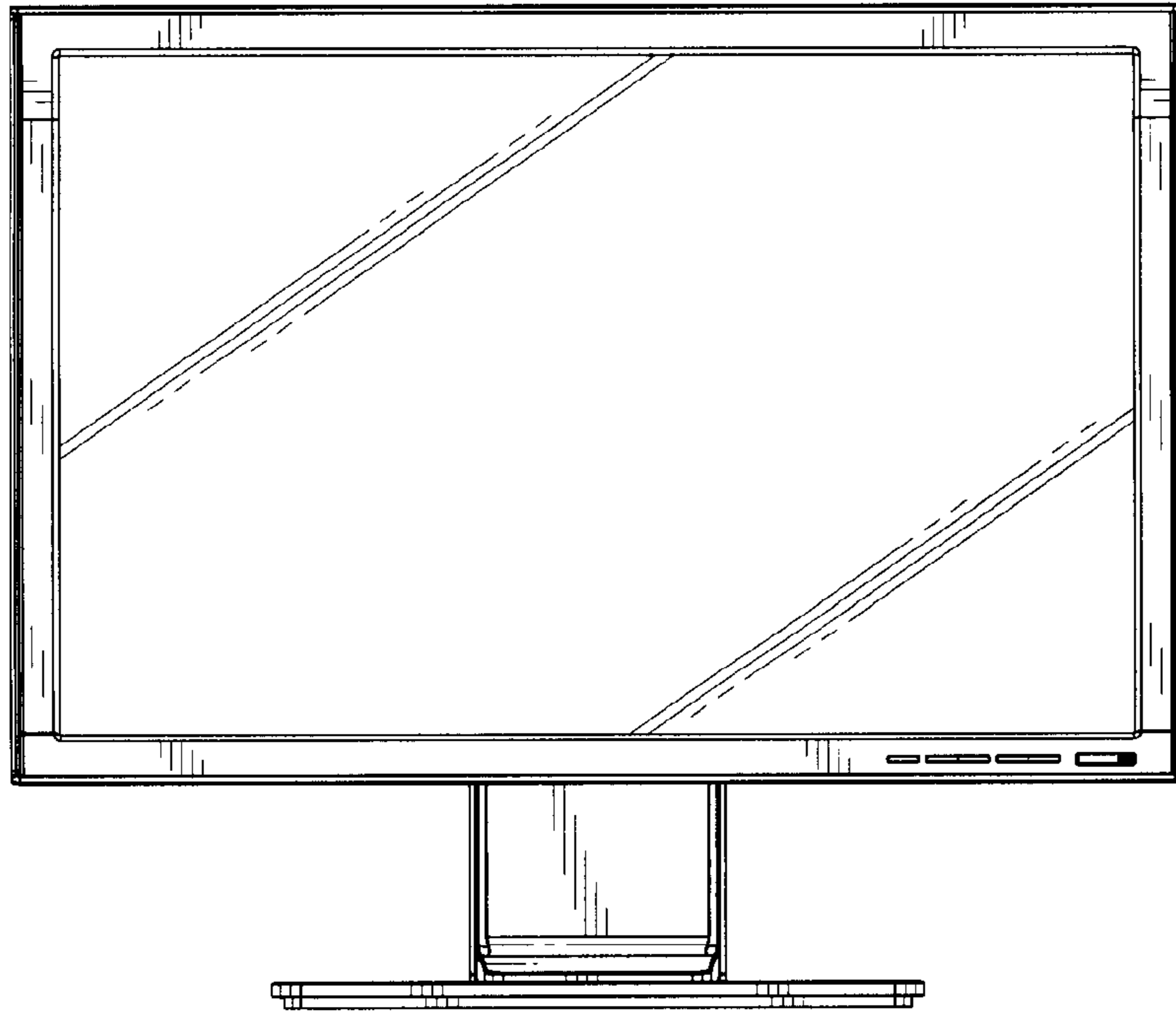


FIG. 2

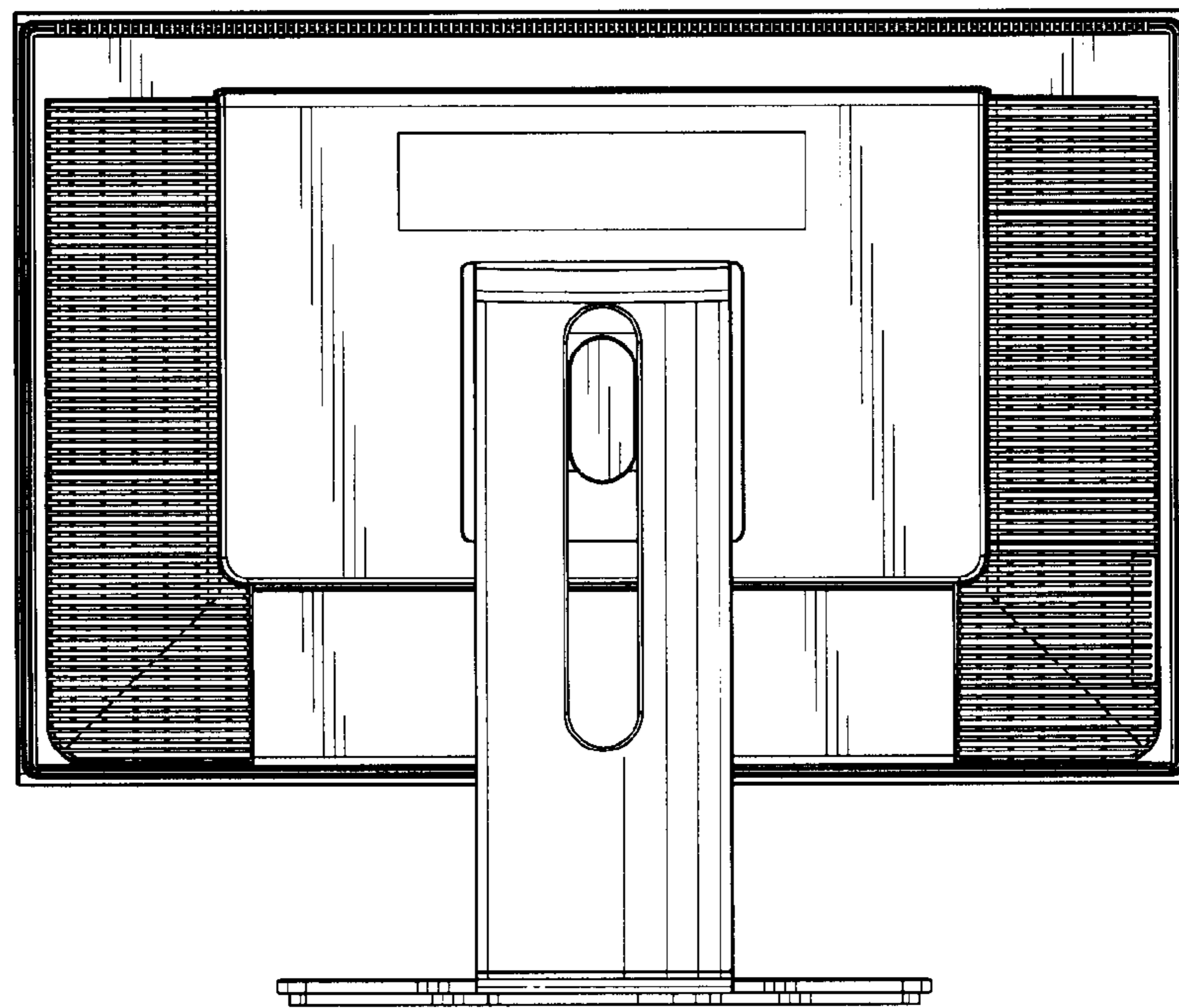


FIG. 3

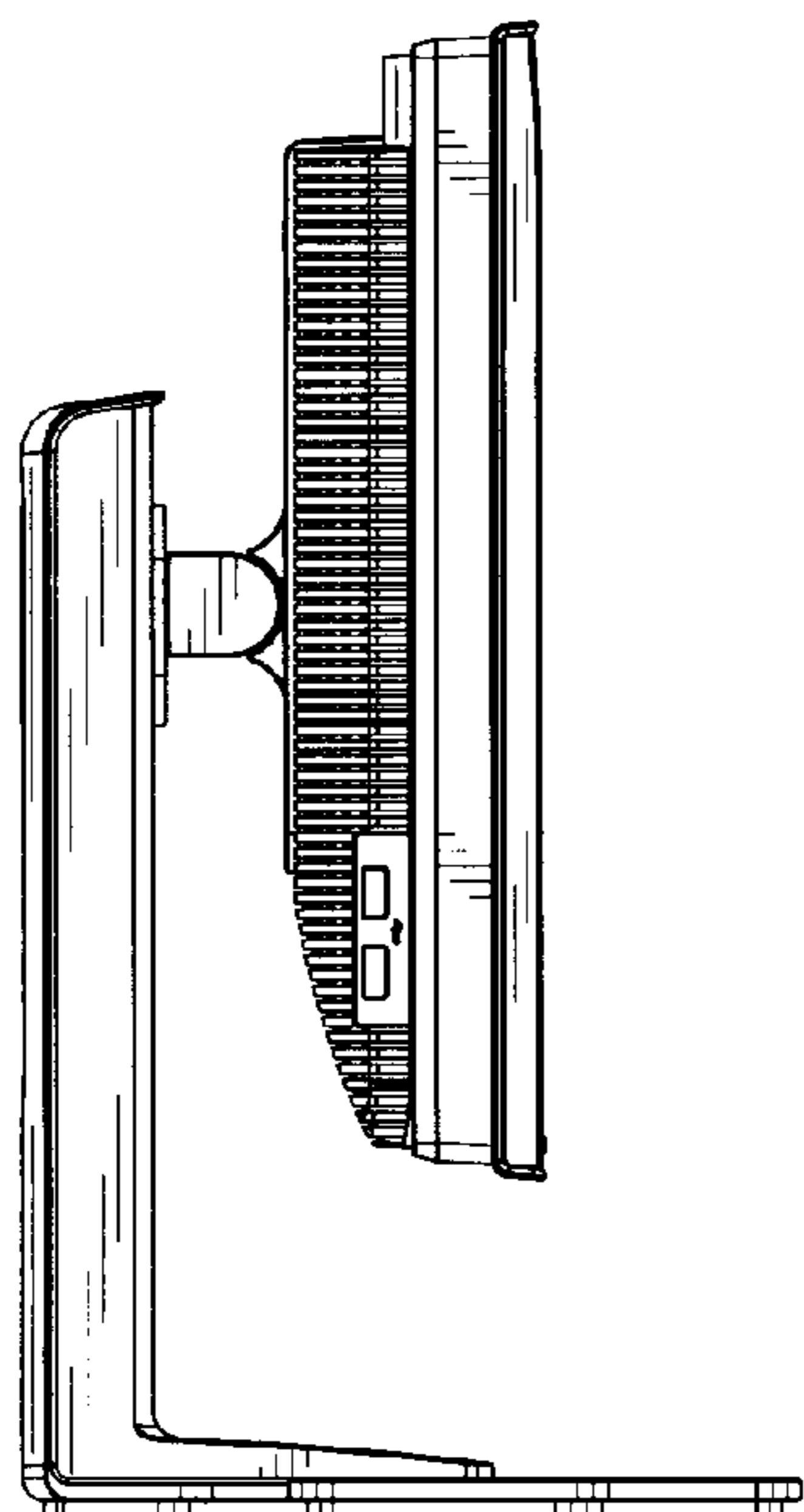


FIG. 4

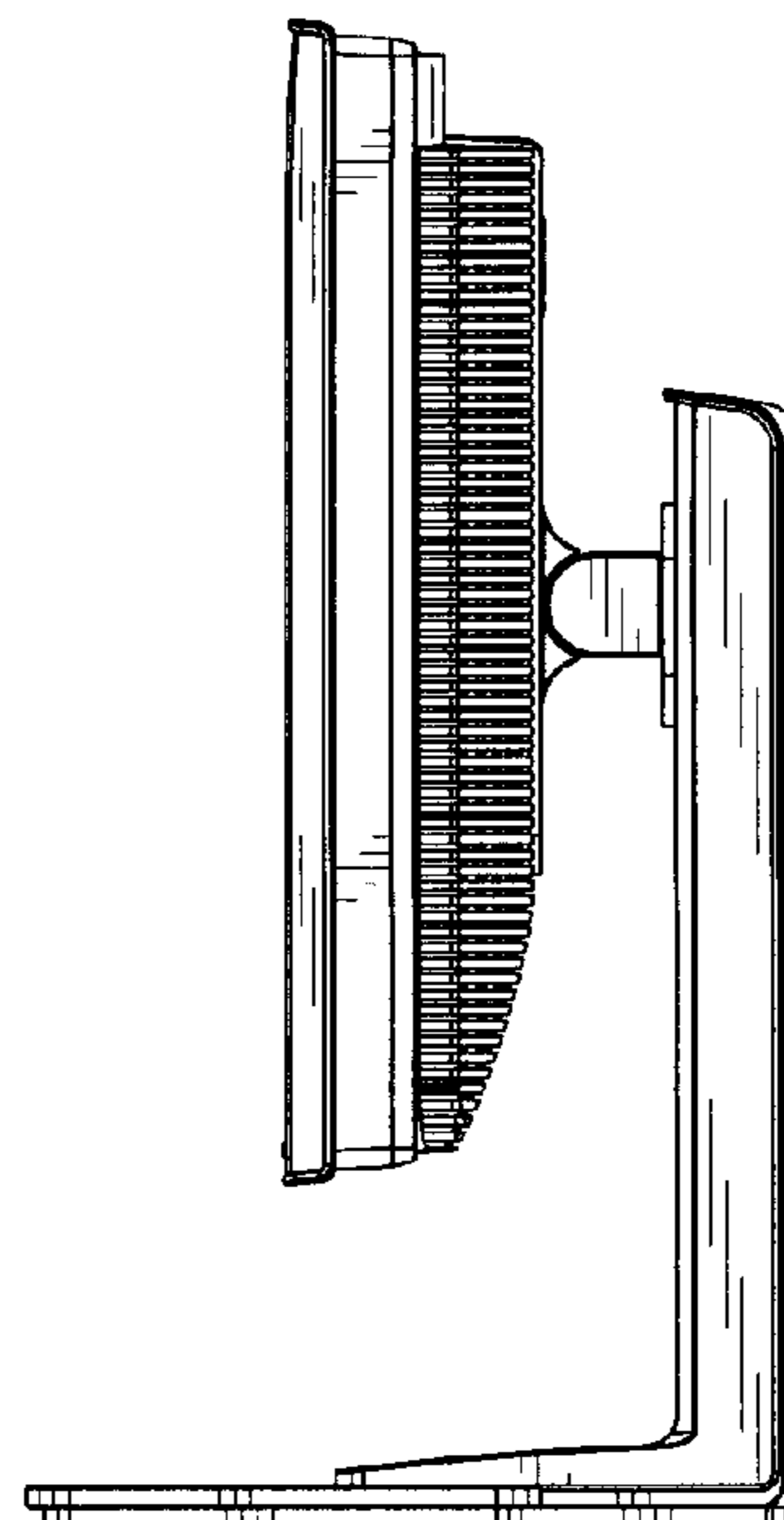


FIG. 5

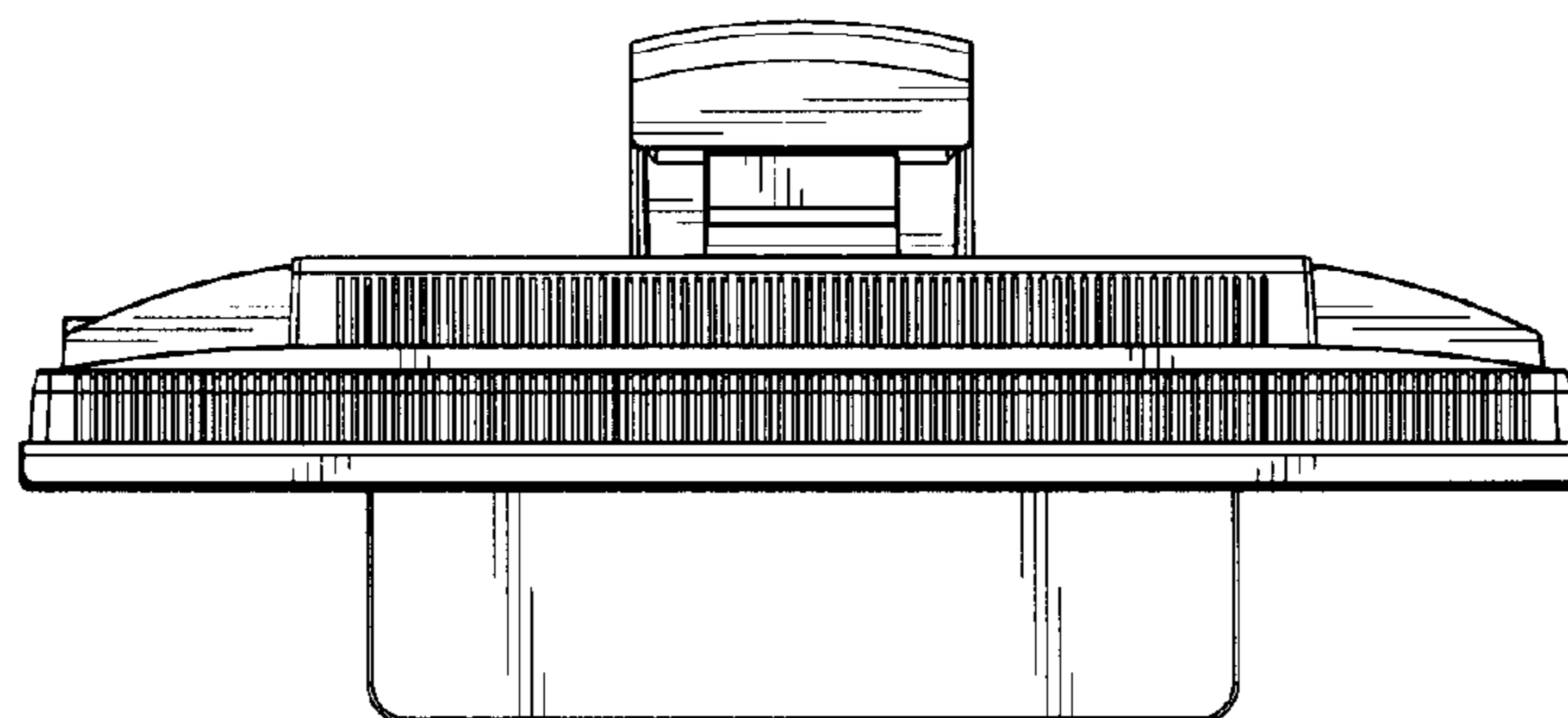


FIG. 6

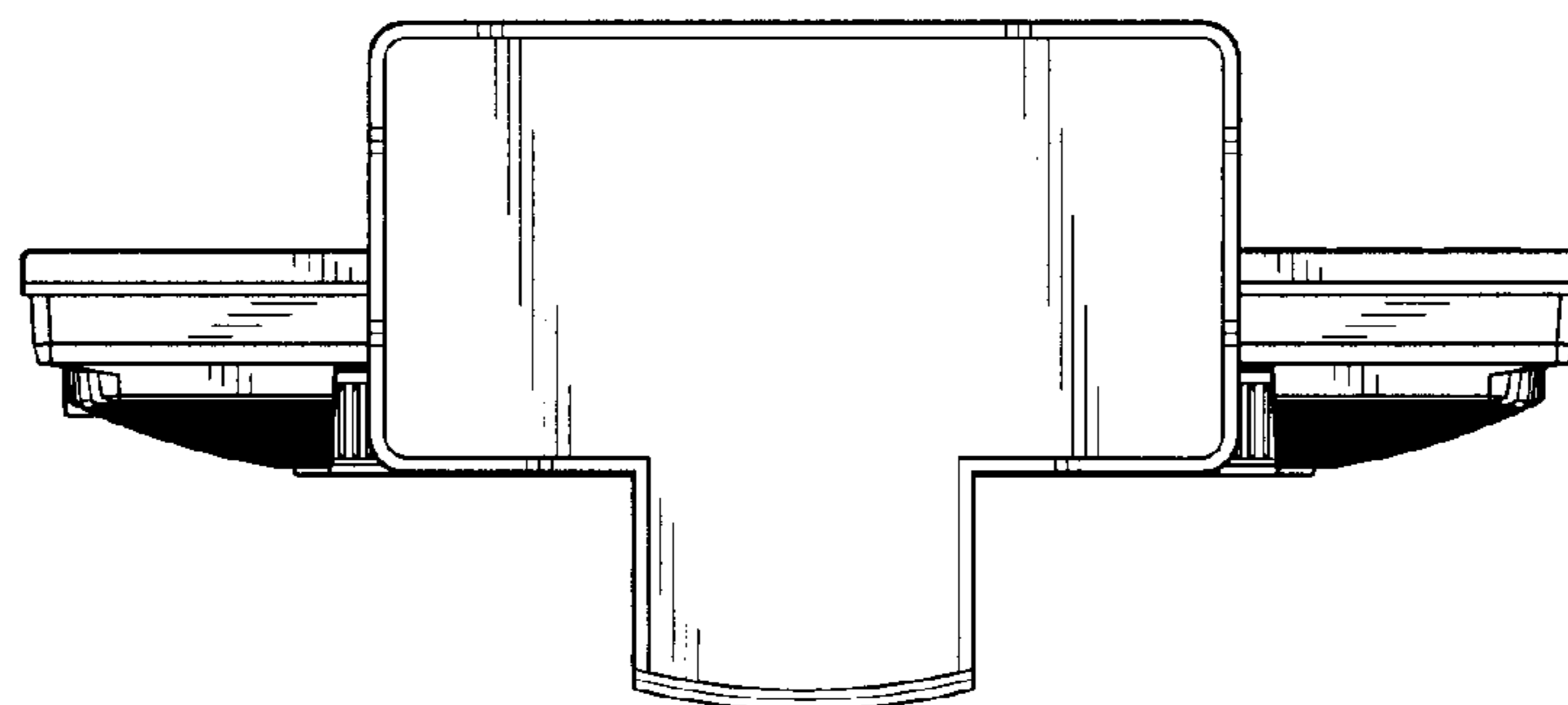


FIG. 7

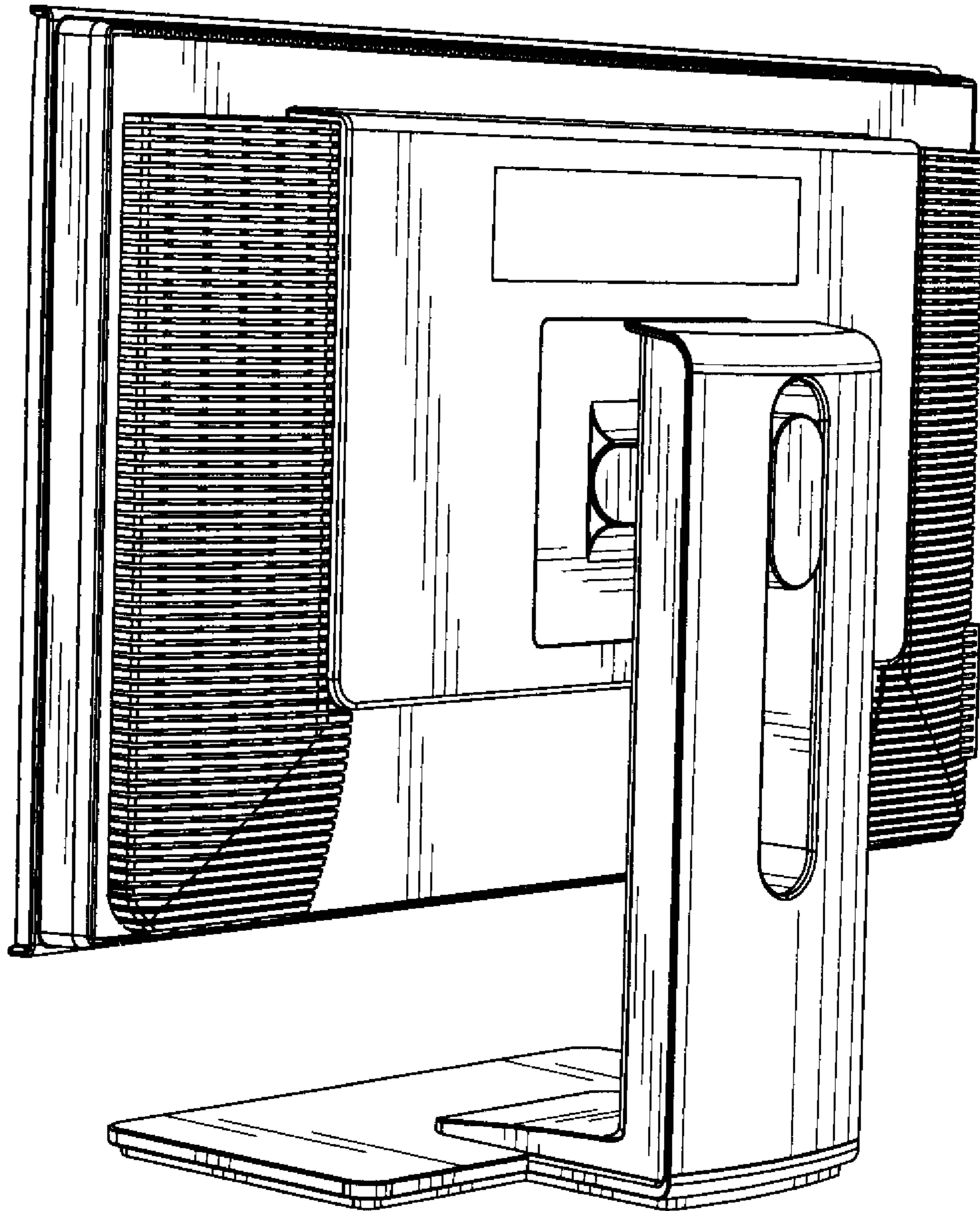


FIG. 8

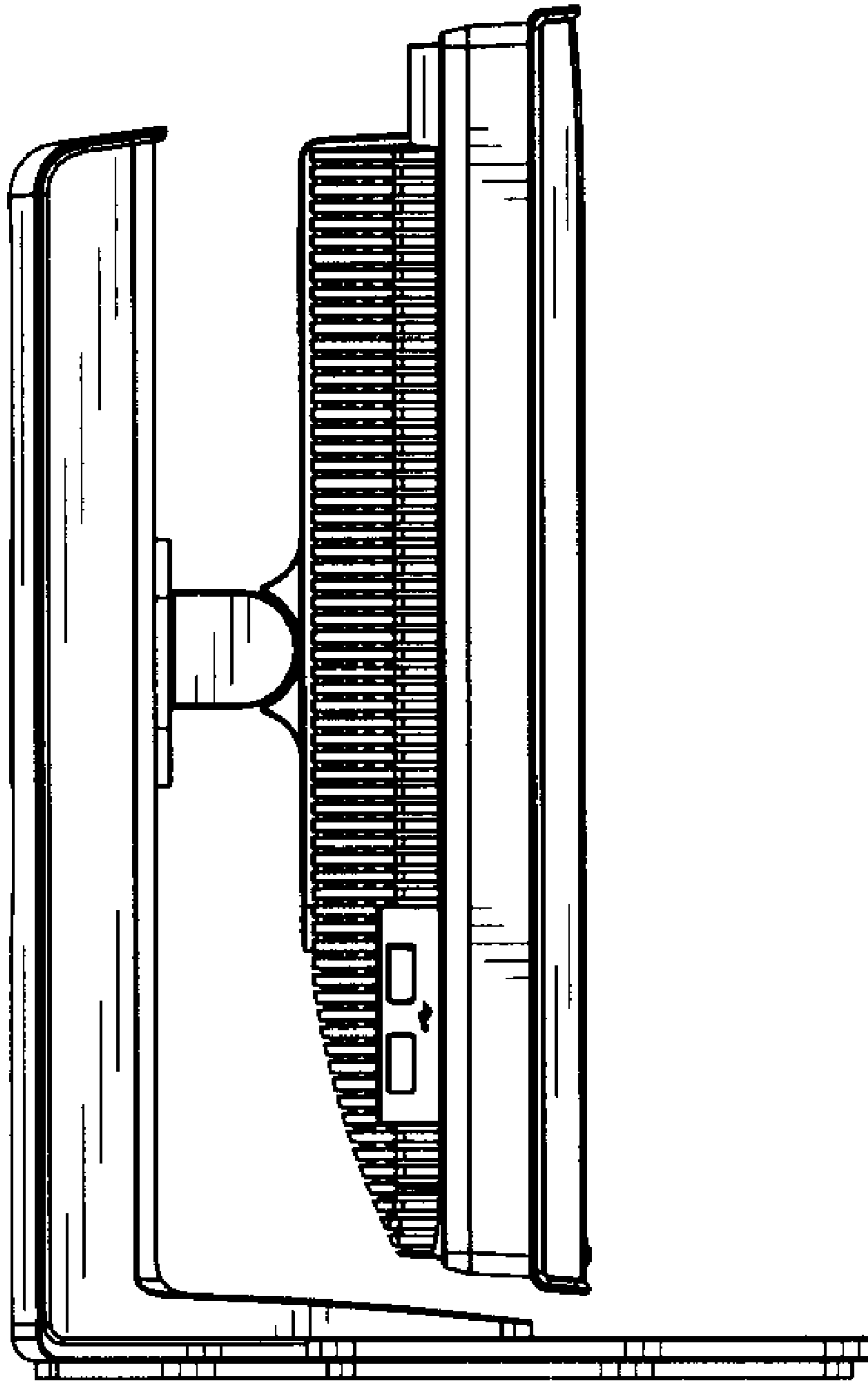


FIG. 9