

US00D558199S

(12) **United States Design Patent** (10) **Patent No.:** **US D558,199 S**
Fiorentino (45) **Date of Patent:** **** Dec. 25, 2007**

(54) **USB FLASH MEMORY DEVICE AND CARRIER**

(75) Inventor: **Carl F. Fiorentino**, Miami, FL (US)

(73) Assignee: **Ultra Products, Inc.**, Fletcher, OH (US)

(**) Term: **14 Years**

(21) Appl. No.: **29/275,044**

(22) Filed: **Dec. 11, 2006**

(51) **LOC (8) Cl.** **14-02**

(52) **U.S. Cl.** **D14/356**

(58) **Field of Classification Search** D14/137,
D14/156, 167, 240, 242, 299, 348, 356, 384-5,
D14/402, 432-6, 496; 257/315; 439/518,
439/139, 141, 144, 140, 638; 365/63, 131;
710/74, 62; 361/685-6

See application file for complete search history.

(56) **References Cited**

U.S. PATENT DOCUMENTS

D287,253 S *	12/1986	Satake	D18/12
D305,717 S *	1/1990	Soren et al.	D13/103
5,155,663 A *	10/1992	Harase	361/684
5,574,859 A *	11/1996	Yeh	710/300
6,567,273 B1 *	5/2003	Liu et al.	361/737
6,944,028 B1 *	9/2005	Yu et al.	361/737
D511,343 S *	11/2005	Solomon et al.	D14/356
7,009,847 B1 *	3/2006	Wu et al.	361/737
7,040,919 B2 *	5/2006	Yao	439/502
D526,651 S *	8/2006	Hoogerdijk	D14/436
7,136,288 B2 *	11/2006	Hoogerdijk	361/737
7,213,766 B2 *	5/2007	Ryan et al.	235/492
2005/0204086 A1 *	9/2005	Le et al.	710/301

OTHER PUBLICATIONS

D14 PDF Search: [apricorn.pdf—http://www.apricorn.com/full_images/aegis-mini-USB.jpg](http://www.apricorn.com/full_images/aegis-mini-USB.jpg), Jul. 6, 2007 [Card Disk_USB Flash drive.pdf—http://web.archive.org/web/20050205031117/http://card-media.co.uk/card+disk.htm](http://web.archive.org/web/20050205031117/http://card-media.co.uk/card+disk.htm), pp. 1-2, Feb. 5, 2007.*

[jkOnTheRun_November 2004.pdf—http://web.archive.org/web/20050405000049/http://jkontherun.blogs.com/jkontherun/2004/11/index.html](http://web.archive.org/web/20050405000049/http://jkontherun.blogs.com/jkontherun/2004/11/index.html), Apr. 5, 2005.*

[OCZ Technology_Products_Flash Media_OCZ Ultra-Slim, Large-Capacity Meg.pdf—http://web.archive.org/web/20061004132947/http://www.oczt.cz/ultra_slim-large_capacity_mega_kart_usb_2_0_flash_card](http://web.archive.org/web/20061004132947/http://www.oczt.cz/ultra_slim-large_capacity_mega_kart_usb_2_0_flash_card), pp. 1-2, Oct. 4, 2006.*

[PQI Memory Intelligent Stick Pro 170 512MB USB Flash Drive—PCSTATS.com.pdf—http://www.pcstats.com/articleview.cfm?articleID=1908](http://www.pcstats.com/articleview.cfm?articleID=1908), pp. 1-4, Jul. 11 2007 [USB Flash Drive.pdf—http://www.wallex.com](http://www.wallex.com), pp. 1-4.*

* cited by examiner

Primary Examiner—Robin V Webster

Assistant Examiner—Karen E Kearney

(74) *Attorney, Agent, or Firm*—Greenberg Traurig, LLP

(57) **CLAIM**

The ornamental design for a USB flash memory device and carrier, as shown and described.

DESCRIPTION

FIG. 1 is a perspective view of a USB flash memory device and carrier in accordance with my new design.

FIG. 2 is an exploded perspective view thereof, wherein the USB flash memory device is shown separate and disengaged from its carrier.

FIG. 3 is a top view thereof.

FIG. 4 is a front view thereof.

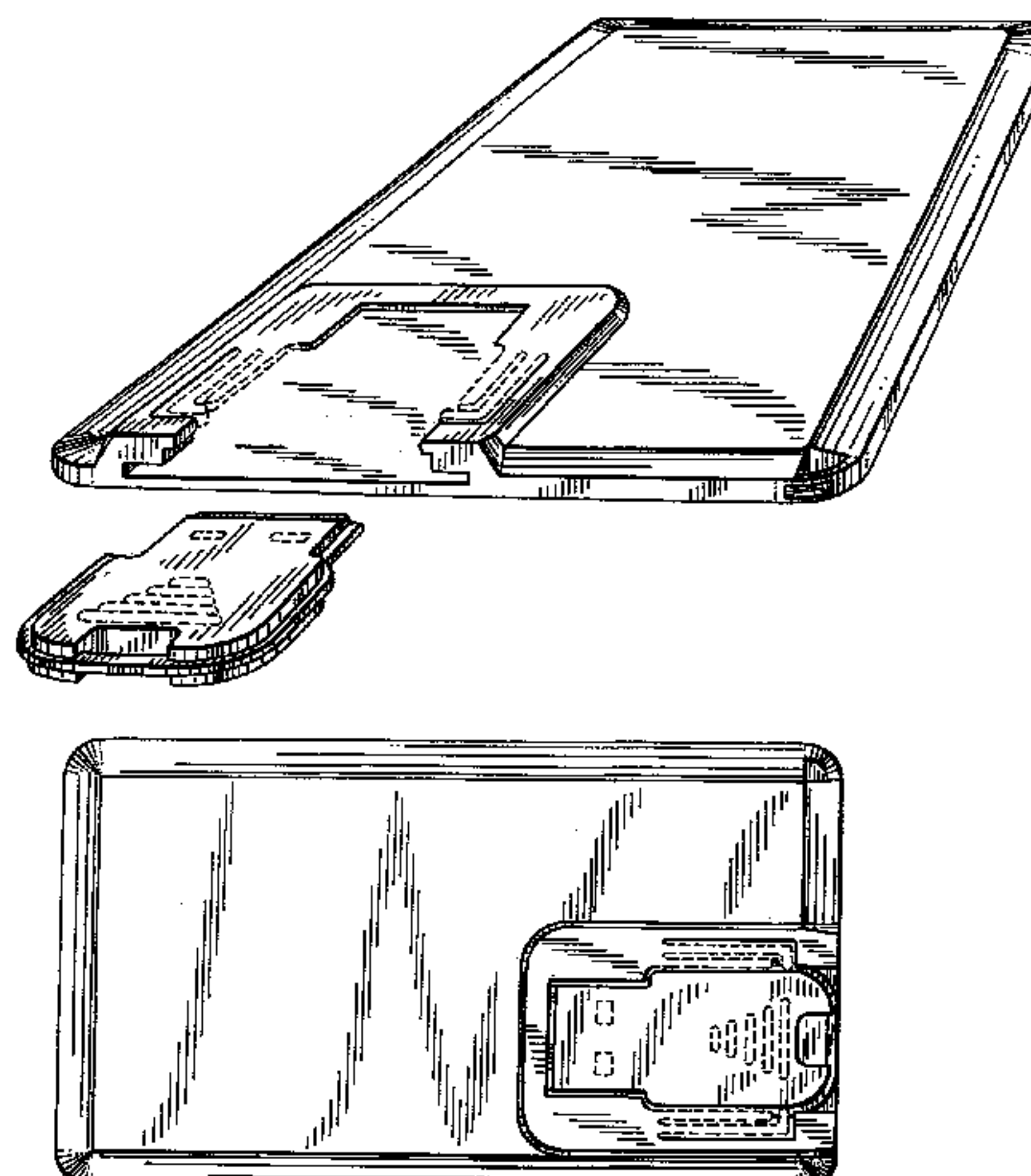
FIG. 5 is a right side view thereof.

FIG. 6 is a left side view thereof; and,

FIG. 7 is a bottom view thereof.

The broken lines outlining electrical contacts, raised gripping surfaces, and attachment points between the USB flash memory device and carrier shown in FIGS. 1-6 are for illustrative purposes only and form no part of the claimed design.

1 Claim, 4 Drawing Sheets



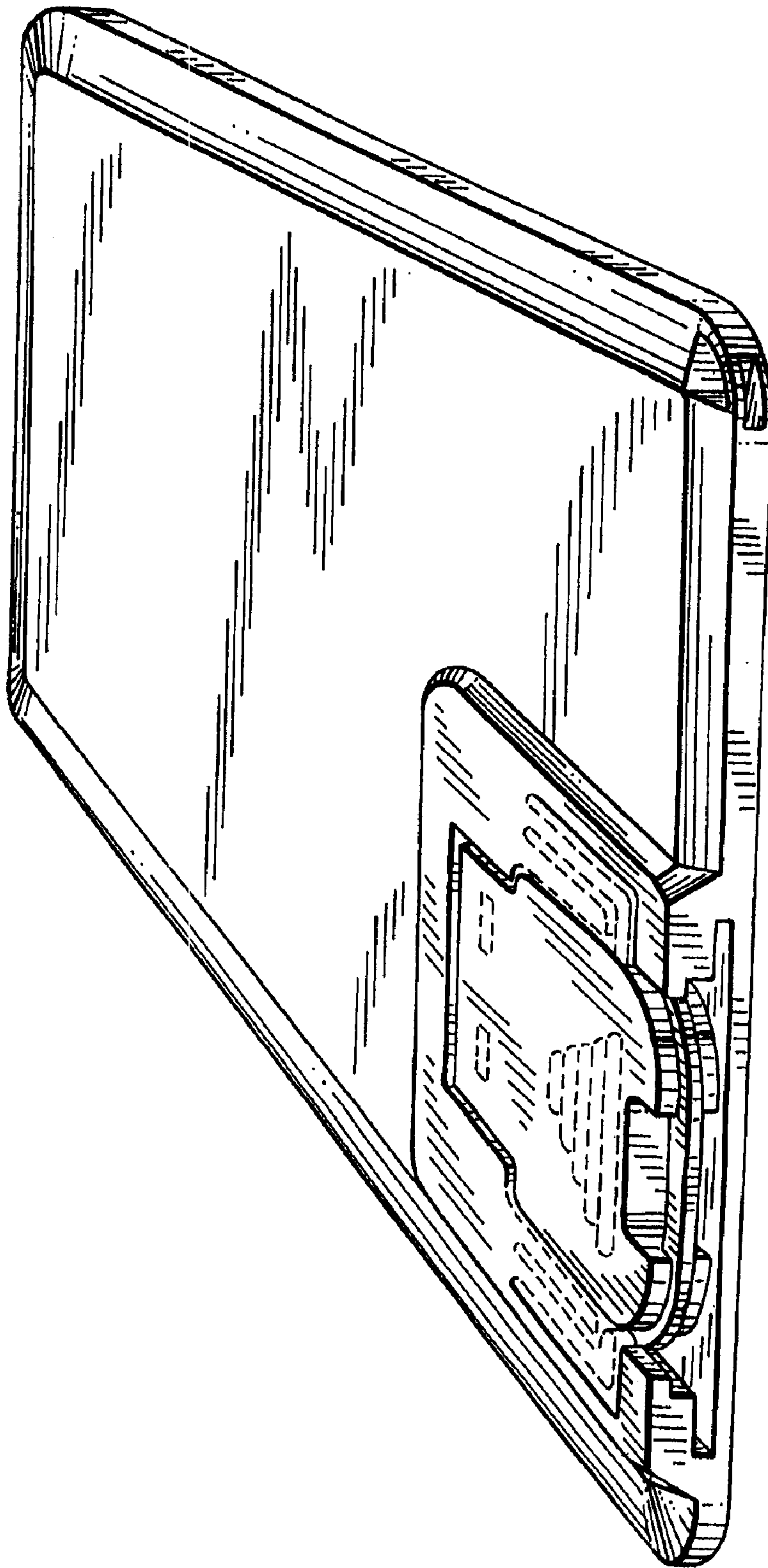


FIG.1

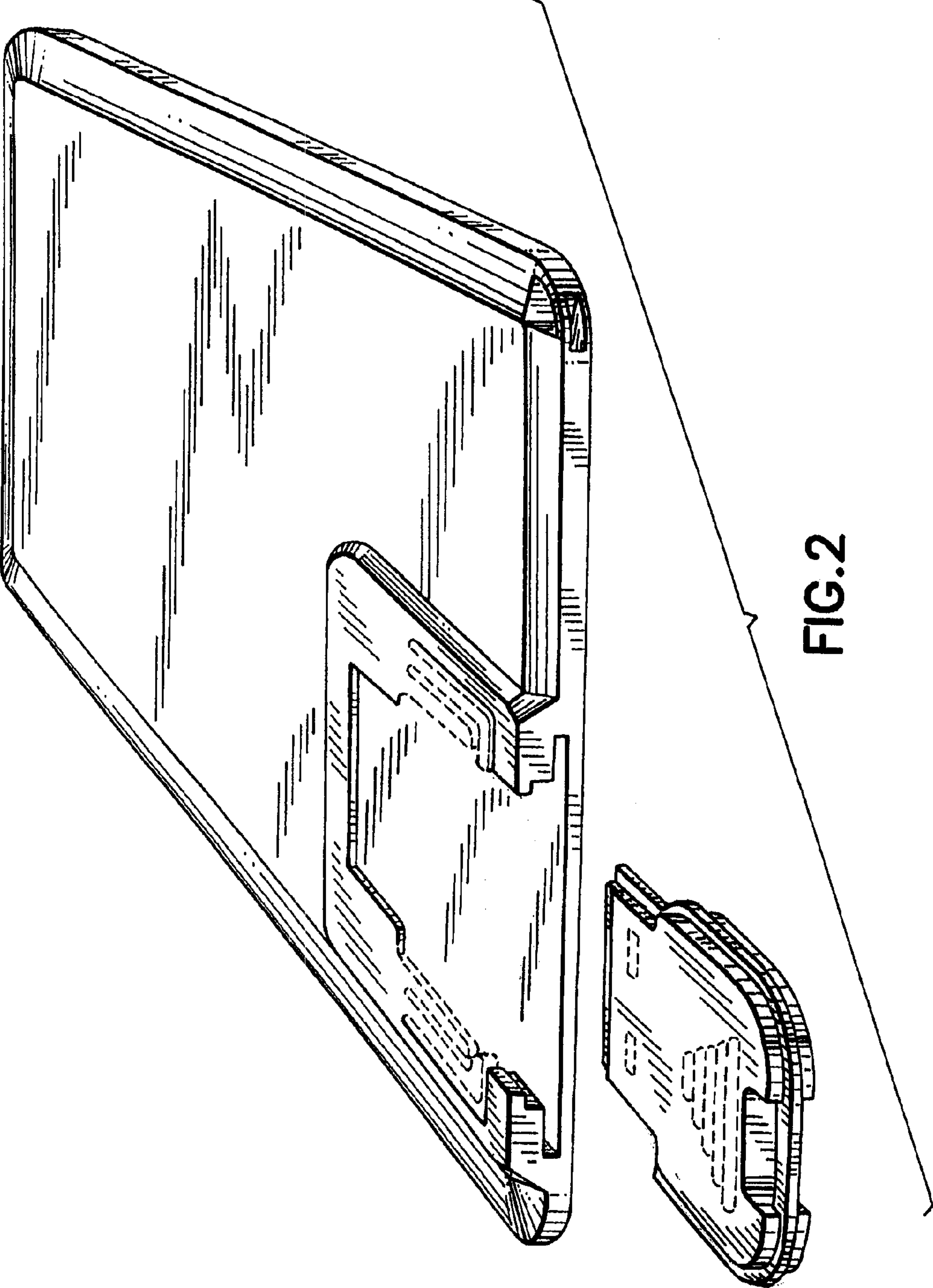


FIG.2



FIG. 5

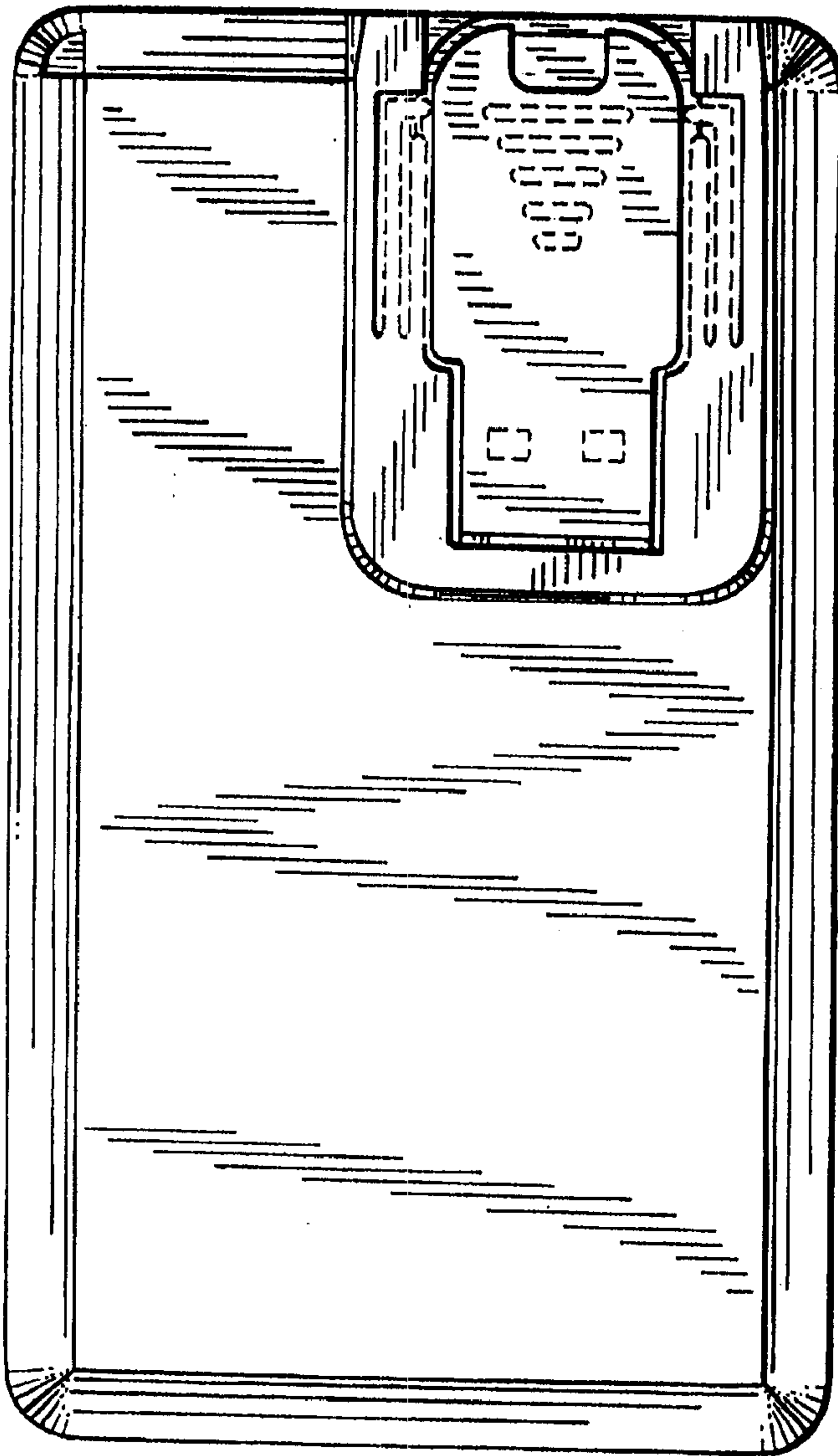


FIG. 3



FIG. 4

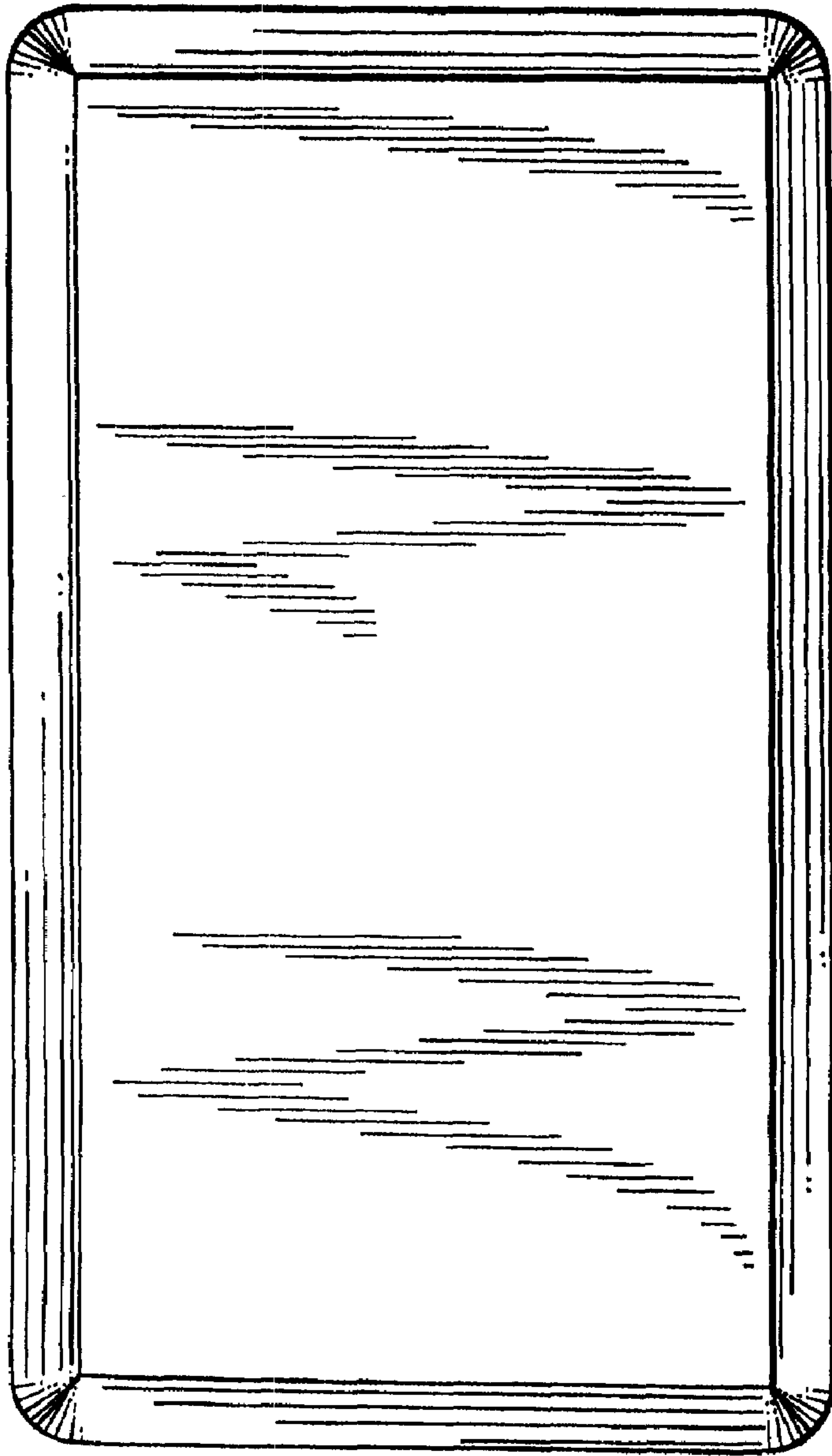


FIG. 6

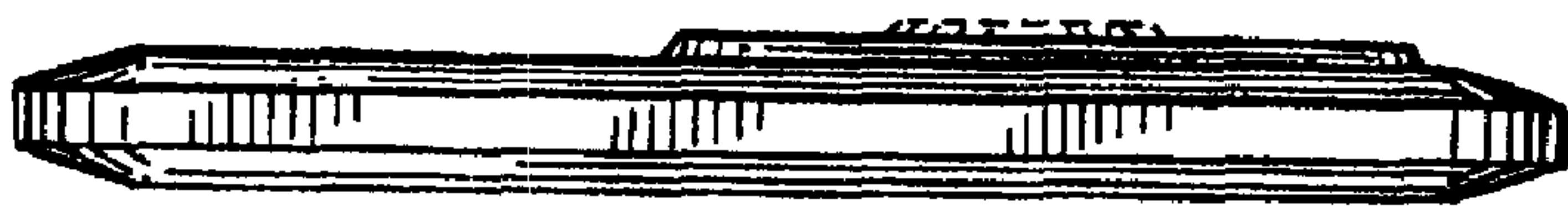


FIG. 7