



US00D558198S

(12) **United States Design Patent** (10) **Patent No.:** **US D558,198 S**
Blankenship et al. (45) **Date of Patent:** **** Dec. 25, 2007**

(54) **WRIST BAND DATA STORAGE DEVICE**

(75) Inventors: **Tren Blankenship**, White Bear Lake, MN (US); **Steven C. Swenson**, Champlin, MN (US)

(73) Assignee: **Imation Corp.**, Oakdale, MN (US)

(**) Term: **14 Years**

(21) Appl. No.: **29/252,111**

(22) Filed: **Jan. 17, 2006**

(51) **LOC (8) Cl.** **14-02**

(52) **U.S. Cl.** **D14/356; D11/2**

(58) **Field of Classification Search** D14/137, D14/156, 167, 240, 242, 299, 348, 356, 384-5, D14/402, 432-435, 496; 257/315; 439/518, 439/139, 141, 144, 140, 638; 365/63, 131; 710/74, 62; 361/685-6; D11/2-5, 14, 26, D11/9; D10/32; 63/3, 3.1, 3.2, 7, 15, 15.1, 63/15.9, 21; 224/175

See application file for complete search history.

(56) **References Cited**

U.S. PATENT DOCUMENTS

145,164	A *	12/1873	Fobes	63/7
169,929	A *	11/1875	Thomson	63/3
291,519	A *	1/1884	Jones	63/7
1,051,903	A *	2/1913	Mason	63/7
2,045,282	A *	6/1936	Metcalf	63/7
D118,833	S *	2/1940	Pierson	D28/46
2,306,317	A *	12/1942	Morrow	63/7
2,582,878	A *	1/1952	Metcalf	63/7
2,954,620	A *	10/1960	Schneider	40/633
D480,653	S *	10/2003	Lo	D10/32
6,725,282	B1	4/2004	Grzybowski et al.	
6,769,038	B1	7/2004	Grzybowski et al.	
D497,565	S *	10/2004	Pink	D11/4
6,801,476	B2	10/2004	Gilmour	
2005/0066563	A1 *	3/2005	Juhan et al.	40/633
2005/0237704	A1 *	10/2005	Ceresoli	361/683

OTHER PUBLICATIONS

D14 PDF Search: USB Bracelet.pdf—http://blog.jempp.com.au/uploaded_images/printed-usb-bracelet-770743.jpg, Aug. 11, 2006,

wristband.pdf—[http://www.gadgetreporter.com/images/wristband.jpg](http://web.archive.org/web/20060521094645/http://www.gadgetreporter.com/images/wristband.jpg), May 21, 2006.*

USB Flash Wristbands.pdf—http://hongjing168.en.alibaba.com/product/50080805/50659447/Electronic_Products_Series/USB_Flash_Wristbands/showing.html, Dec. 13, 2006.*

USB Wrist Bands.pdf—http://joyplus.en.alibaba.com/product/50166650/51137995/USB_Flash_Drives/USB_Wrist_Band/showing.html, Dec. 13, 2006.*

Dialog05 presents universal connections_bracelet.pdf—<http://www.dialog05.com/objects/10.html>, Aug. 23, 2006.*

* cited by examiner

Primary Examiner—Robin Webster

Assistant Examiner—Karen E Kearney

(74) *Attorney, Agent, or Firm*—Eric D. Levinson

(57) **CLAIM**

The ornamental design for a wrist band data storage device, as shown and described.

DESCRIPTION

FIG. 1 is a perspective view of a clasped wrist band data storage device illustrating the new design;

FIG. 2 is a right side view thereof; where a left side view is not presented, as it is a mirror image of the right side view;

FIG. 3 is a top side view thereof;

FIG. 4 is a bottom side view thereof;

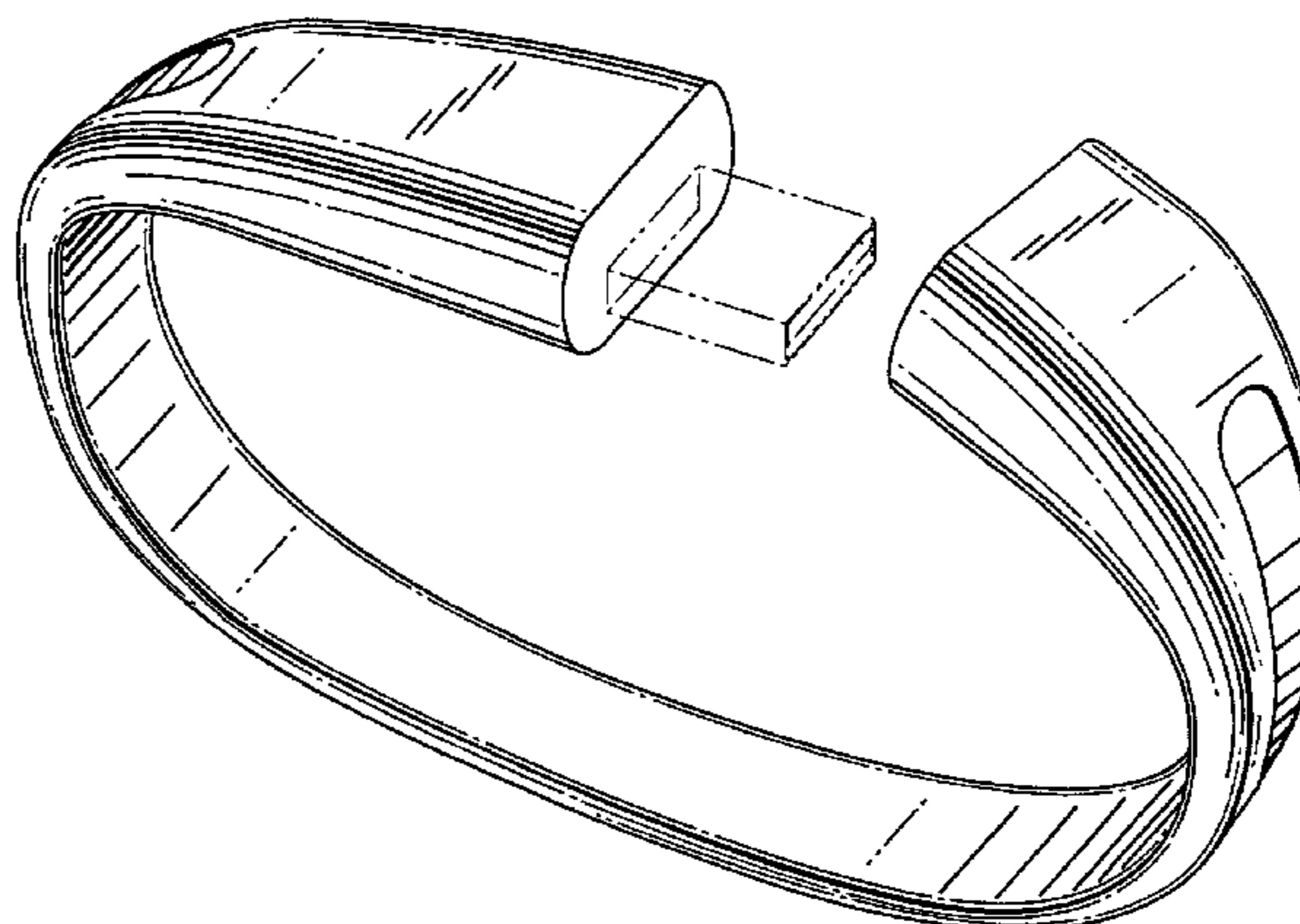
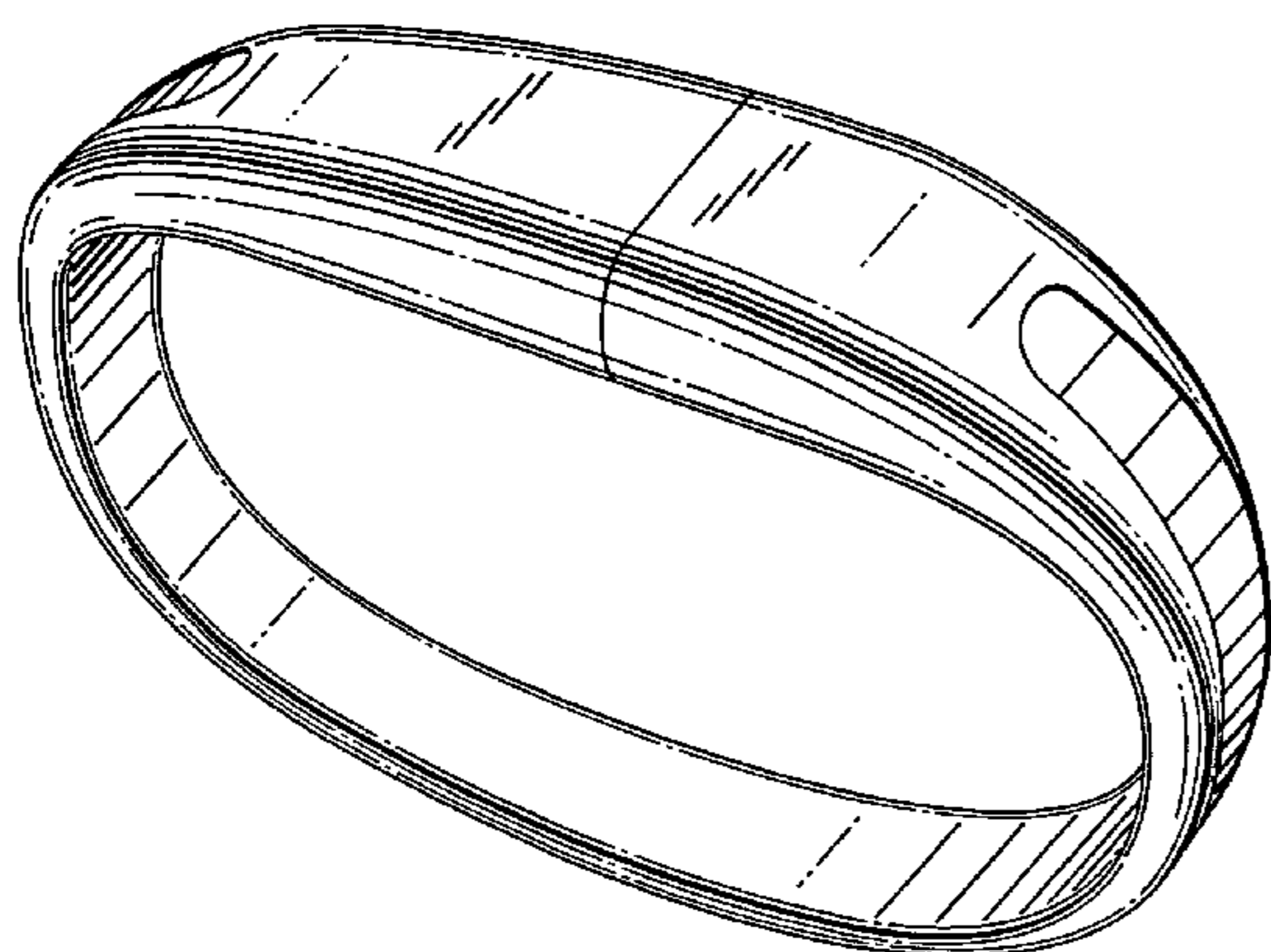
FIG. 5 is a front view thereof;

FIG. 6 is a rear view thereof; and,

FIG. 7 is a perspective view of an unclasped wrist band data storage device illustrating the new design.

In FIG. 7, the broken lines showing a data port of the wrist band data storage device are for illustrative purposes only and form no part of the claimed design.

1 Claim, 4 Drawing Sheets



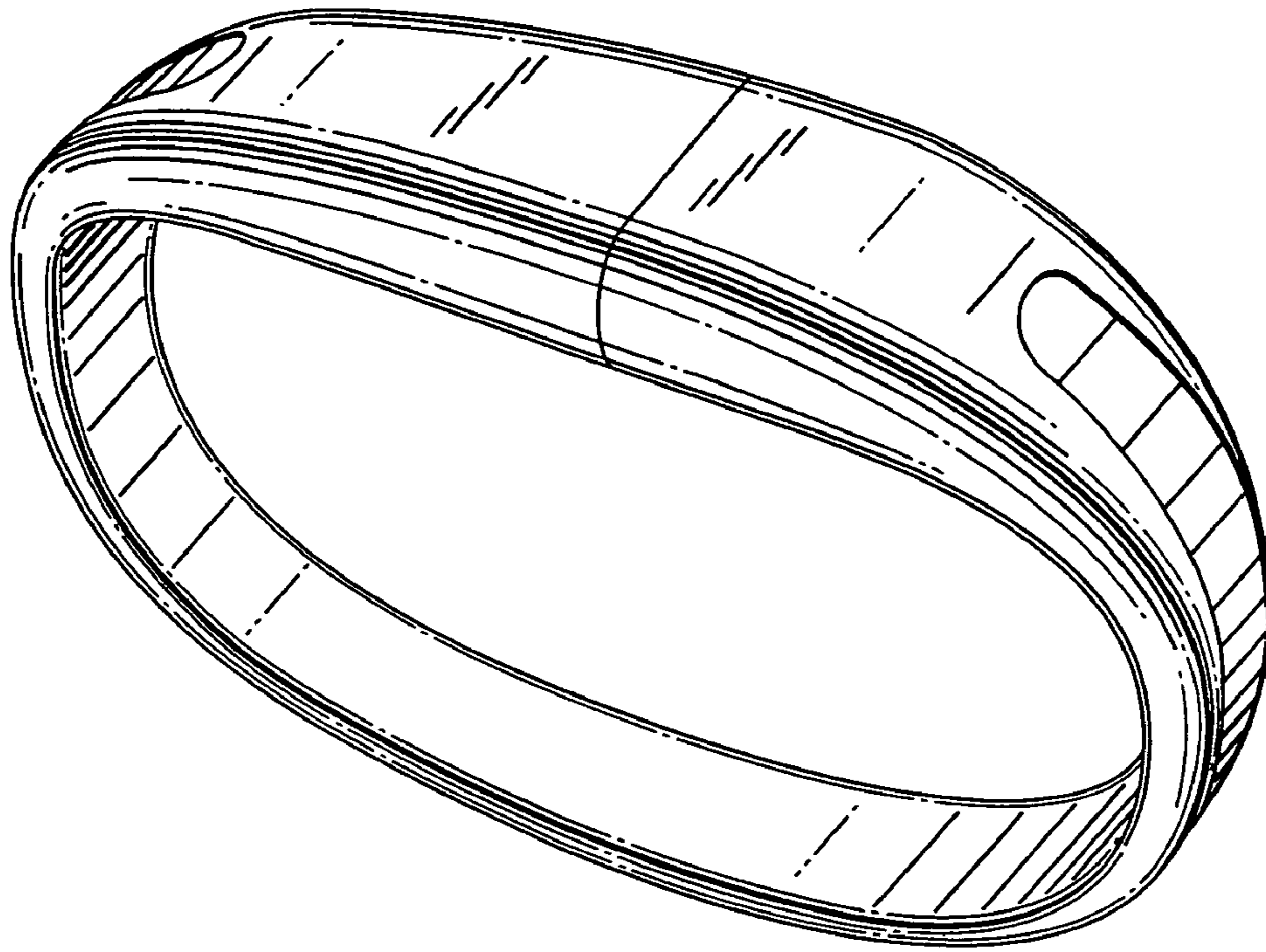


Fig. 1

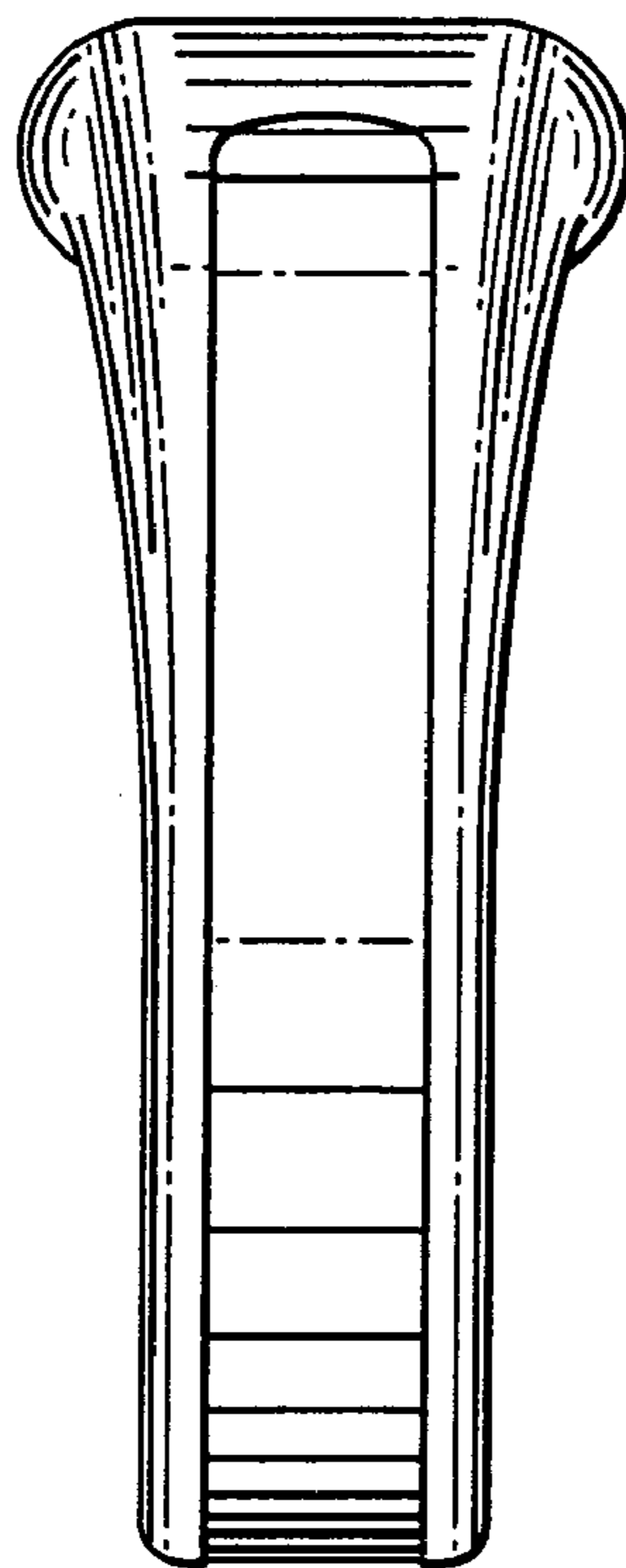


Fig. 2

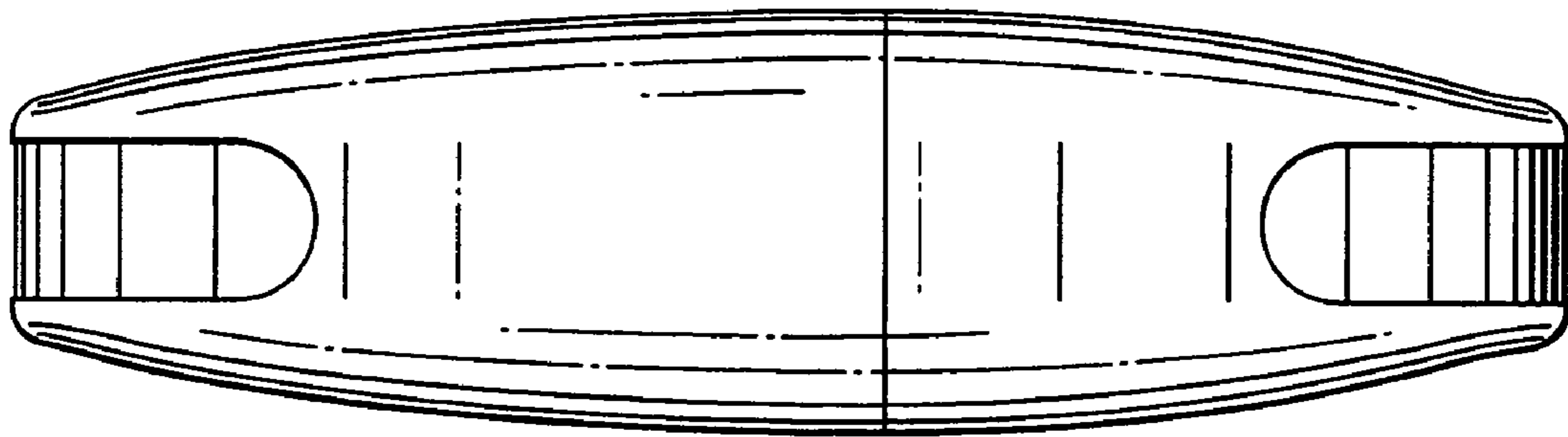


Fig. 3

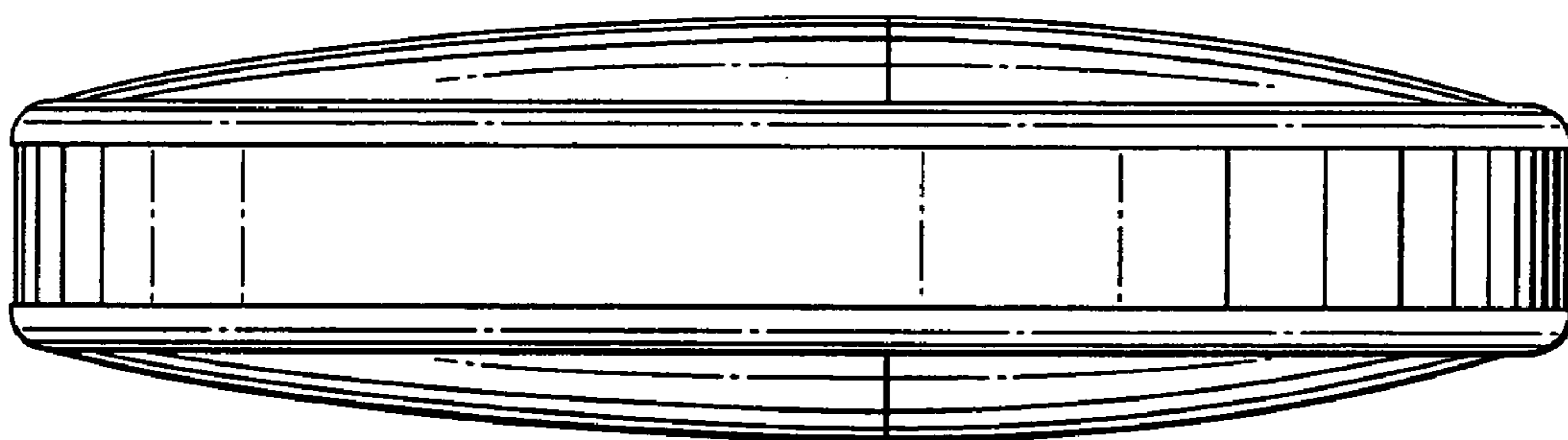


Fig. 4

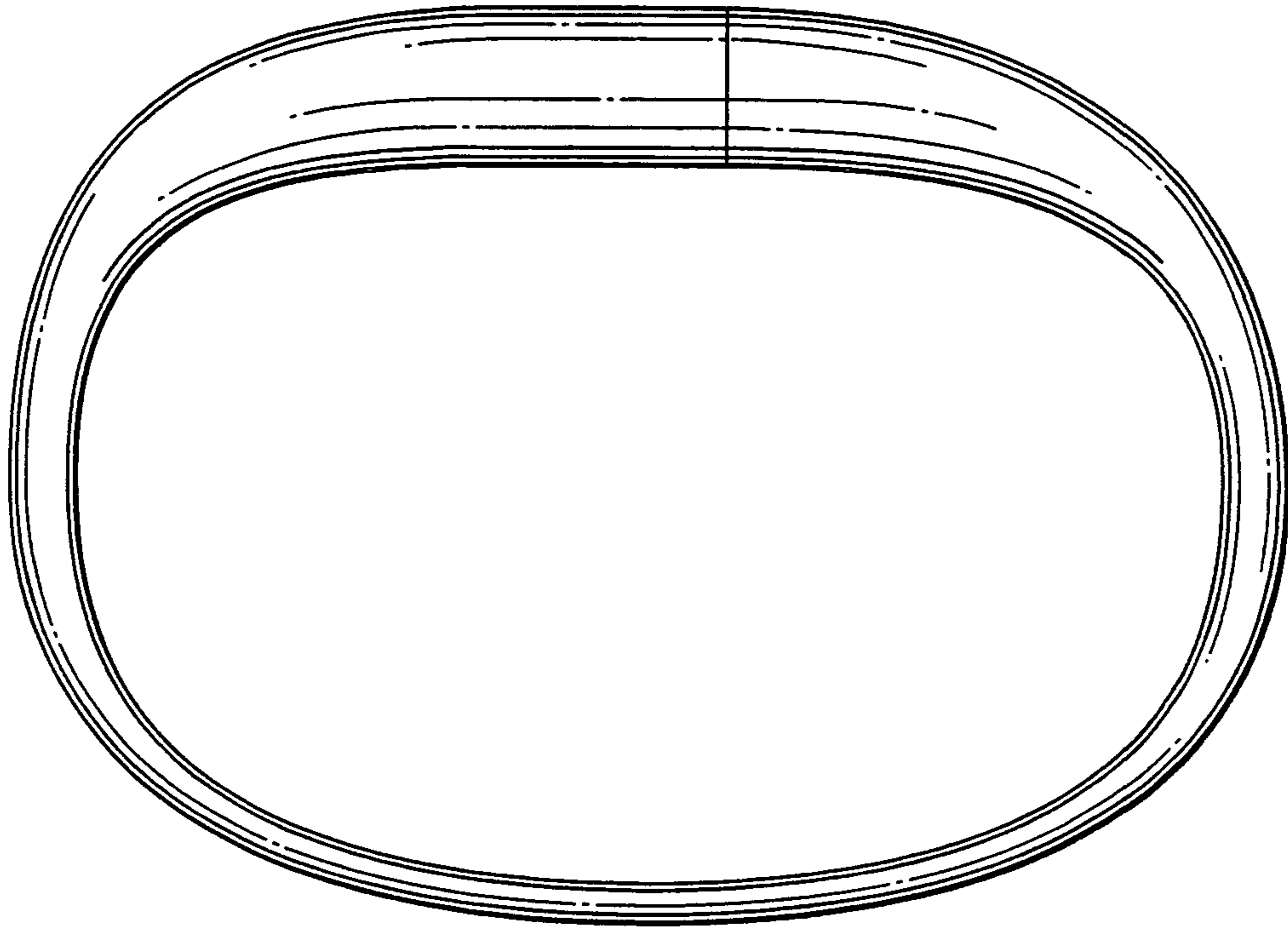


Fig. 5

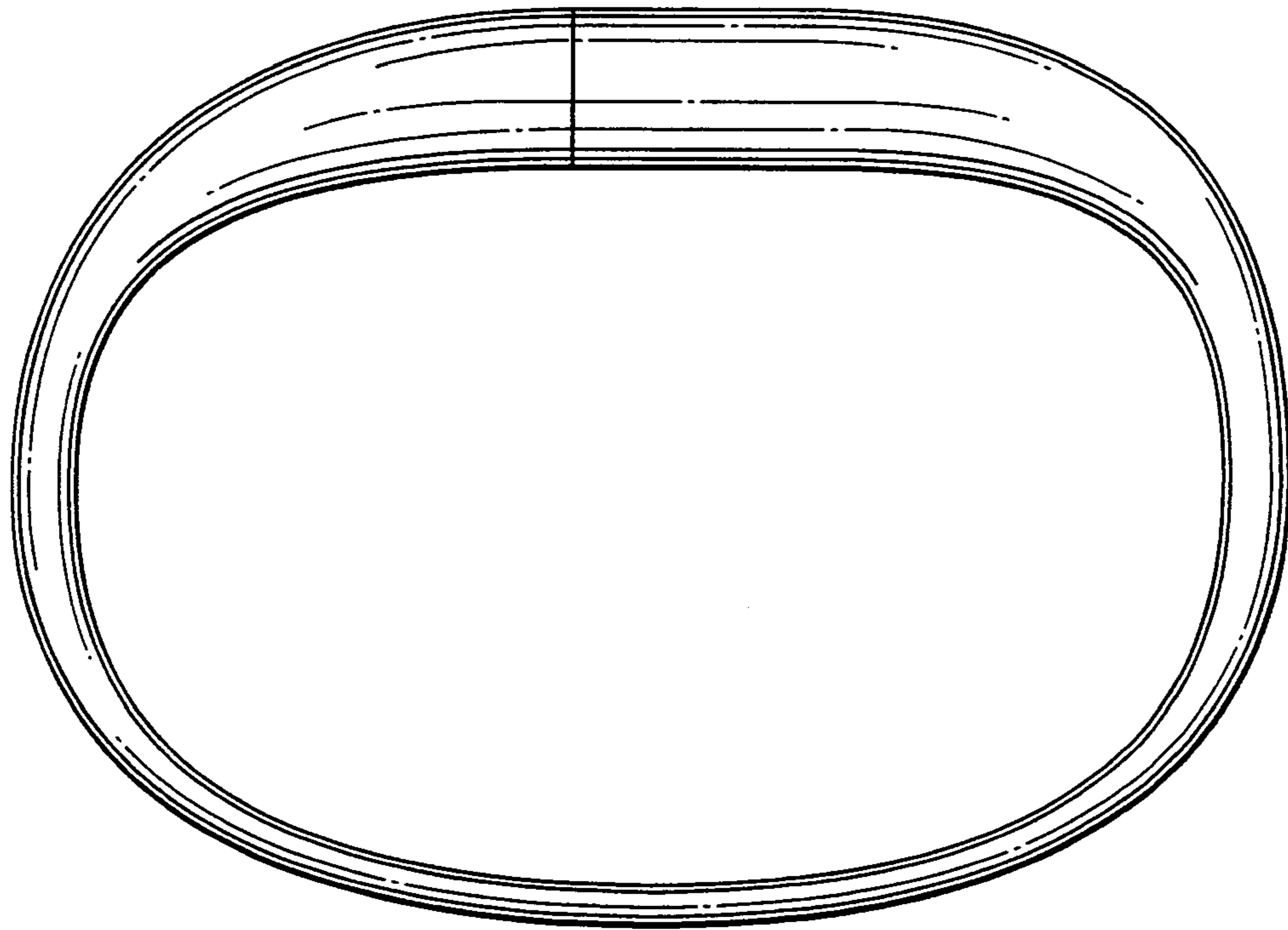


Fig. 6

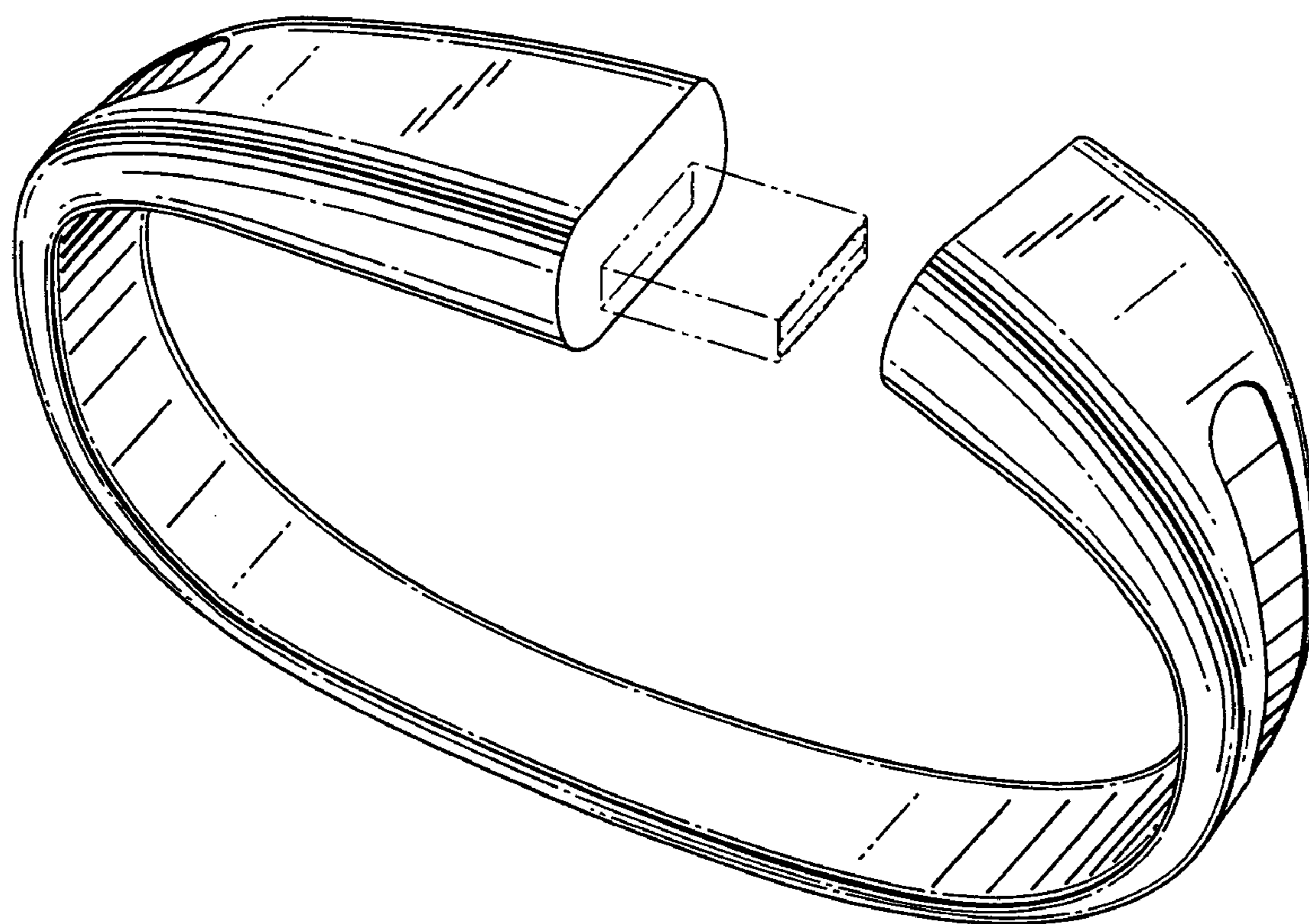


Fig. 7