



US00D558196S

(12) **United States Design Patent**  
**Kaneko et al.**

(10) **Patent No.:** **US D558,196 S**

(45) **Date of Patent:** **\*\* Dec. 25, 2007**

(54) **SOUND AMPLIFIER**

(75) Inventors: **Katsuyuki Kaneko**, Tokyo (JP); **Jun Aruga**, Yokohama (JP)

(73) Assignee: **Victor Company of Japan, Limited**, Yokohama (JP)

(\*\*) Term: **14 Years**

(21) Appl. No.: **29/254,683**

(22) Filed: **Feb. 28, 2006**

(30) **Foreign Application Priority Data**

Aug. 29, 2005 (JP) ..... D2005-024875

(51) **LOC (8) Cl.** ..... **14-01**

(52) **U.S. Cl.** ..... **D14/257**

(58) **Field of Classification Search** ..... D14/257,  
D14/258, 224, 217, 198, 197, 193, 192, 188,  
D14/168, 167, 165, 164, 163, 162, 161, 160,  
D14/157, 156, 154, 136, 135; 720/691, 658,  
720/270; 455/344, 575.1; 396/434, 93;  
386/1; 369/93, 75.1; 360/47, 4; 359/550,  
359/258; 349/460, 159, 10

See application file for complete search history.

(56) **References Cited**

**U.S. PATENT DOCUMENTS**

D462,951 S \* 9/2002 Storti et al. .... D14/257

D521,991 S \* 5/2006 Storti et al. .... D14/257  
D538,798 S \* 3/2007 Kimura et al. .... D14/258  
D541,795 S \* 5/2007 Kimura et al. .... D14/258  
D544,860 S \* 6/2007 Kimura et al. .... D14/258

**FOREIGN PATENT DOCUMENTS**

JP 1140765 5/2002

\* cited by examiner

*Primary Examiner*—Robert M. Spear

*Assistant Examiner*—Katrina A Kile

(74) *Attorney, Agent, or Firm*—The Nath Law Group; Jerald L. Meyer; Derek Richmond

(57) **CLAIM**

The ornamental design for a sound amplifier, as shown and described.

**DESCRIPTION**

FIG. 1 is a perspective view of a sound amplifier;

FIG. 2 is a front view thereof;

FIG. 3 is a top plan view thereof;

FIG. 4 is a bottom view thereof;

FIG. 5 is a right side view thereof; and,

FIG. 6 is a left side view thereof.

The broken lines shown in the views are for illustrative purpose only and form no part of claimed design.

**1 Claim, 4 Drawing Sheets**

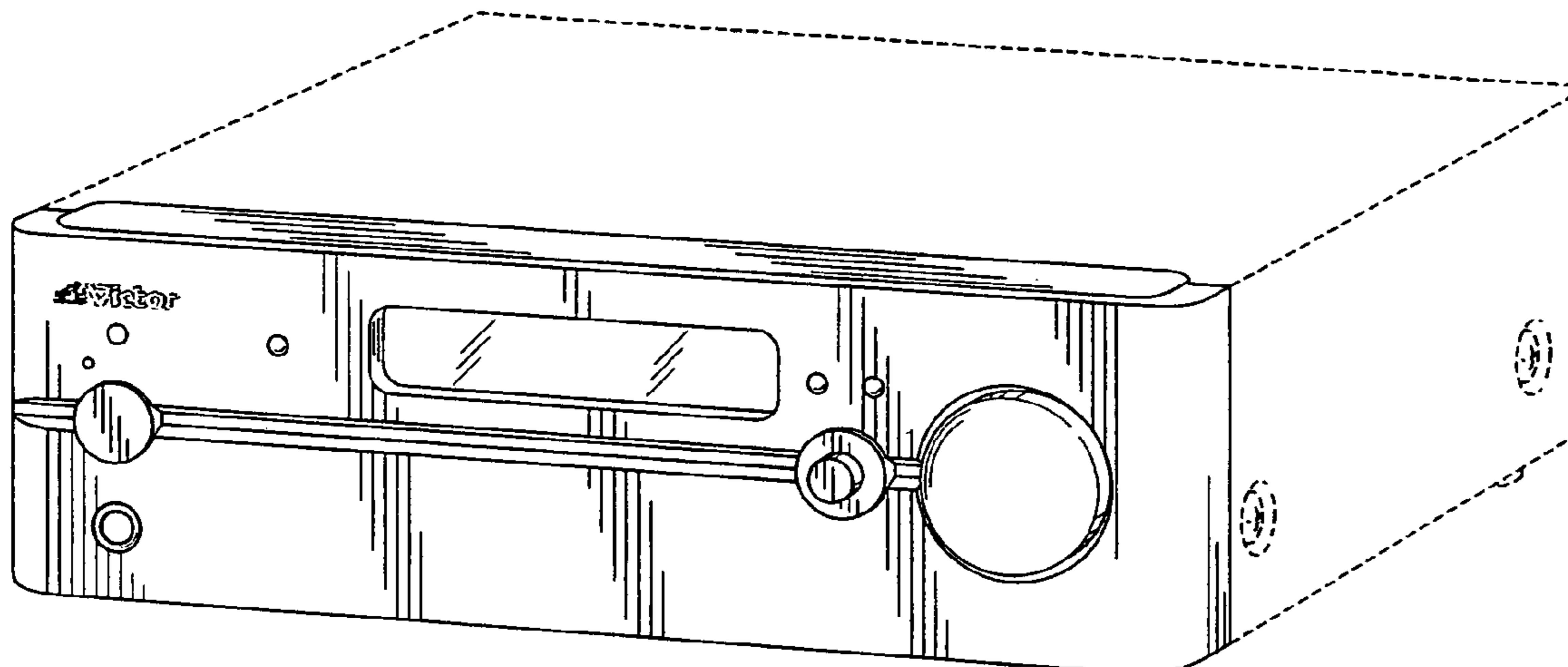


Fig.1

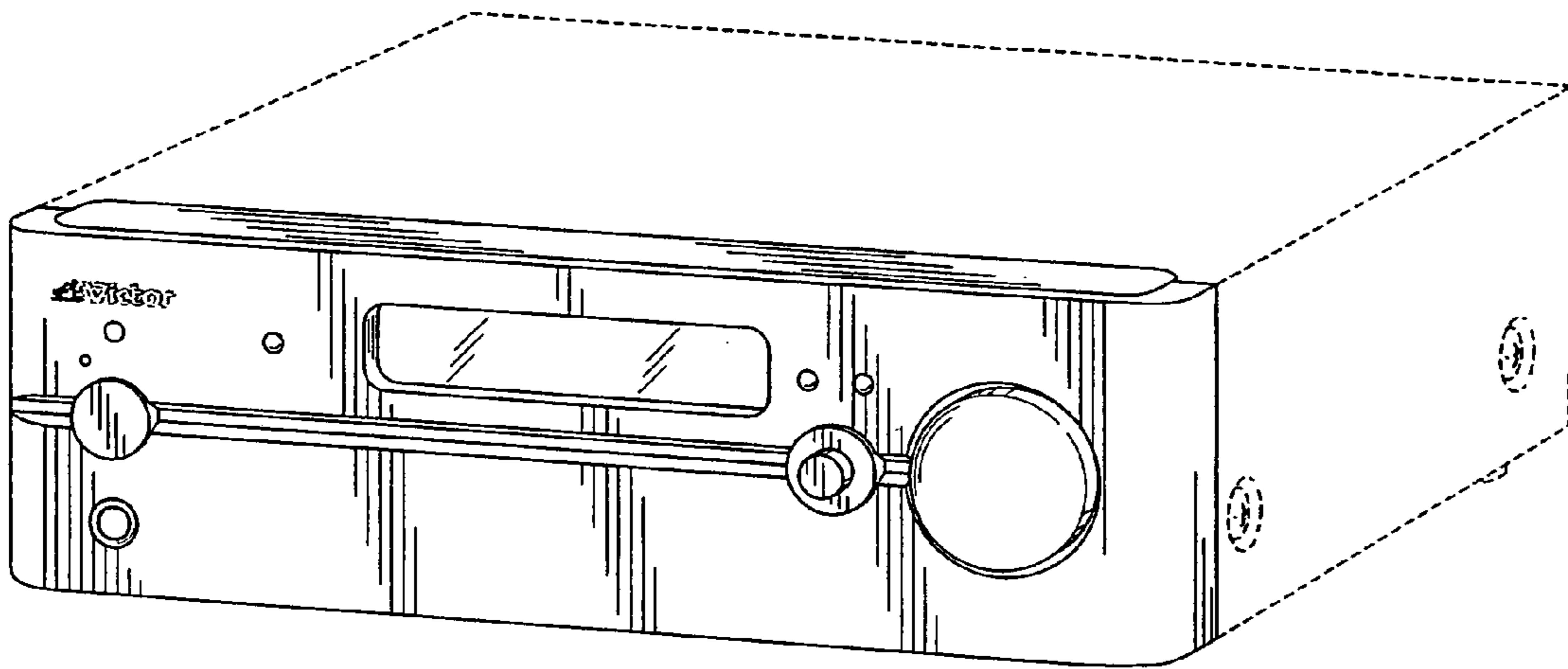


Fig.2

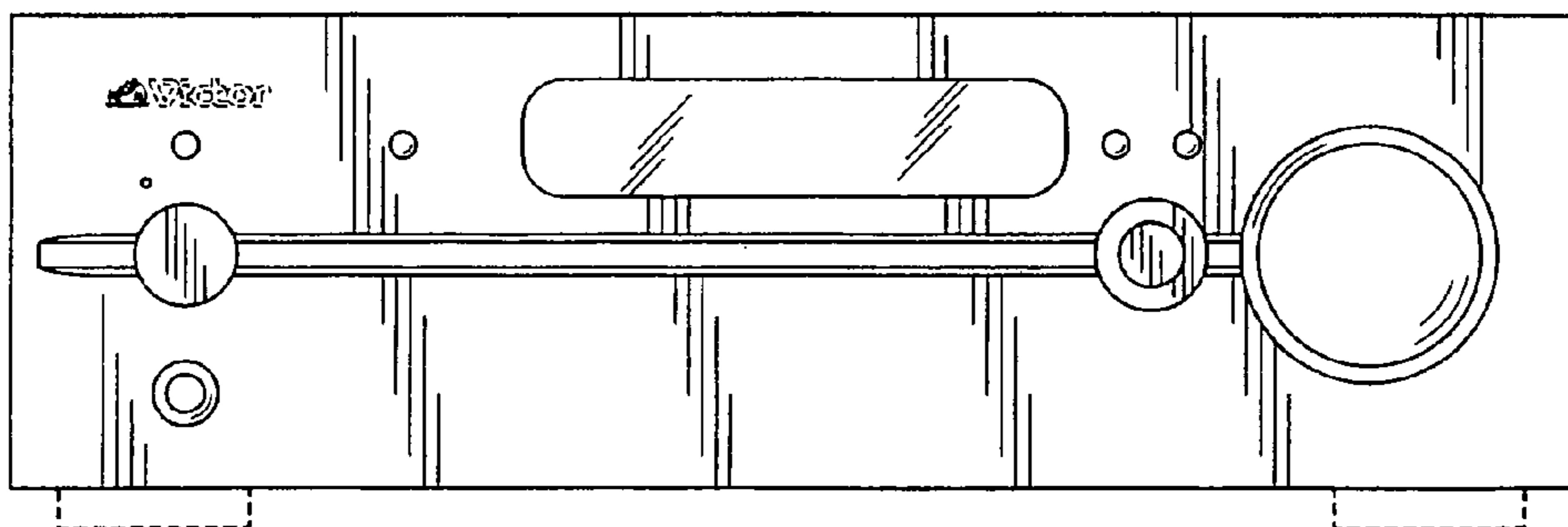


Fig.3

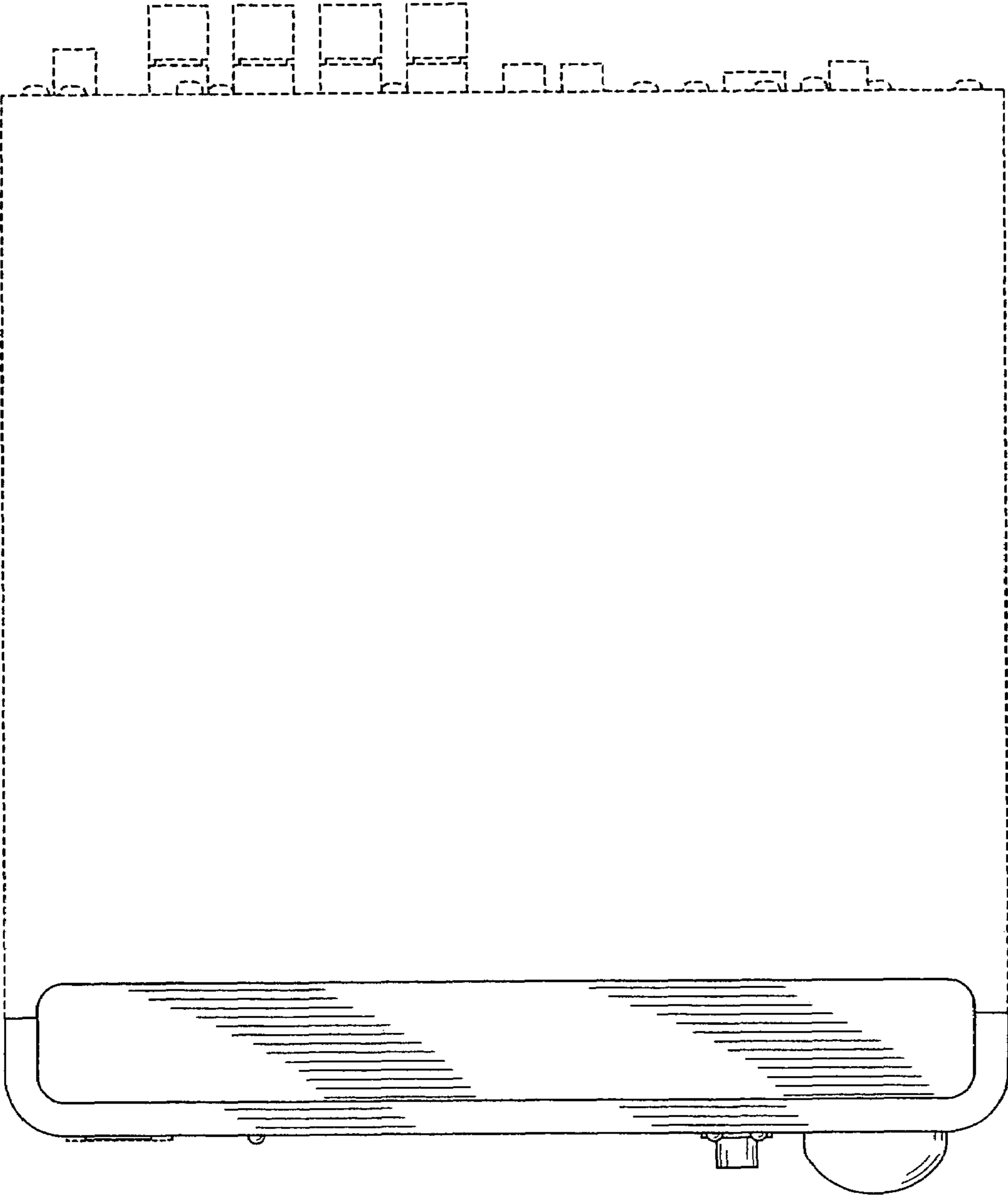


Fig.4

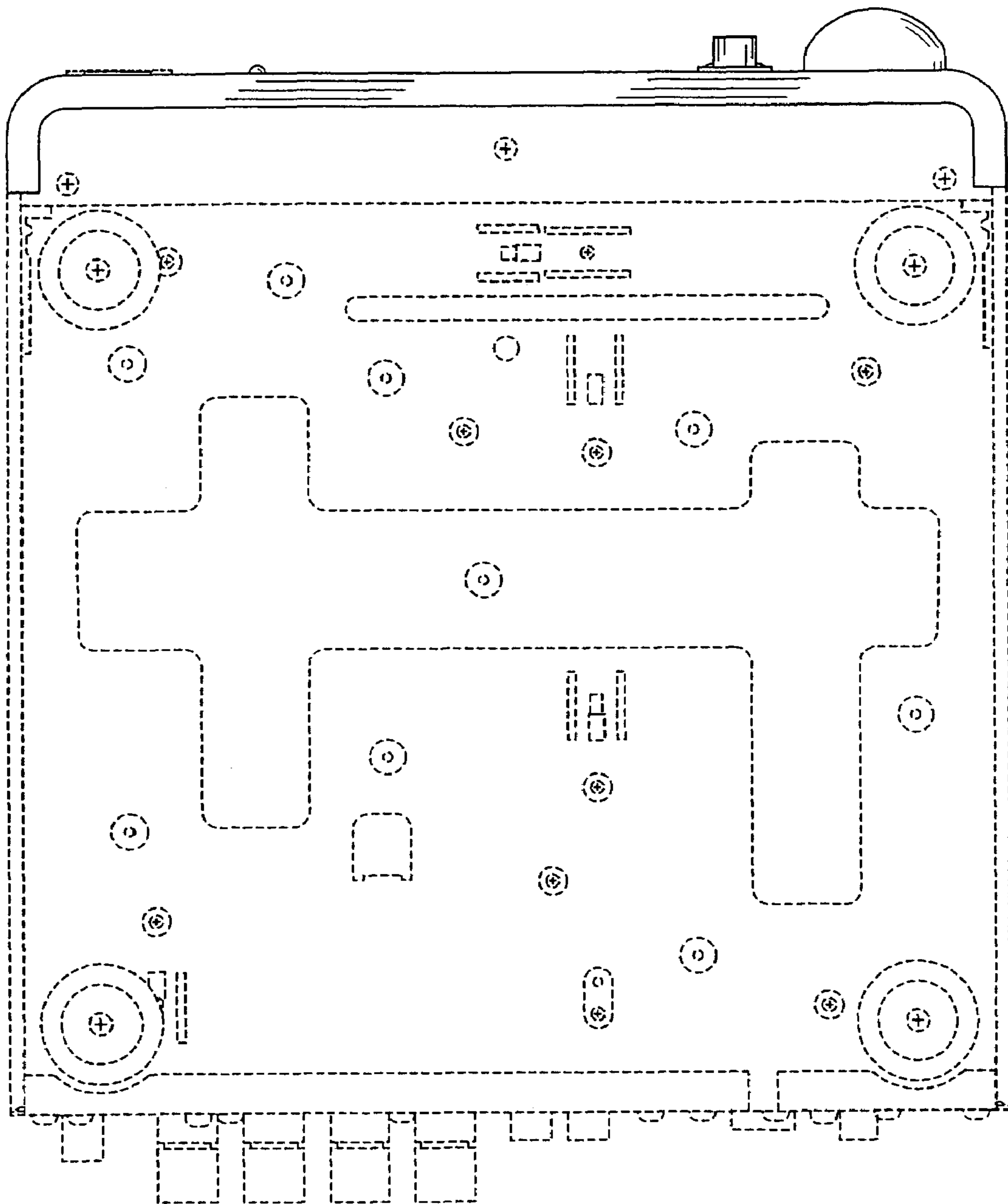


Fig.5

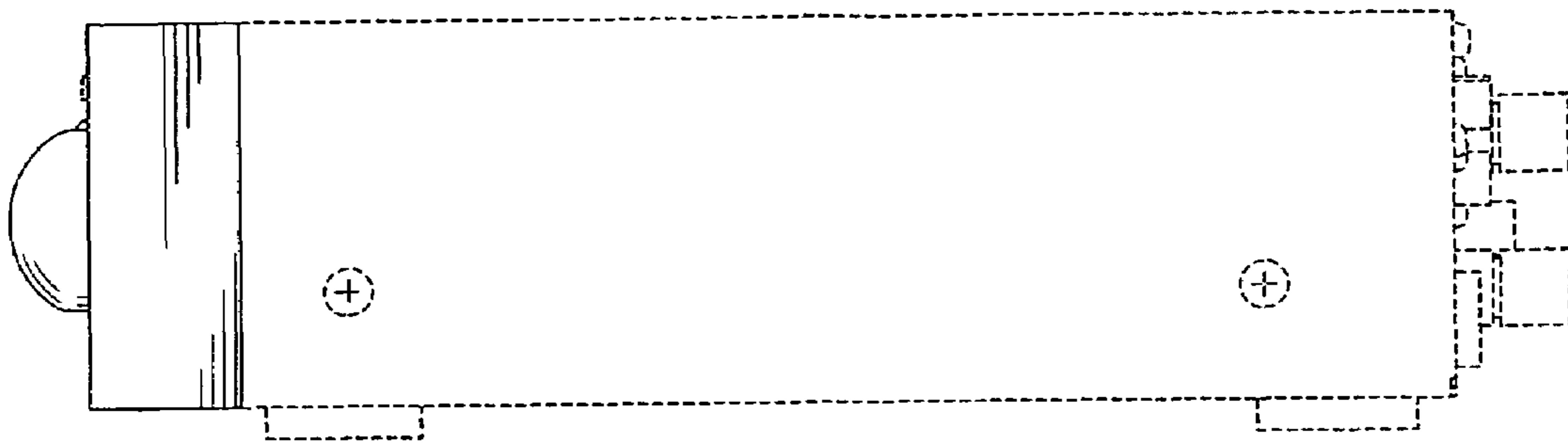


Fig.6

