



US00D558195S

(12) **United States Design Patent** (10) **Patent No.:** **US D558,195 S**  
**Divine et al.** (45) **Date of Patent:** **\*\* Dec. 25, 2007**

(54) **AUDIO COMPONENT FRONT FACE**

D529,479 S \* 10/2006 Wolf et al. .... D14/188  
D536,699 S \* 2/2007 Silva et al. .... D14/257

(75) Inventors: **Brian Divine**, South Bend, IN (US);  
**Philip S. McPhee**, South Bend, IN (US)

\* cited by examiner

*Primary Examiner*—Robert M. Spear

*Assistant Examiner*—Katrina A Kile

(73) Assignee: **Harman International Industries, Incorporated**, Northridge, CA (US)

(74) *Attorney, Agent, or Firm*—Plumsea Law Group, LLC

(\*\*) Term: **14 Years**

(57) **CLAIM**

(21) Appl. No.: **29/251,644**

The ornamental design for an audio component front face, as shown and described.

(22) Filed: **Jan. 10, 2006**

**DESCRIPTION**

(51) **LOC (8) Cl.** ..... **14-01**

FIG. 1 is a perspective view of an audio component front face showing my new design;

(52) **U.S. Cl.** ..... **D14/257**

FIG. 2 is a front elevational view thereof;

(58) **Field of Classification Search** ..... D14/257,  
D14/258, 224, 217, 198, 197, 193, 192, 188,  
D14/168, 167, 165, 164, 163, 162, 161, 160,  
D14/157, 156, 154, 136, 135; 720/691, 658,  
720/270; 455/344, 575.1; 396/434, 93;  
386/1; 369/93, 75.1; 360/47, 4; 359/550,  
359/258; 349/460, 159, 10

FIG. 3 is a left side elevational view thereof;

FIG. 4 is a right side elevational view thereof;

See application file for complete search history.

FIG. 5 is a cross-sectional view taken through line 5—5 of FIG. 2;

FIG. 6 is a top plan view thereof;

FIG. 7 is a bottom plan view thereof; and,

FIG. 8 is a rear elevational view thereof.

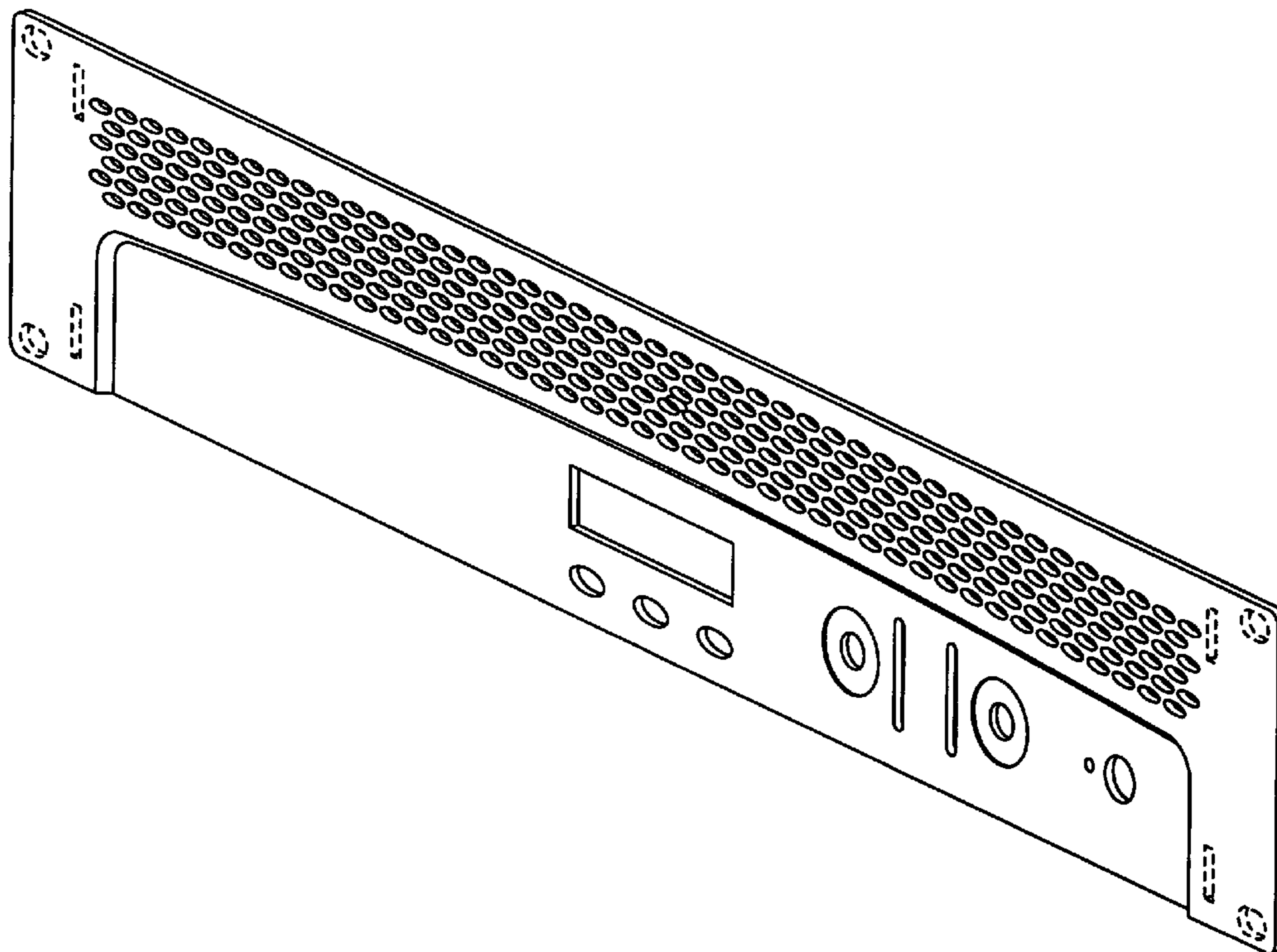
(56) **References Cited**

**U.S. PATENT DOCUMENTS**

D355,197 S \* 2/1995 Farinelli et al. .... D14/257  
D373,589 S 9/1996 Peterson et al.  
D483,753 S 12/2003 Goodsene et al.  
D497,906 S 11/2004 Kellom et al.

The broken line showings of the ovals and slots in the corners of the face plate are for illustrative purposes only and form no part of the claimed design.

**1 Claim, 3 Drawing Sheets**



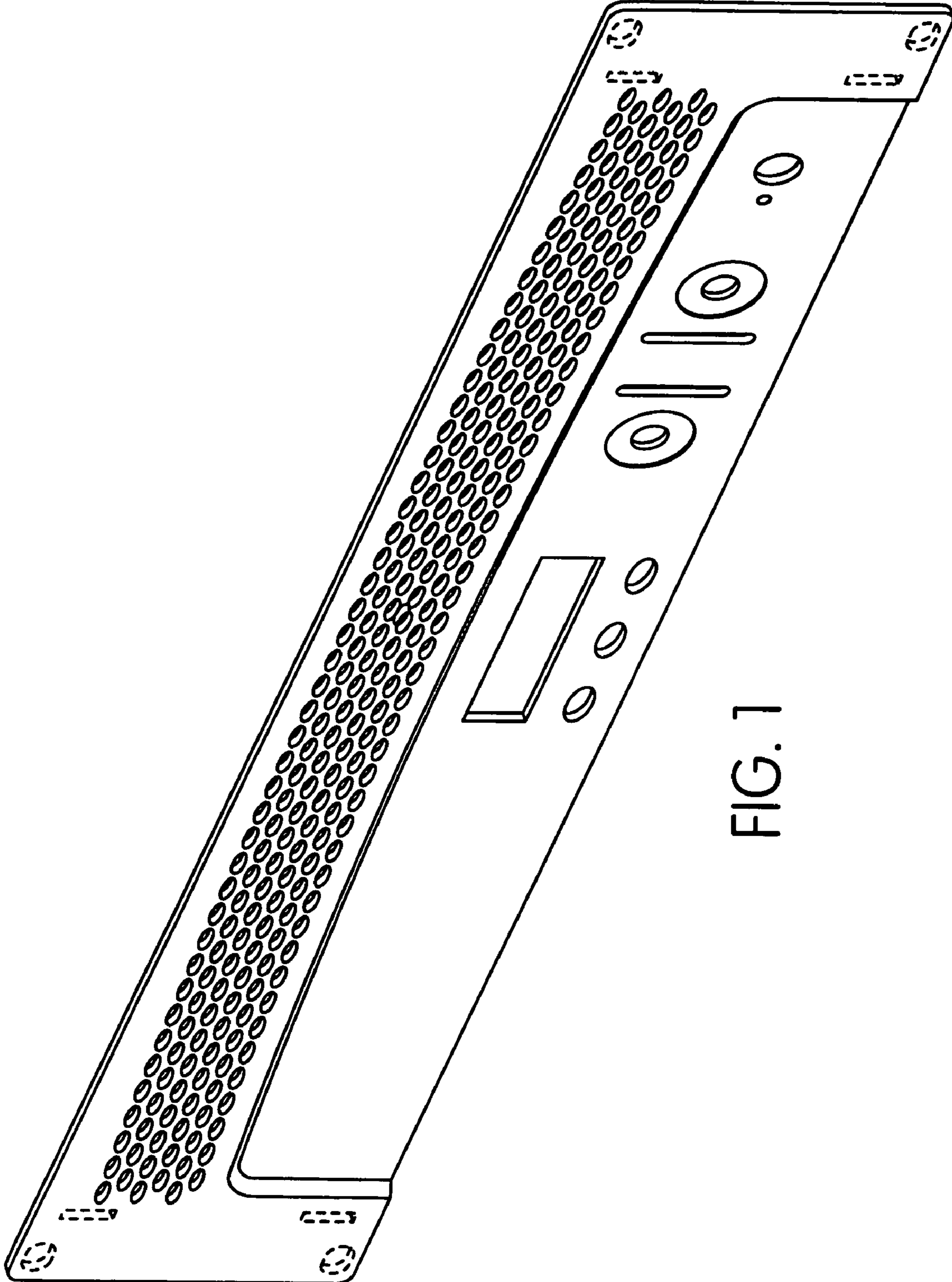


FIG. 1

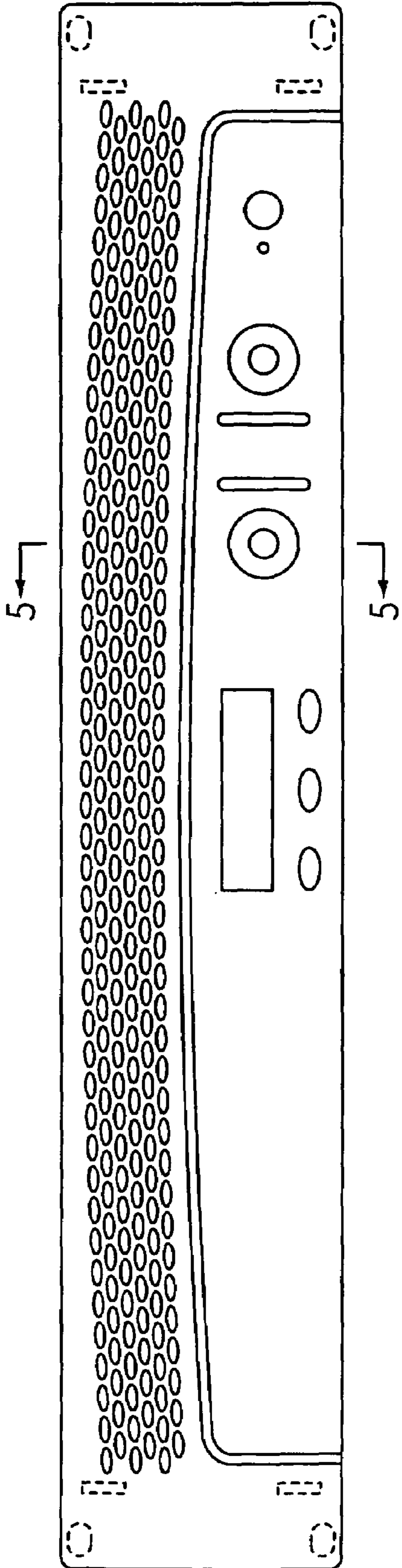


FIG. 2



FIG. 5



FIG. 4

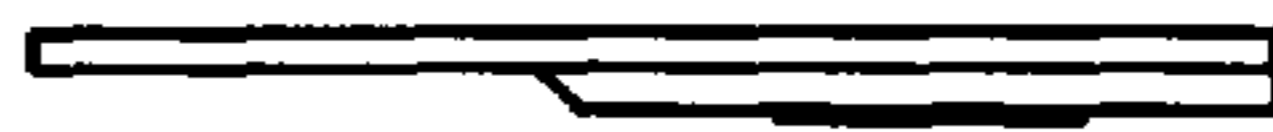


FIG. 3



FIG. 6



FIG. 7

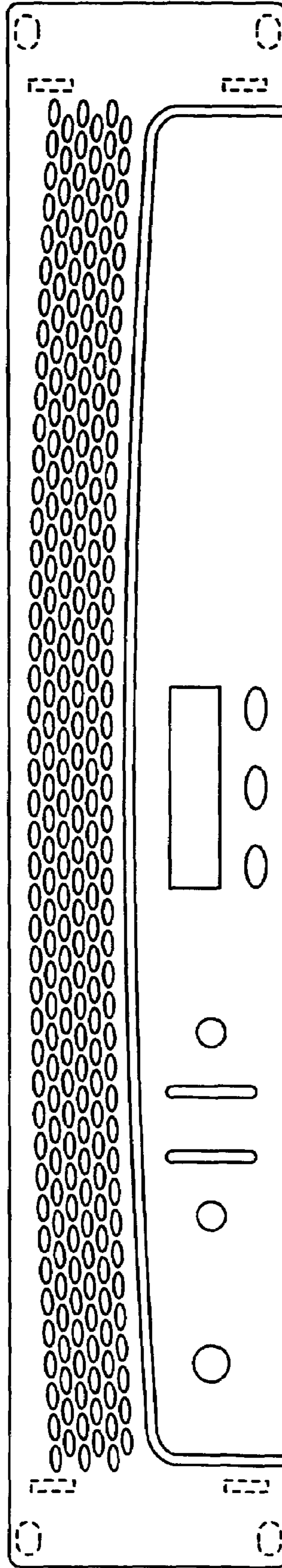


FIG. 8

UNITED STATES PATENT AND TRADEMARK OFFICE  
**CERTIFICATE OF CORRECTION**

PATENT NO. : Des. 558,195 S  
APPLICATION NO. : 29/251644  
DATED : December 25, 2007  
INVENTOR(S) : Brian Divine et al.

Page 1 of 1

It is certified that error appears in the above-identified patent and that said Letters Patent is hereby corrected as shown below:

Title Page,  
In the Description section line 12, the word "comers" is replaced with --corners--

Signed and Sealed this

Twenty-ninth Day of April, 2008

A handwritten signature in black ink that reads "Jon W. Dudas". The signature is written in a cursive style with a large, looped initial "J".

JON W. DUDAS

*Director of the United States Patent and Trademark Office*

UNITED STATES PATENT AND TRADEMARK OFFICE  
**CERTIFICATE OF CORRECTION**

PATENT NO. : Des. 558,195 S  
APPLICATION NO. : 29/251644  
DATED : December 25, 2007  
INVENTOR(S) : Brian Divine et al.

Page 1 of 1

It is certified that error appears in the above-identified patent and that said Letters Patent is hereby corrected as shown below:

In the Description section line 12 the word "comers" is replaced with --corners--

Signed and Sealed this

Twenty-eighth Day of October, 2008

A handwritten signature in black ink that reads "Jon W. Dudas". The signature is written in a cursive style with a large, stylized initial 'J'.

JON W. DUDAS  
*Director of the United States Patent and Trademark Office*

UNITED STATES PATENT AND TRADEMARK OFFICE  
**CERTIFICATE OF CORRECTION**

PATENT NO. : Des. 558,195 S  
APPLICATION NO. : 29/251644  
DATED : December 25, 2007  
INVENTOR(S) : Brian Divine et al.

Page 1 of 1

It is certified that error appears in the above-identified patent and that said Letters Patent is hereby corrected as shown below:

This certificate vacates the Certificate of Correction issued October 28, 2008. The certificate is a duplicate of the Certificate of Correction issued April 29, 2008. All requested changes were included in the Certificate of Correction issued April 29, 2008.

Signed and Sealed this

Second Day of December, 2008

A handwritten signature in black ink that reads "Jon W. Dudas". The signature is written in a cursive style with a large, stylized initial "J".

JON W. DUDAS  
*Director of the United States Patent and Trademark Office*