



US00D558194S

(12) **United States Design Patent**
Divine et al.

(10) **Patent No.:** **US D558,194 S**

(45) **Date of Patent:** **** Dec. 25, 2007**

(54) **AUDIO COMPONENT FRONT FACE**

D517,059 S * 3/2006 Newby et al. D14/257
D540,787 S * 4/2007 Potosky et al. D14/257

(75) Inventors: **Brian Divine**, South Bend, IN (US);
Philip S. McPhee, South Bend, IN
(US)

* cited by examiner

Primary Examiner—Robert M. Spear

Assistant Examiner—Katrina A Kile

(73) Assignee: **Harman International Industries,
Incorporated.**, Northridge, CA (US)

(74) *Attorney, Agent, or Firm*—Plumsea Law Group, LLC

(**) Term: **14 Years**

(57) **CLAIM**

(21) Appl. No.: **29/251,630**

The ornamental design for an audio component front face, as shown and described.

(22) Filed: **Jan. 10, 2006**

DESCRIPTION

(51) **LOC (8) Cl.** **14-01**

FIG. 1 is a perspective view of an audio component front face showing a first embodiment of my new design;

(52) **U.S. Cl.** **D14/257**

FIG. 2 is a front elevational view thereof;

(58) **Field of Classification Search** D14/257,
D14/258, 224, 217, 198, 197, 193, 192, 188,
D14/168, 167, 165, 164, 163, 162, 161, 160,
D14/157, 156, 154, 136, 135; 720/691, 658,
720/270; 455/344, 575.1; 396/434, 93;
386/1; 369/93, 75.1; 360/47, 4; 359/550,
359/258; 349/460, 159, 10

FIG. 3 is a left side elevational view thereof;

FIG. 4 is a right side elevational view thereof;

See application file for complete search history.

FIG. 5 is a cross-sectional view taken through line 5—5 of FIG. 2;

FIG. 6 is a top plan view thereof;

FIG. 7 is a bottom plan view thereof; and,

FIG. 8 is a rear elevational view thereof.

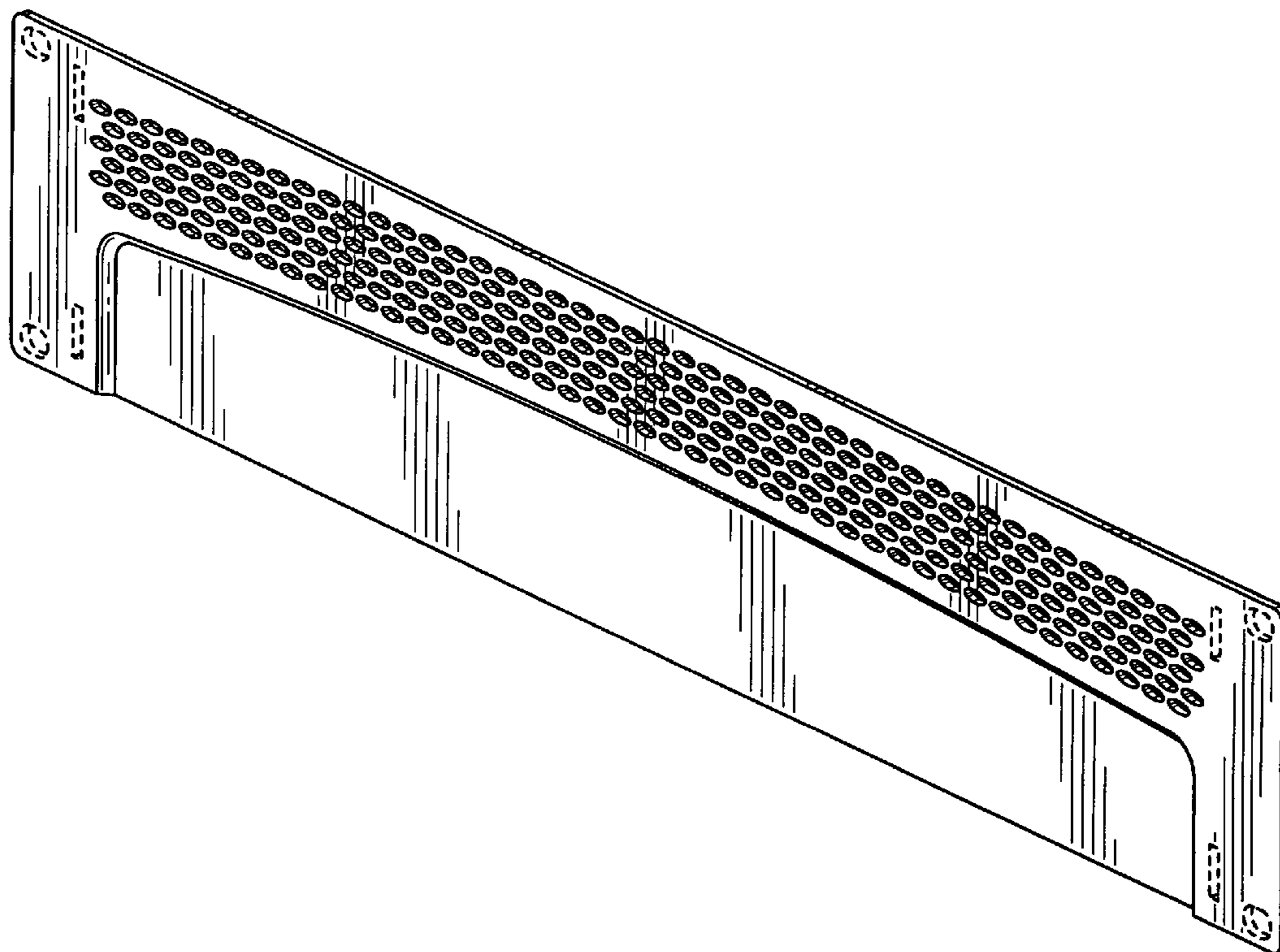
The broken line showings of the ovals and slots in the corners of the face plate are for illustrative purposes only and form no part of the claimed design.

(56) **References Cited**

U.S. PATENT DOCUMENTS

D373,589 S 9/1996 Peterson et al.
D390,850 S * 2/1998 Larson et al. D14/257
D483,753 S 12/2003 Goodsene et al.
D497,906 S 11/2004 Kellom et al.

1 Claim, 3 Drawing Sheets



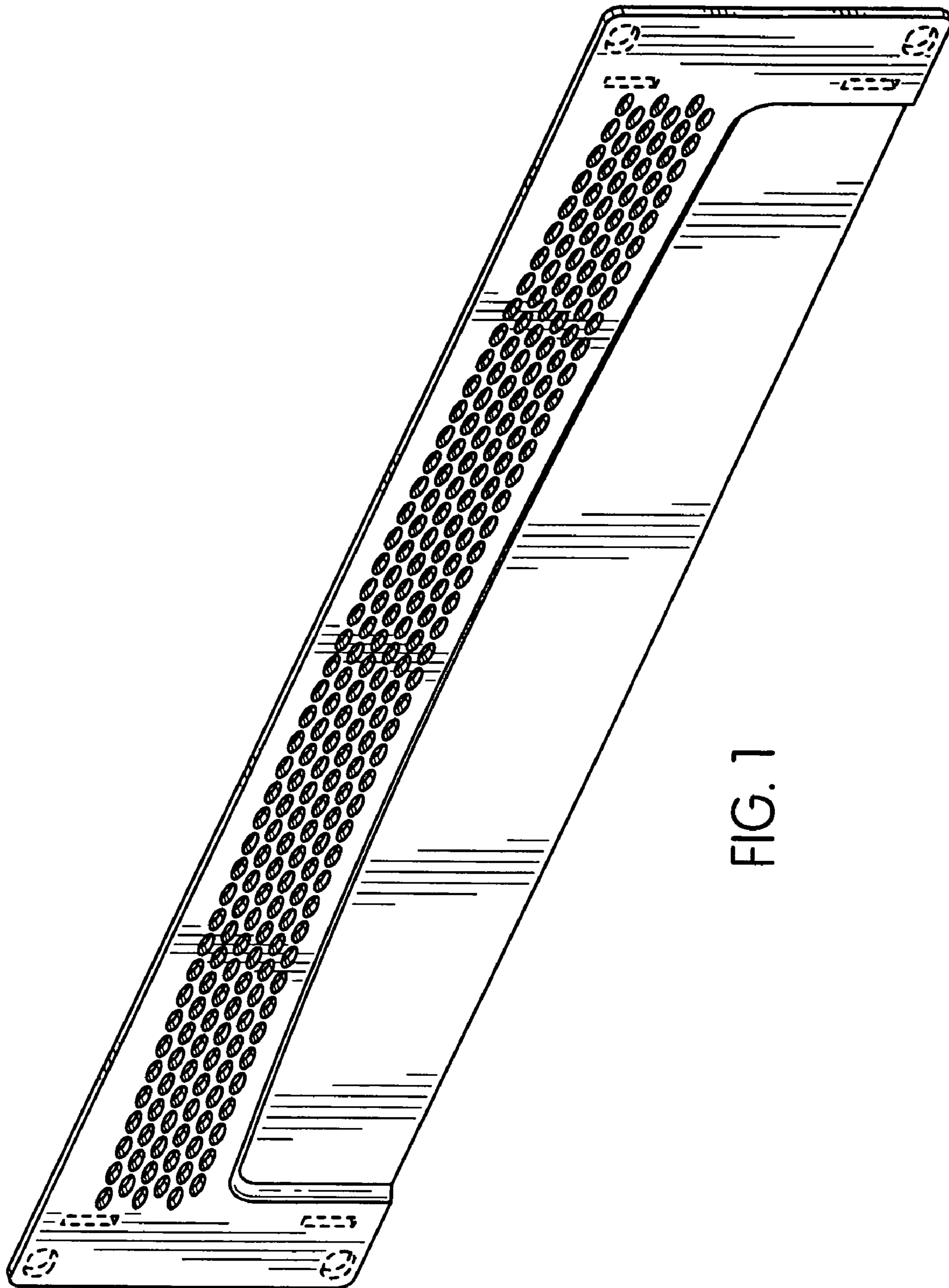


FIG. 1

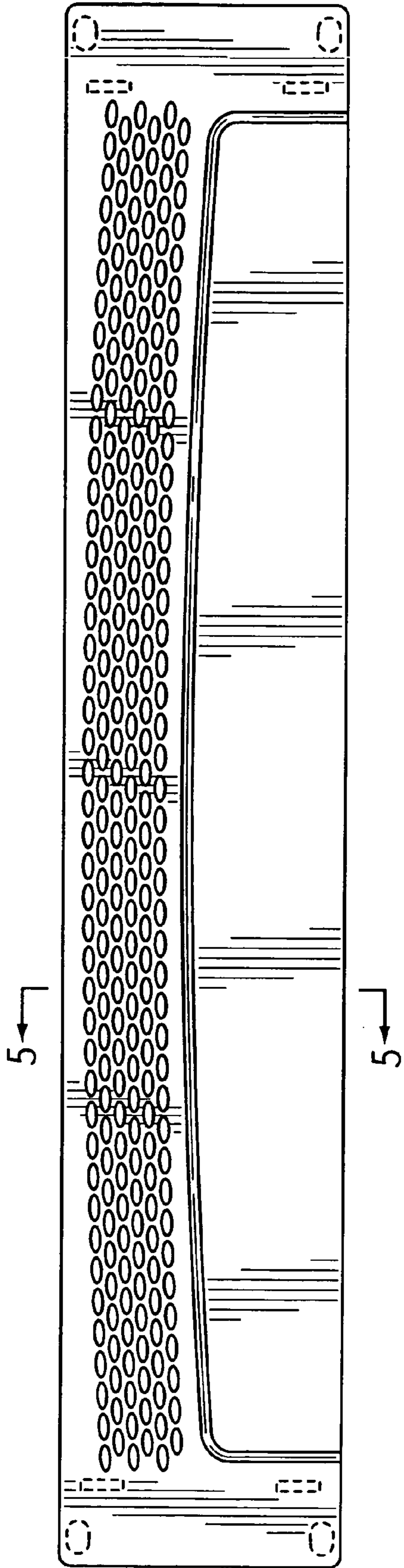


FIG. 2



FIG. 3



FIG. 4



FIG. 5



FIG. 6



FIG. 7

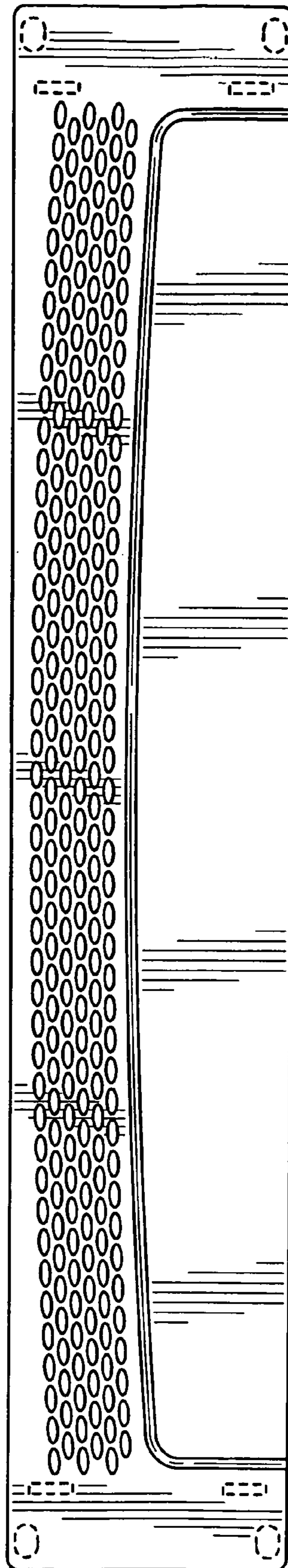


FIG. 8