

US00D558193S

(12) **United States Design Patent** (10) **Patent No.:** **US D558,193 S**
Ju (45) **Date of Patent:** **** Dec. 25, 2007**

(54) **CHARGING HOLDER FOR PORTABLE PHONE**

(75) Inventor: **Tai Hyung Ju**, Seoul (KR)

(73) Assignee: **Samsung Electronics Co., Ltd.**, Suwon-Si (KR)

(**) Term: **14 Years**

(21) Appl. No.: **29/267,499**

(22) Filed: **Oct. 17, 2006**

(30) **Foreign Application Priority Data**

May 18, 2006 (KR) 30-2006-0018535

(51) **LOC (8) Cl.** **14-03**

(52) **U.S. Cl.** **D14/253**

(58) **Field of Classification Search** D14/251-253, D14/140-142, 240, 241, 451, 137, 138, 148, D14/149-151, 434, 447, 147; D13/107, D13/108; 379/19, 420.01-420.04; 248/221.11, 248/231.81
See application file for complete search history.

(56) **References Cited**

U.S. PATENT DOCUMENTS

- 5,479,486 A * 12/1995 Saji 455/573
- D409,563 S * 5/1999 Haase et al. D13/107
- 6,130,521 A * 10/2000 Collins et al. 320/115
- D463,361 S * 9/2002 Ruohonen D13/108
- D468,685 S * 1/2003 Jacobs et al. D13/107
- D489,323 S * 5/2004 Yoshida D13/108

D503,700 S * 4/2005 Mamero D14/149

* cited by examiner

Primary Examiner—Terry A Wallace

(74) *Attorney, Agent, or Firm*—Staas & Halsey LLP

(57) **CLAIM**

The ornamental design for the charging holder for portable phone, as shown and described.

DESCRIPTION

FIG. 1 is a perspective view of a charging holder for portable phone;

FIG. 2 is a front view of the charging holder for portable phone of FIG. 1;

FIG. 3 is a rear view of the charging holder for portable phone of FIG. 1;

FIG. 4 is a left-side view of the charging holder for portable phone of FIG. 1;

FIG. 5 is a right-side view of the charging holder for portable phone of FIG. 1;

FIG. 6 is a top plan view of the charging holder for portable phone of FIG. 1;

FIG. 7 is a bottom plan view of the charging holder for portable phone of FIG. 1; and,

FIG. 8 is a front open view thereof showing the upper fitting part of the charging holder for portable phone of FIG. 1.

The broken lines are for illustrative purposes only and form no part of the claimed design.

1 Claim, 5 Drawing Sheets

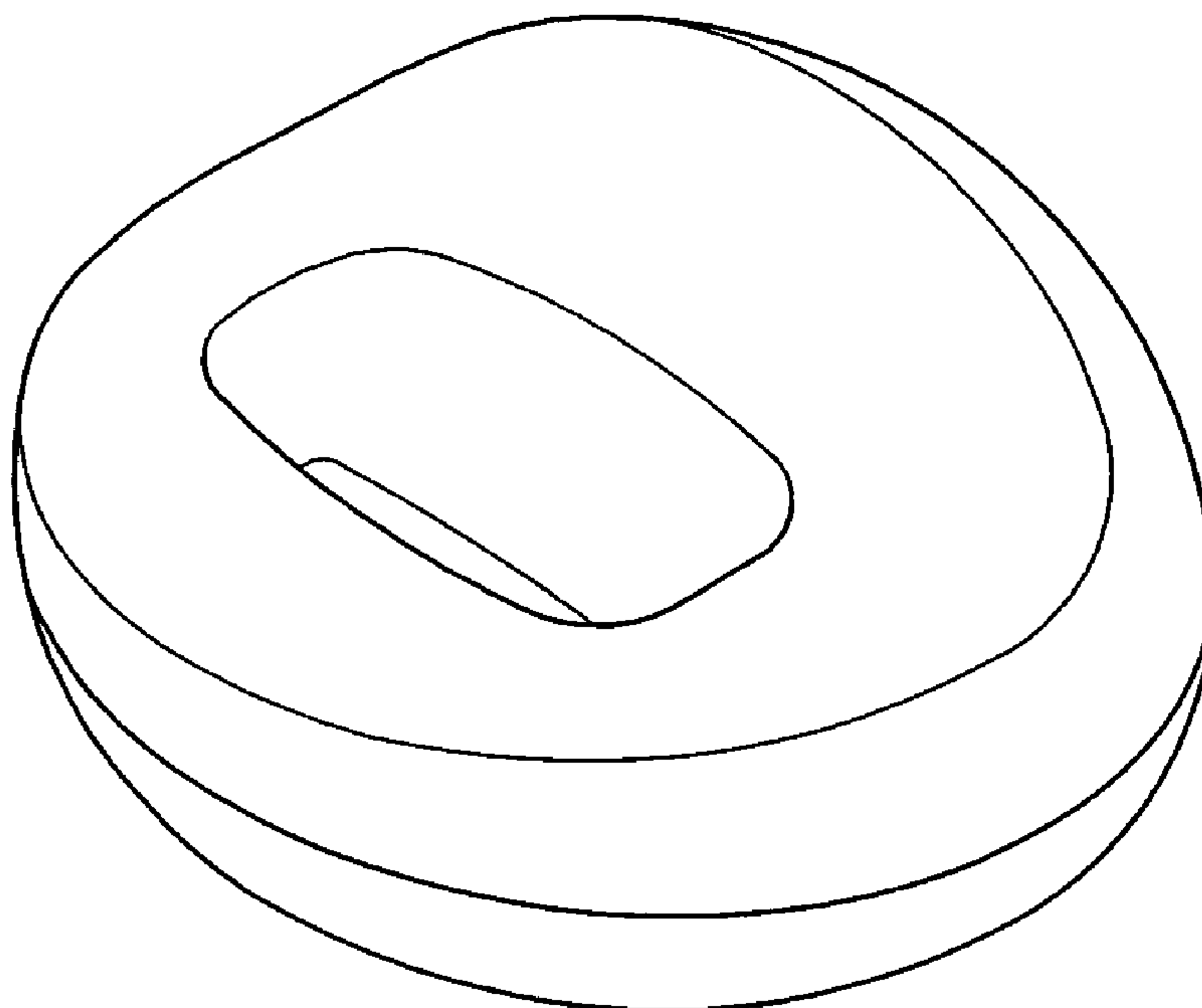


FIG. 1

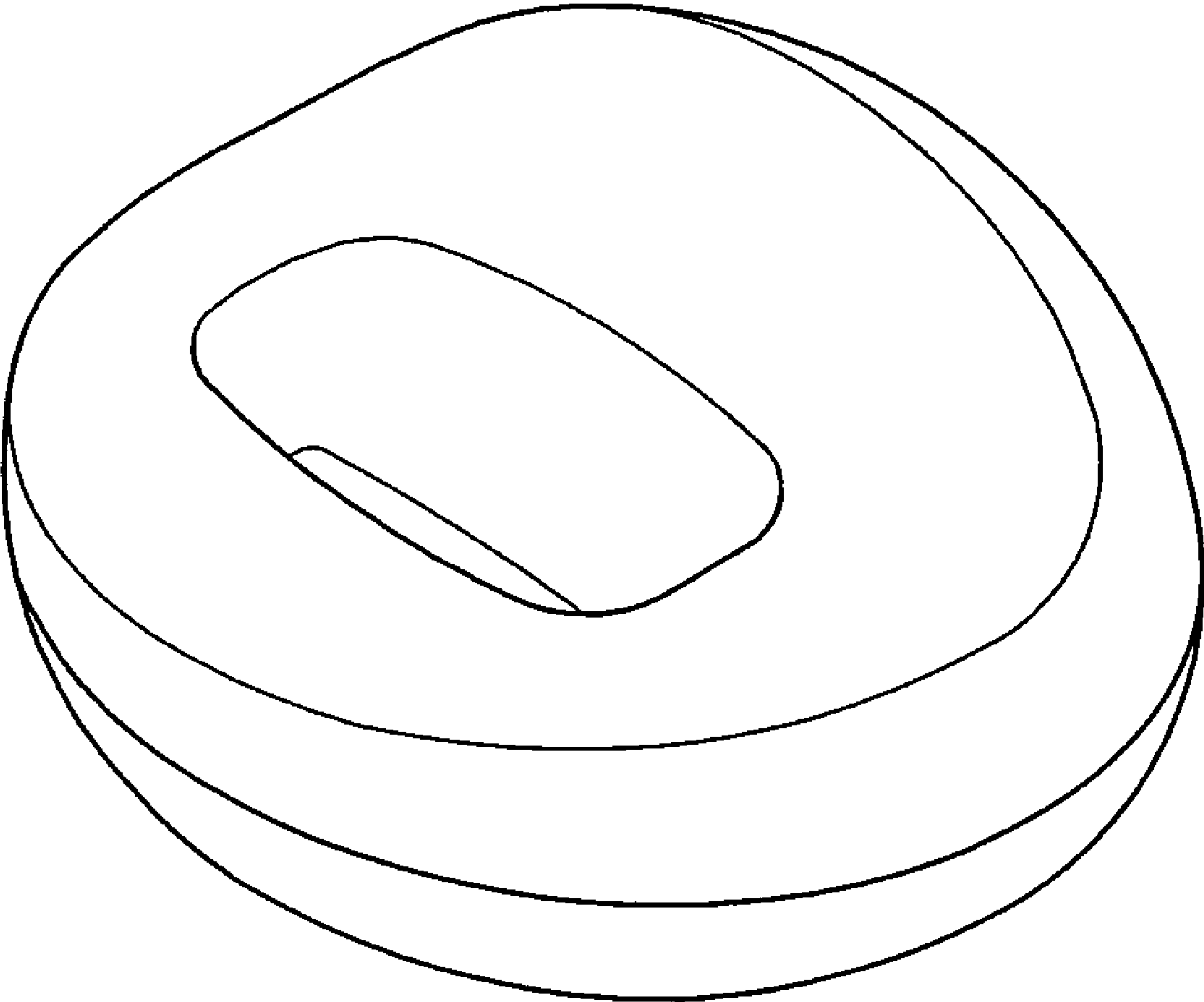


FIG. 2

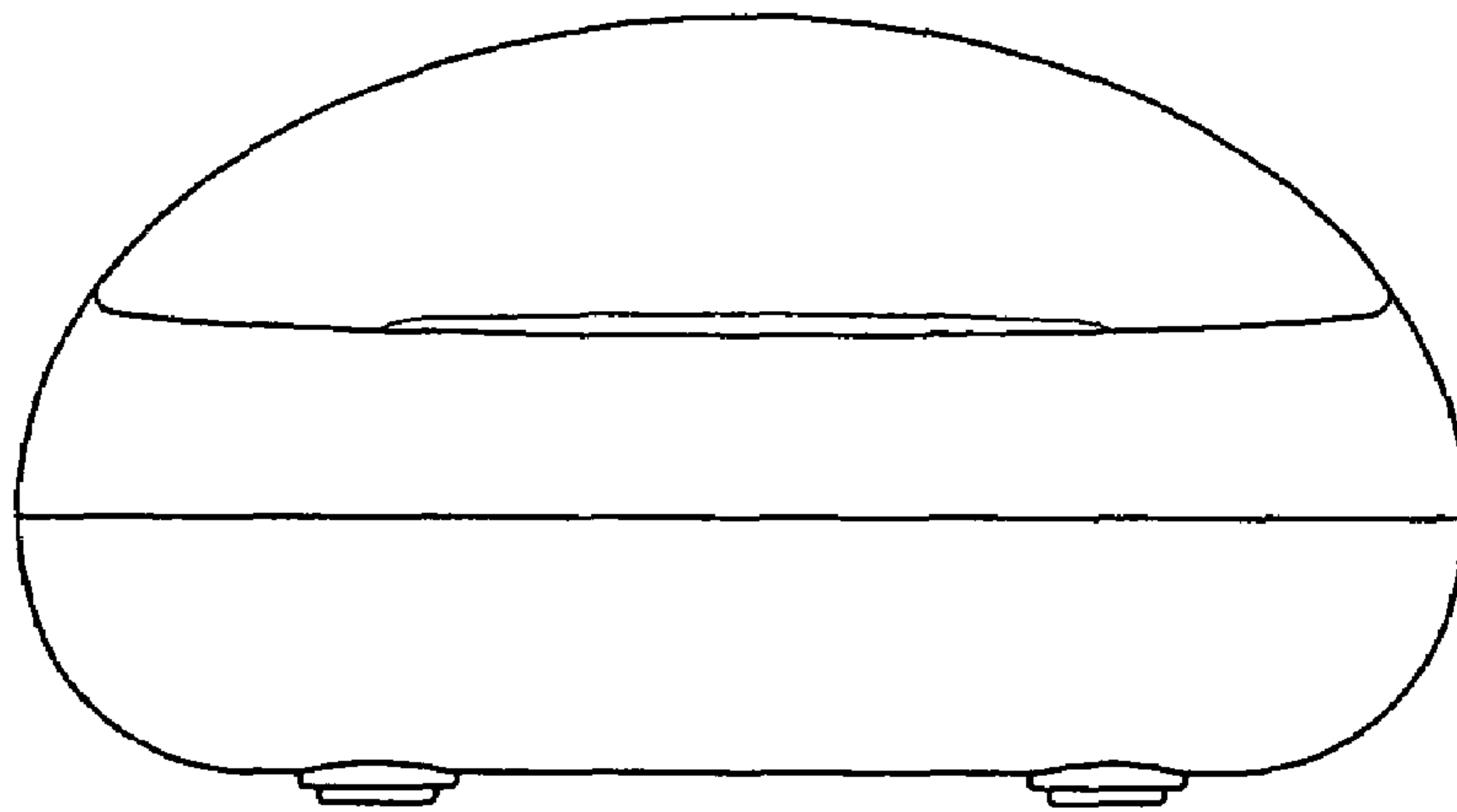


FIG. 3

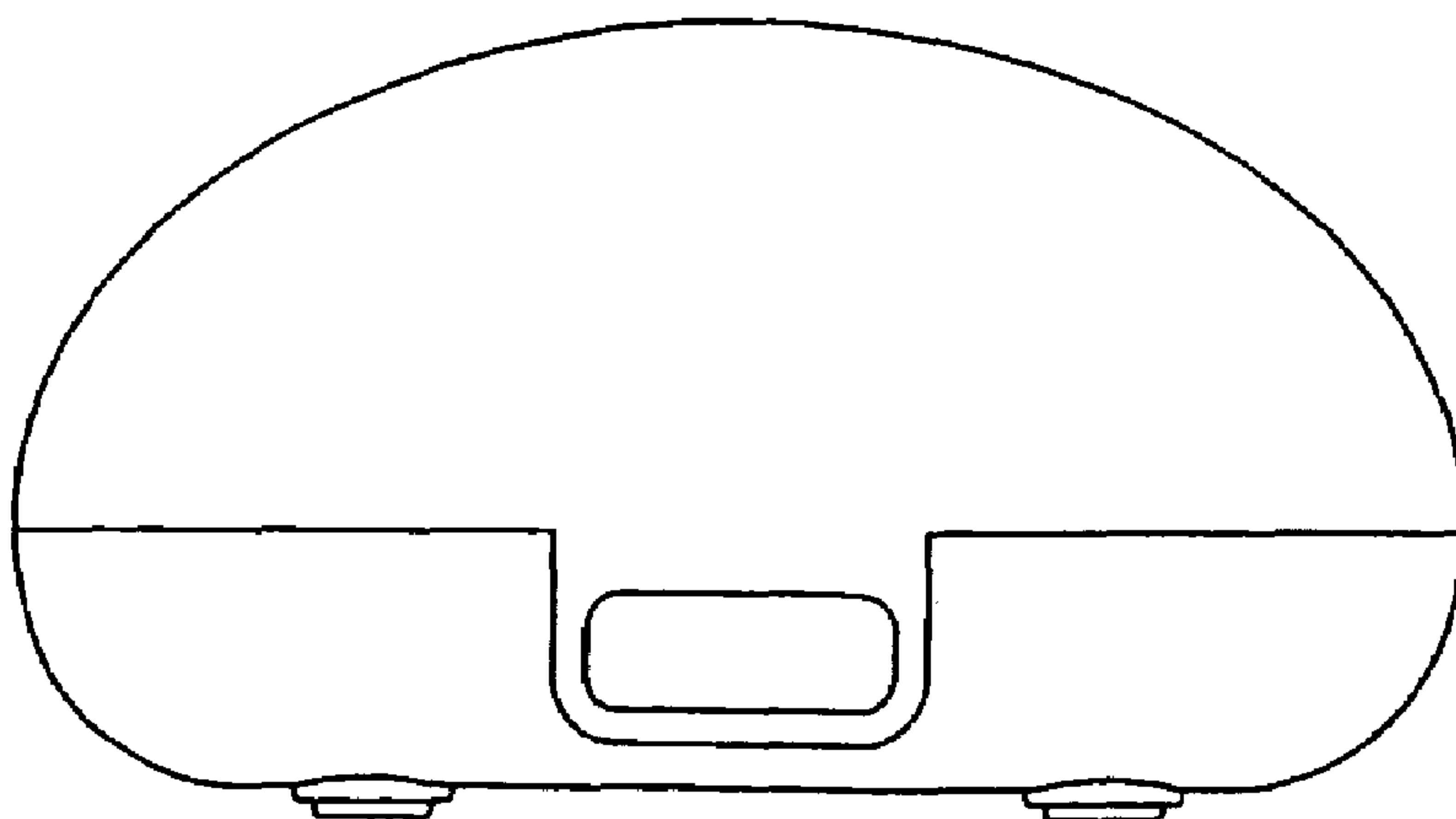


FIG. 4

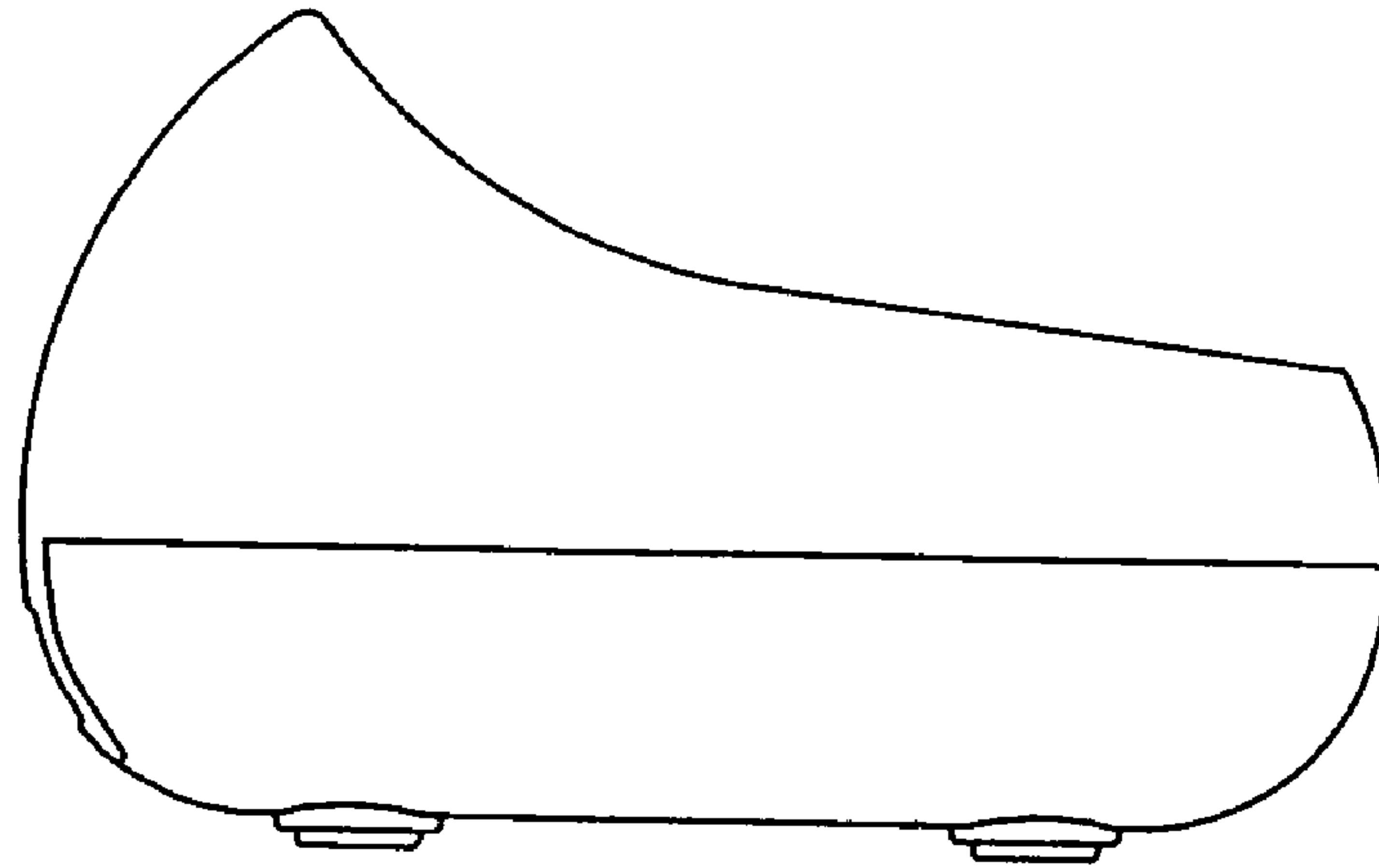


FIG. 5

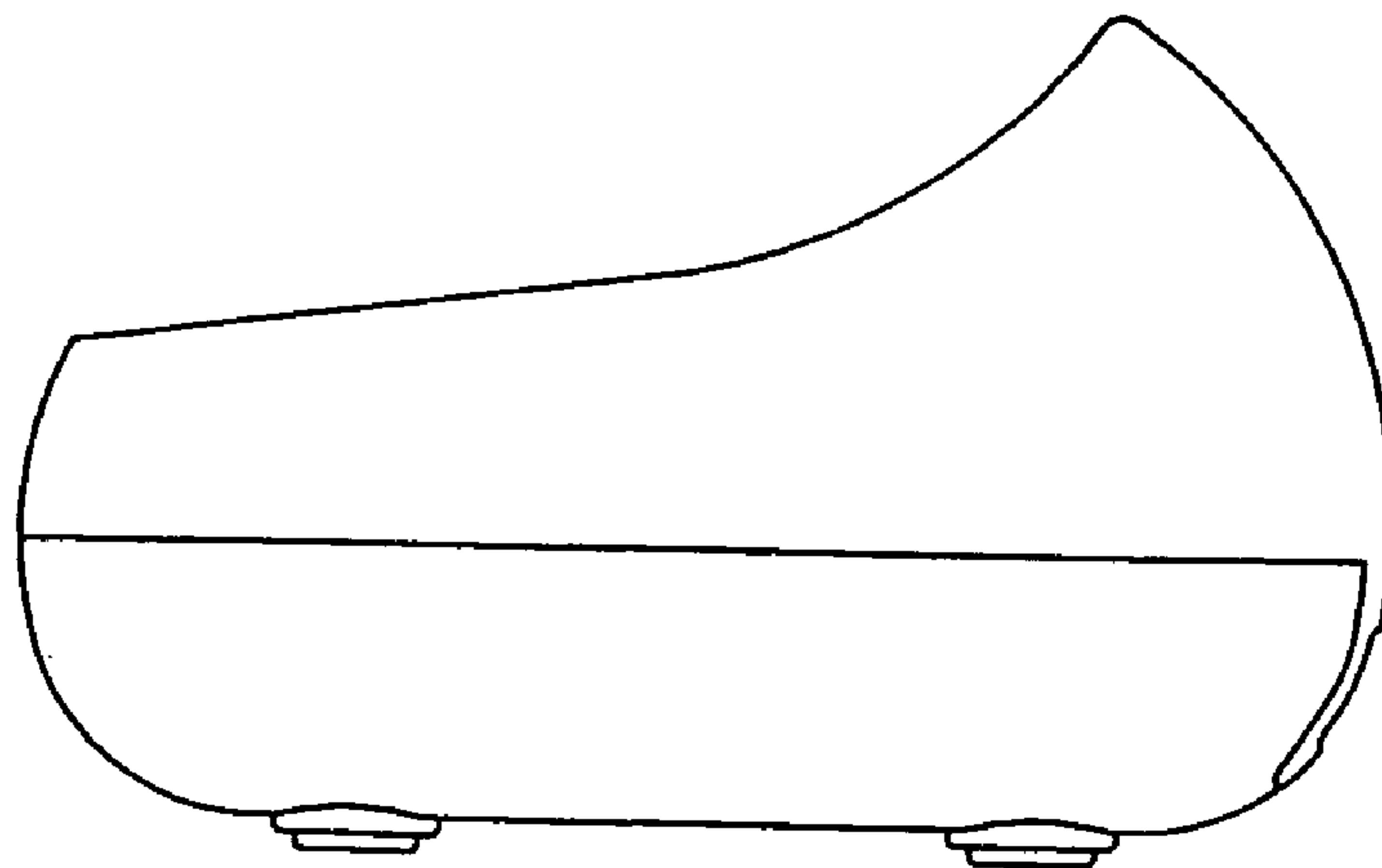


FIG. 6

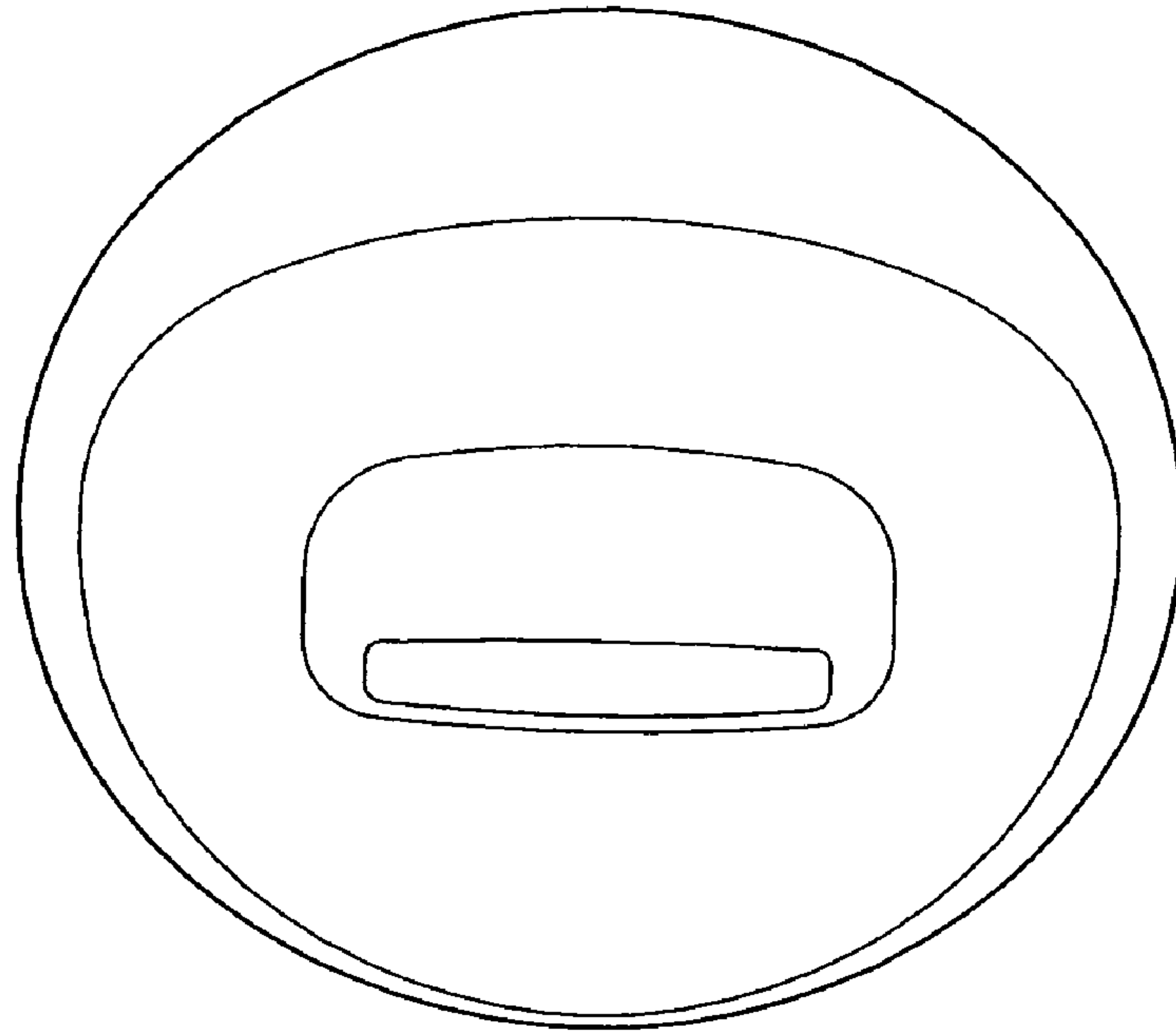


FIG. 7

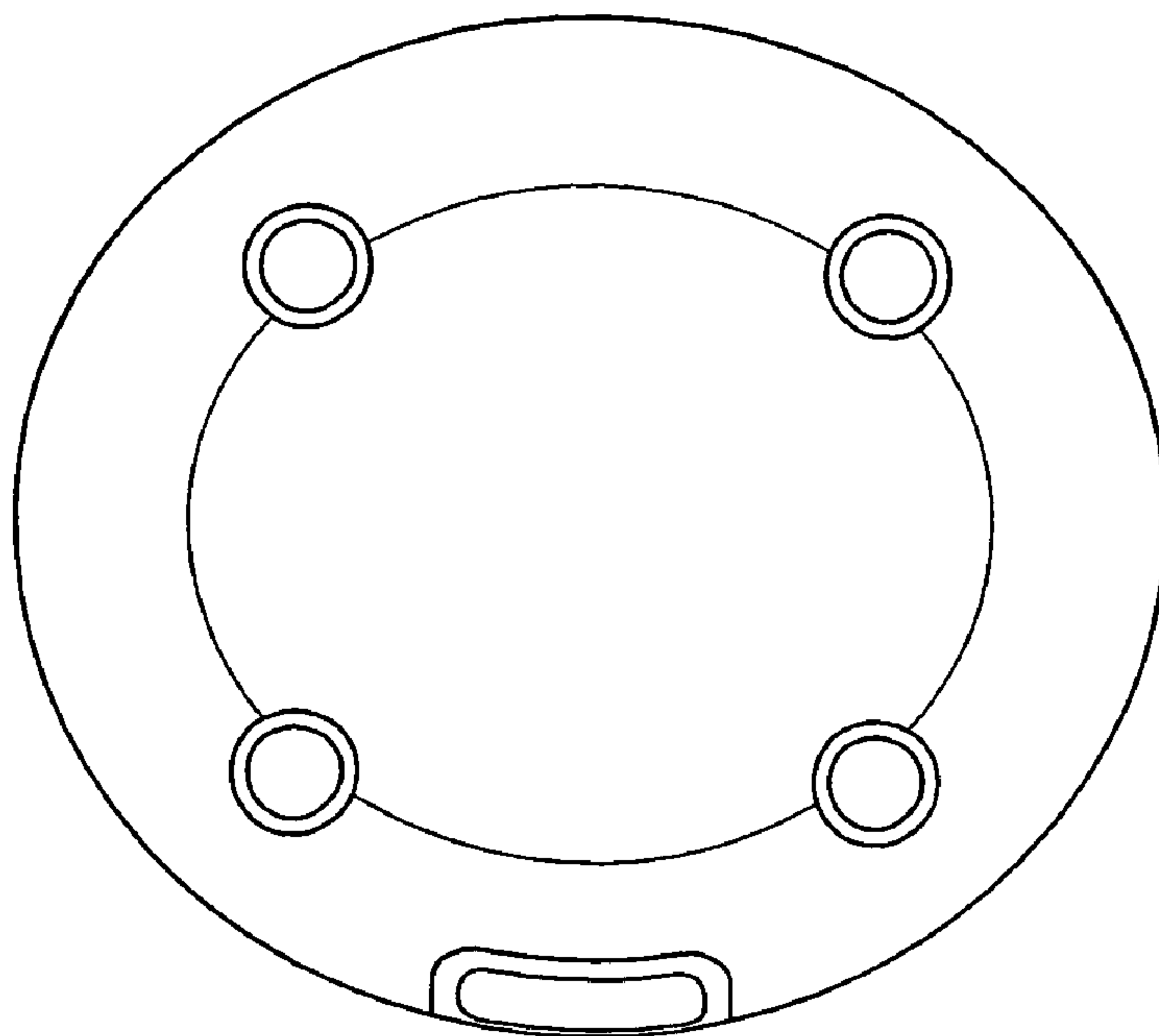


FIG. 8

