



US00D558192S

(12) **United States Design Patent**  
**Daly et al.**

(10) **Patent No.:** **US D558,192 S**

(45) **Date of Patent:** **\*\* Dec. 25, 2007**

(54) **STAND FOR DESKTOP PHONE**

D455,755 S \* 4/2002 Levine et al. .... D14/447

(75) Inventors: **Martin Daly**, South Orange, NJ (US);  
**James Farber**, Rumson, NJ (US);  
**Antoinette Mazza**, Somerset, NJ (US);  
**Wolfgang Schneider**, Frankfurt (DE);  
**Claus-Christian Eckhardt**, Hannover (DE)

\* cited by examiner

*Primary Examiner*—Terry A Wallace

(73) Assignee: **Avaya Technology Corp.**, Basking Ridge, NJ (US)

(57) **CLAIM**

The ornamental design for a stand for desktop phone, as shown and described.

(\*\*) Term: **14 Years**

**DESCRIPTION**

(21) Appl. No.: **29/261,055**

FIG. 1 is a front, right perspective view of the stand for desktop phone showing my new design;

(22) Filed: **Jun. 7, 2006**

FIG. 2 is a front, right perspective view of the stand for desktop phone in an alternate position;

(51) **LOC (8) Cl.** ..... **14-03**

FIG. 3 is a front, right perspective view of the stand bracket for desktop phone showing my new design;

(52) **U.S. Cl.** ..... **D14/251; D14/447**

FIG. 4 is a front side view thereof;

(58) **Field of Classification Search** ..... D14/251–253,  
D14/447; 379/435, 436, 454, 455; 248/309.3,  
248/441.1, 445, 174, 176.1

FIG. 5 is a back side view thereof;

See application file for complete search history.

FIG. 6 is a left side view thereof;

FIG. 7 is a right side view thereof;

(56) **References Cited**

FIG. 8 is a top view thereof; and,

**U.S. PATENT DOCUMENTS**

FIG. 9 is a bottom view thereof.

4,073,460 A \* 2/1978 Dale ..... 248/441.1

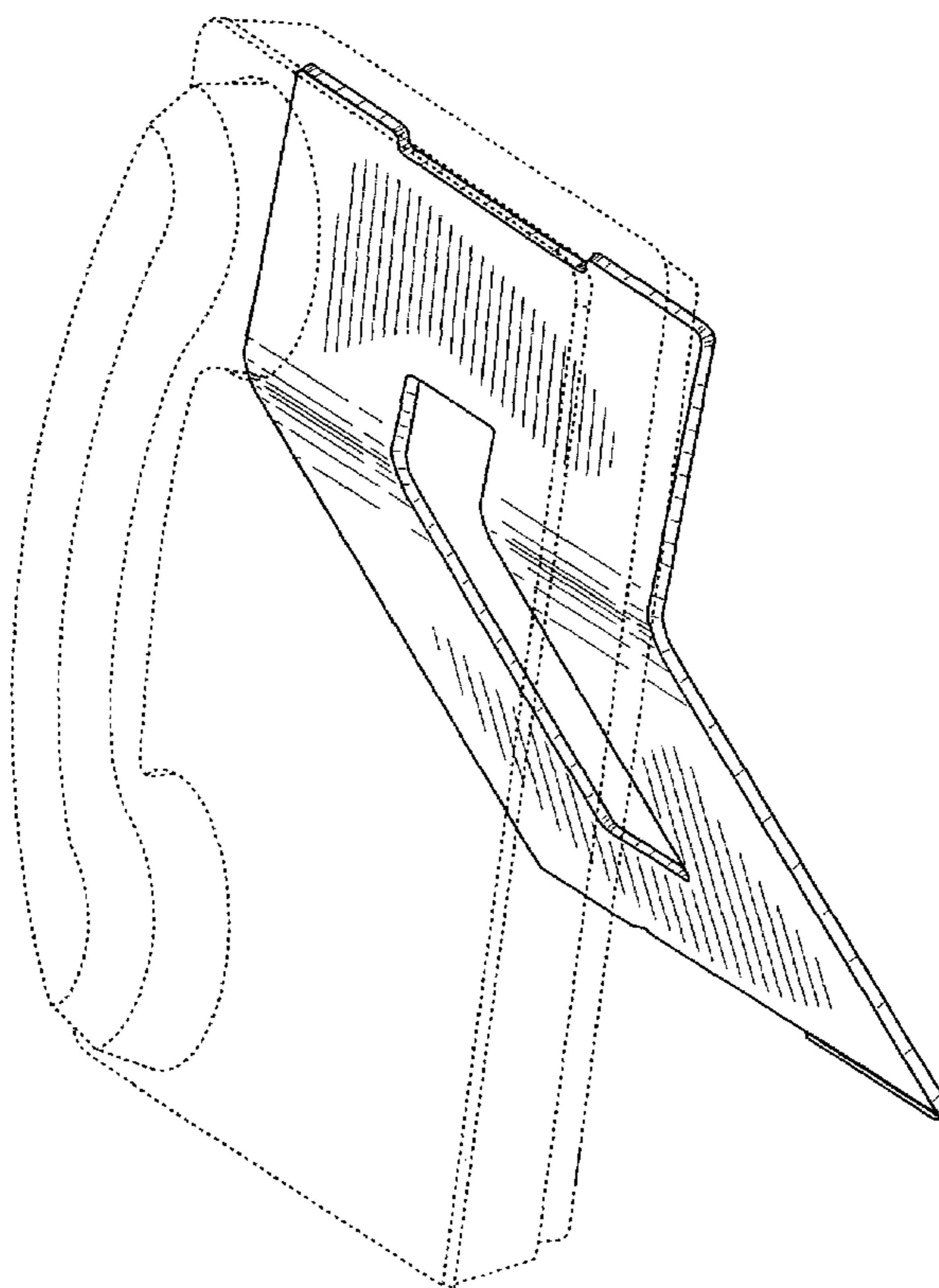
The broken lines are for illustrative purposes only and form no part of the claimed design.

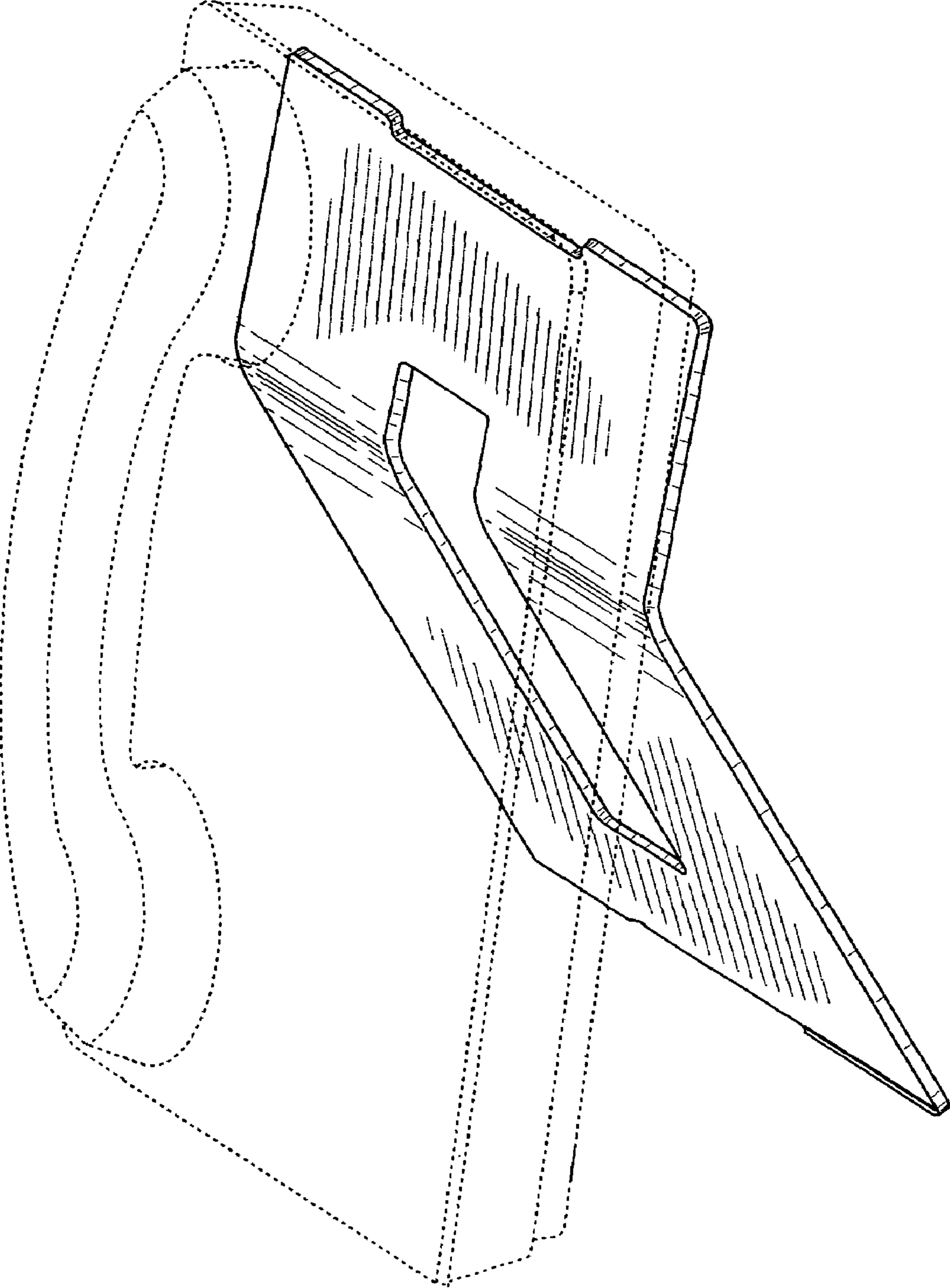
5,678,793 A \* 10/1997 Hill ..... 248/206.3

6,122,370 A \* 9/2000 Westfall ..... 379/435

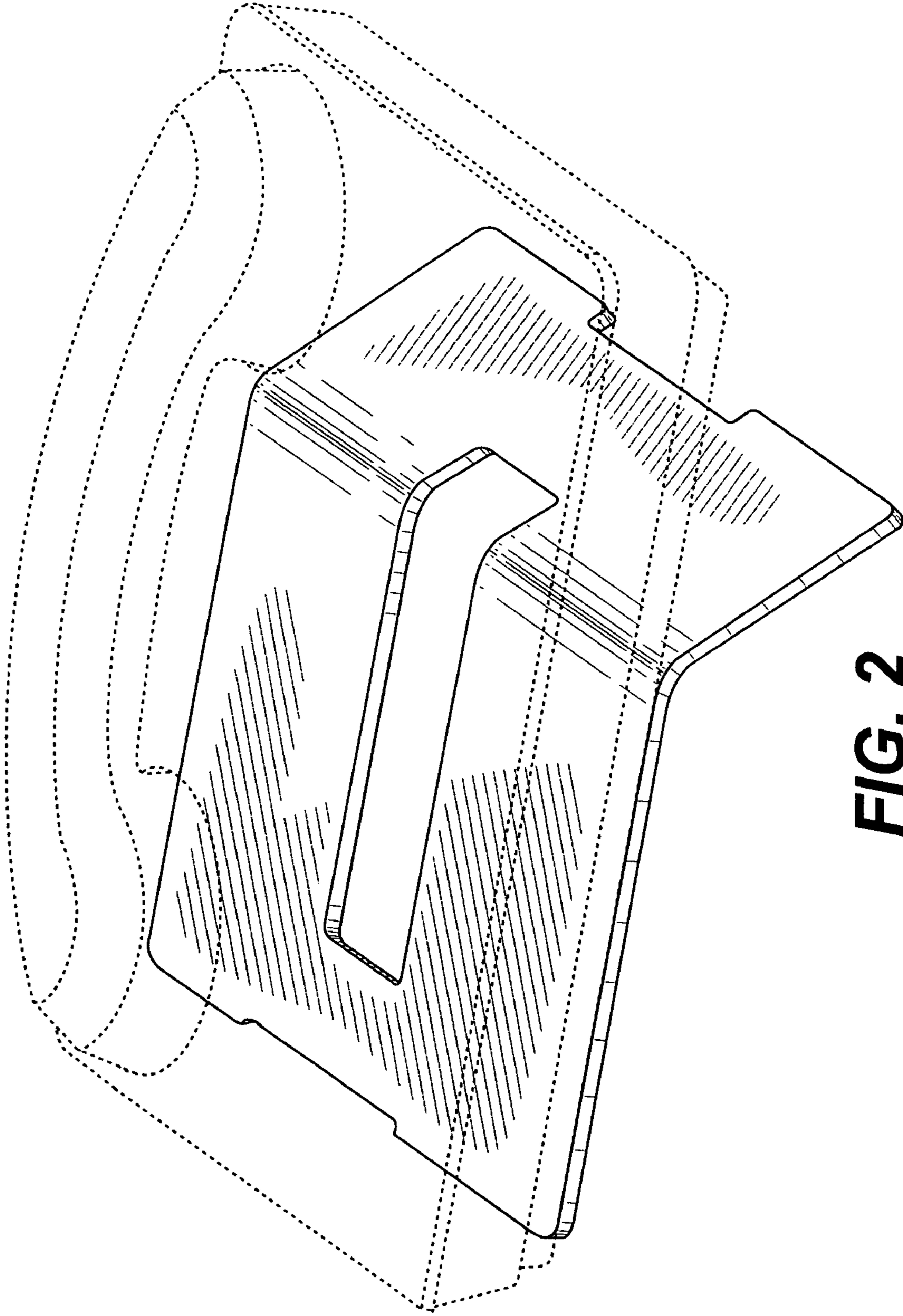
6,278,779 B1 \* 8/2001 Bryant et al. .... 379/454

**1 Claim, 7 Drawing Sheets**

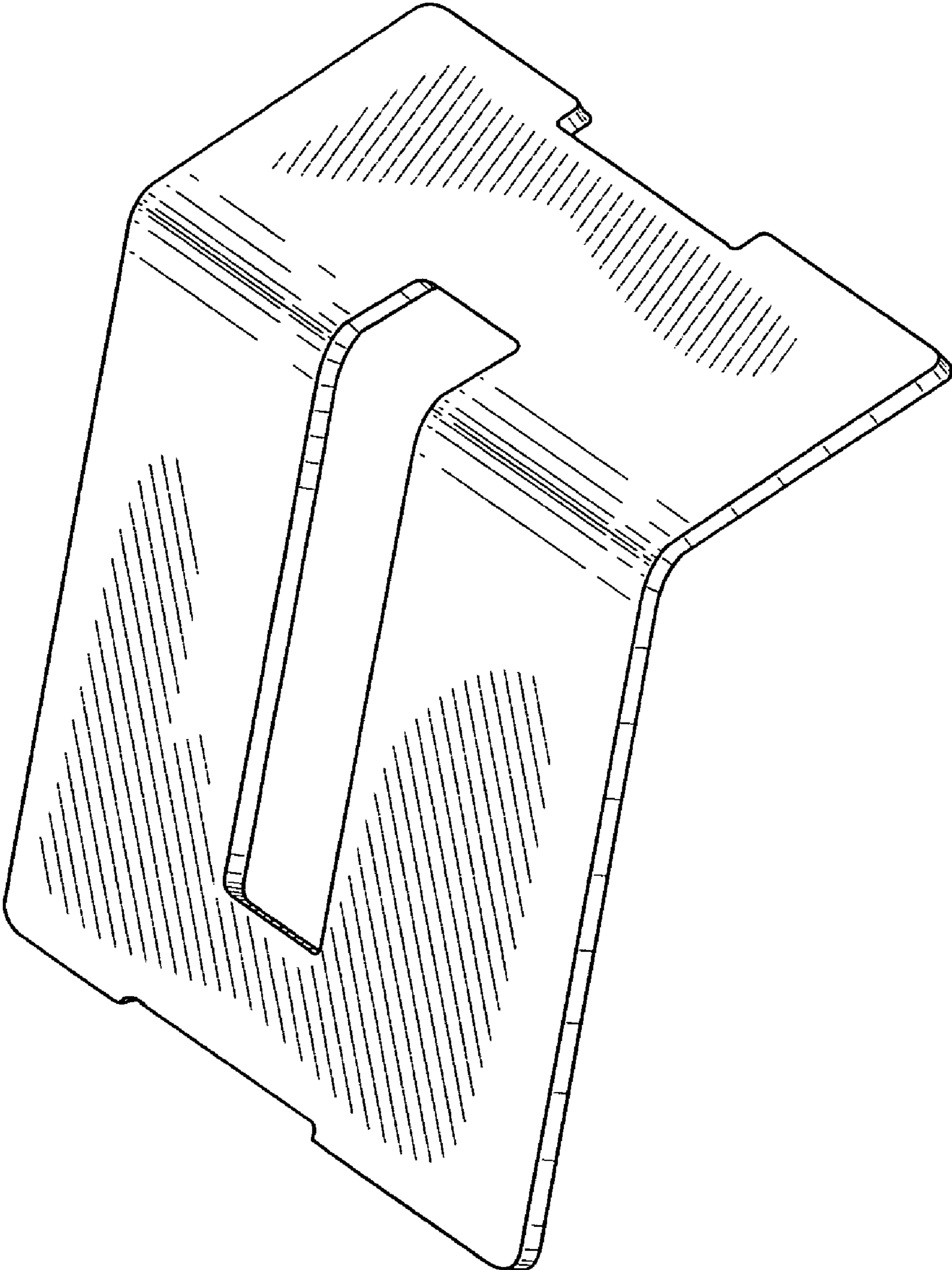




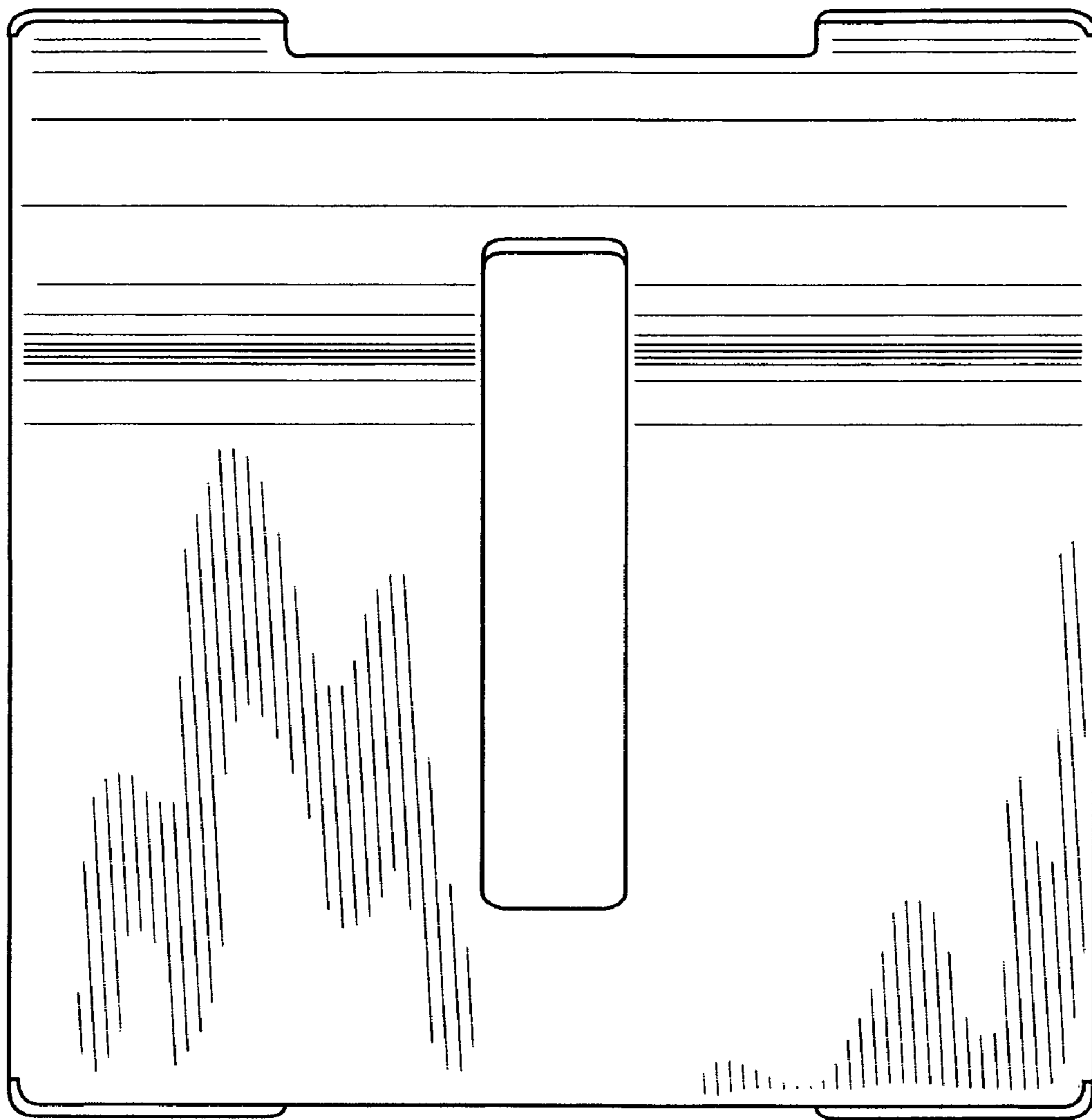
**FIG. 1**



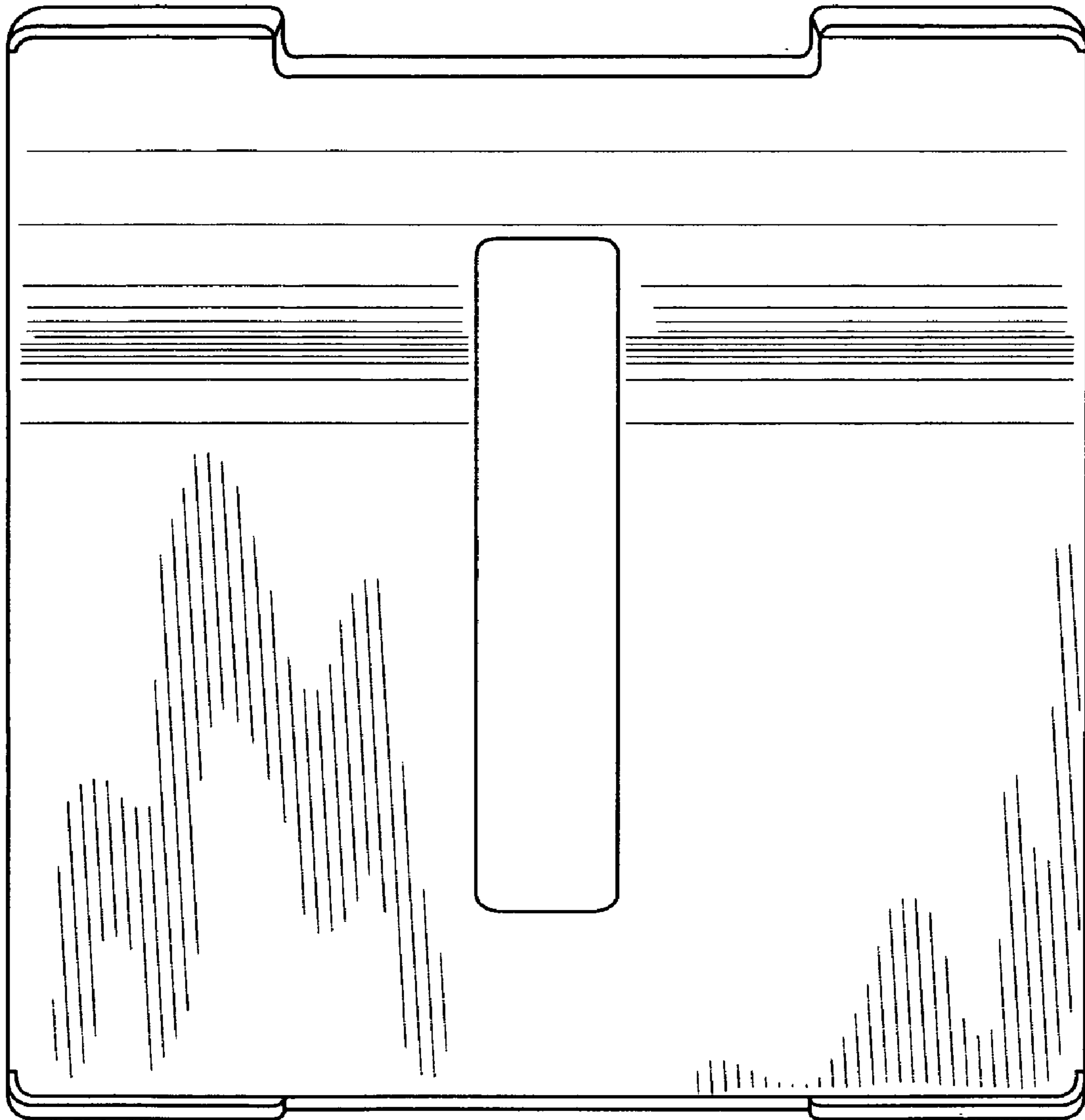
**FIG. 2**



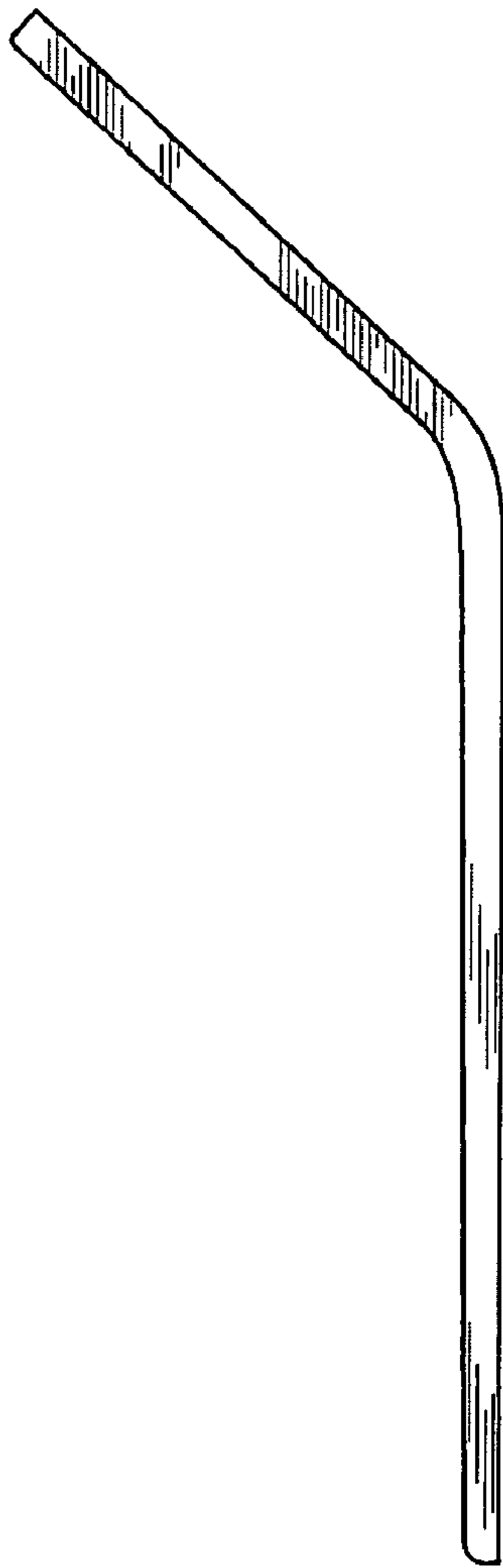
**FIG. 3**



**FIG. 4**



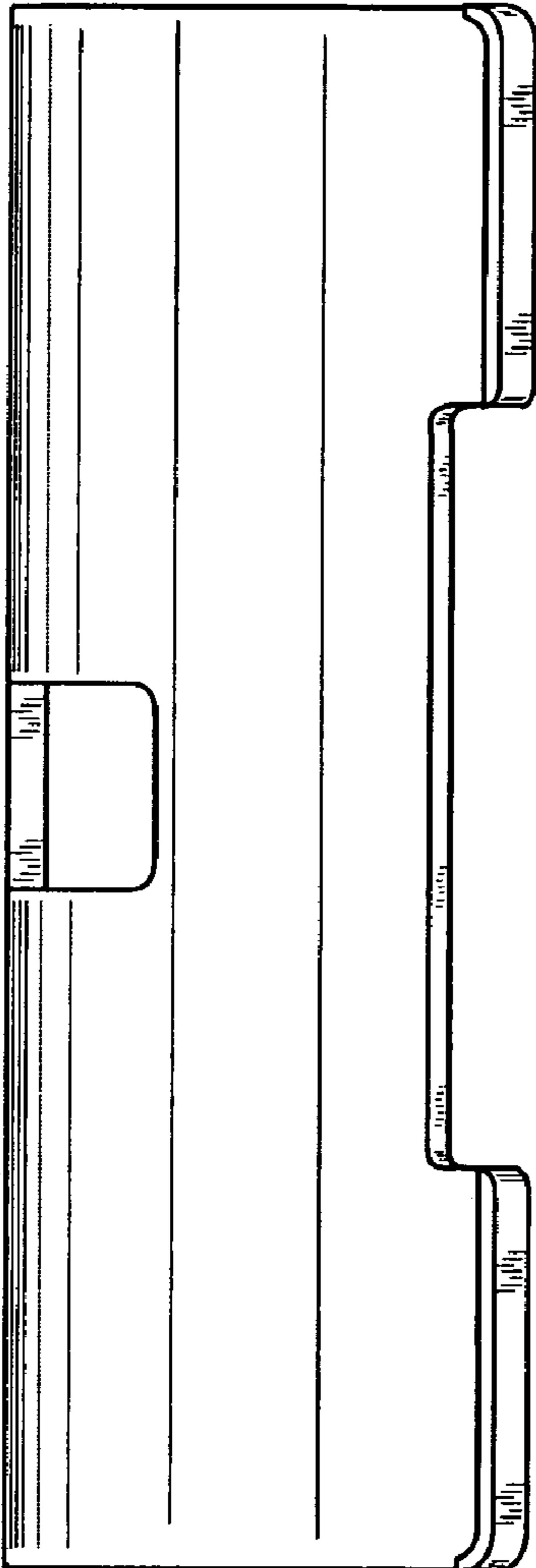
**FIG. 5**



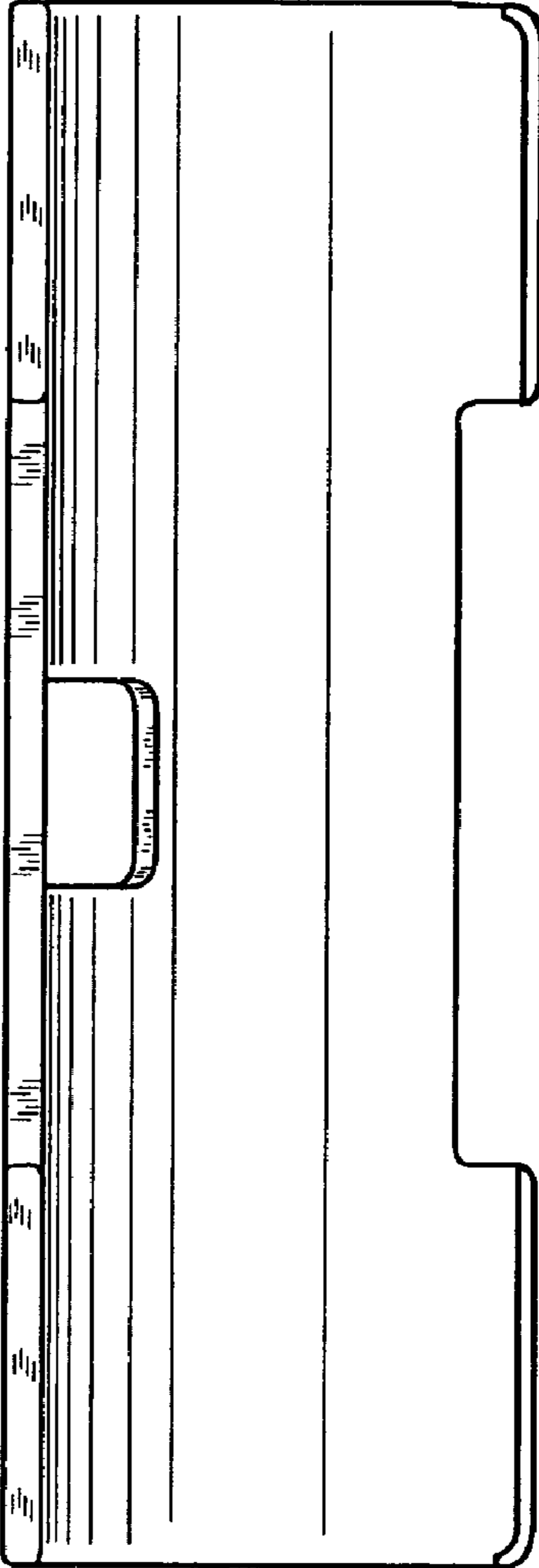
**FIG. 6**



**FIG. 7**



**FIG. 8**



**FIG. 9**