



US00D558189S

(12) **United States Design Patent**  
**Inoue**

(10) **Patent No.:** **US D558,189 S**

(45) **Date of Patent:** **\*\* Dec. 25, 2007**

(54) **INDOOR ANTENNA**

(75) Inventor: **Shigemi Inoue**, Kobe (JP)

(73) Assignee: **DX Antenna Company, Limited**,  
Hyogo pref. (JP)

(\*\*) Term: **14 Years**

(21) Appl. No.: **29/269,931**

(22) Filed: **Dec. 12, 2006**

(51) **LOC (8) Cl.** ..... **14-03**

(52) **U.S. Cl.** ..... **D14/230; D14/235**

(58) **Field of Classification Search** ..... D14/138,  
D14/230-238, 299, 358; D12/42, 43; 343/700 R-705,  
343/871-908, 795, 840, 711-713, 819, 846;  
455/90.2, 90.3, 91, 128, 269, 344, 347, 562.1  
See application file for complete search history.

(56) **References Cited**

**U.S. PATENT DOCUMENTS**

D275,673 S	9/1984	Iino et al.	
D300,531 S *	4/1989	Higgins	D14/230
D310,671 S *	9/1990	Weiss	D14/230
D326,097 S *	5/1992	Ferrario	D14/230
D345,982 S *	4/1994	Lucey	D14/230
D347,219 S *	5/1994	McGreevy	D14/137
D378,368 S *	3/1997	McGreevy	D14/137
D414,777 S	10/1999	Tsai	
D421,017 S	2/2000	Phipps	

D424,554 S *	5/2000	Overton et al.	D14/137
D449,593 S *	10/2001	Schultz	D14/235
6,435,932 B1 *	8/2002	Lynn	446/30
D501,000 S *	1/2005	Wang	D14/235
D501,467 S *	2/2005	Wang	D14/235
D506,749 S	6/2005	Sullivan et al.	

\* cited by examiner

*Primary Examiner*—Louis S. Zarfaz

*Assistant Examiner*—John Windmuller

(74) *Attorney, Agent, or Firm*—Wenderoth, Lind & Ponack,  
L.L.P.

(57) **CLAIM**

The ornamental design for an indoor antenna, as shown and described.

**DESCRIPTION**

FIG. 1 is a front elevational view of an indoor antenna showing my new design;

FIG. 2 is a rear elevational view thereof;

FIG. 3 is a top plan view thereof;

FIG. 4 is a bottom plan view thereof;

FIG. 5 is a right-side elevational view, the left being a mirror image thereof; and,

FIG. 6 is a perspective view thereof.

**1 Claim, 3 Drawing Sheets**

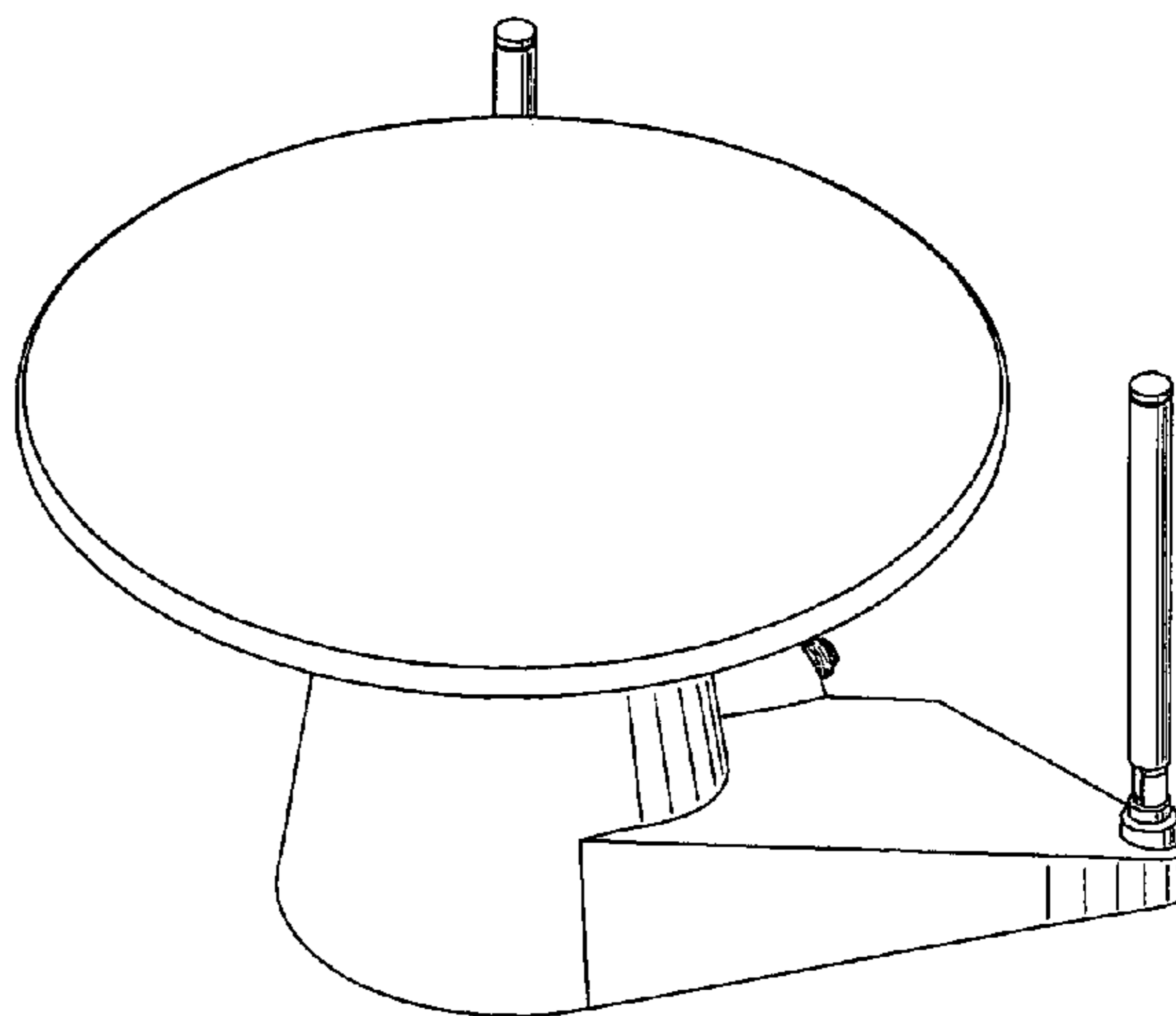
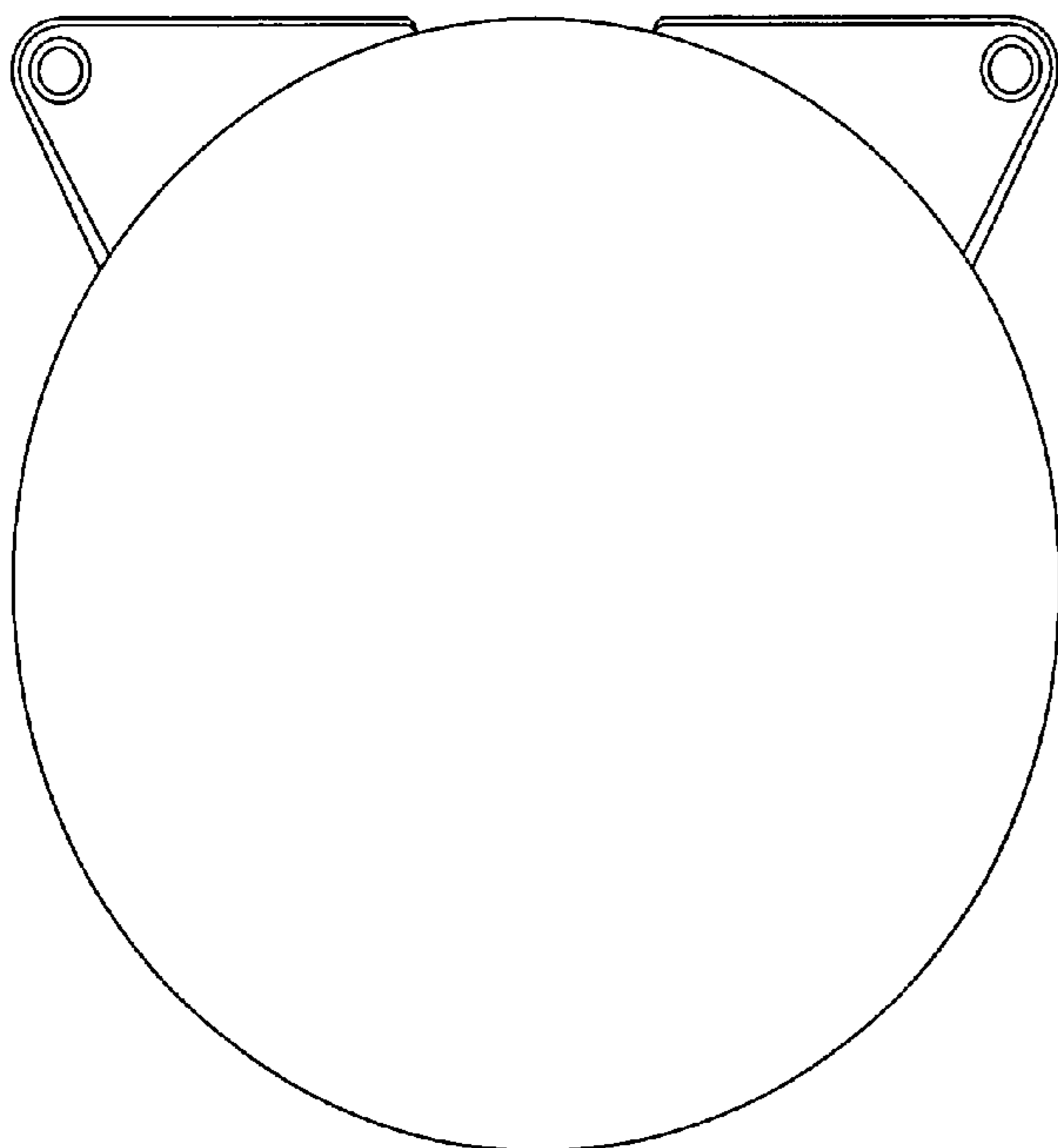


Fig. 1

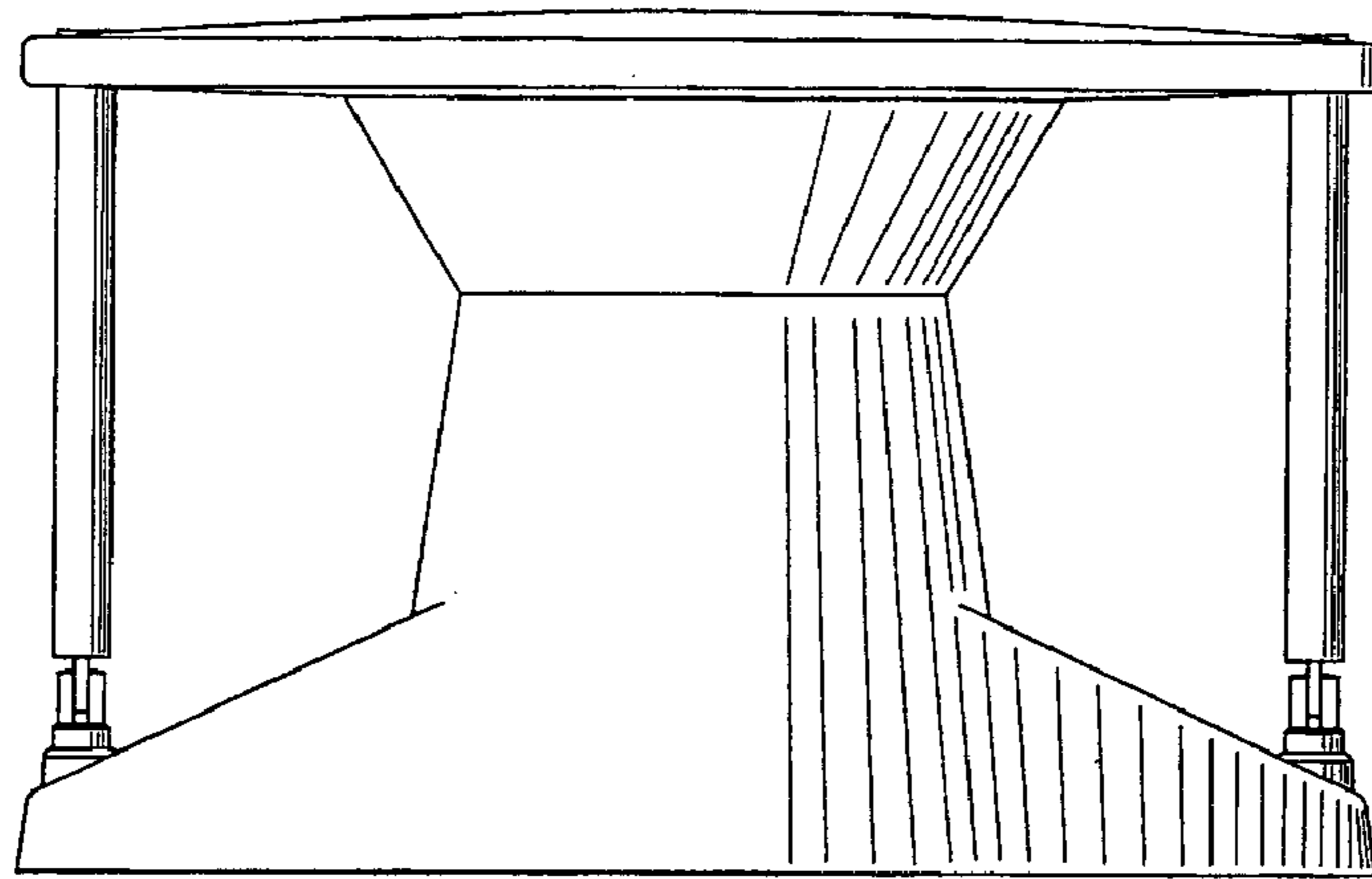


Fig. 2

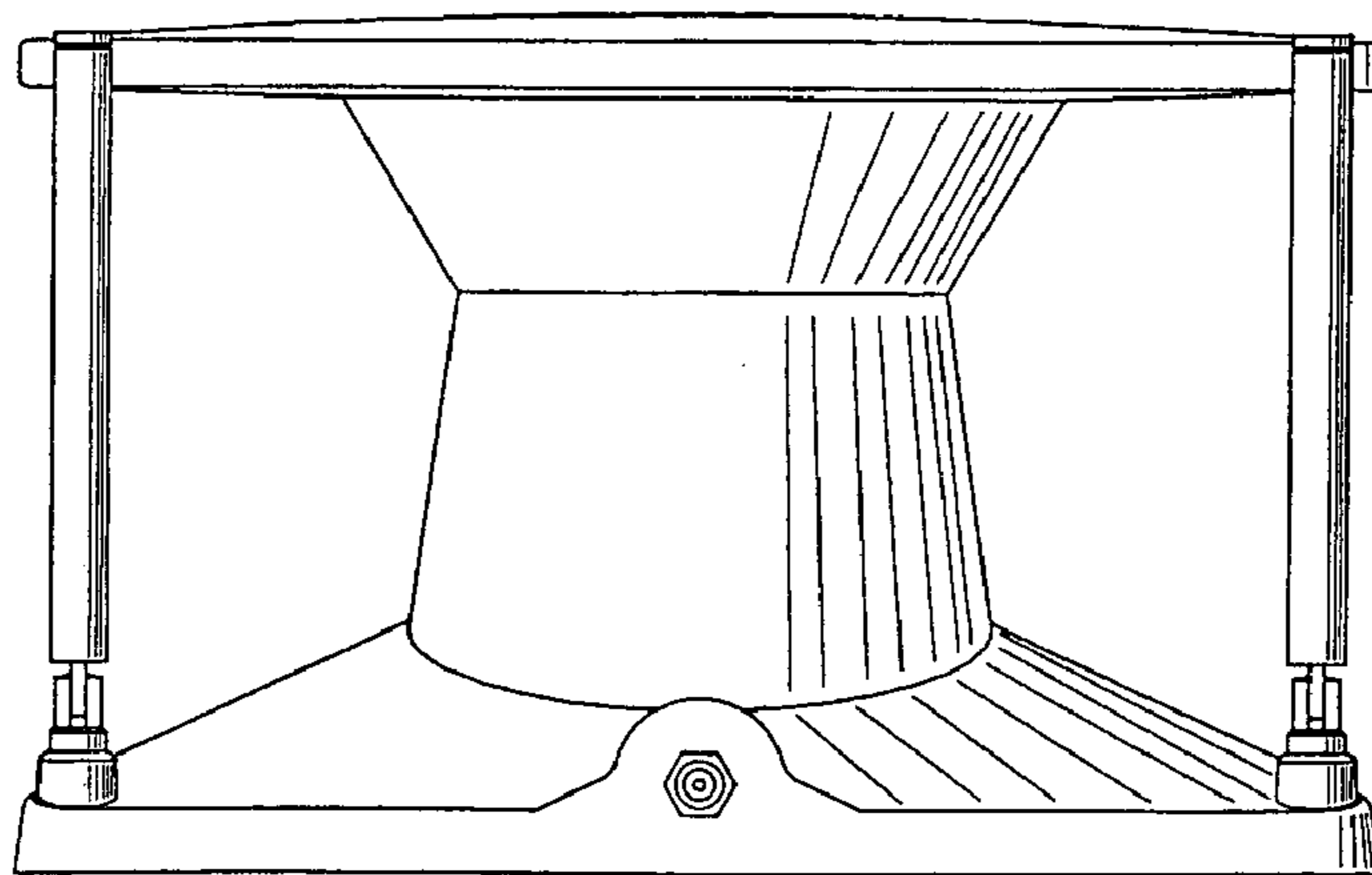


Fig. 3

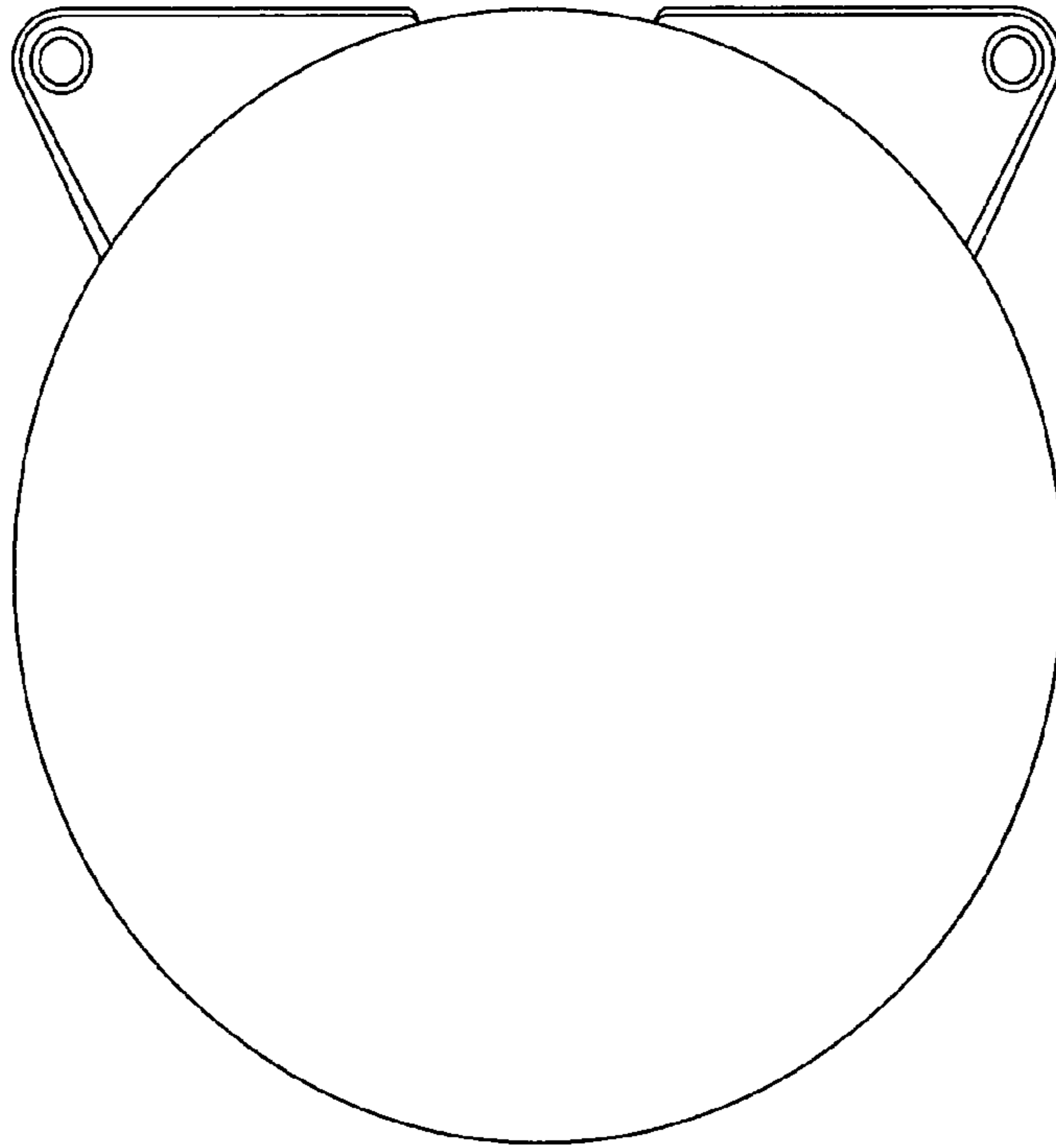


Fig. 4

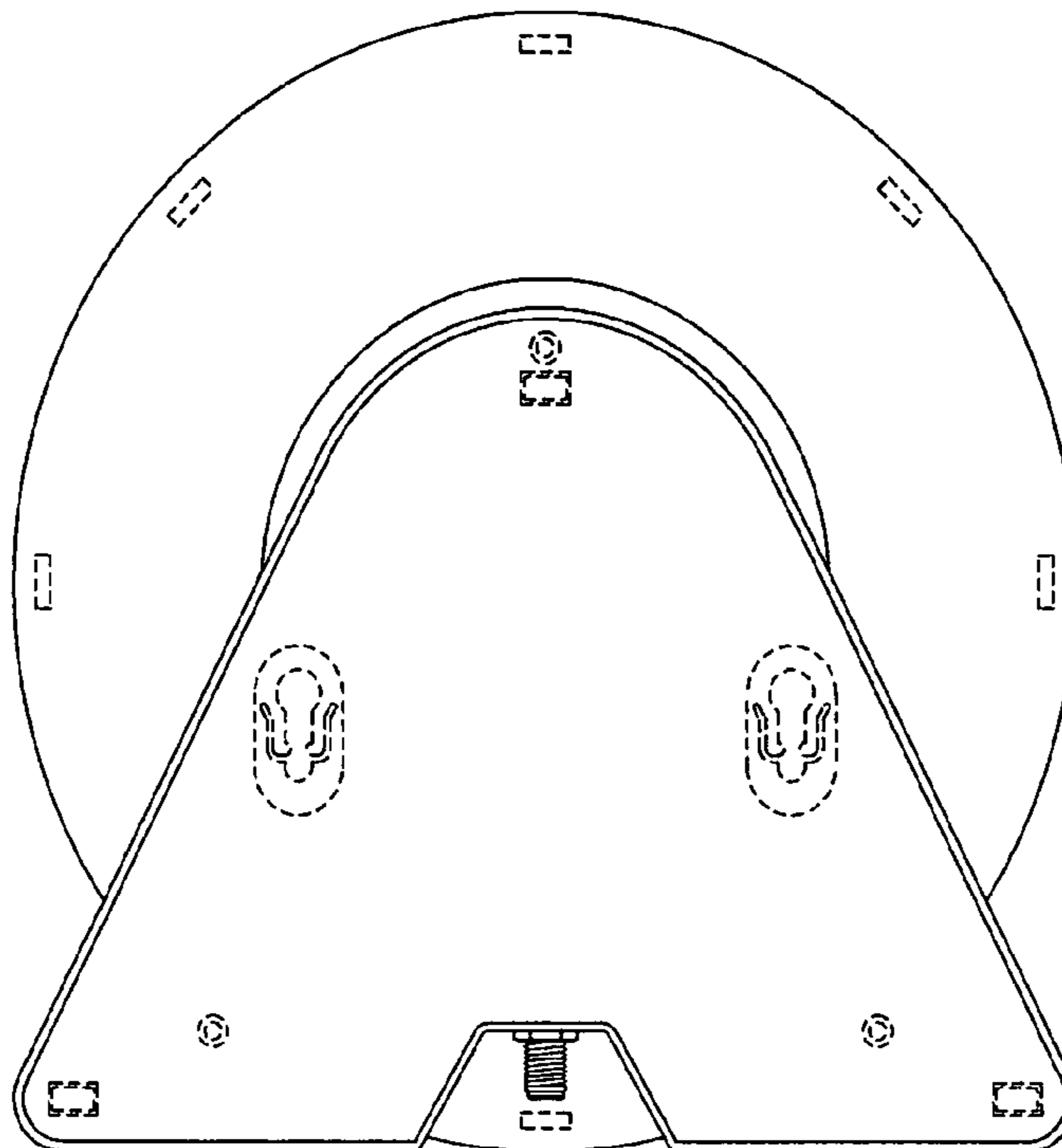


Fig. 5

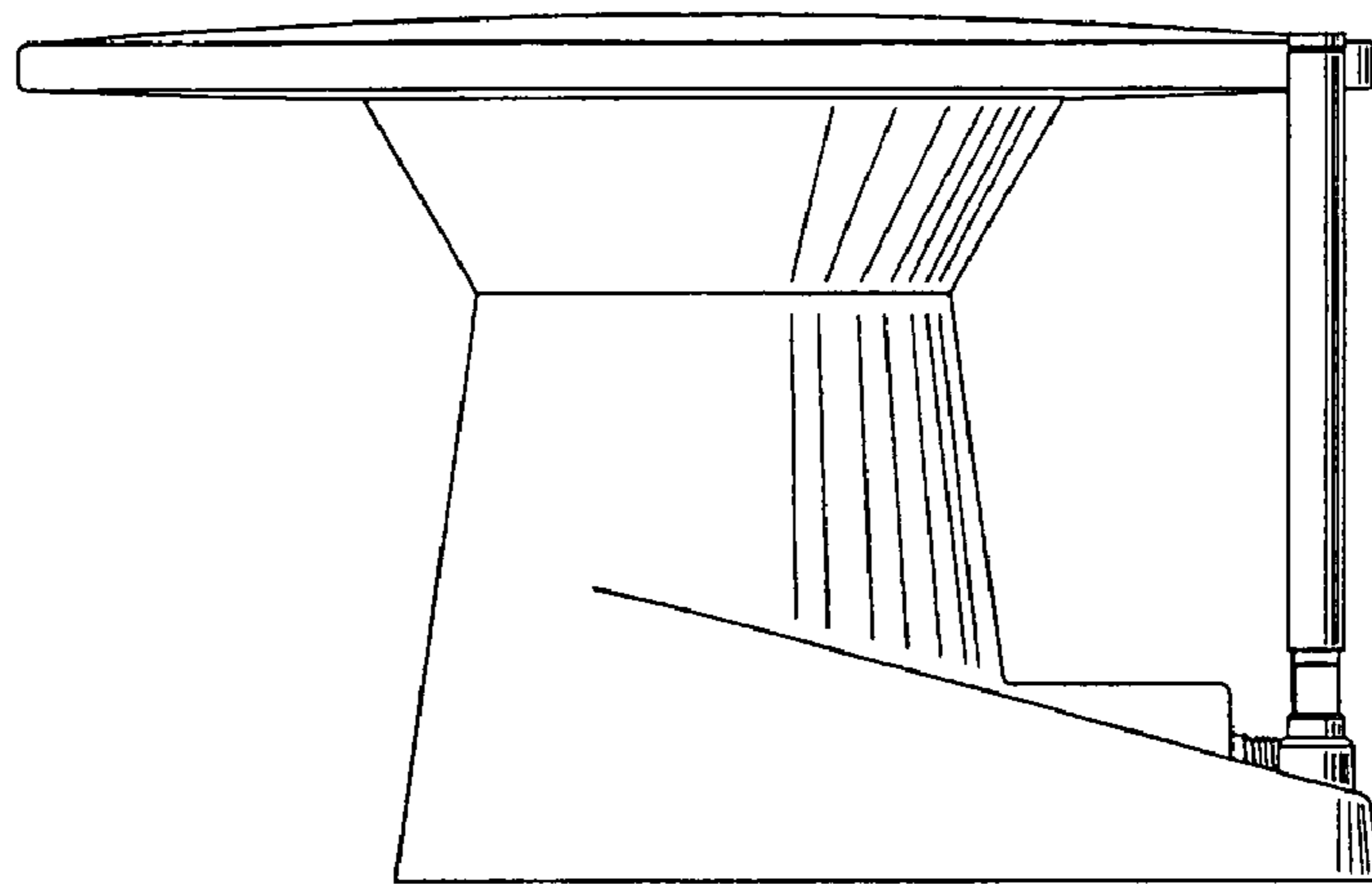


Fig. 6

