



US00D558188S

(12) **United States Design Patent**  
**Ikeda et al.**

(10) **Patent No.:** **US D558,188 S**

(45) **Date of Patent:** **\*\* Dec. 25, 2007**

(54) **HEADSET**

(75) Inventors: **John Ikeda**, Seattle, WA (US); **Jared Randall**, Seattle, WA (US)

(73) Assignee: **Microsoft Corporation**, Redmond, WA (US)

(\*\*) Term: **14 Years**

(21) Appl. No.: **29/275,199**

(22) Filed: **Dec. 15, 2006**

(51) **LOC (8) Cl.** ..... **14-01**

(52) **U.S. Cl.** ..... **D14/223**

(58) **Field of Classification Search** ..... D14/205–206,  
D14/223, 191, 192, 188, 218, 248–249, 137–138;  
181/129–130; 379/430, 431, 433; 381/375,  
381/381, 382, 390, 370  
See application file for complete search history.

(56) **References Cited**

U.S. PATENT DOCUMENTS

D237,090	S	*	10/1975	Yanagawa	.....	D14/205
D321,881	S	*	11/1991	Hopewell	.....	D14/192
5,881,161	A	*	3/1999	Liu	.....	381/381
D449,295	S	*	10/2001	Smith et al.	.....	D14/223
D458,919	S	*	6/2002	Arjomand et al.	.....	D14/218
D464,638	S	*	10/2002	Huang	.....	D14/205
D464,949	S	*	10/2002	DeKalb et al.	.....	D14/218
D481,376	S	*	10/2003	Eguchi	.....	D14/223

D488,461	S	*	4/2004	Okada et al.	.....	D14/223
D505,415	S	*	5/2005	Han et al.	.....	D14/223
D509,200	S	*	9/2005	Harris	.....	D14/138
7,013,018	B2	*	3/2006	Bogeskov-Jensen	.....	381/381
D543,972	S	*	6/2007	Taylor	.....	D14/223

\* cited by examiner

*Primary Examiner*—Paula A. Greene

(74) *Attorney, Agent, or Firm*—Banner & Witcoff, Ltd.

(57) **CLAIM**

The ornamental design for a headset, as shown and described.

**DESCRIPTION**

FIG. 1 is an outer perspective view of a headset showing our new design;

FIG. 2 is an outer elevational view thereof;

FIG. 3 is an inner elevational view thereof;

FIG. 4 is a bottom plan view thereof;

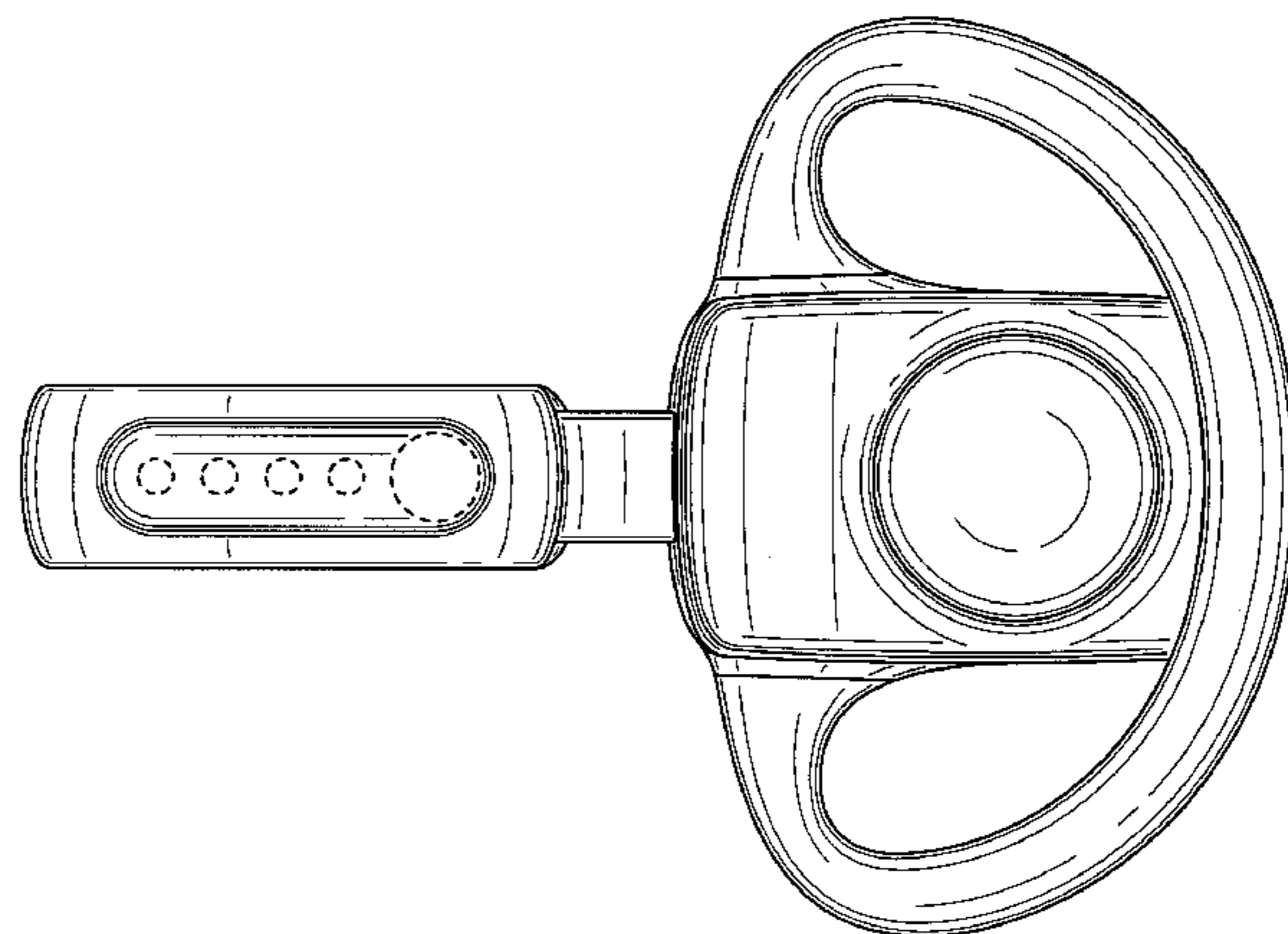
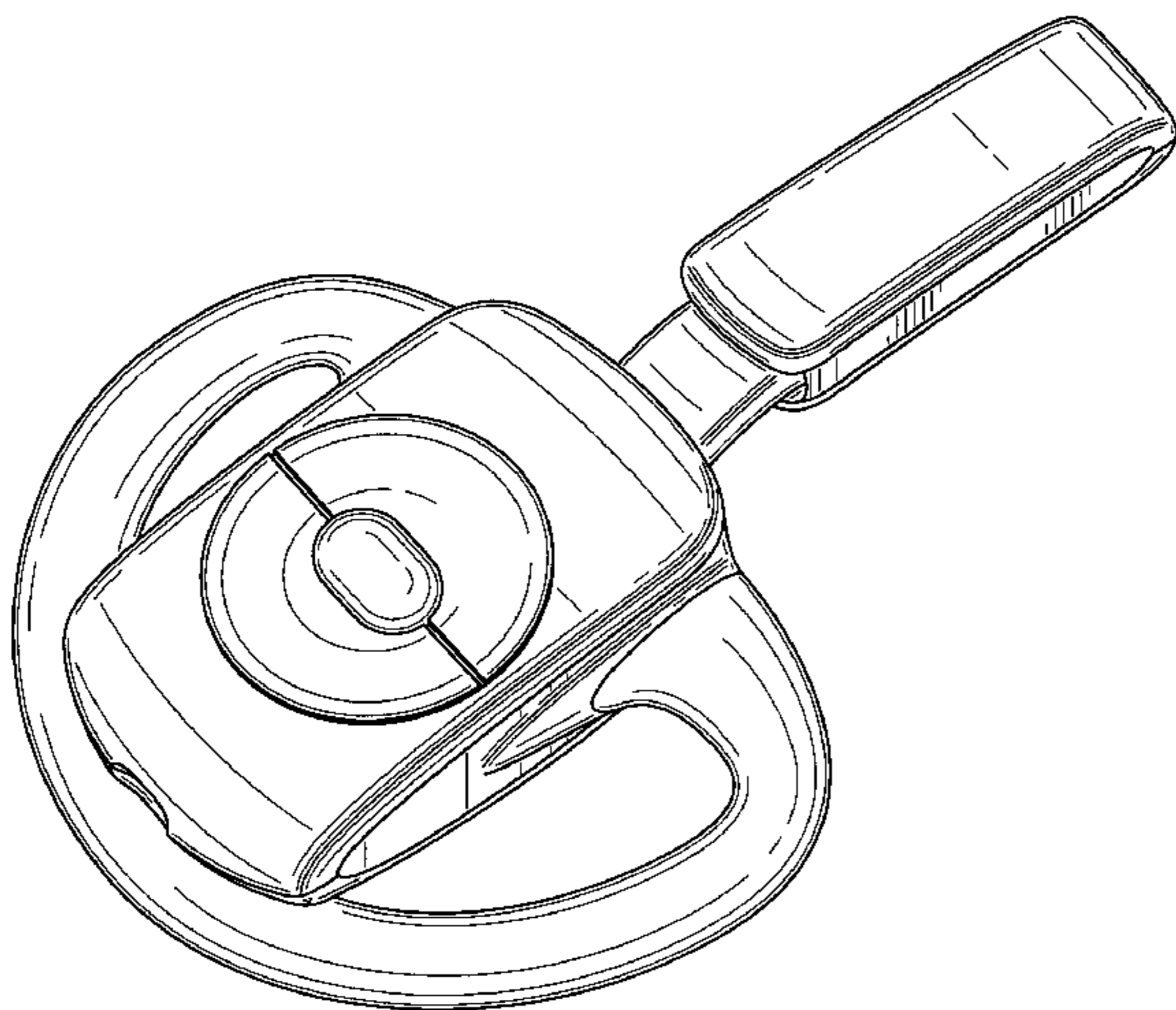
FIG. 5 is a top plan view thereof;

FIG. 6 is a rear view thereof; and,

FIG. 7 is a front view thereof.

The broken line showing of the circular regions in FIG. 3 is for illustrative purposes only and forms no part of the claimed design.

**1 Claim, 3 Drawing Sheets**



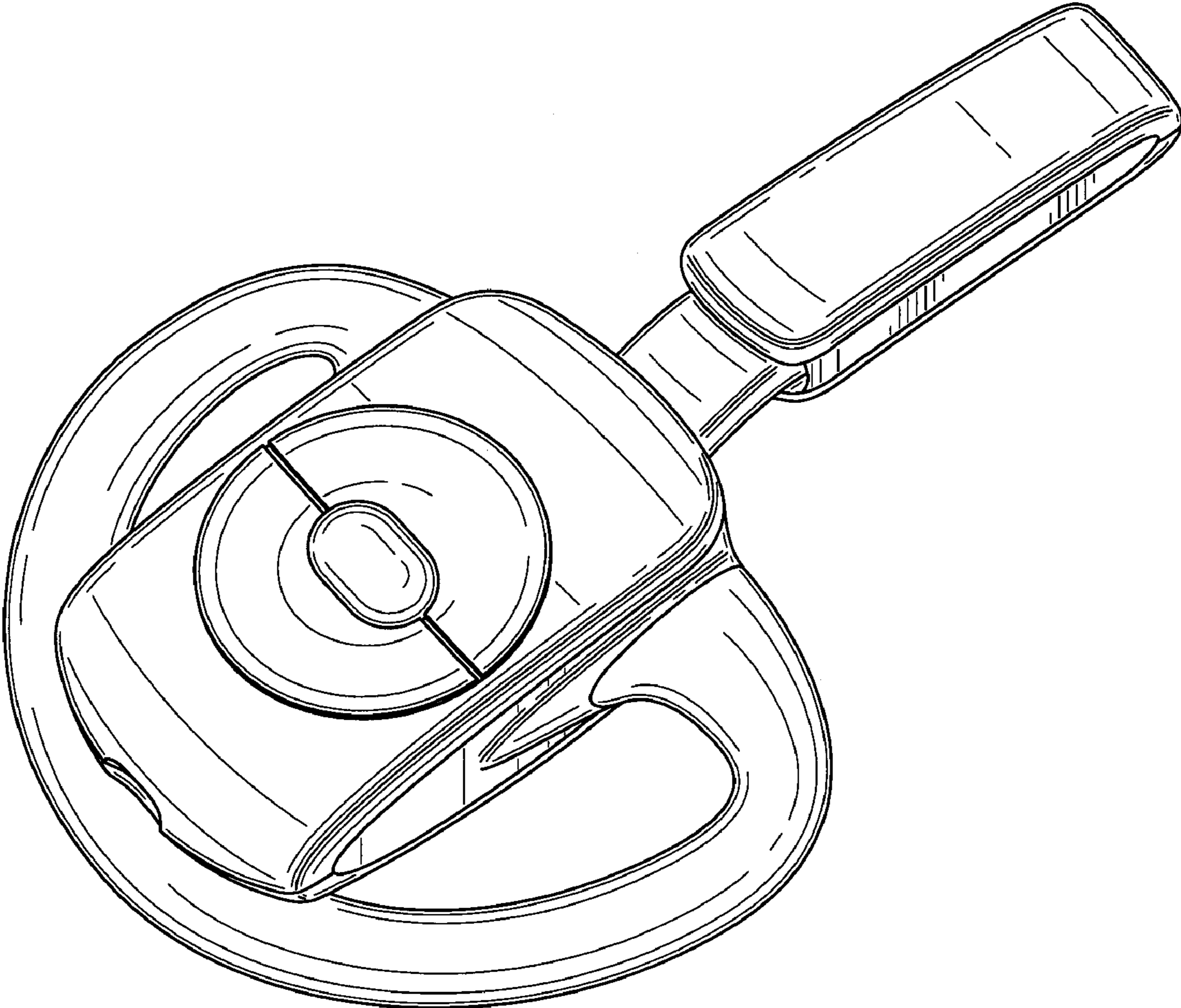


FIG. 1

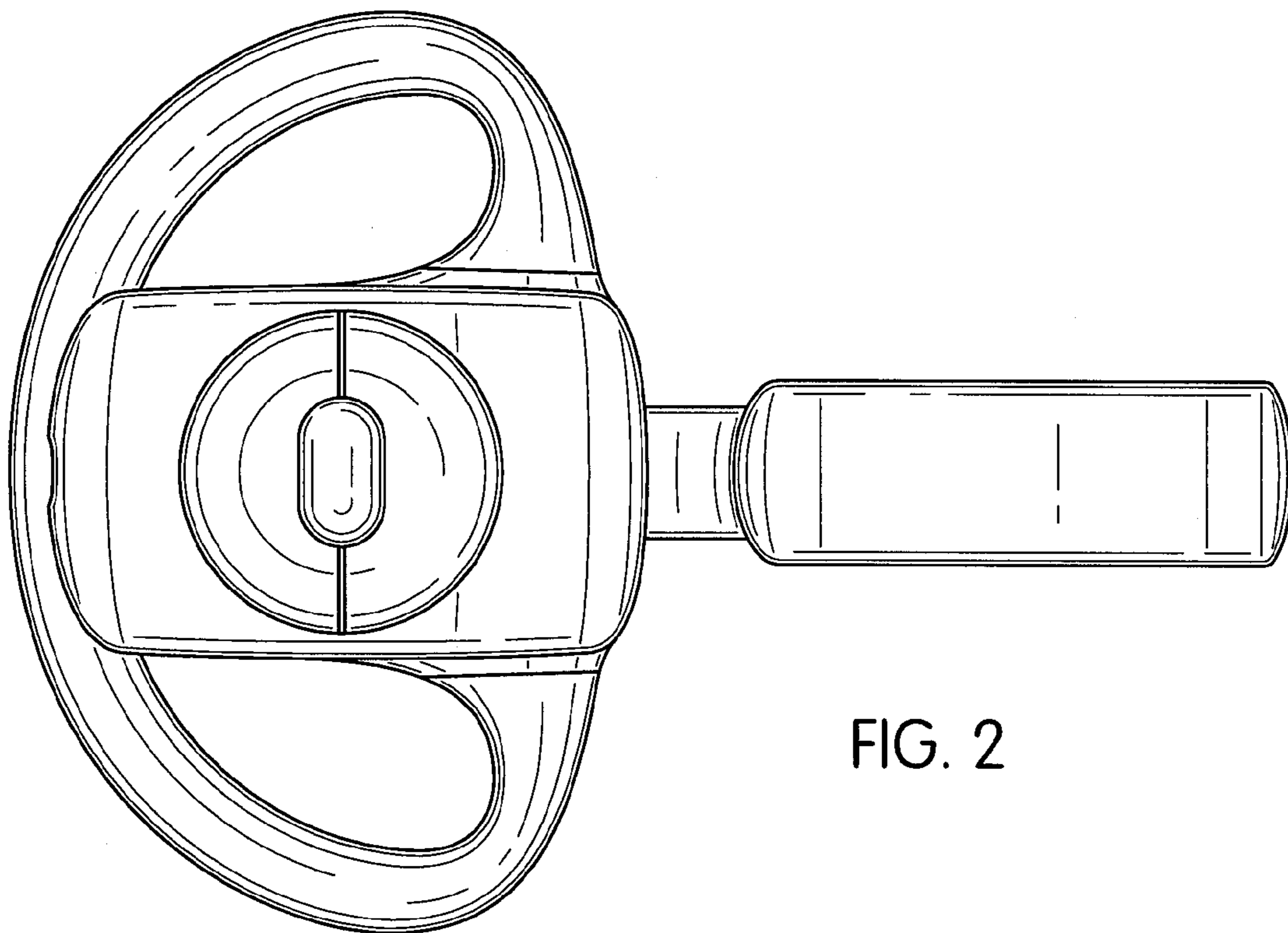


FIG. 2

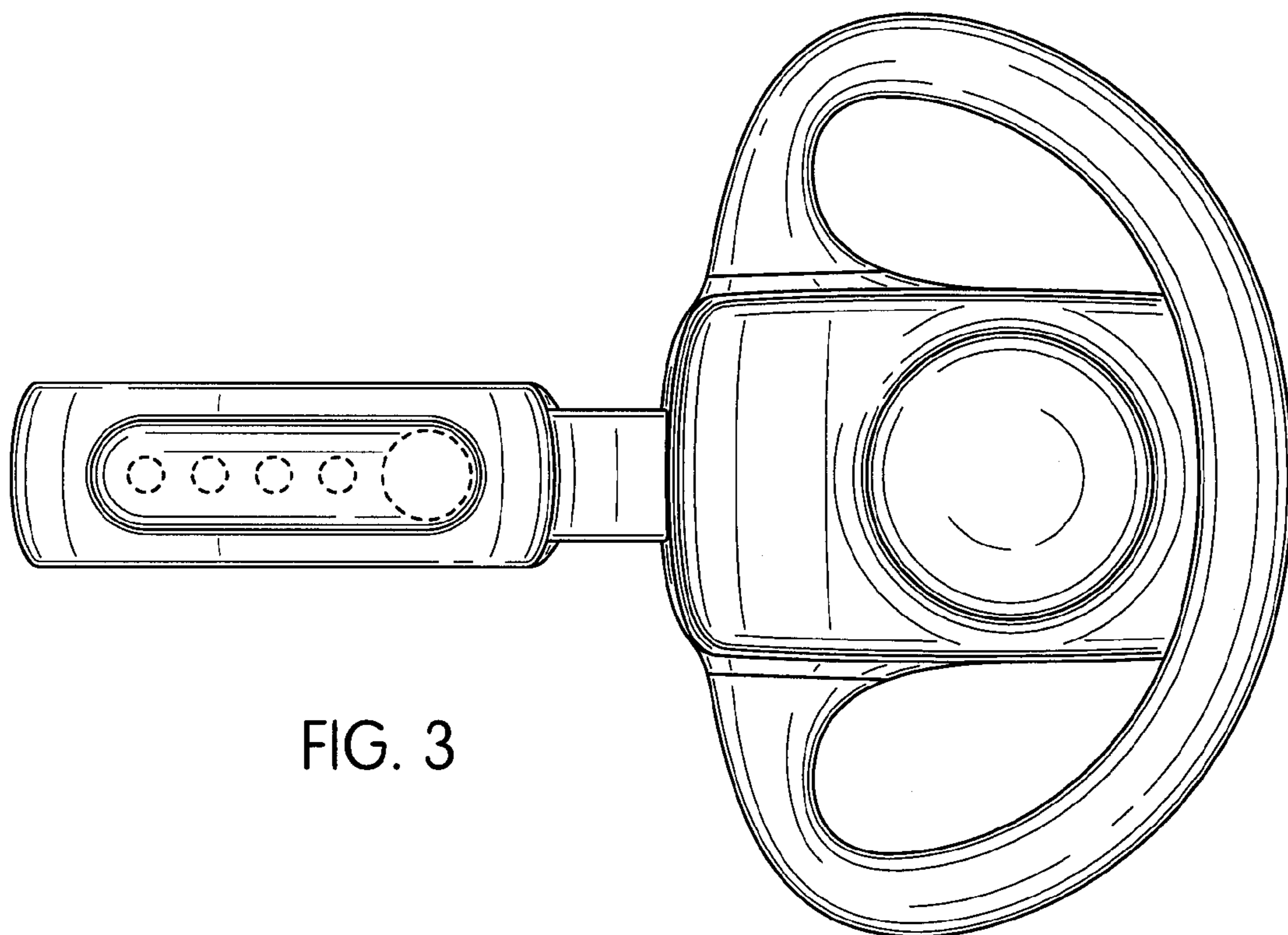


FIG. 3



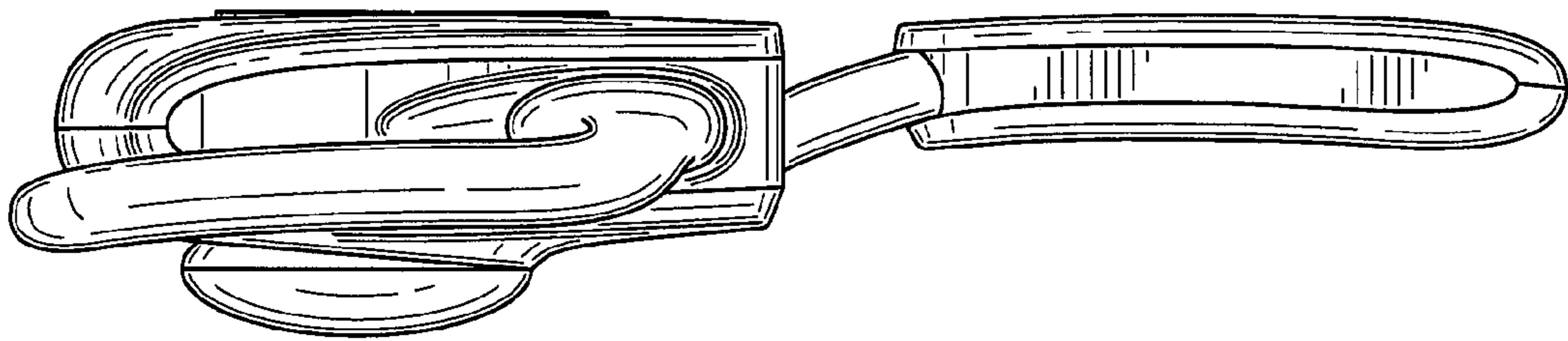


FIG. 4

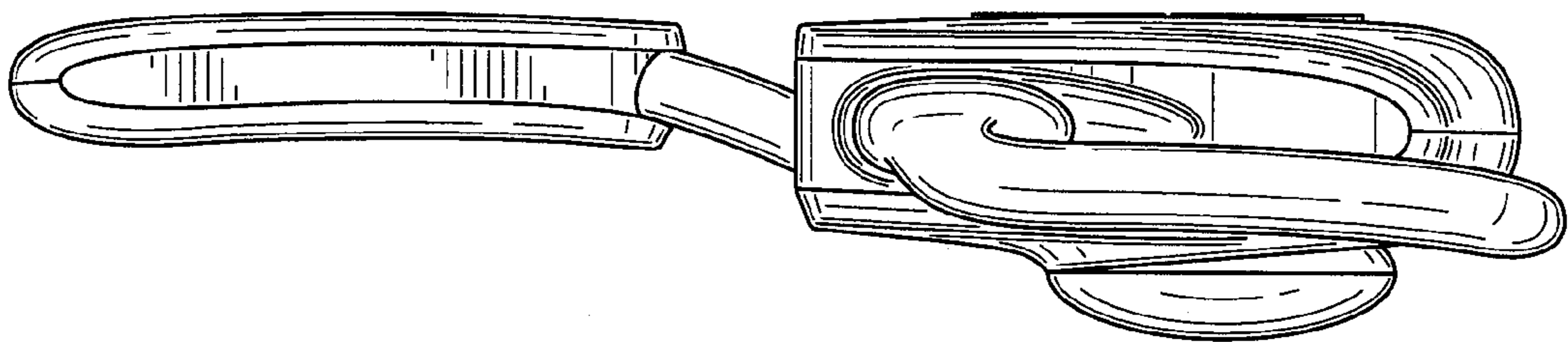


FIG. 5

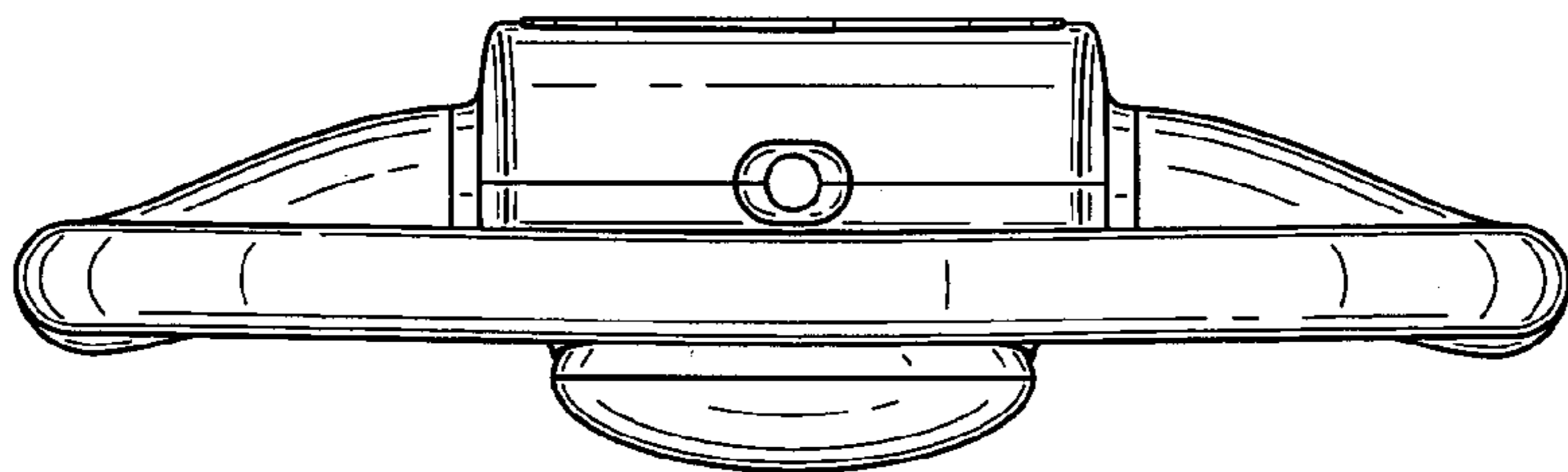


FIG. 6

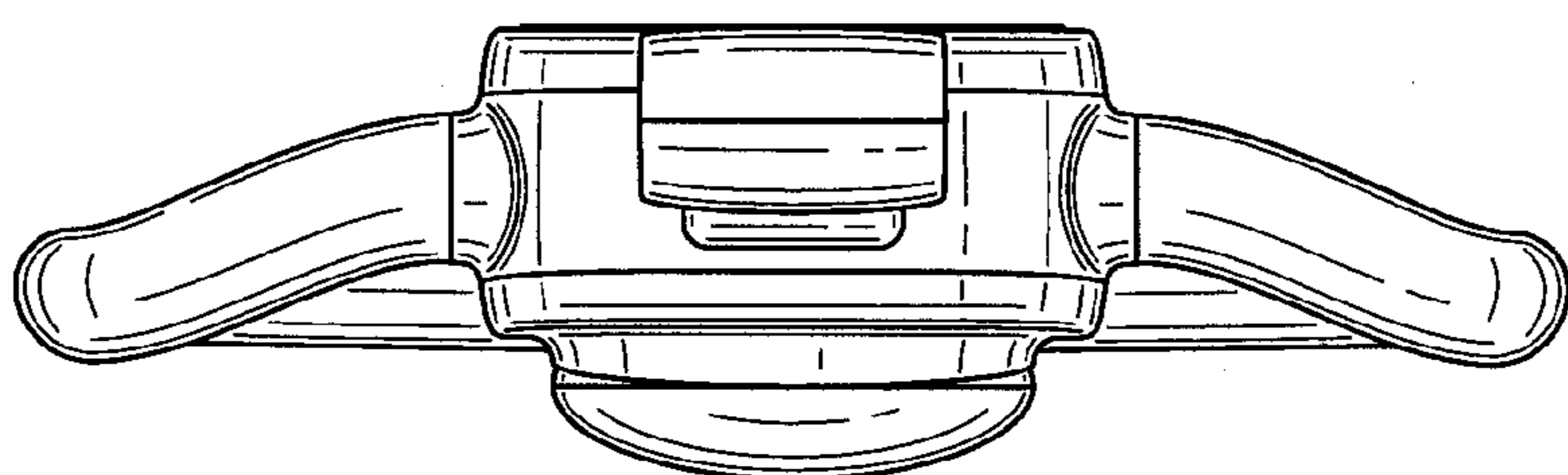


FIG. 7