



US00D558186S

(12) **United States Design Patent**
Kim

(10) **Patent No.:** **US D558,186 S**

(45) **Date of Patent:** **** Dec. 25, 2007**

(54) **HI-FI MINI AUDIO SYSTEM WITH WIRELESS TECHNOLOGY FOR MP3 PLAYER**

D514,090 S * 1/2006 Carbone et al. D14/214
D523,419 S * 6/2006 Joseph D14/214
7,095,867 B2 * 8/2006 Schul et al. 381/334

(75) Inventor: **Maria Kim**, Great Neck, NY (US)

* cited by examiner

Primary Examiner—Nanda Bondade

(73) Assignee: **JWIN Electronics Corp.**, Port Washington, NY (US)

(57) **CLAIM**

(**) Term: **14 Years**

The ornamental design for a hi-fi mini audio system with wireless technology for MP3 player, as shown.

(21) Appl. No.: **29/267,367**

(22) Filed: **Oct. 13, 2006**

DESCRIPTION

(51) **LOC (8) Cl.** **14-01**

FIG. 1 is a top plan view of a hi-fi mini audio system with wireless technology for MP3 player showing my new design;

(52) **U.S. Cl.** **D14/214; D14/217; D14/168**

FIG. 2 is a left side elevational view thereof;

(58) **Field of Classification Search** D14/204,
D14/209–217, 168, 172, 188, 496; 181/143–144,
181/147–148, 150, 157, 198–199, 151, 153;
381/300–302, 306, 333, 345, 361–364, 386–388,
381/332, 336; 455/573, 344, 130
See application file for complete search history.

FIG. 3 is a front elevational view thereof;

FIG. 4 is a right side elevational view thereof;

FIG. 5 is a rear elevational view thereof;

FIG. 6 is a bottom plan view thereof;

FIG. 7 is a right front side perspective view thereof; and,

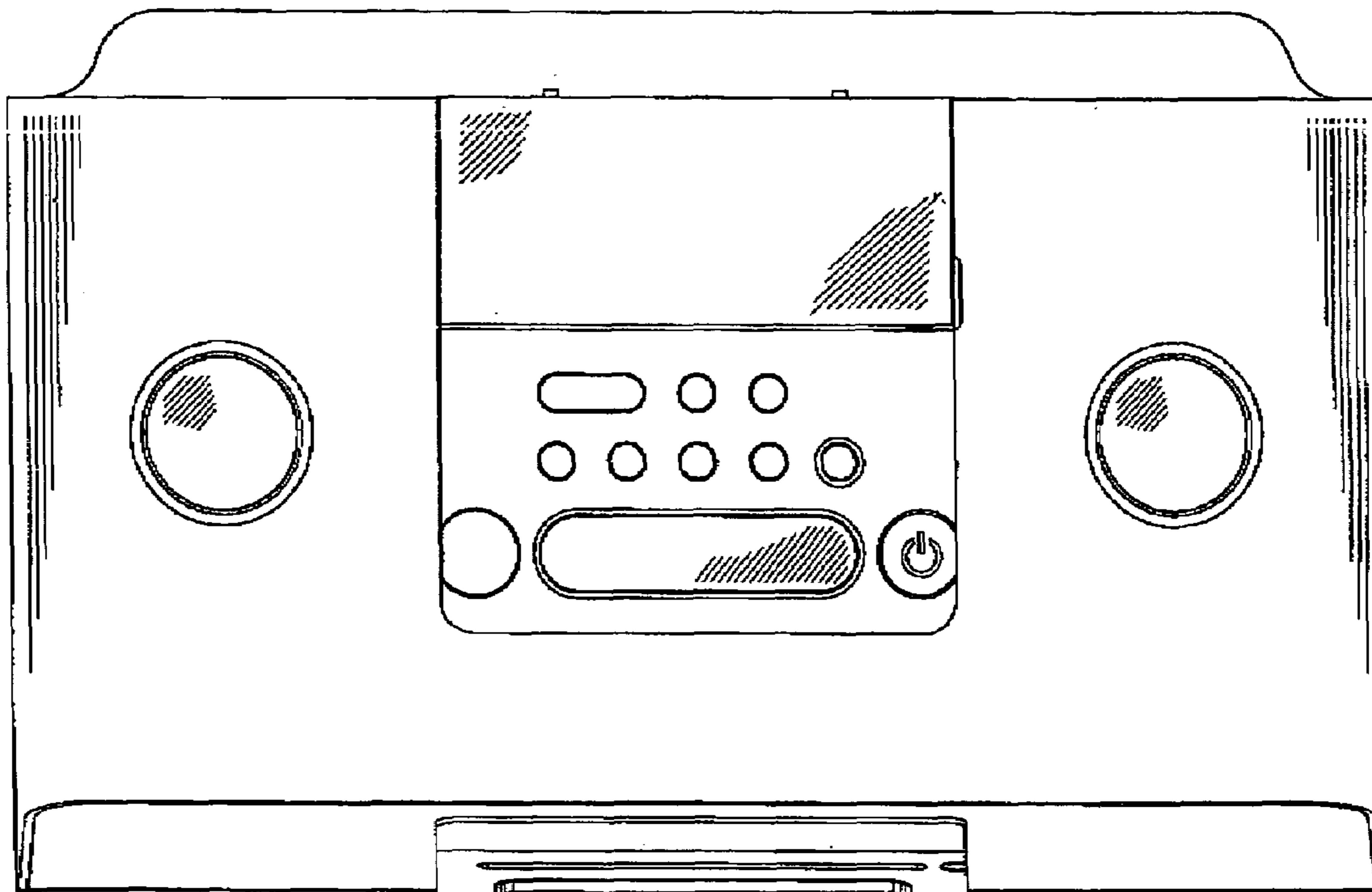
FIG. 8 is a right rear side perspective view thereof.

(56) **References Cited**

U.S. PATENT DOCUMENTS

D422,590 S * 4/2000 Kloss D14/194

1 Claim, 8 Drawing Sheets



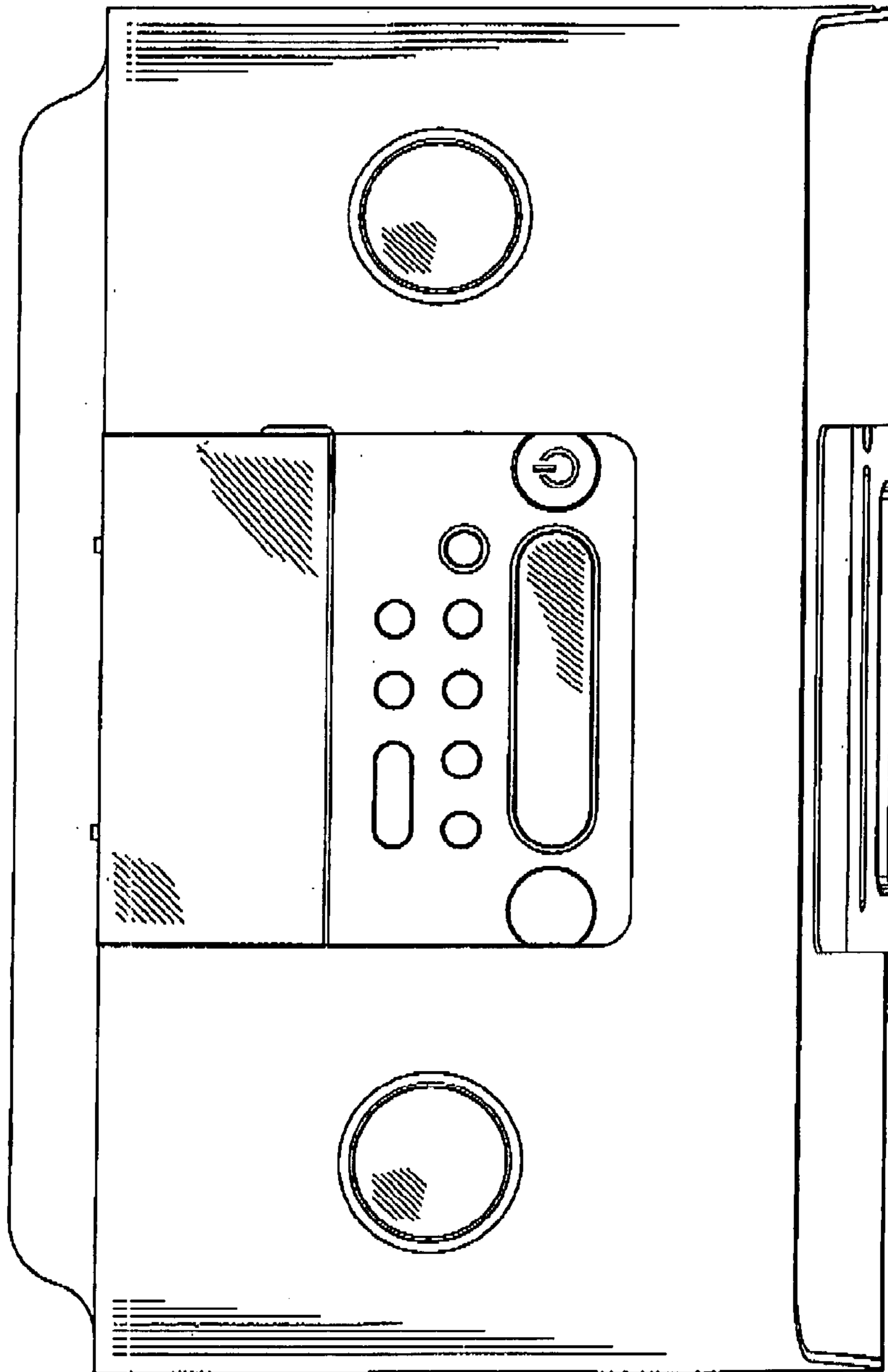


FIG. 1

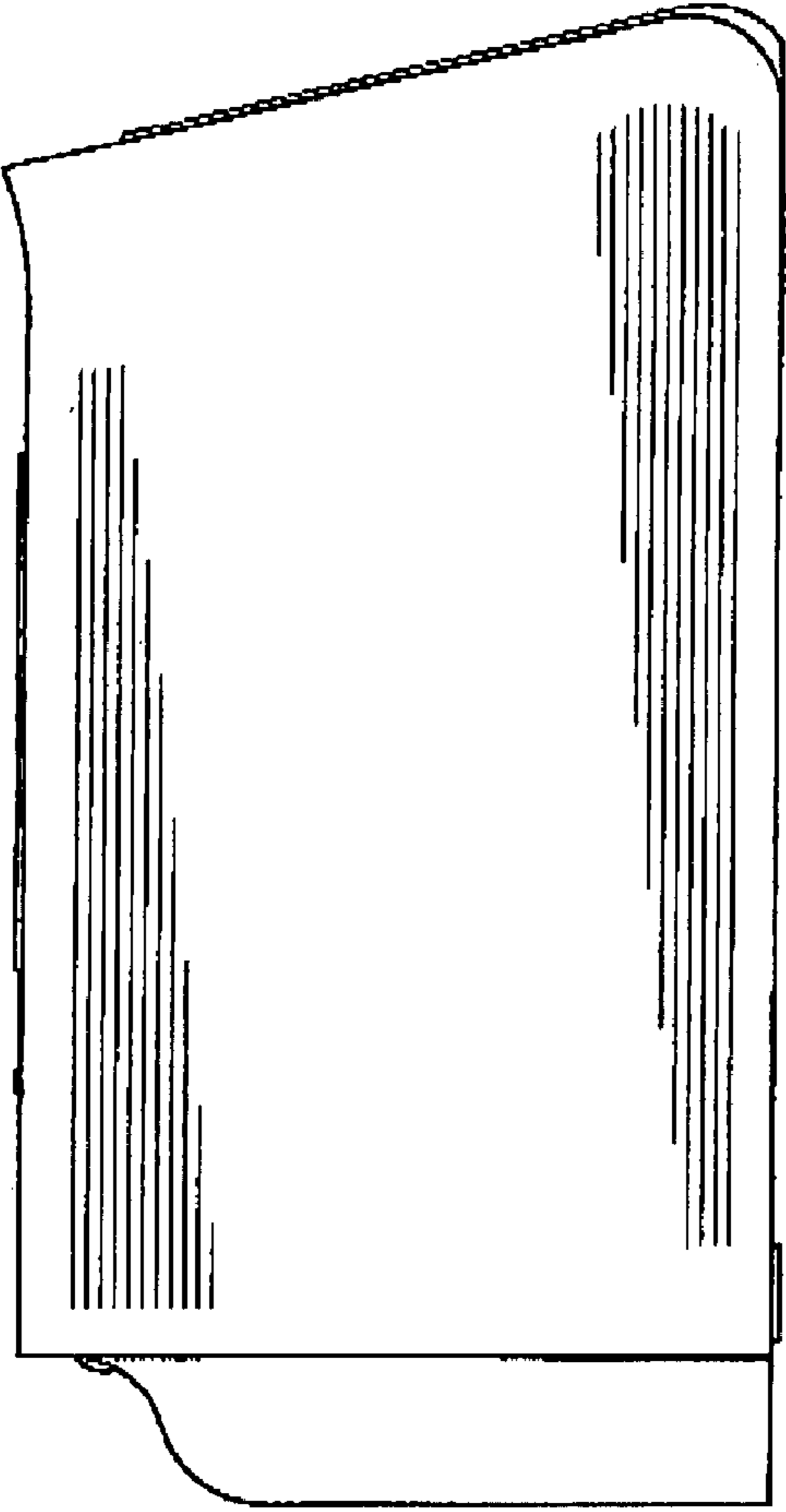


FIG. 2

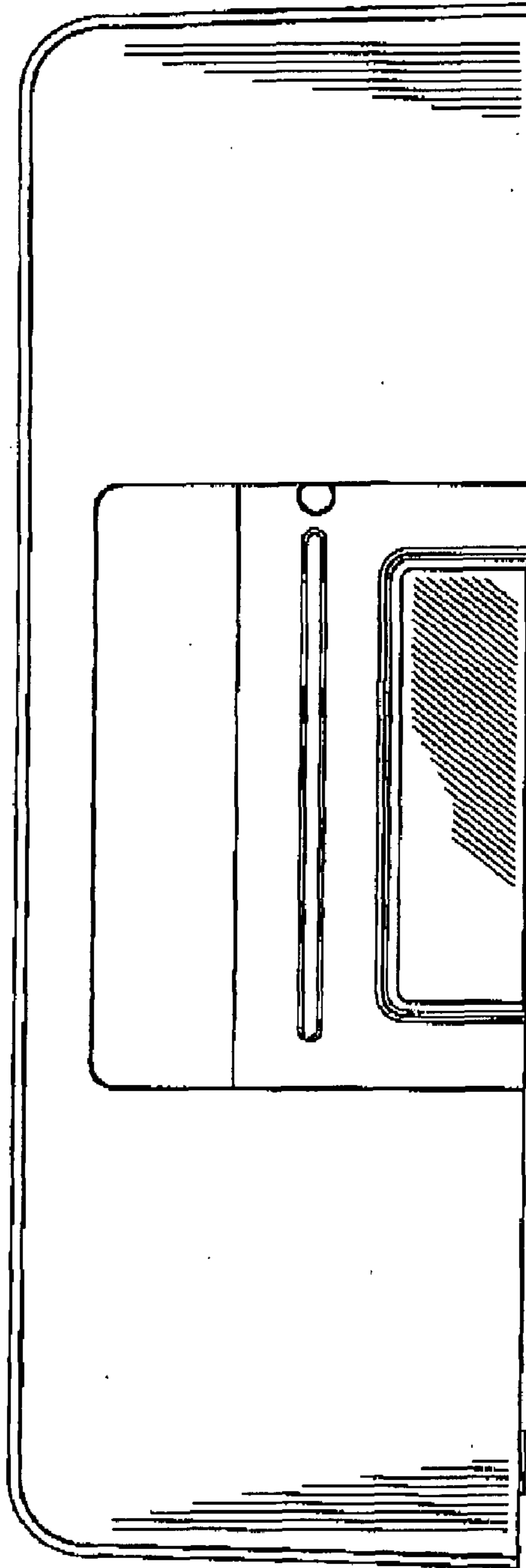


FIG. 3

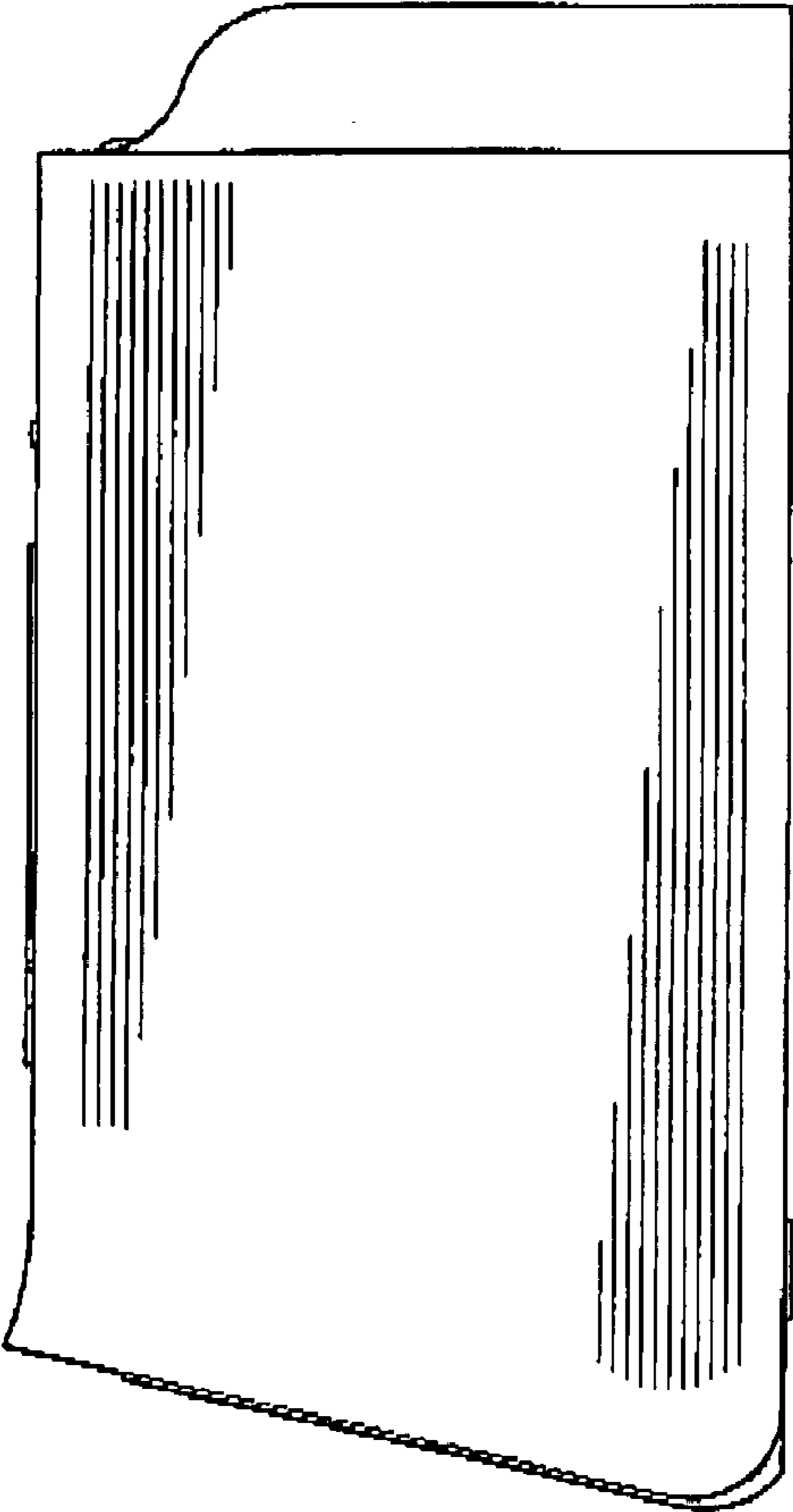


FIG. 4

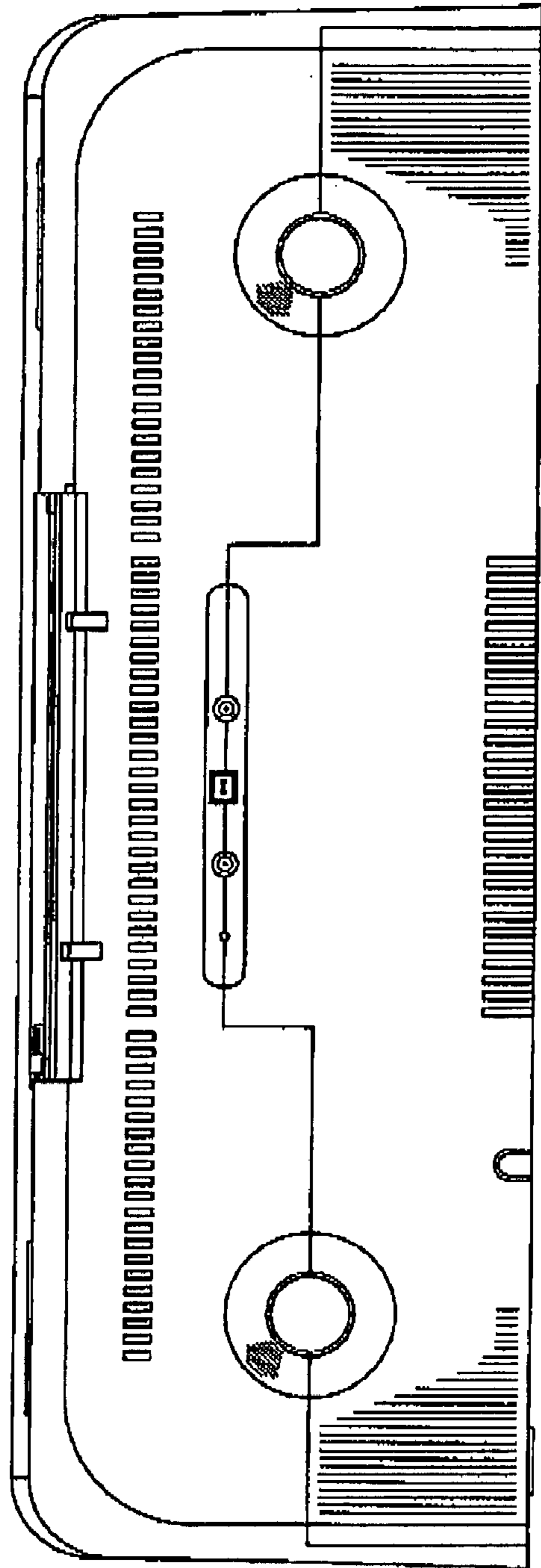


FIG. 5

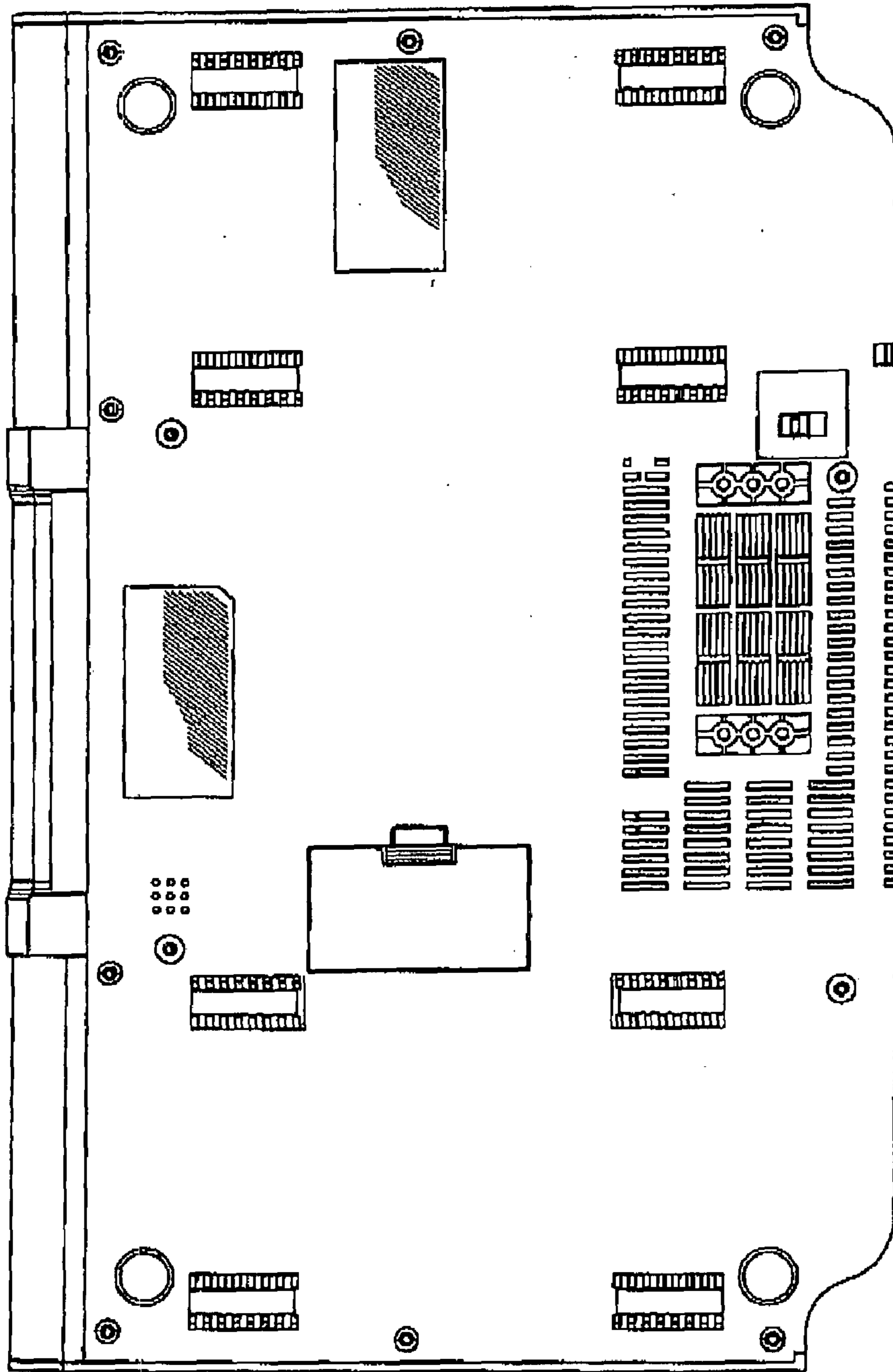


FIG. 6

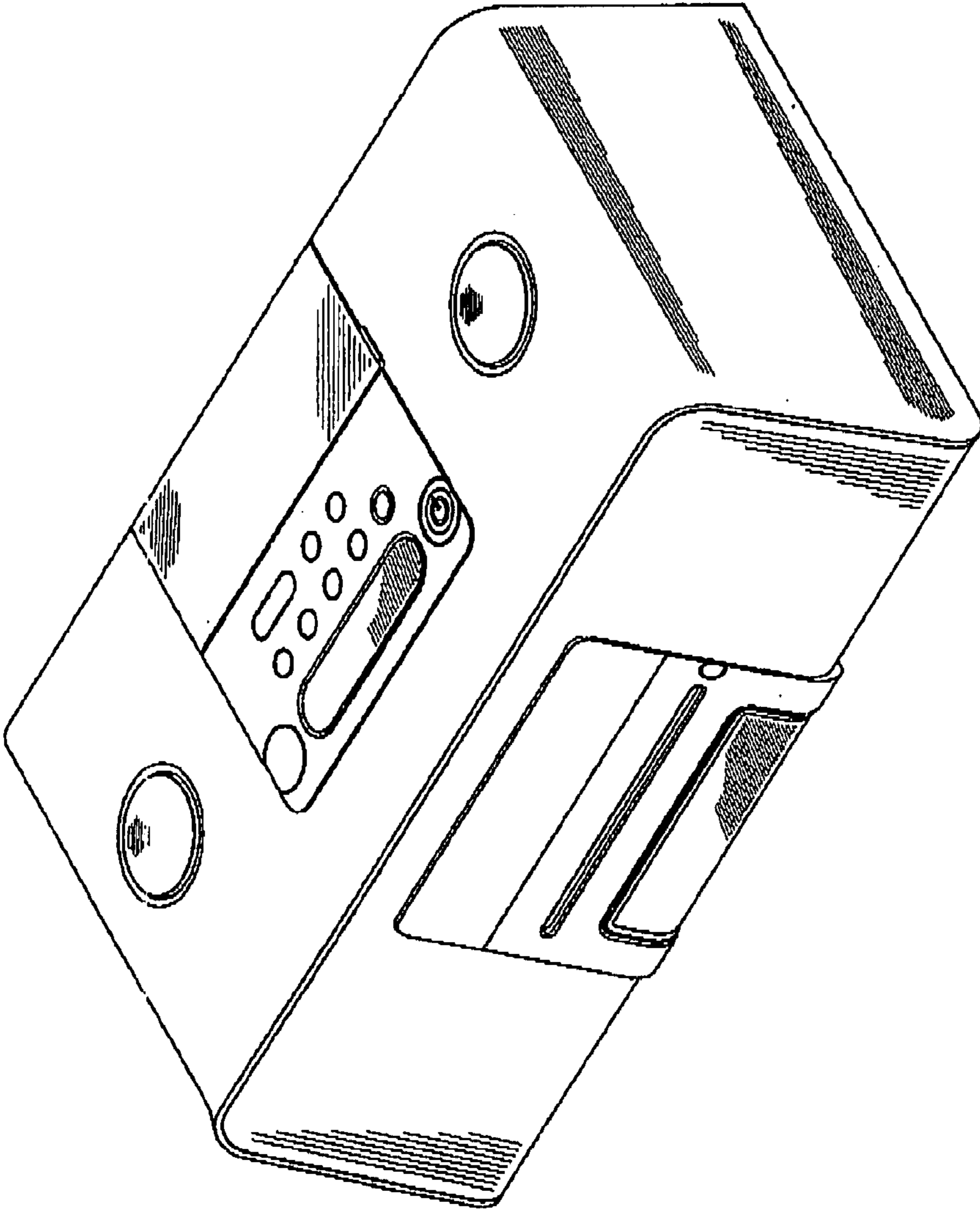


FIG. 7

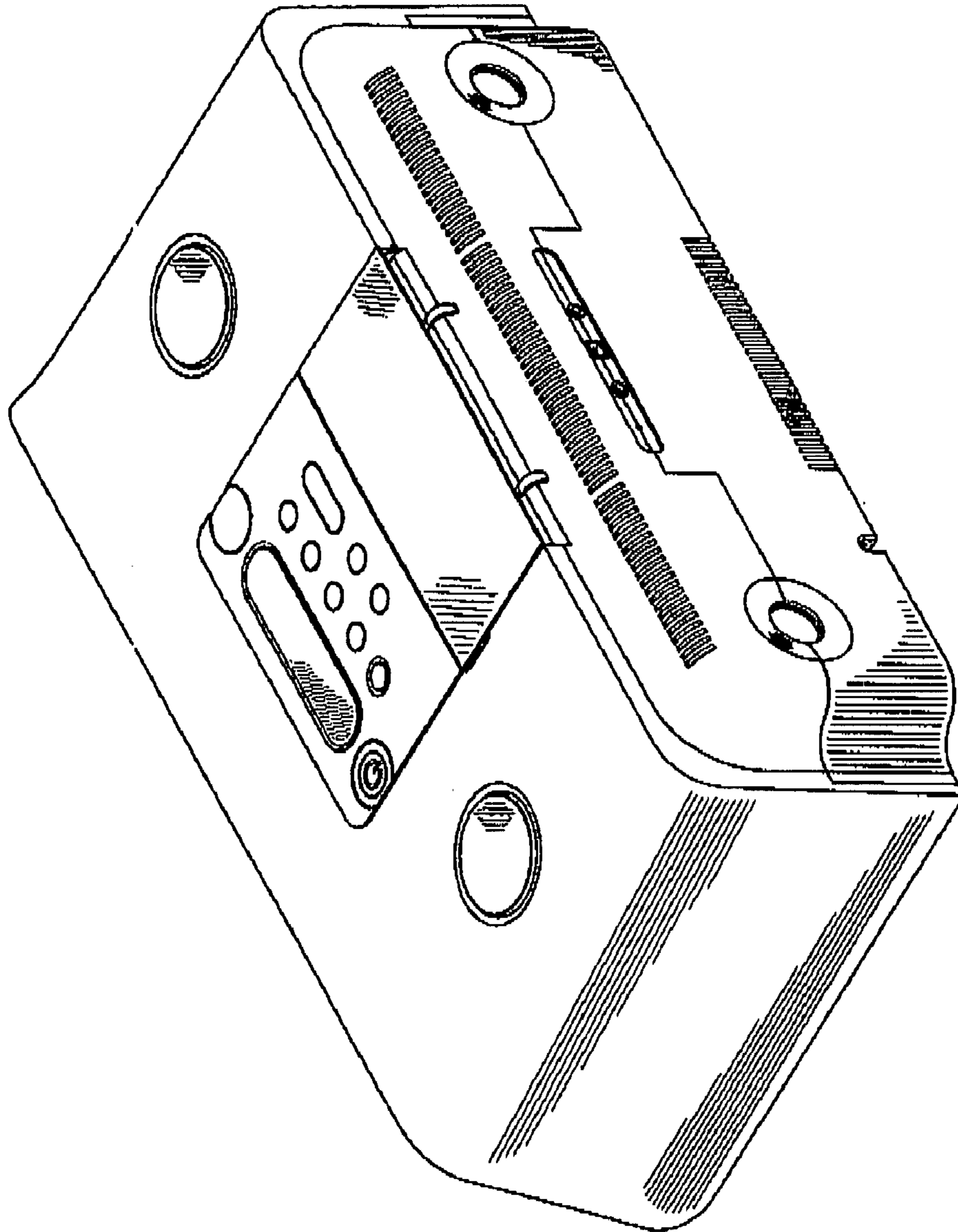


FIG. 8