



US00D558185S

(12) **United States Design Patent** (10) **Patent No.:** **US D558,185 S**
Schul et al. (45) **Date of Patent:** **** Dec. 25, 2007**

(54) **PORTABLE SPEAKER SYSTEM FOR MEDIA PLAYER** D514,545 S * 2/2006 Watanabe D14/168
D517,040 S * 3/2006 Hasegawa et al. D14/168

(75) Inventors: **Eran Schul**, Milford, PA (US); **Avner Sadot**, Tel Aviv (IL); **Andres Wainstein**, Tel Aviv (IL); **Gustavo Turkieltaub**, Tel Aviv (IL) * cited by examiner
Primary Examiner—Nanda Bondade
(74) *Attorney, Agent, or Firm*—Richard E. Kurtz; Greenberg Traurig, LLP

(73) Assignee: **Altec Lansing, a division of Plantronics, Inc.**, Milford, PA (US) (57) **CLAIM**

(**) Term: **14 Years** The ornamental design for a portable speaker system, as shown and described.

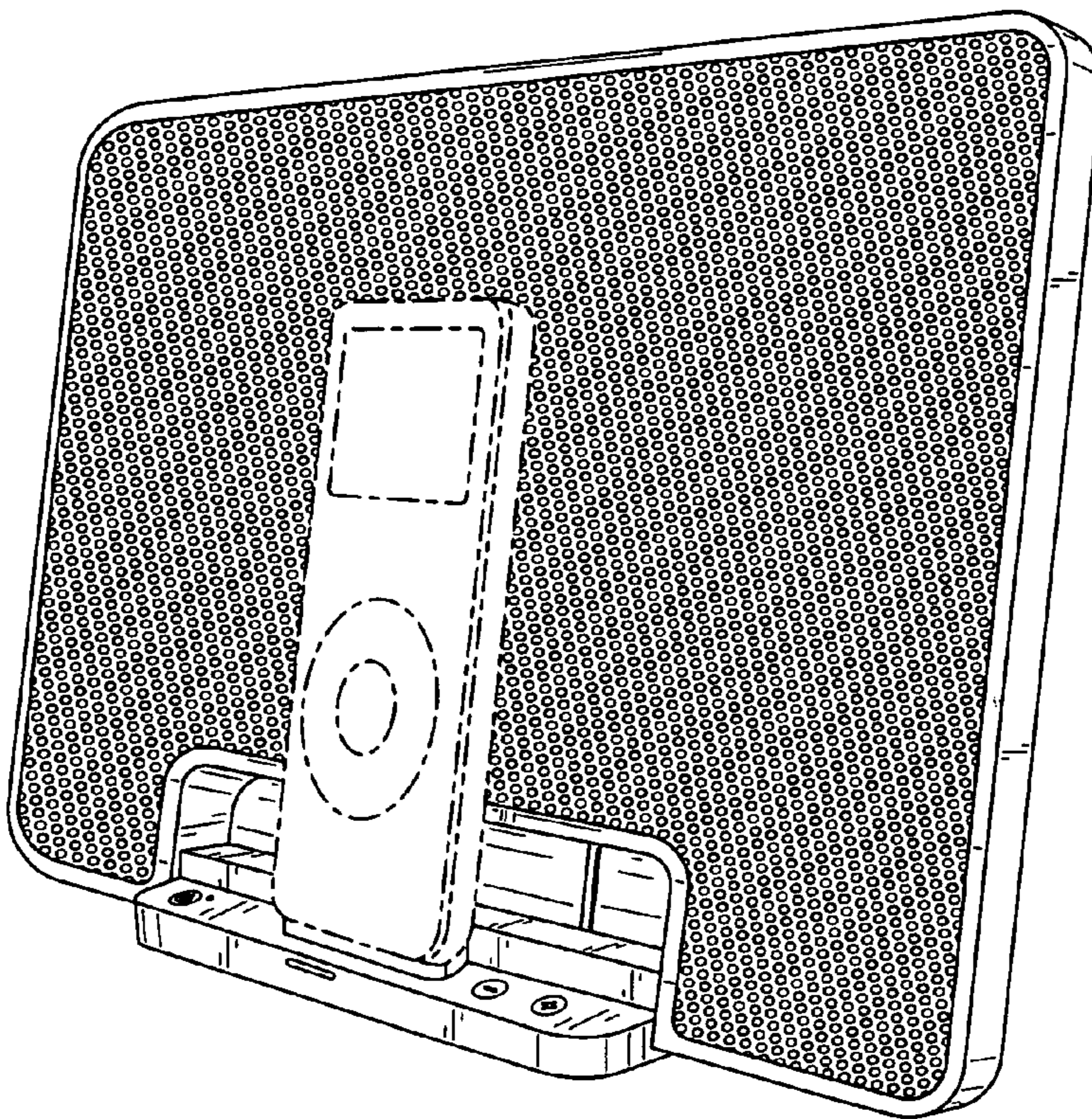
(21) Appl. No.: **29/262,670** **DESCRIPTION**

(22) Filed: **Jul. 10, 2006**

(51) **LOC (8) Cl.** **14-01**
(52) **U.S. Cl.** **D14/214; D14/168**
(58) **Field of Classification Search** D14/204, D14/209–216, 168, 217; 181/143–144, 147–148, 181/150, 157, 198–199, 151, 153; 381/300–302, 381/306, 333, 345, 361–364, 386–388, 332, 381/336
See application file for complete search history.

(56) **References Cited**
U.S. PATENT DOCUMENTS
D431,548 S * 10/2000 Rashid et al. D14/168
D513,612 S * 1/2006 Harris et al. D14/168
D514,090 S * 1/2006 Carbone et al. D14/214
FIG. 1 is a perspective view of the speaker system showing the present design;
FIG. 2 is a front elevation view of the present design;
FIG. 3 is a rear elevation view of the present design;
FIG. 4 is a left elevation view of the present design;
FIG. 5 is a right elevation view of the present design;
FIG. 6 is a top view of the present design;
FIG. 7 is a bottom view of the present design;
FIG. 8 is a left elevation view of the present design in a closed position; and,
FIG. 9 is a right elevation view of the present design in a closed position.

1 Claim, 7 Drawing Sheets



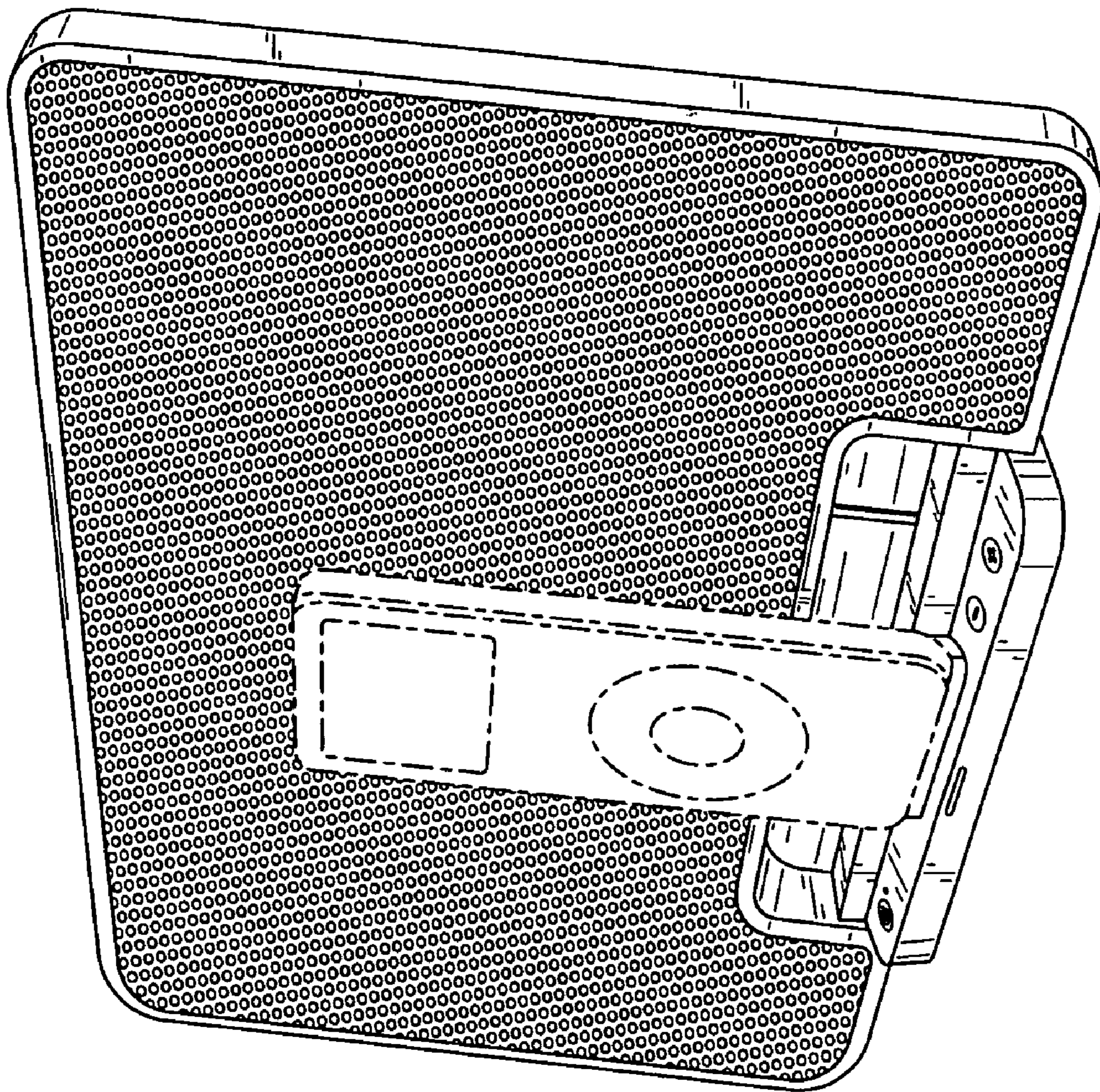


FIG. 1

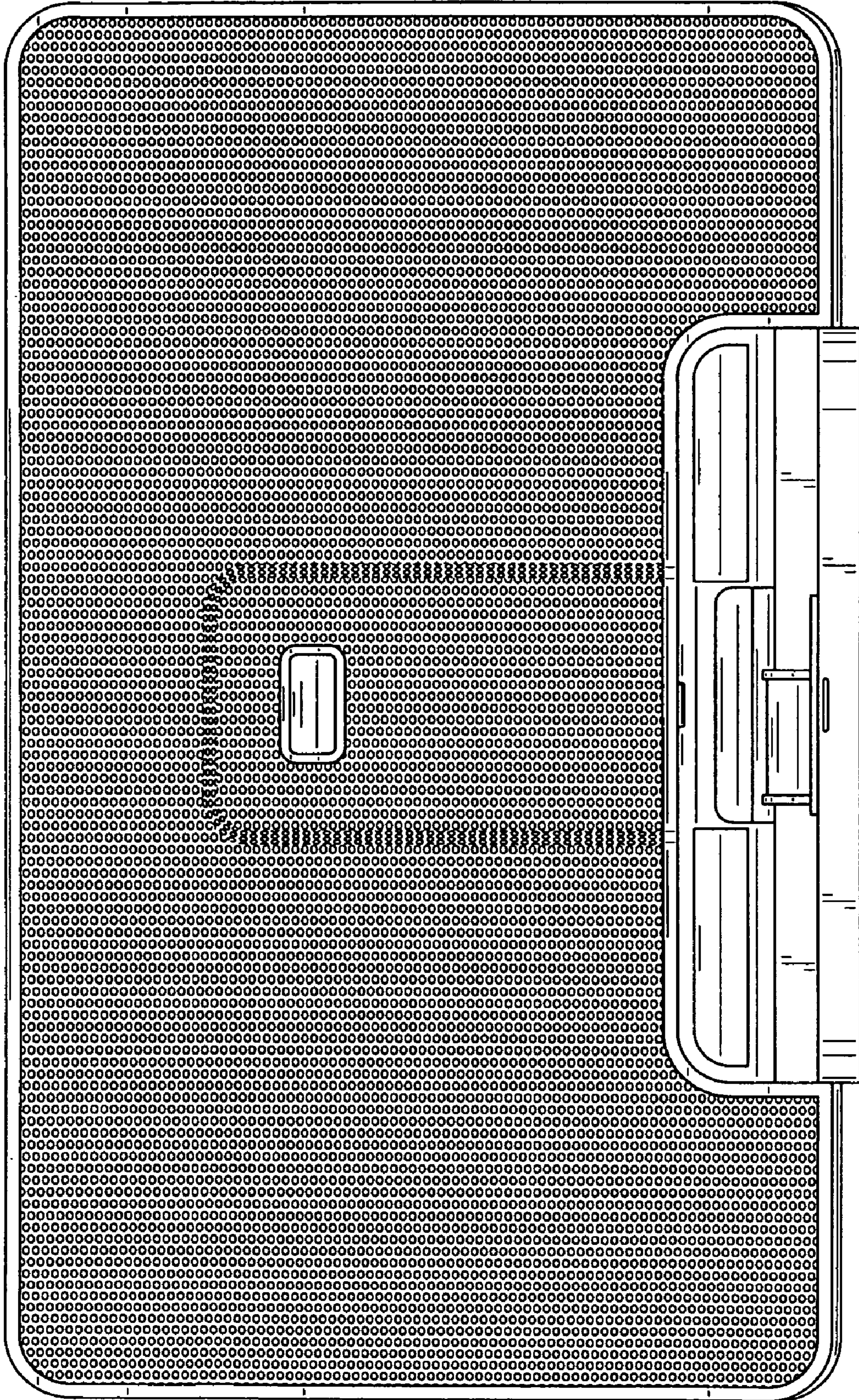


FIG. 2

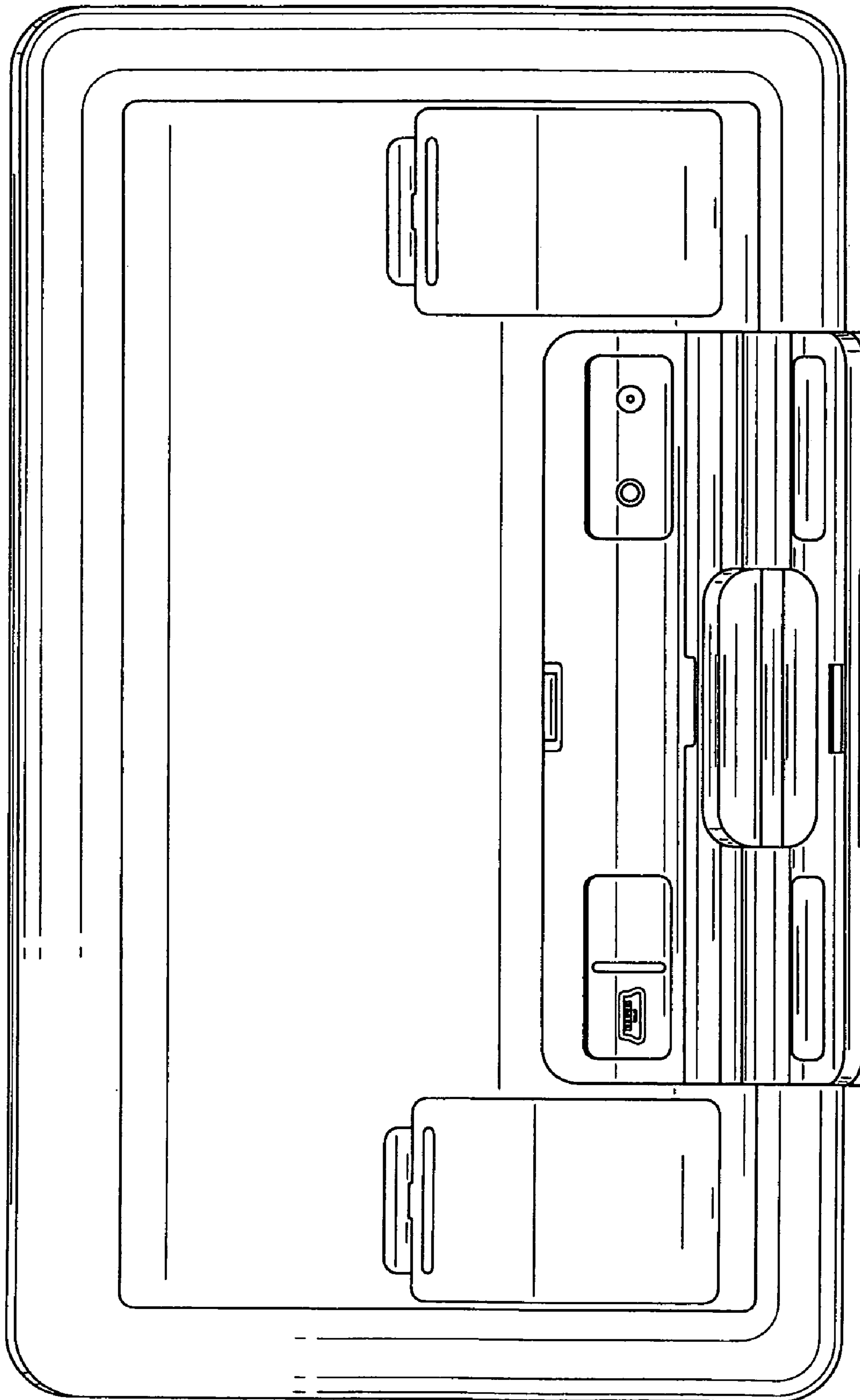


FIG. 3

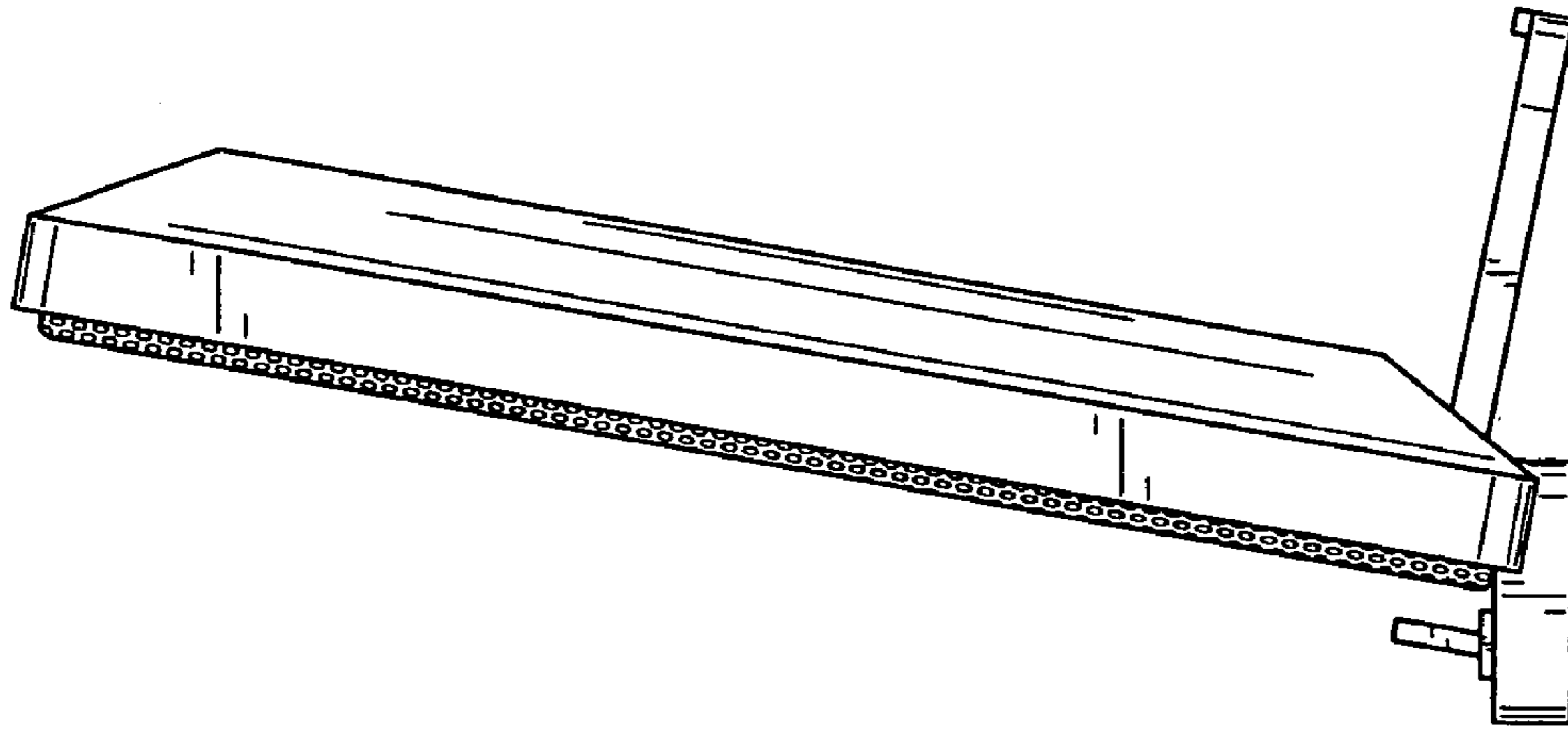


FIG. 5

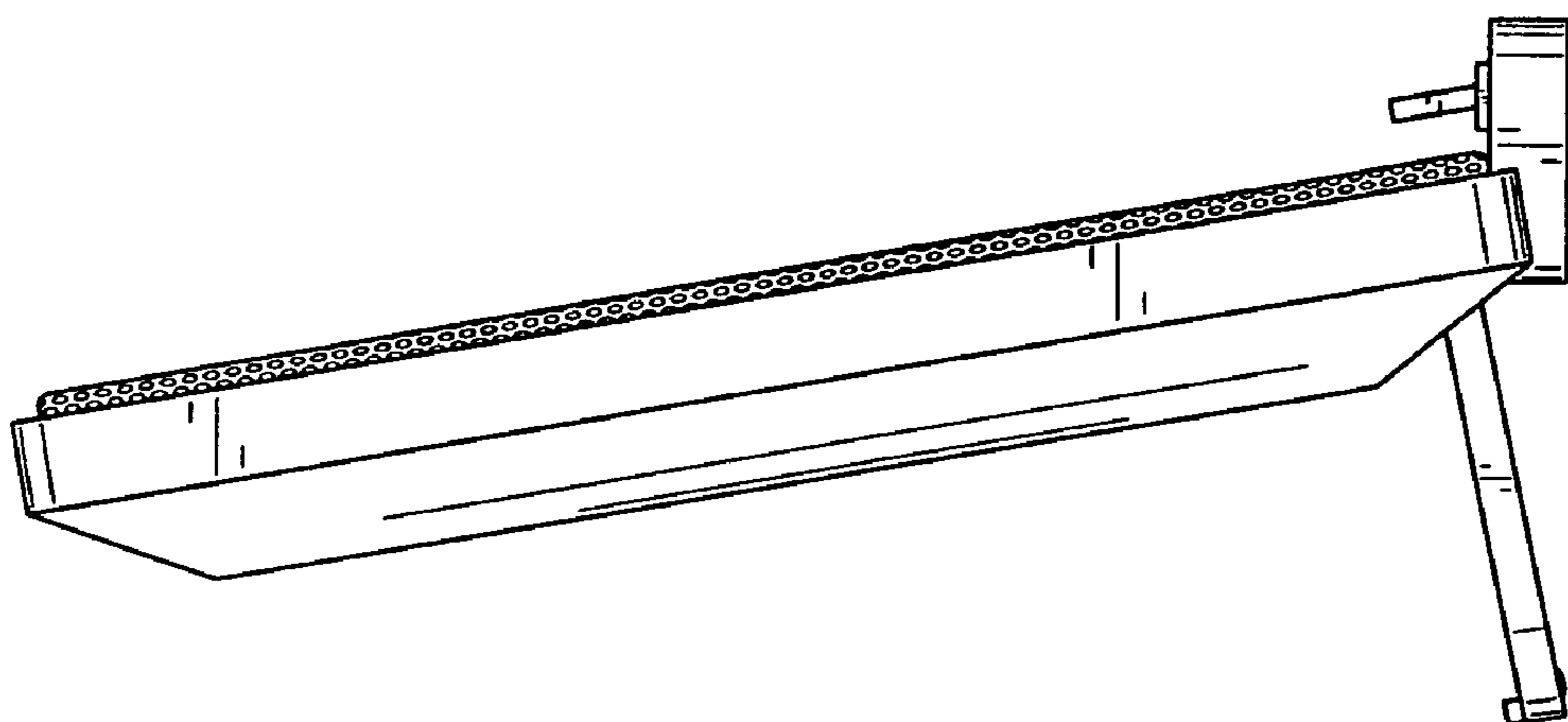


FIG. 4

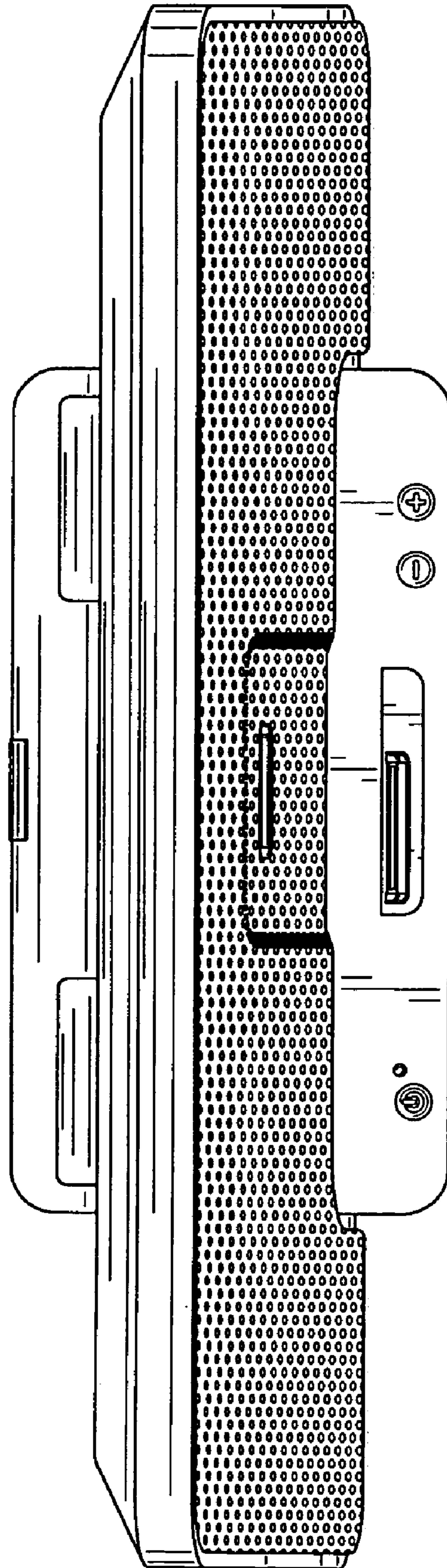


FIG. 6

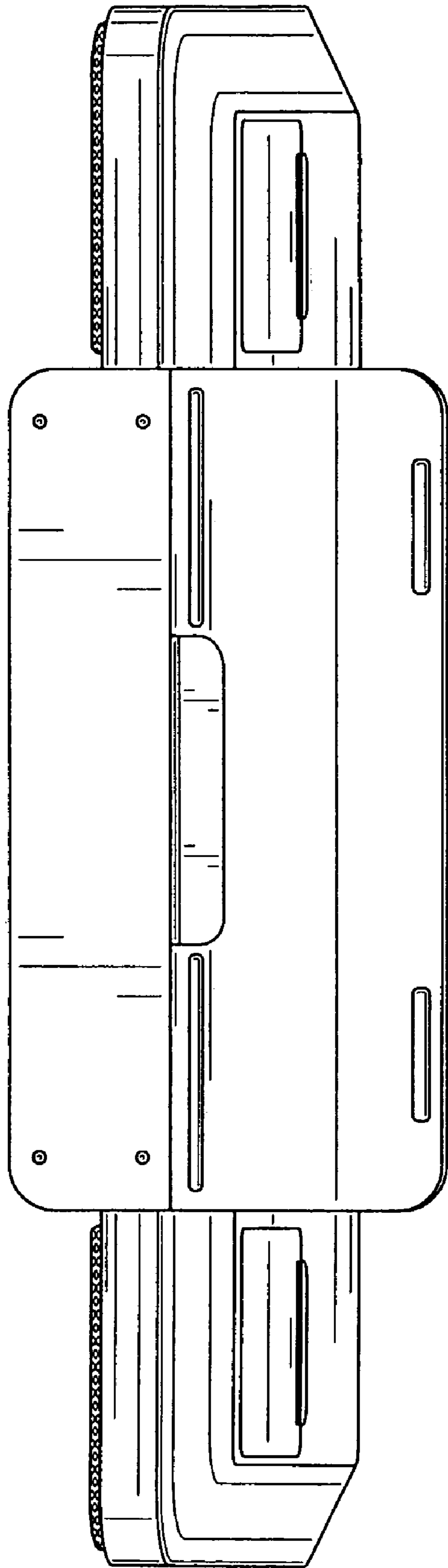


FIG. 7

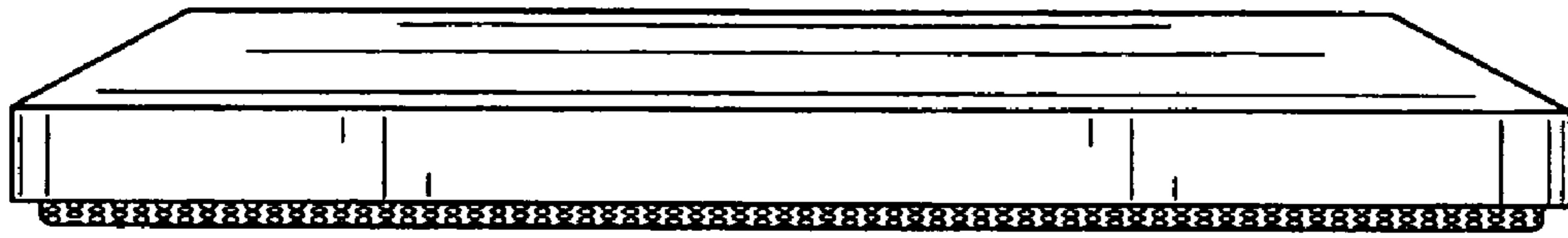


FIG. 9

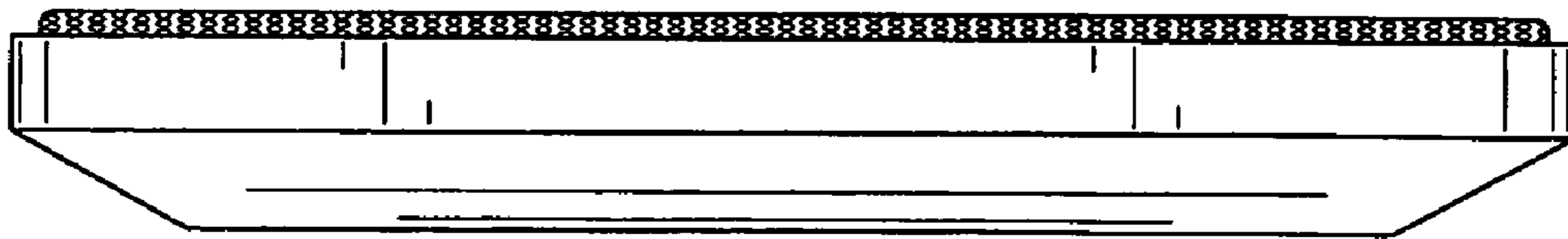


FIG. 8