



US00D558182S

(12) **United States Design Patent**
Takada et al.

(10) **Patent No.:** **US D558,182 S**

(45) **Date of Patent:** **** Dec. 25, 2007**

(54) **TELEPHONE SET**

(75) Inventors: **Toshio Takada**, Tokyo (JP); **Yuji Hirooka**, Kunitachi (JP)

(73) Assignee: **Kabushiki Kaisha Toshiba** (JP)

(**) Term: **14 Years**

(21) Appl. No.: **29/276,587**

(22) Filed: **Jan. 30, 2007**

(30) **Foreign Application Priority Data**

Dec. 18, 2006 (JP) 2006-034627

(51) **LOC (8) Cl.** **14-03**

(52) **U.S. Cl.** **D14/151**

(58) **Field of Classification Search** D14/149-151,
D14/144, 243, 253, 130, 146, 329, 330, 140-142,
D14/147, 148, 240, 241, 170, 171; D13/107-108;
455/550.1-90.3; 379/440, 454, 446, 419,
379/420.1-420.4, 428.01-428.04, 434-436;
320/110, 113-115

See application file for complete search history.

(56) **References Cited**

U.S. PATENT DOCUMENTS

D375,497 S * 11/1996 Kuwajima D14/151
D387,056 S 12/1997 Yoneyama
D389,145 S 1/1998 Yoneyama
D395,308 S 6/1998 Yoneyama
D418,834 S * 1/2000 Zeitman D14/151
D422,279 S * 4/2000 Zeitman D14/151
D448,011 S * 9/2001 Danner et al. D14/151
D452,489 S 12/2001 Nagase
6,625,282 B2 * 9/2003 Liang 379/428.02

D482,342 S * 11/2003 Weidinger D14/151
D489,049 S * 4/2004 Weidinger D14/151
D499,078 S 11/2004 Abe et al.
D499,079 S 11/2004 Abe et al.
D499,712 S 12/2004 Abe et al.

FOREIGN PATENT DOCUMENTS

JP 722348-3 1/1988
JP 744798 9/1988
JP 842800 7/1992

* cited by examiner

Primary Examiner—Terry A Wallace

(74) *Attorney, Agent, or Firm*—Banner & Witcoff, Ltd.

(57) **CLAIM**

The ornamental design for a telephone set, as shown and described.

DESCRIPTION

FIG. 1 is a front, bottom and right side perspective view of a telephone set, showing our new design;

FIG. 2 is a front elevational view thereof;

FIG. 3 is a rear elevational view thereof;

FIG. 4 is a top plan view thereof;

FIG. 5 is a bottom plan view thereof;

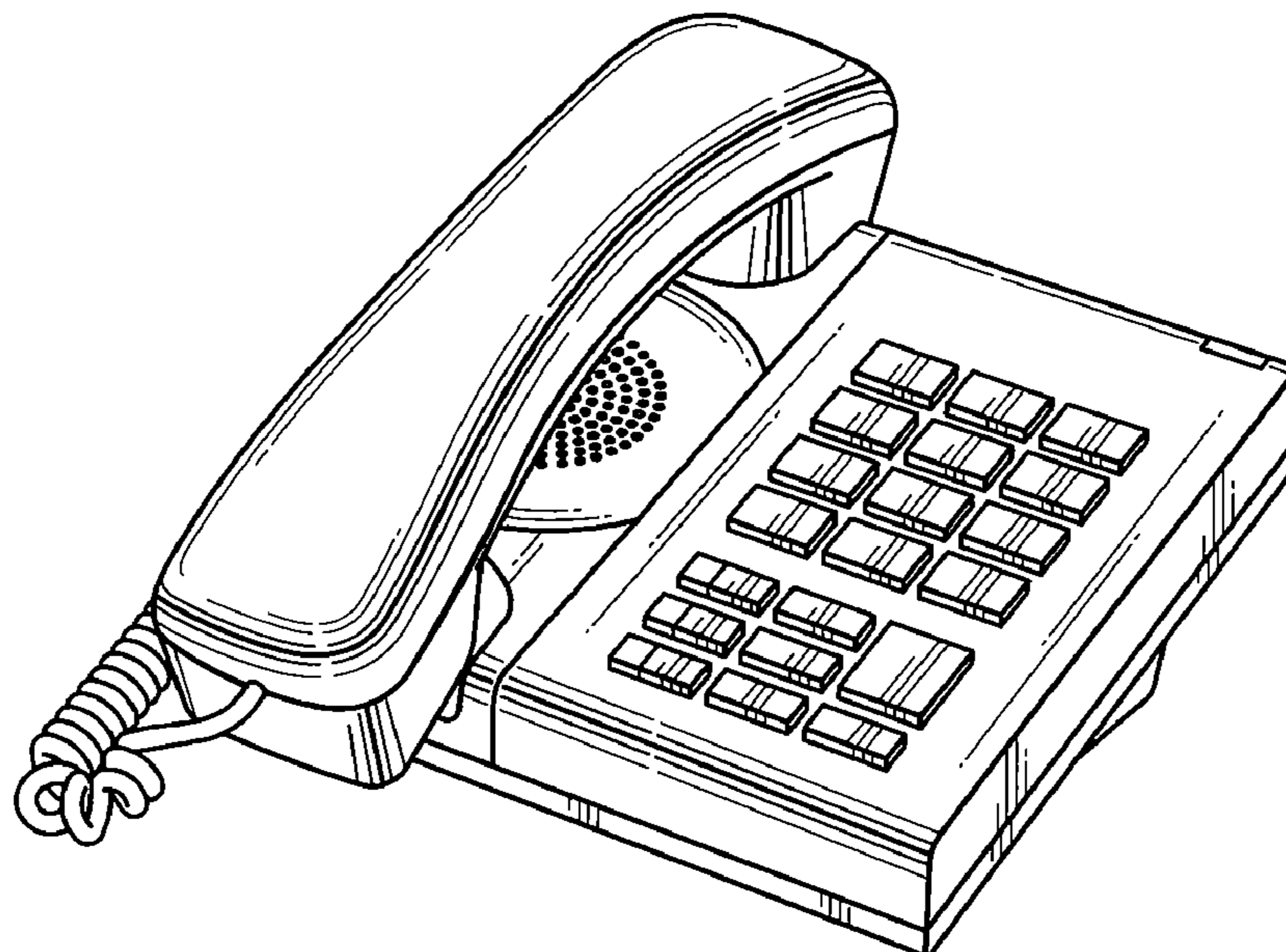
FIG. 6 is a left side elevational view thereof;

FIG. 7 is a right side elevational view thereof;

FIG. 8 is a left side elevational view thereof with a telephone handset in a removed state; and,

FIG. 9 is a front elevational view thereof with a telephone handset in a removed state.

1 Claim, 4 Drawing Sheets



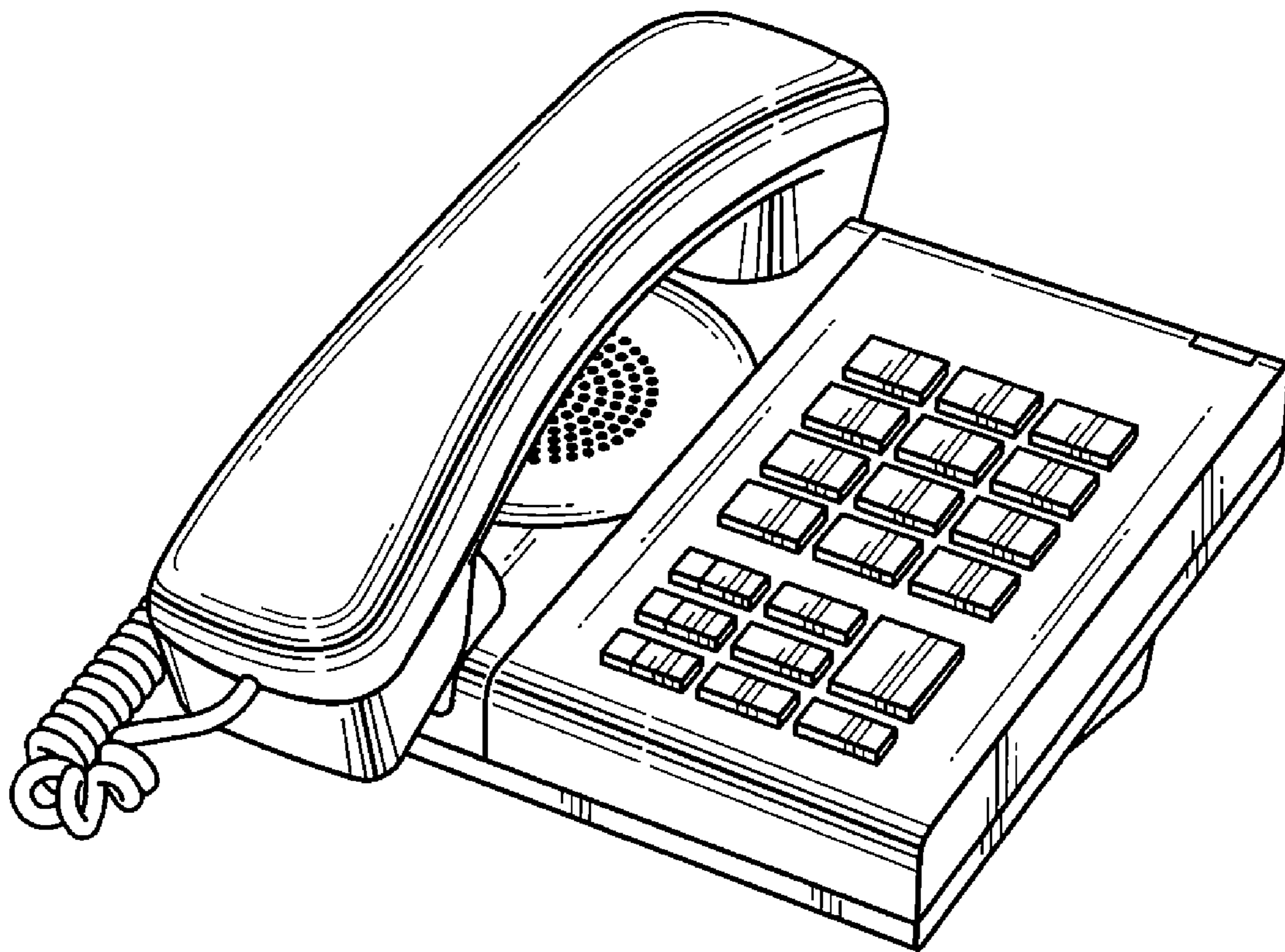


FIG. 1

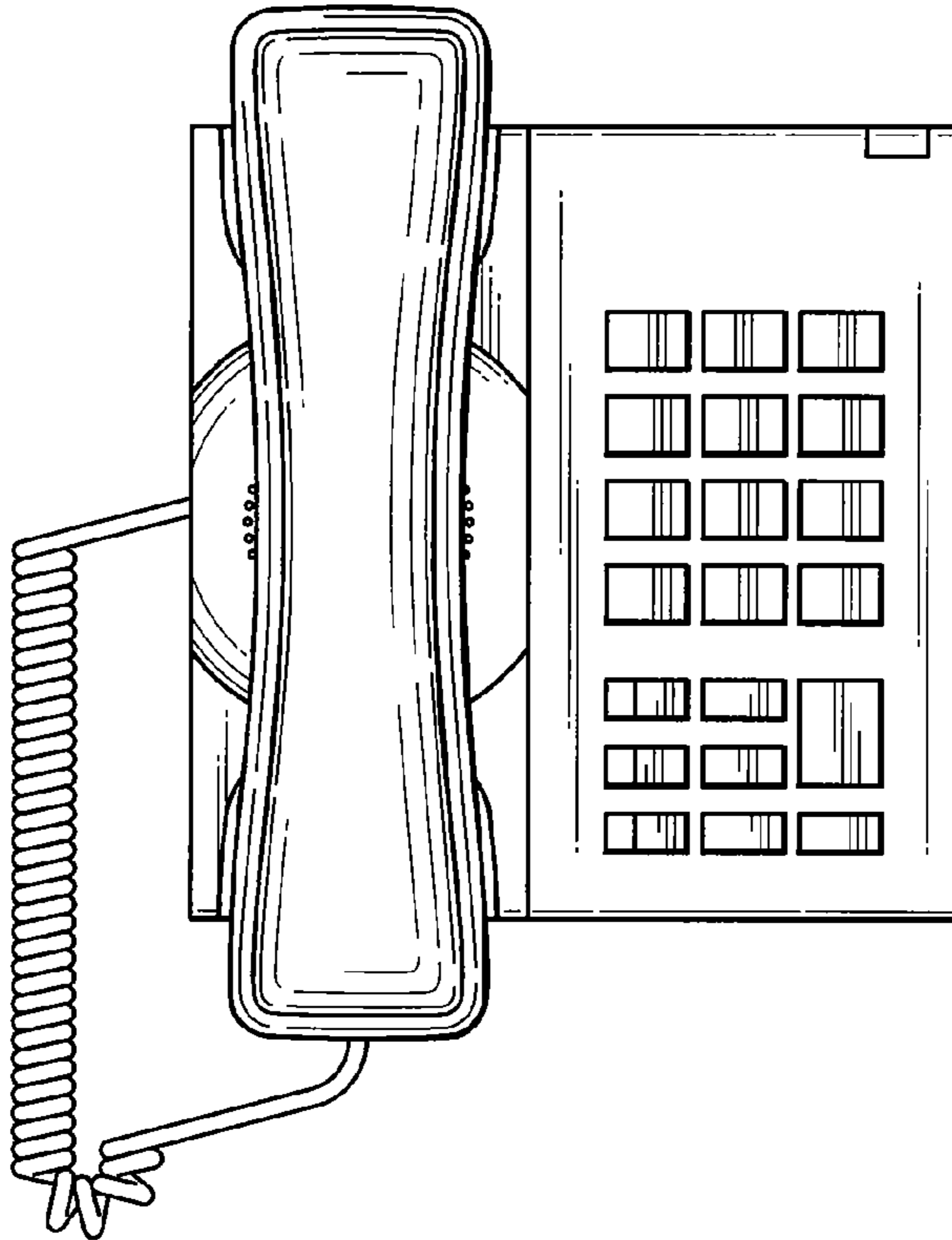


FIG. 2

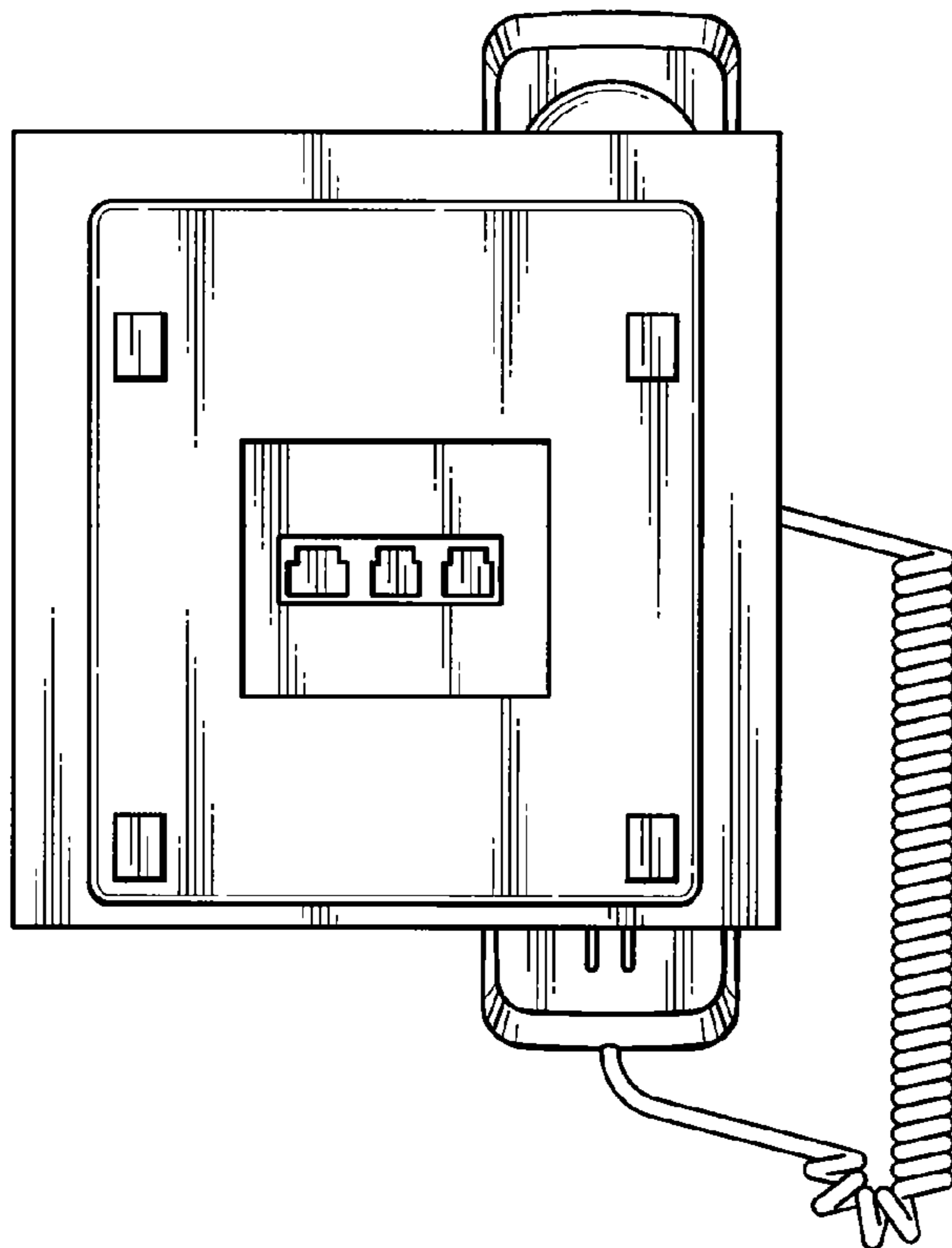


FIG. 3

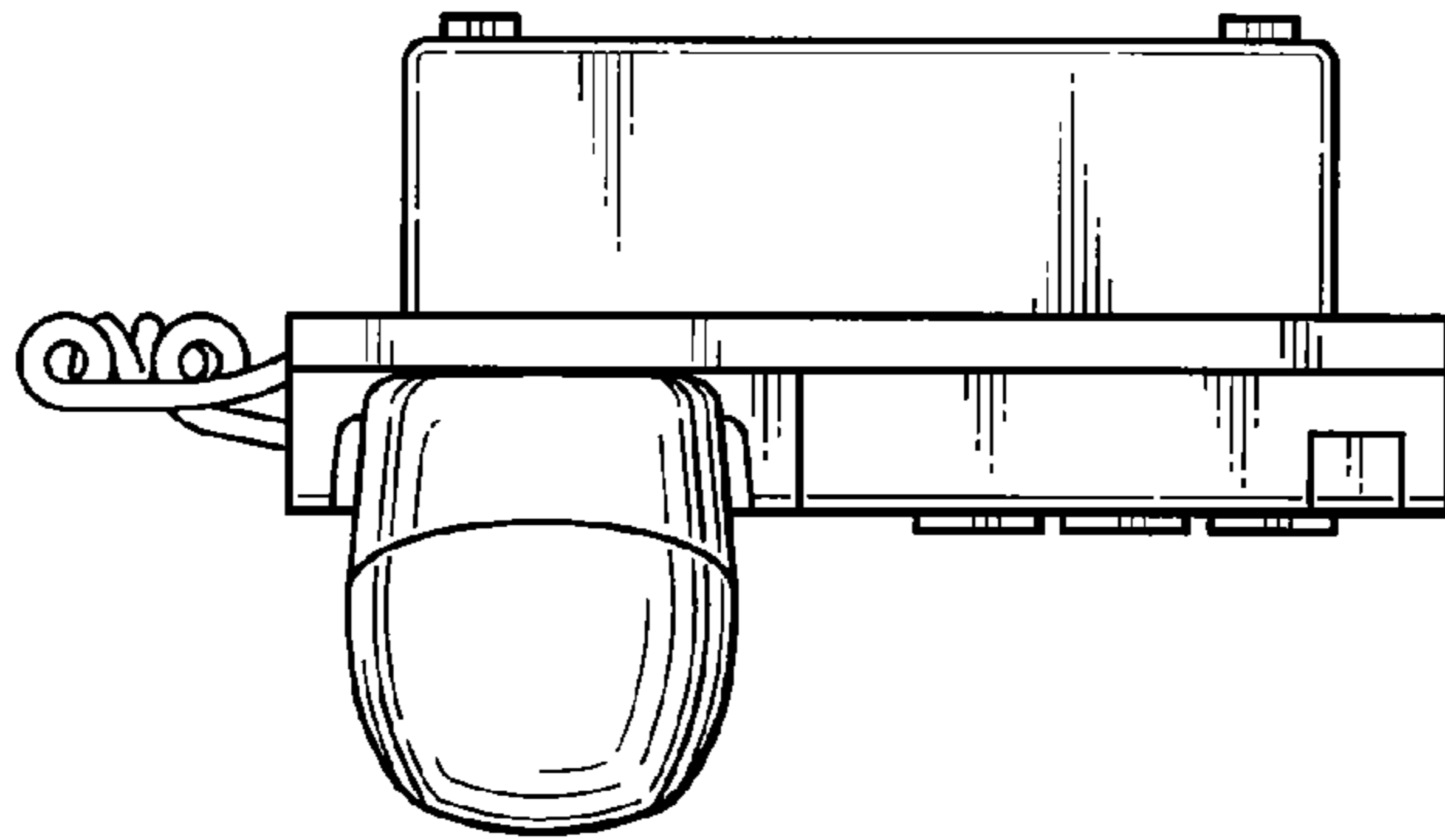


FIG. 4

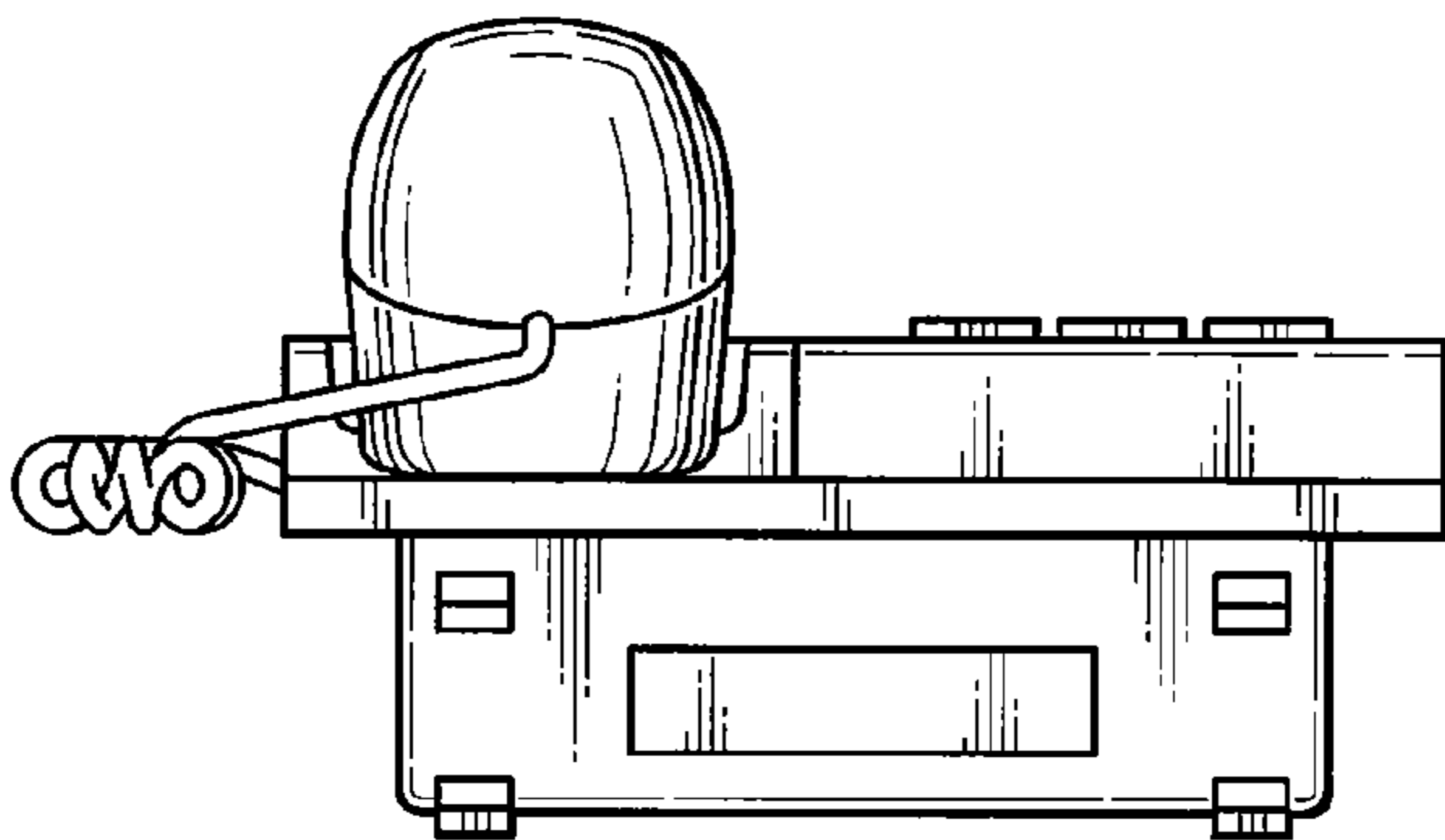


FIG. 5

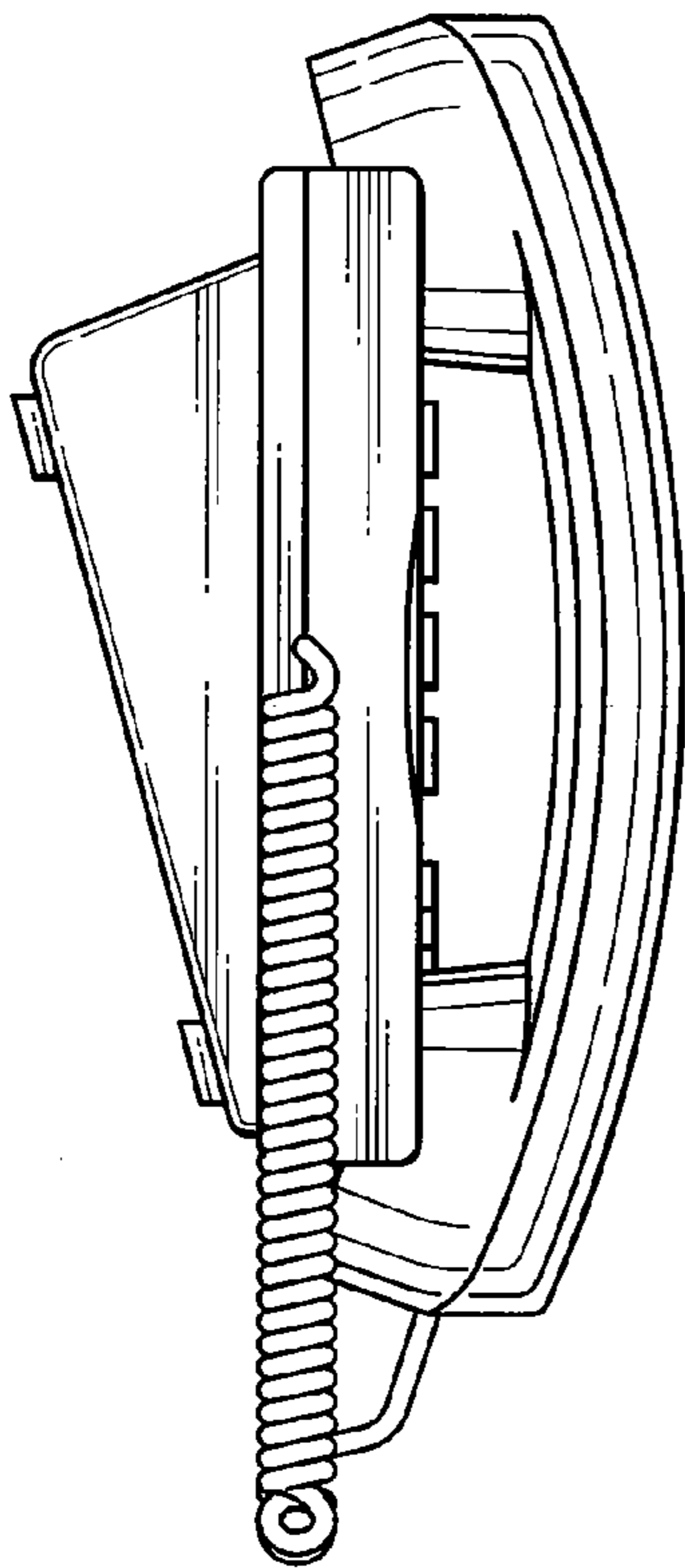


FIG. 6

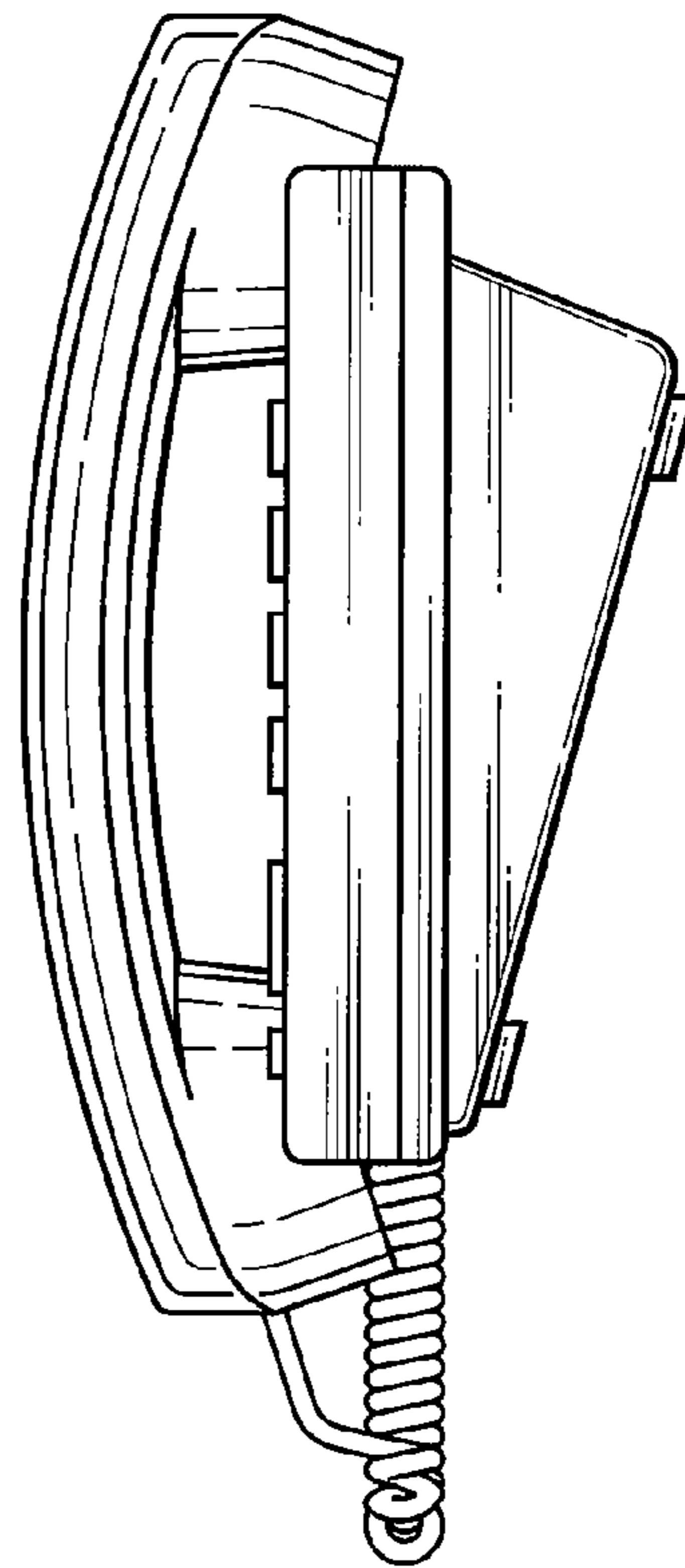


FIG. 7

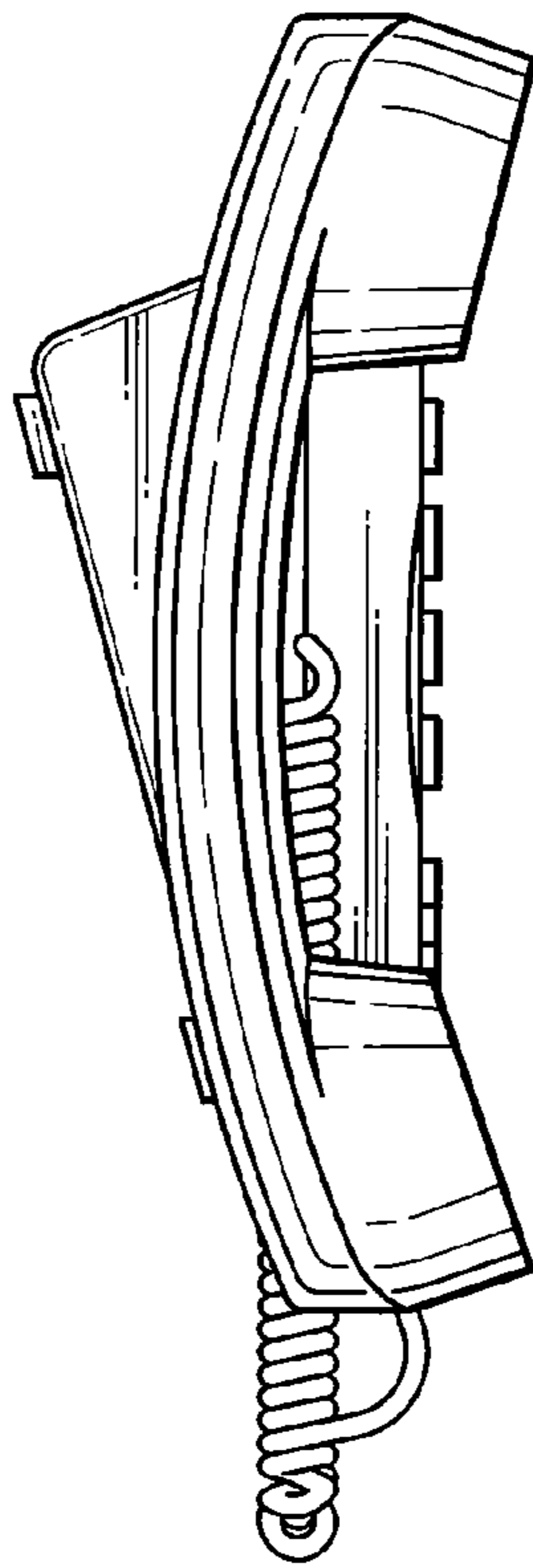


FIG. 8

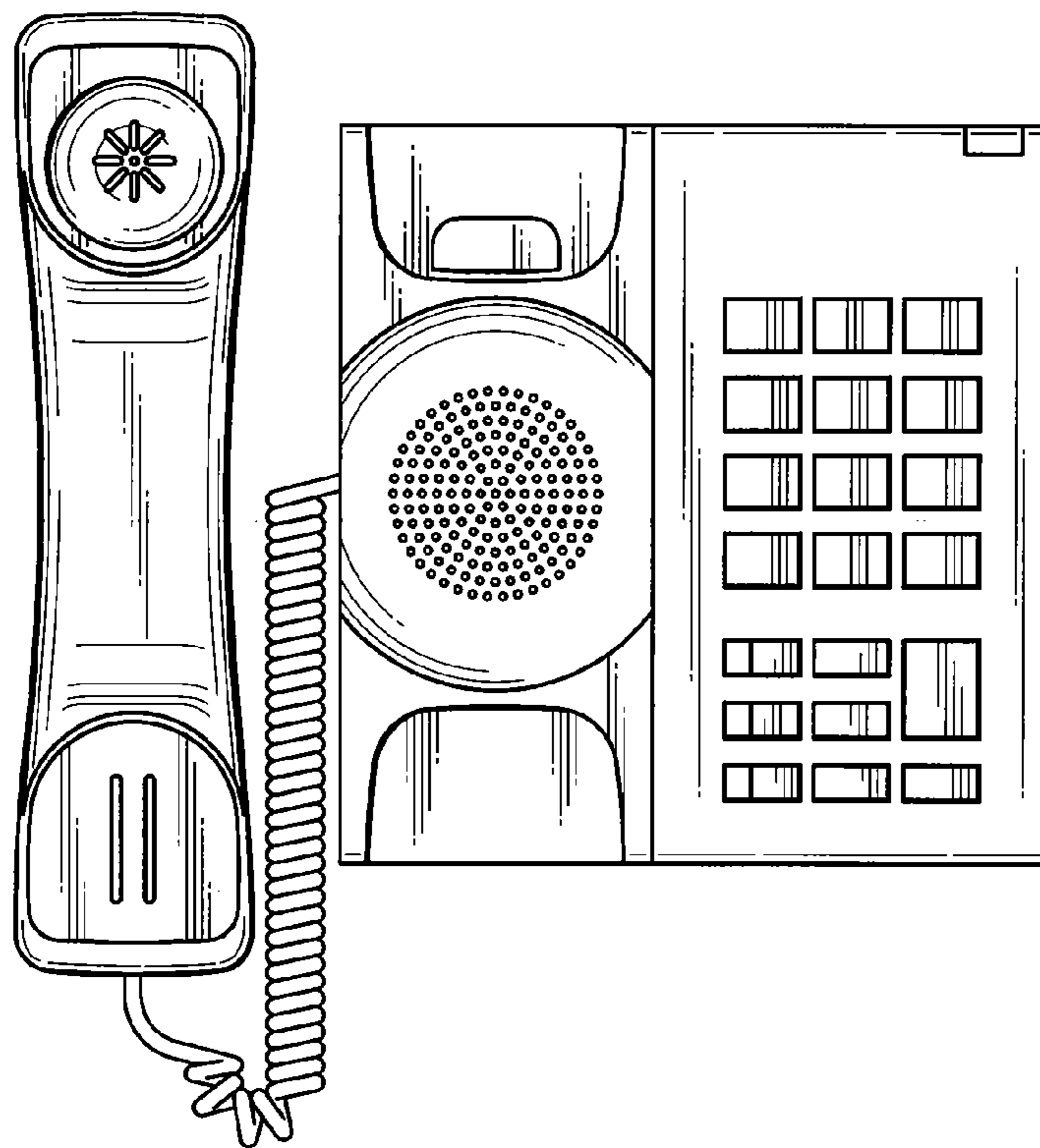


FIG. 9