



US00D558180S

(12) **United States Design Patent**  
**Daly et al.**

(10) **Patent No.: US D558,180 S**

(45) **Date of Patent: \*\* Dec. 25, 2007**

(54) **DESKTOP PHONE**

(75) Inventors: **Martin Daly**, South Orange, NJ (US);  
**James Farber**, Rumson, NJ (US);  
**Antoinette Mazza**, Somerset, NJ (US);  
**Wolfgang Schneider**, Frankfurt (DE);  
**Claus-Christian Eckhardt**, Hannover (DE)

(73) Assignee: **Avaya Technology Corp.**, Basking Ridge, NJ (US)

(\*\*) Term: **14 Years**

(21) Appl. No.: **29/261,056**

(22) Filed: **Jun. 7, 2006**

(51) **LOC (8) Cl.** ..... **14-03**

(52) **U.S. Cl.** ..... **D14/151**

(58) **Field of Classification Search** ..... D14/130,  
D14/140.7-140.11, 140-140.1, 142, 144,  
D14/149-151, 240, 248; D21/517; 379/419,  
379/428.01-428.04, 420.01, 434-436, 440-442,  
379/454-455, 88.17, 90.01, 93.17; 382/103;  
455/73, 566-569.1

See application file for complete search history.

(56) **References Cited**

**U.S. PATENT DOCUMENTS**

D237,505 S *	11/1975	Thies	.....	D14/150
D268,579 S *	4/1983	Marshall	.....	D14/149
D284,003 S *	5/1986	Tamura	.....	D14/142
D381,981 S *	8/1997	Johansson	.....	D14/151
D412,330 S *	7/1999	Shigemura	.....	D14/151
D420,405 S *	2/2000	Plain et al.	.....	D21/517
D426,535 S *	6/2000	Zeitman	.....	D14/151
D478,885 S *	8/2003	Pilotti	.....	D14/151

D502,163 S *	2/2005	Pelletier	.....	D14/151
D529,894 S *	10/2006	Yanagisawa et al.	.....	D14/151
D530,303 S *	10/2006	Tang	.....	D14/151
2004/0234071 A1 *	11/2004	Bae et al.	.....	379/419
2005/0069126 A1 *	3/2005	Xue	.....	379/454

**OTHER PUBLICATIONS**

“BudgeTone 200 SIP Phone”, 1 p including photo, [online],  
<URL:http://voipstore.atacomm.com/Shops/ViewItem.aspx/  
27934028032-51246975744.htm>, retrieved May 17, 2007.\*

“Northwestern Bell 23110”, 1 p including photo, [online],  
<URL:http://www.101phones.com/flypage/4544/none/  
Northwestern\_Bell\_23110>, retrieved May 17, 2007.\*

\* cited by examiner

*Primary Examiner*—Ian Simmons

*Assistant Examiner*—Carla Jobe Wright

(57) **CLAIM**

The ornamental design for a desktop phone, as shown.

**DESCRIPTION**

FIG. 1 is a right-front perspective view of the desktop phone showing our new design;

FIG. 2 is a front view thereof;

FIG. 3 is a back view thereof;

FIG. 4 is a left side view thereof;

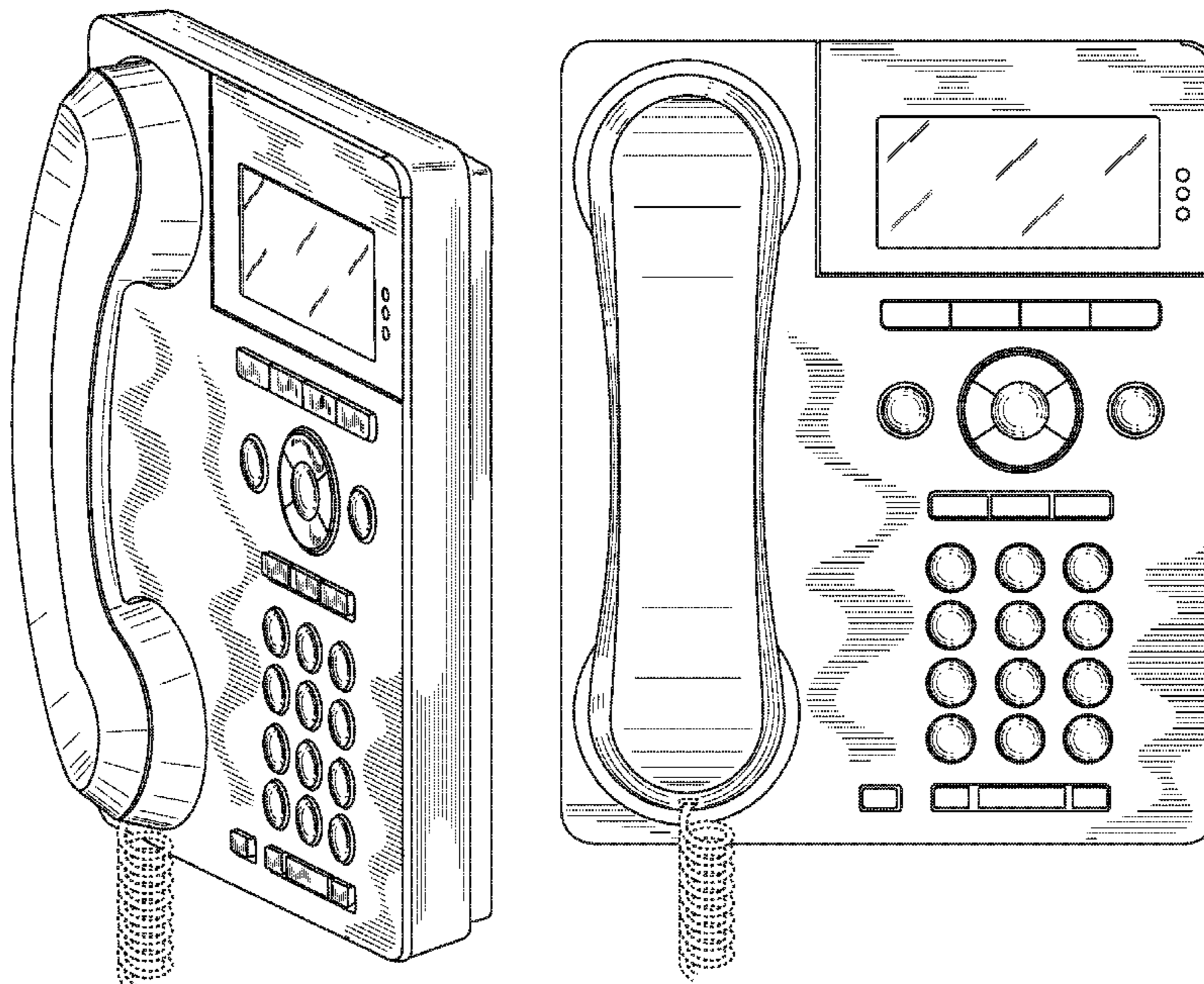
FIG. 5 is a right side view thereof;

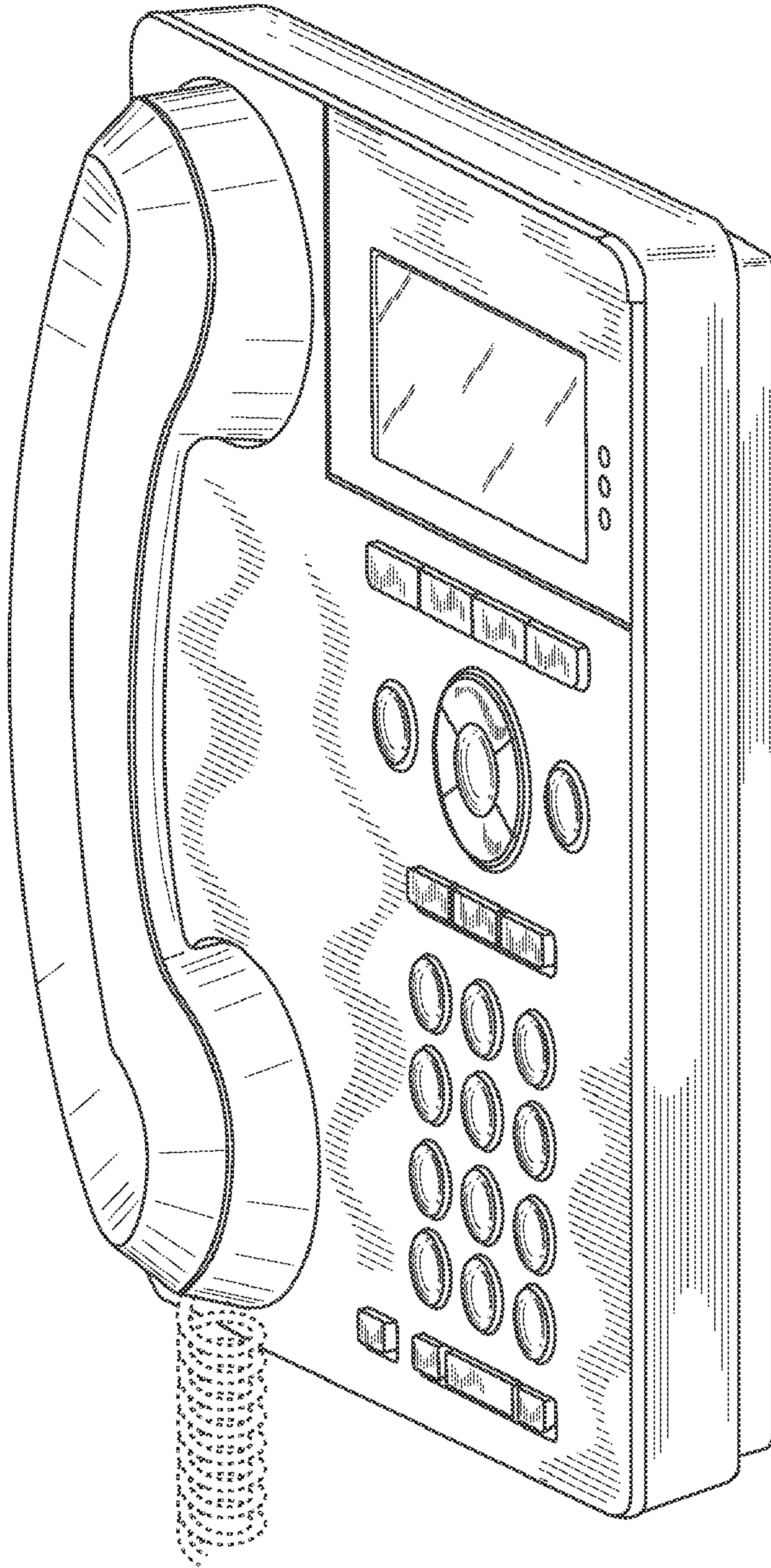
FIG. 6 is a top view thereof; and,

FIG. 7 is a bottom view thereof.

The broken line showing of environmental structures is for illustrative purposes only and forms no part of the claimed design.

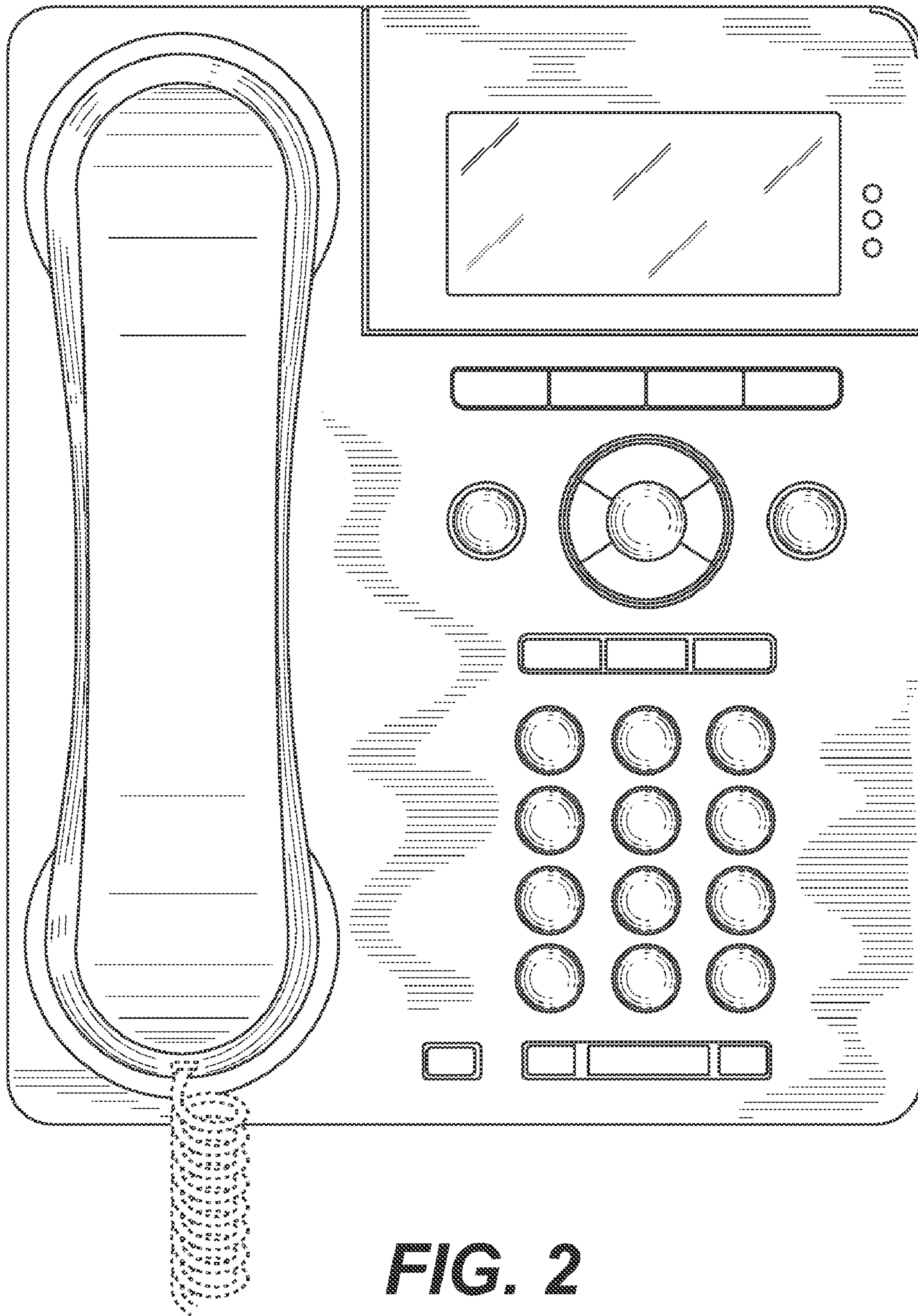
**1 Claim, 5 Drawing Sheets**



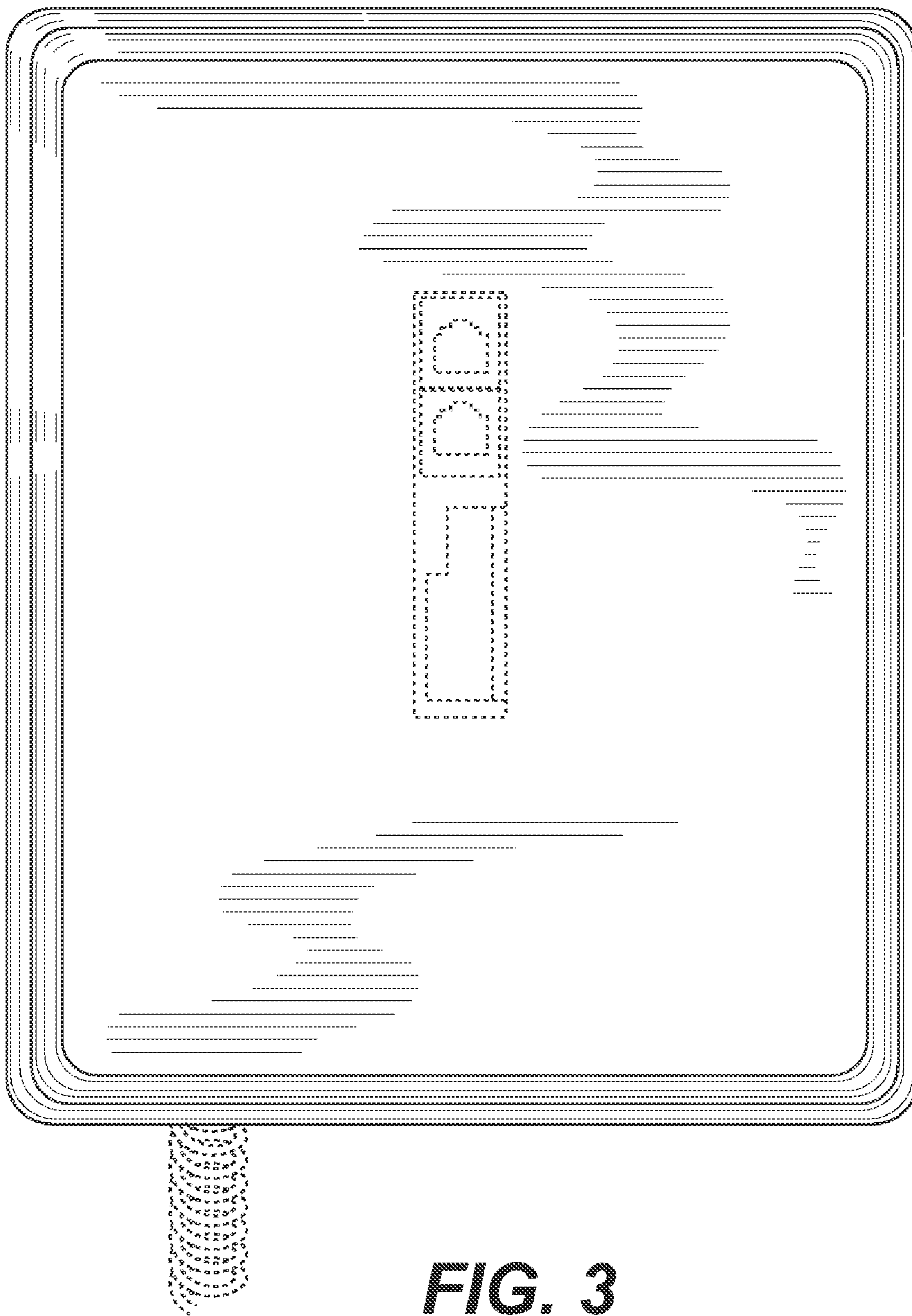


**FIG. 1**

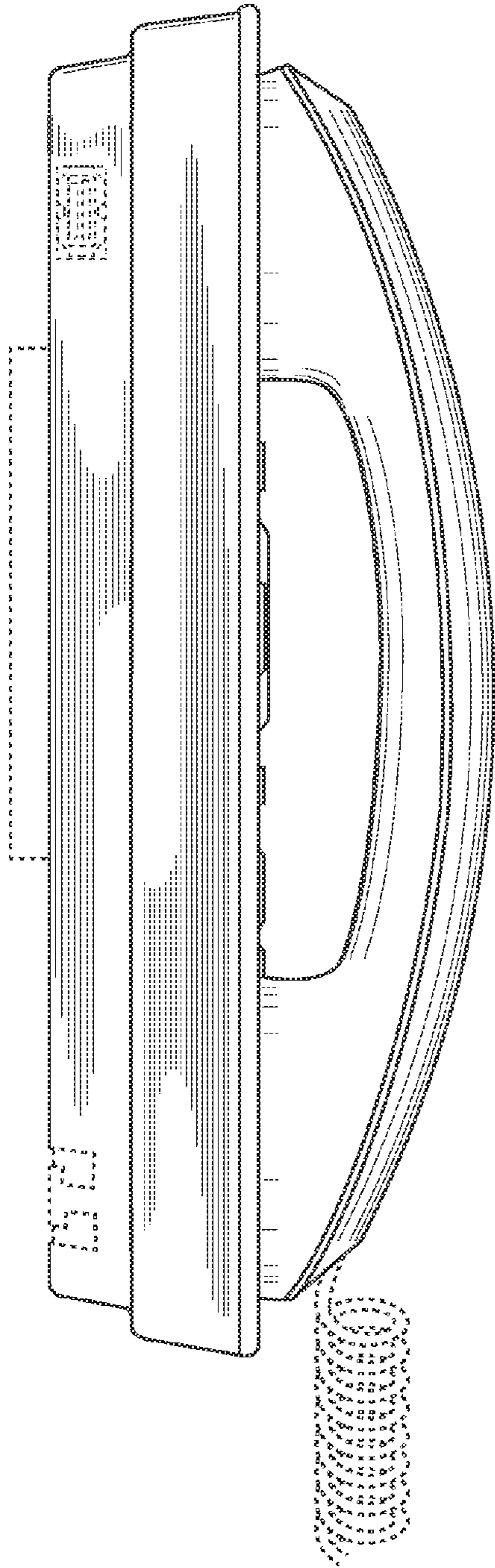




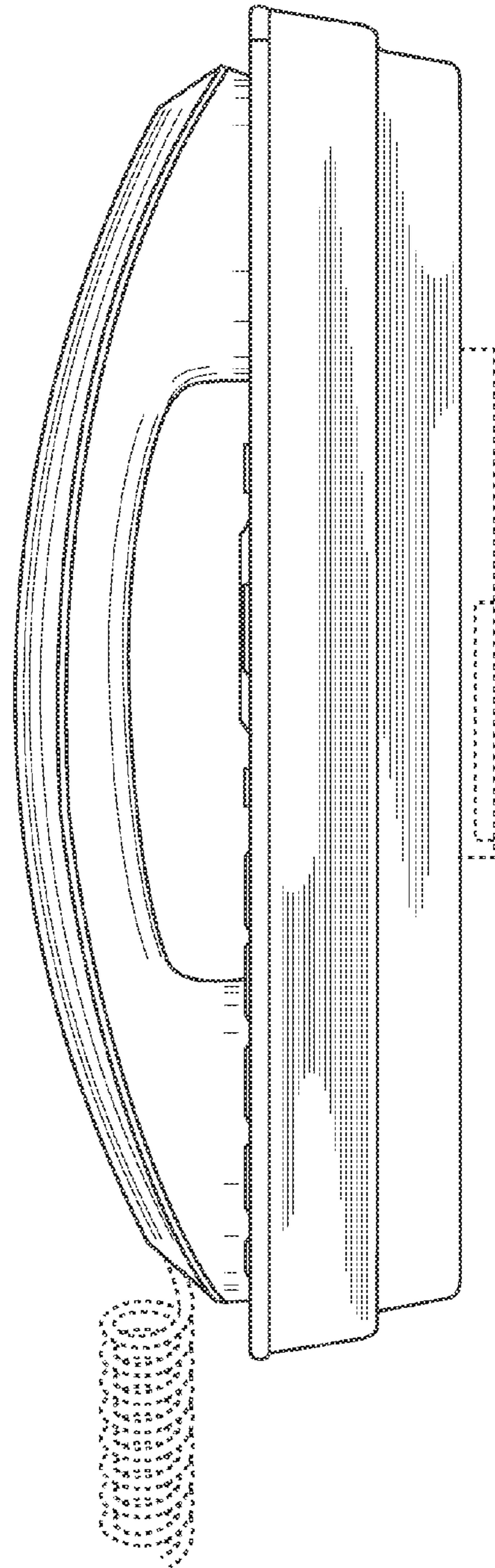
**FIG. 2**



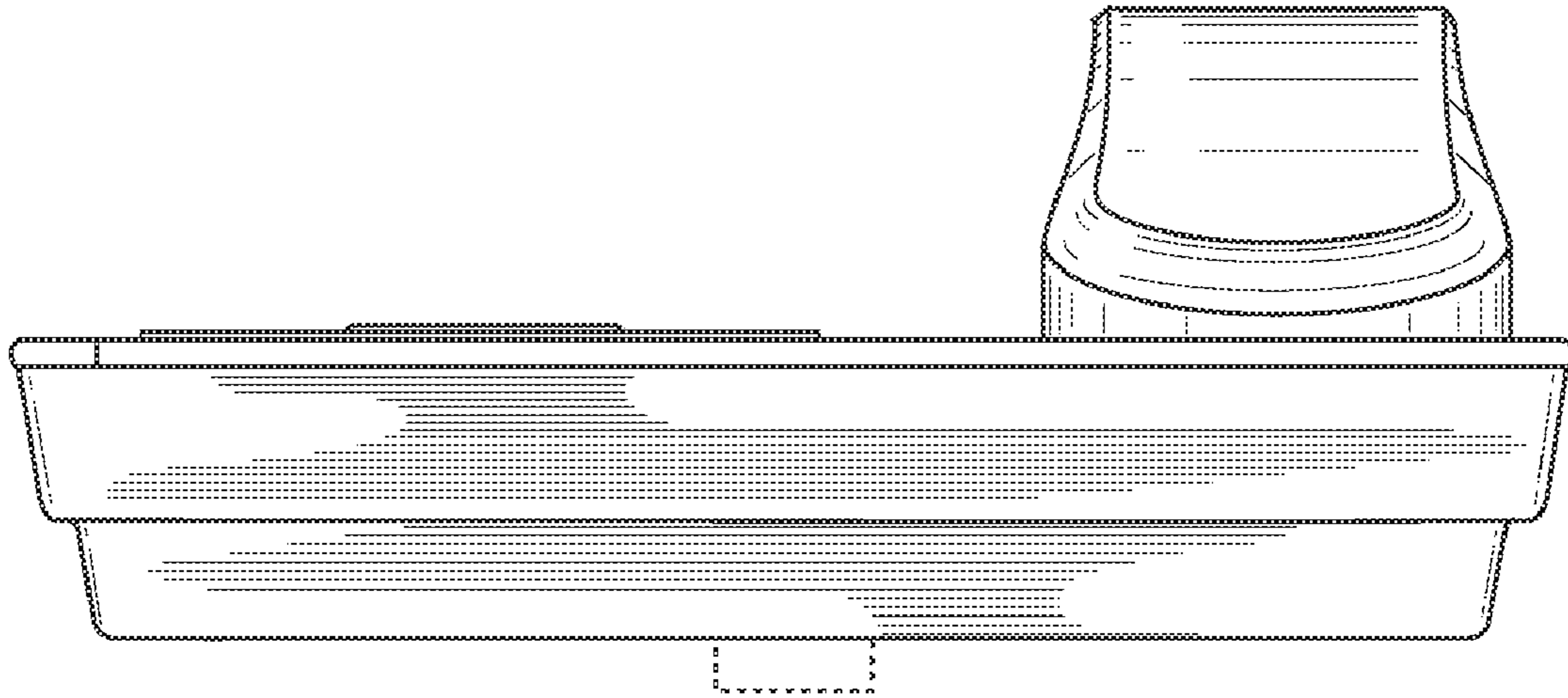
**FIG. 3**



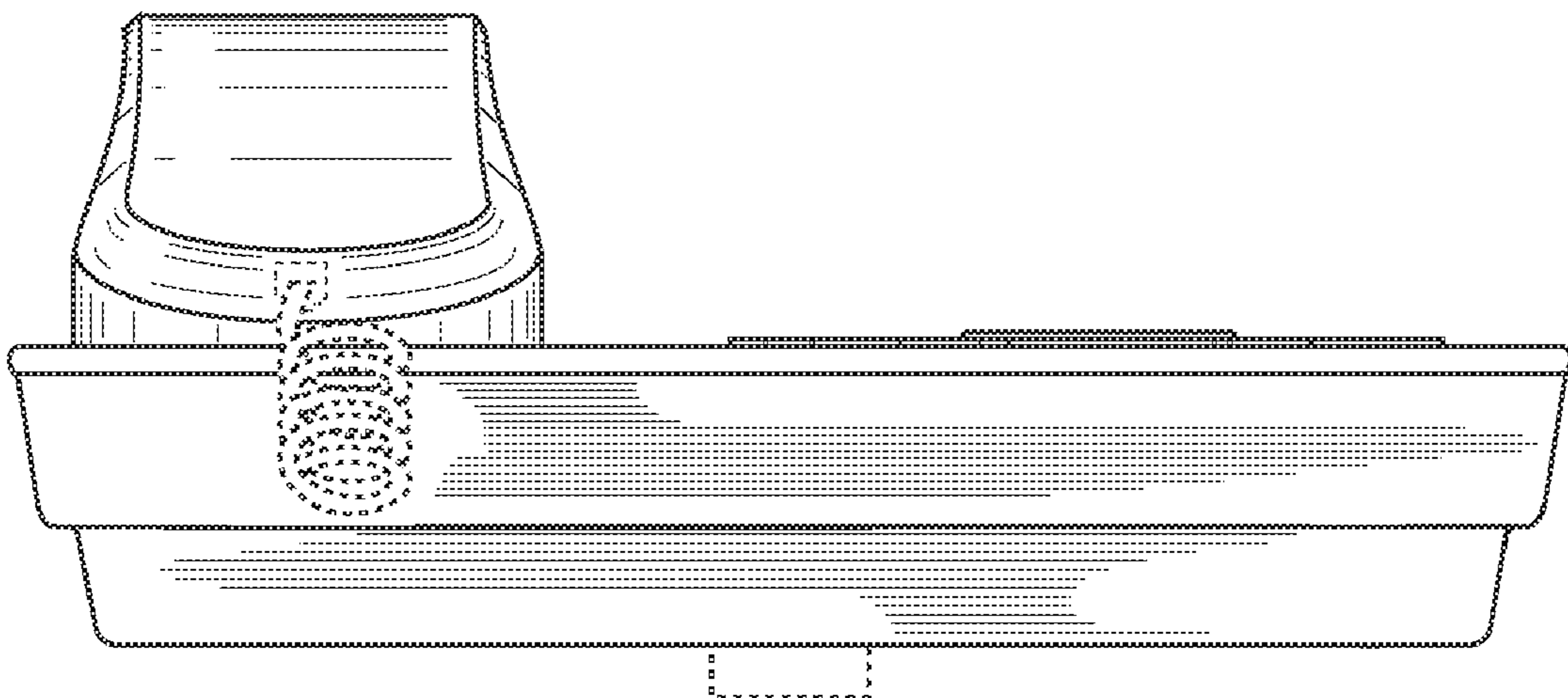
**FIG. 4**



**FIG. 5**



**FIG. 6**



**FIG. 7**