



US00D558172S

(12) **United States Design Patent**
Kim et al.

(10) **Patent No.:** **US D558,172 S**

(45) **Date of Patent:** **** Dec. 25, 2007**

(54) **PORTABLE PHONE**

(75) Inventors: **Young-Sae Kim**, Palo Alto, CA (US);
Young-Ju Yeo, Gangnam-gu (KR);
Chi-Young Ahn, Seodaemun-gu (KR);
Chang-Hwan Hwang, Goyang-si (KR)

(73) Assignee: **Samsung Electronics Co., Ltd.**,
Suwon-Si (KR)

(**) Term: **14 Years**

(21) Appl. No.: **29/252,606**

(22) Filed: **Jan. 26, 2006**

(30) **Foreign Application Priority Data**

Aug. 3, 2005 (KR) 30-2005-0026097

(51) **LOC (8) Cl.** **14-03**

(52) **U.S. Cl.** **D14/138**

(58) **Field of Classification Search** D14/496,
D14/138, 341-347; 455/575.3, 575.1; D21/517,
D21/329, 333

See application file for complete search history.

(56) **References Cited**

U.S. PATENT DOCUMENTS

D488,453 S *	4/2004	Chang et al.	D14/138
D500,480 S *	1/2005	Daw	D14/138
D500,481 S *	1/2005	Kim et al.	D14/138
D502,159 S *	2/2005	Chan et al.	D14/138
D508,034 S *	8/2005	Liao	D14/138
D512,038 S *	11/2005	Kim et al.	D14/138
D518,463 S *	4/2006	Tan et al.	D14/138
D518,467 S *	4/2006	Kim et al.	D14/138
D521,970 S *	5/2006	Han et al.	D14/138
D522,991 S *	6/2006	Yun et al.	D14/138
D538,772 S *	3/2007	Cha et al.	D14/138
D543,169 S *	5/2007	Kim et al.	D14/138
D543,170 S *	5/2007	Kim et al.	D14/138
D543,172 S *	5/2007	Lee et al.	D14/138
D545,287 S *	6/2007	Han et al.	D14/138

2002/0173340 A1 *	11/2002	Watanabe	455/556
2003/0125079 A1 *	7/2003	Park et al.	455/556
2004/0209645 A1 *	10/2004	Park et al.	455/556.1
2004/0224732 A1 *	11/2004	Lee et al.	455/575.3
2005/0113156 A1 *	5/2005	Park et al.	455/575.4
2007/0049357 A1 *	3/2007	Daimon et al.	455/575.1

FOREIGN PATENT DOCUMENTS

WO DM/068689 * 2/2007

OTHER PUBLICATIONS

Samsung D300 telephone, announced Feb. 2006, [online], [retrieved on Jul. 8, 2007]. Retrieved from Internet, <URL: <http://www.gsmarena.com>>.*

* cited by examiner

Primary Examiner—Jeffrey Asch

(74) *Attorney, Agent, or Firm*—Staas & Halsey LLP

(57) **CLAIM**

The ornamental design for the portable phone, as shown and described.

DESCRIPTION

FIG. 1 is a perspective view of the portable phone showing our design;

FIG. 2 is a front view thereof;

FIG. 3 is a rear view thereof;

FIG. 4 is a left side view thereof;

FIG. 5 is a right side view thereof;

FIG. 6 is a top plan view thereof;

FIG. 7 is a bottom plan view thereof;

FIG. 8 is a front, open view thereof;

FIG. 9 is a right side open view thereof; and,

FIG. 10 is an alternate front, open view thereof with a portion moved.

1 Claim, 7 Drawing Sheets

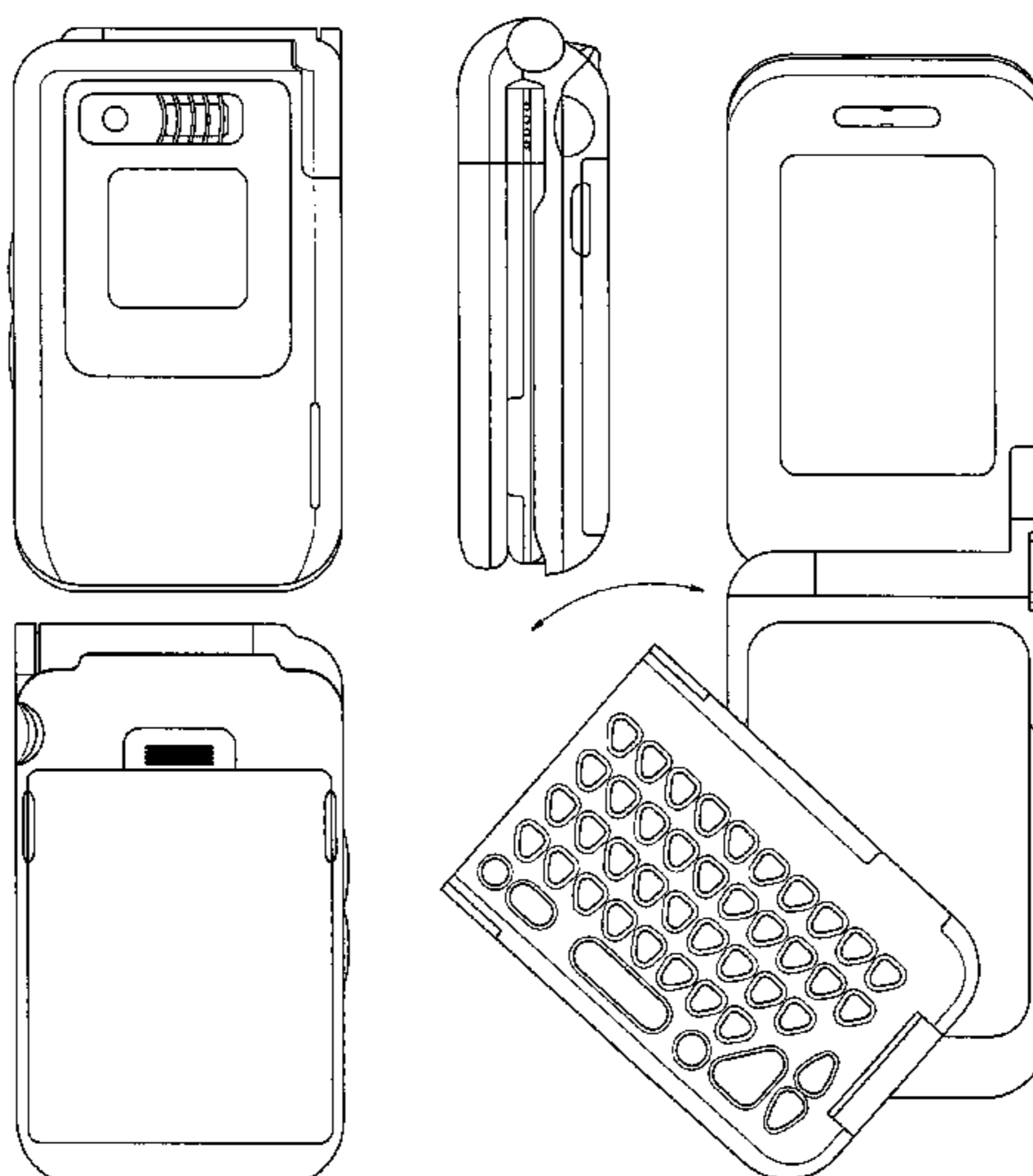


FIG. 1

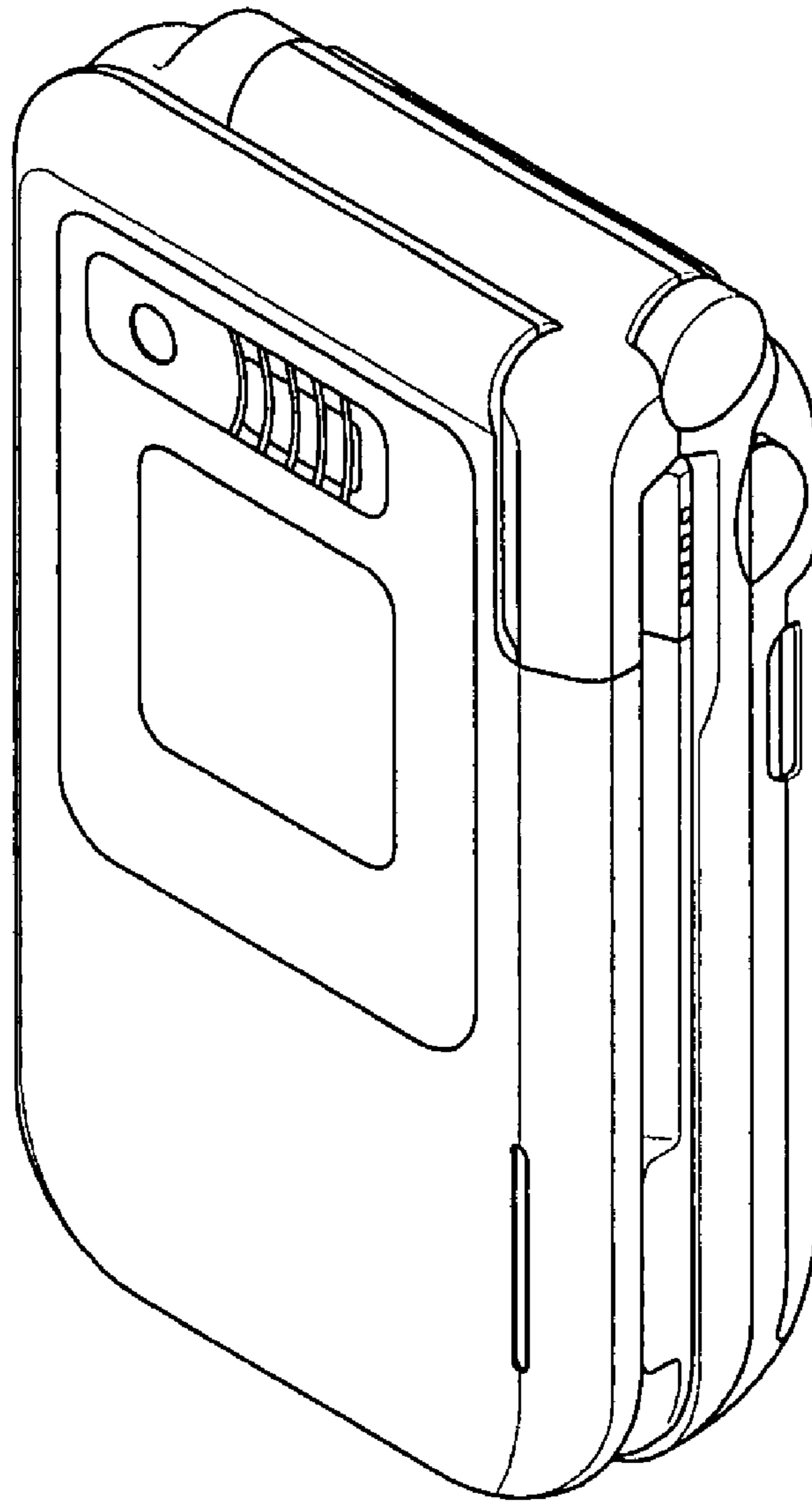


FIG. 2

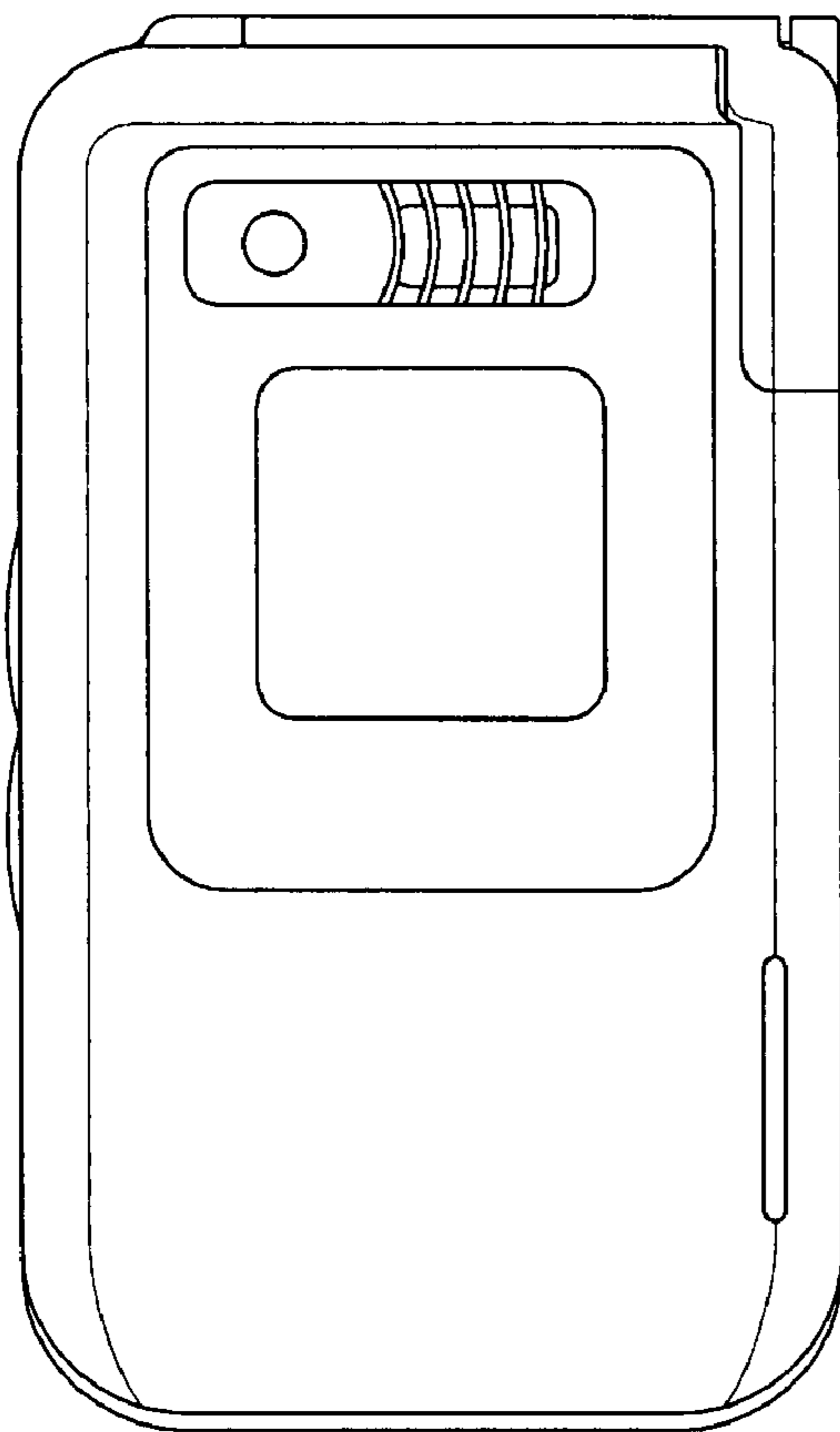


FIG. 3

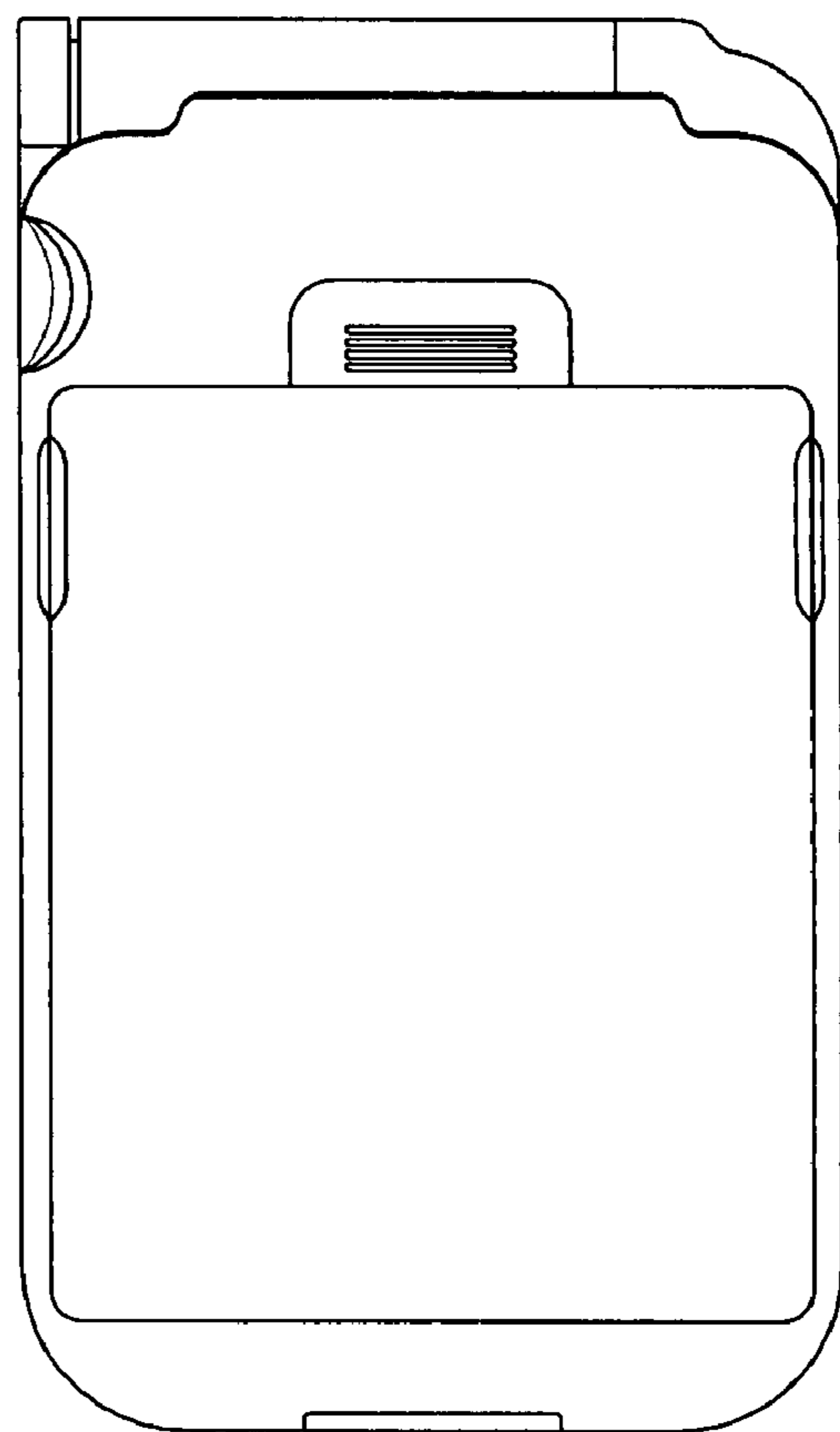


FIG. 4

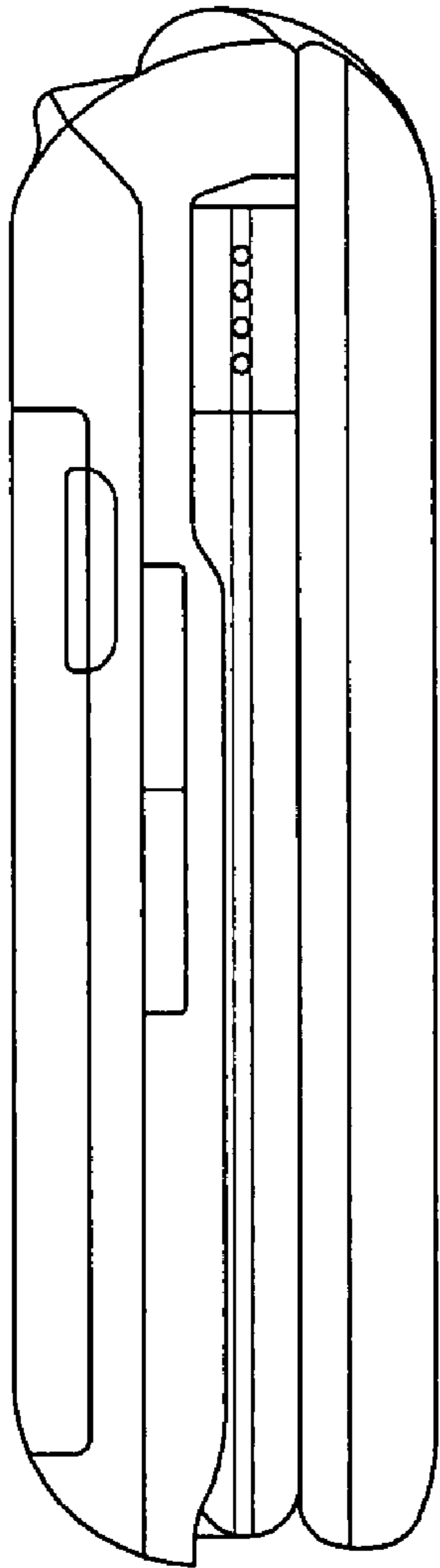


FIG. 5

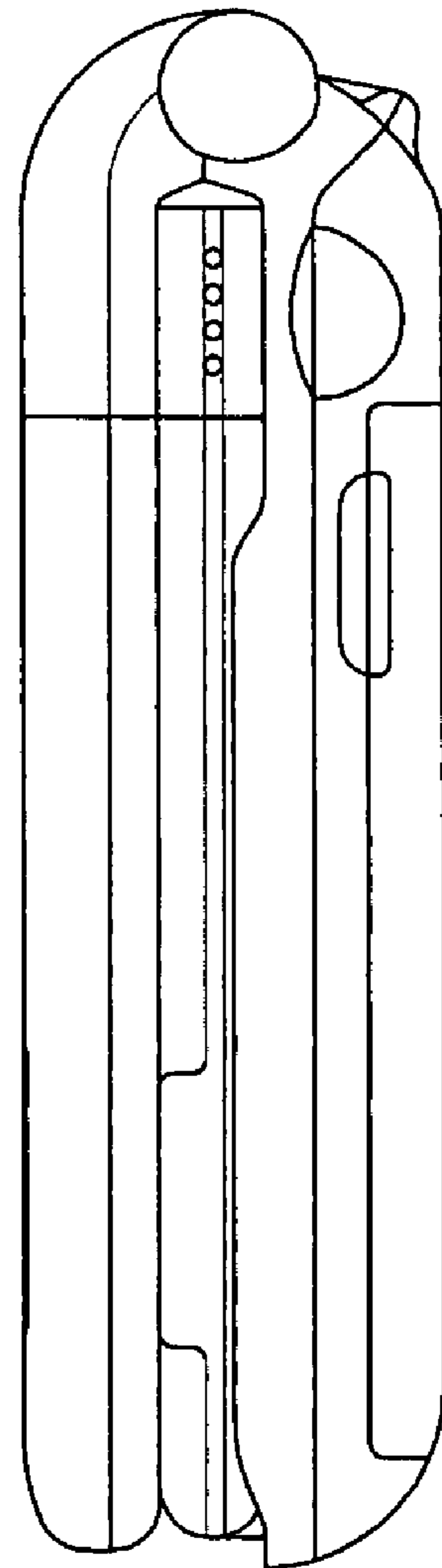


FIG. 6

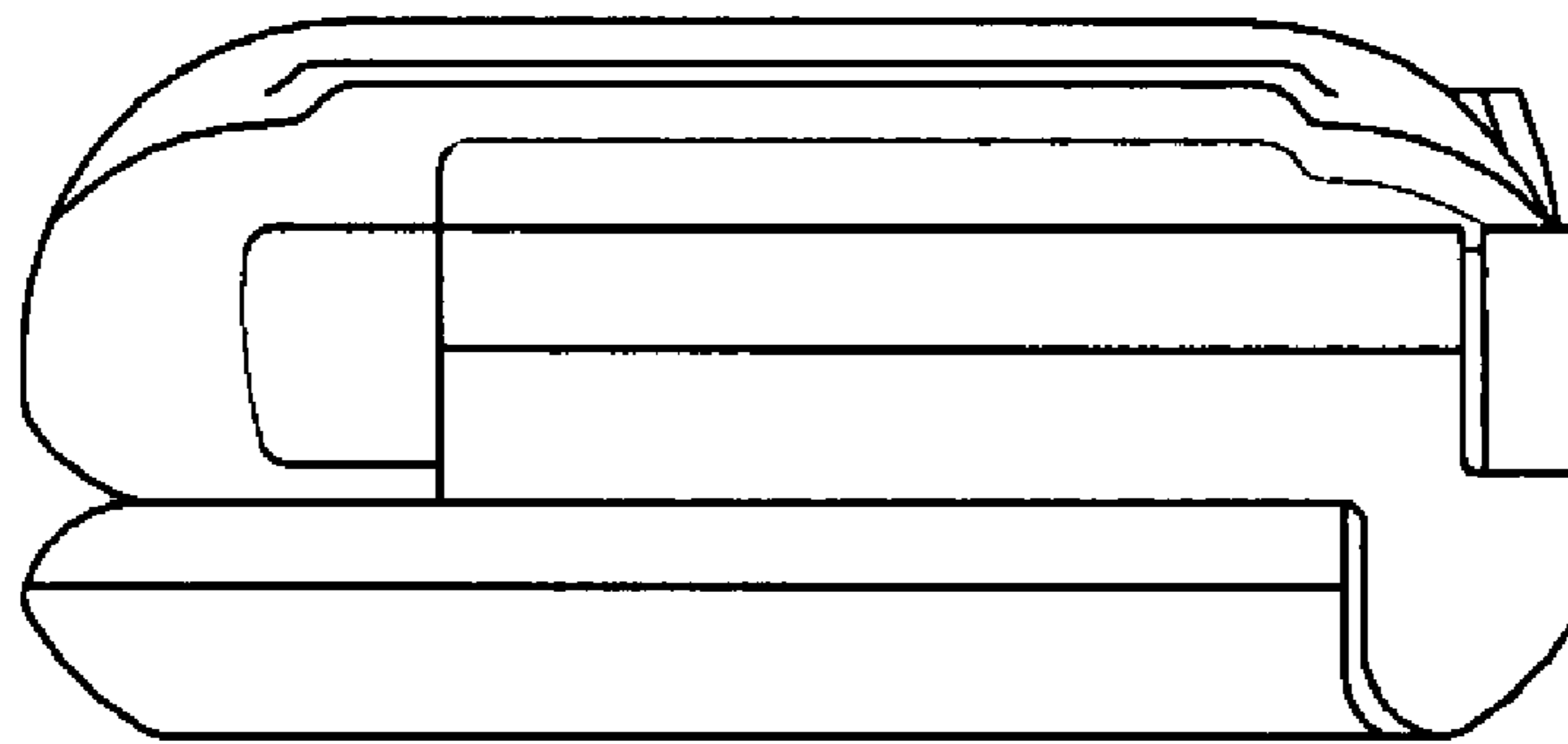


FIG. 7

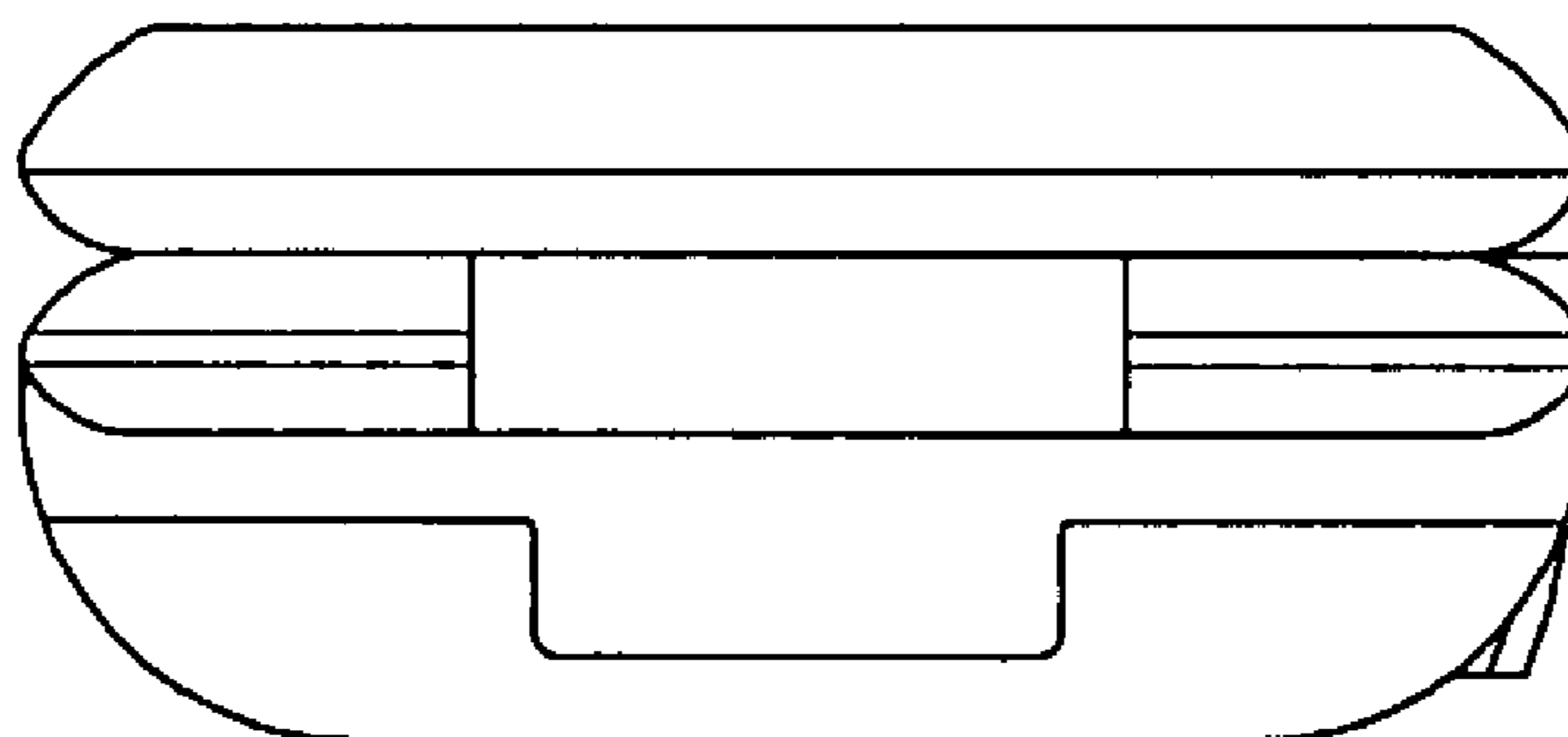


FIG. 8

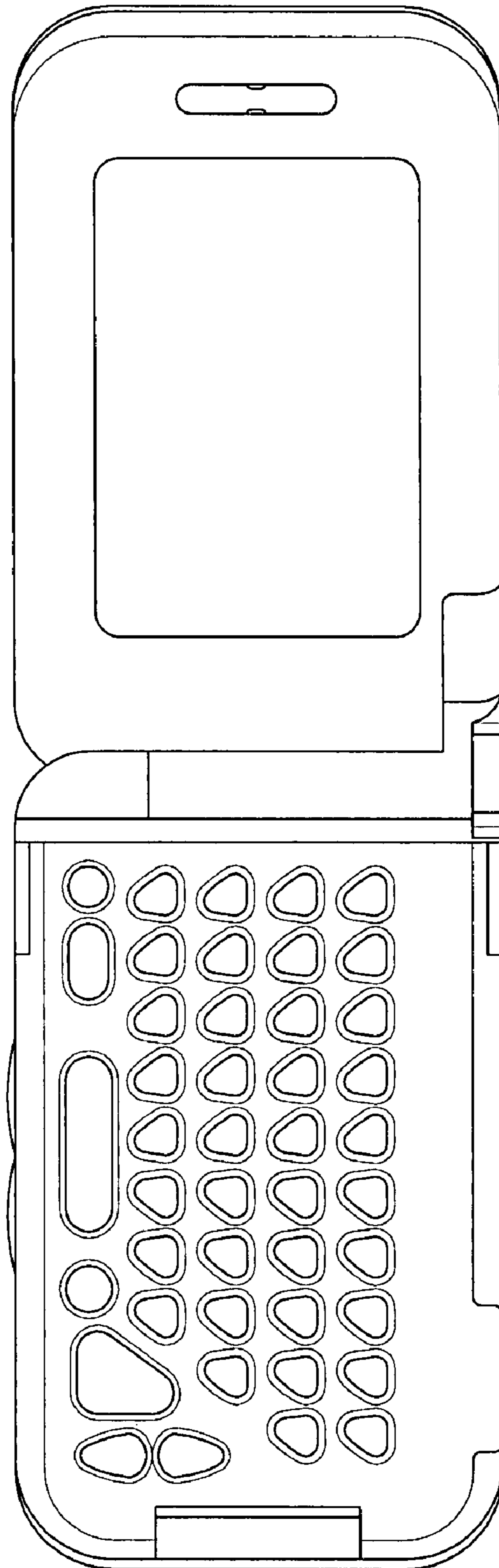


FIG. 9

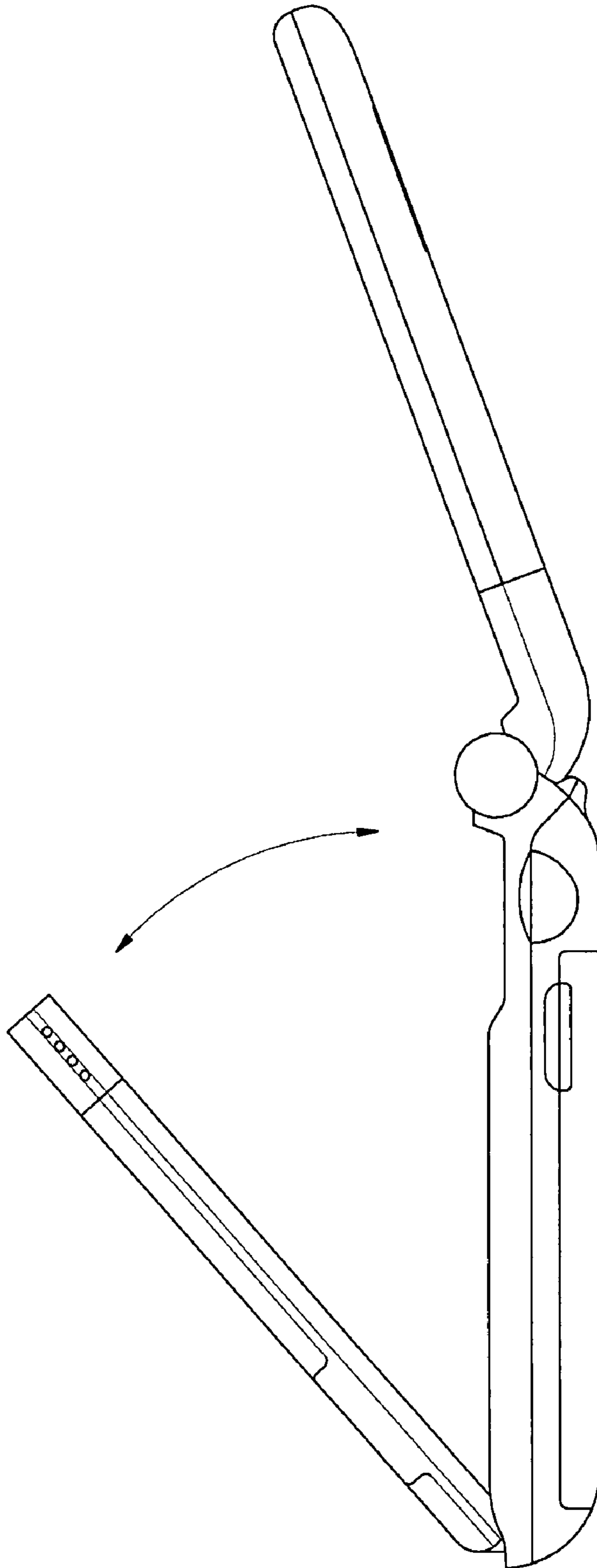


FIG. 10

