



US00D558168S

(12) **United States Design Patent**
Jeung et al.

(10) **Patent No.:** **US D558,168 S**

(45) **Date of Patent:** **** Dec. 25, 2007**

(54) **PORTABLE PHONE**

(75) Inventors: **Jong-Yun Jeung**, Seoul (KR);
Jung-Hyeok Im, Seongnam-si (KR);
Min-Hyok Lee, Suwon-si (KR);
Chang-Hwan Hwang, Goyang-si (KR)

(73) Assignee: **Samsung Electronics Co., Ltd.**,
Suwon-Si (KR)

(**) Term: **14 Years**

(21) Appl. No.: **29/242,763**

(22) Filed: **Nov. 15, 2005**

(30) **Foreign Application Priority Data**

May 27, 2005 (KR) 30-2005-0017773

(51) **LOC (8) Cl.** **14-03**

(52) **U.S. Cl.** **D14/138**

(58) **Field of Classification Search** D14/496,
D14/138, 341-347; 455/575.3, 575.1; D21/517,
D21/329, 333

See application file for complete search history.

(56) **References Cited**

U.S. PATENT DOCUMENTS

D443,866	S *	6/2001	Arbisi et al.	D14/138
D465,466	S *	11/2002	Hyun	D14/138
D475,986	S *	6/2003	Ng et al.	D14/138
D484,862	S *	1/2004	Yang	D14/138
D487,443	S *	3/2004	Yoon	D14/138
D489,699	S *	5/2004	Hwang et al.	D14/138
D495,672	S *	9/2004	Jeon et al.	D14/138
D498,734	S *	11/2004	Joung	D14/138
D506,452	S *	6/2005	Lim	D14/138
D508,030	S *	8/2005	Jeung et al.	D14/138
D508,032	S *	8/2005	Kim et al.	D14/138
D510,922	S *	10/2005	Kim et al.	D14/138
D511,336	S *	11/2005	Kim et al.	D14/138
D512,040	S *	11/2005	Kim et al.	D14/138
D513,244	S *	12/2005	Kim et al.	D14/138

D515,061	S *	2/2006	Kim et al.	D14/138
D519,483	S *	4/2006	Cho et al.	D14/138
D521,479	S *	5/2006	Cho et al.	D14/138
D522,482	S *	6/2006	Jeung et al.	D14/138
D535,962	S *	1/2007	Yun et al.	D14/138
D542,761	S *	5/2007	Yoo et al.	D14/138
D543,524	S *	5/2007	Shin et al.	D14/138
2004/0185920	A1 *	9/2004	Choi et al.	455/575.1
2004/0203535	A1 *	10/2004	Kim et al.	455/90.3
2005/0140778	A1 *	6/2005	Kim et al.	348/14.02
2005/0159189	A1 *	7/2005	Iyer	455/566

OTHER PUBLICATIONS

Samsung Z107 telephone, announced 4th Quarter 2004, [online], [retrieved on Jun. 27, 2007]. Retrieved from Internet , <URL: <http://www.gsmarena.com>>.*

Haier V6100 telephone, announced 2004, [online], [retrieved on Jun. 28, 2007]. Retrieved from Internet , <URL: <http://www.gsmarena.com>>.*

(Continued)

Primary Examiner—Jeffrey Asch

(74) *Attorney, Agent, or Firm*—Staas & Halsey LLP

(57) **CLAIM**

The ornamental design for the portable phone, as shown and described.

DESCRIPTION

FIG. 1 is a perspective view of the portable phone showing our design;

FIG. 2 is a front view thereof;

FIG. 3 is a rear view thereof;

FIG. 4 is a left side view thereof;

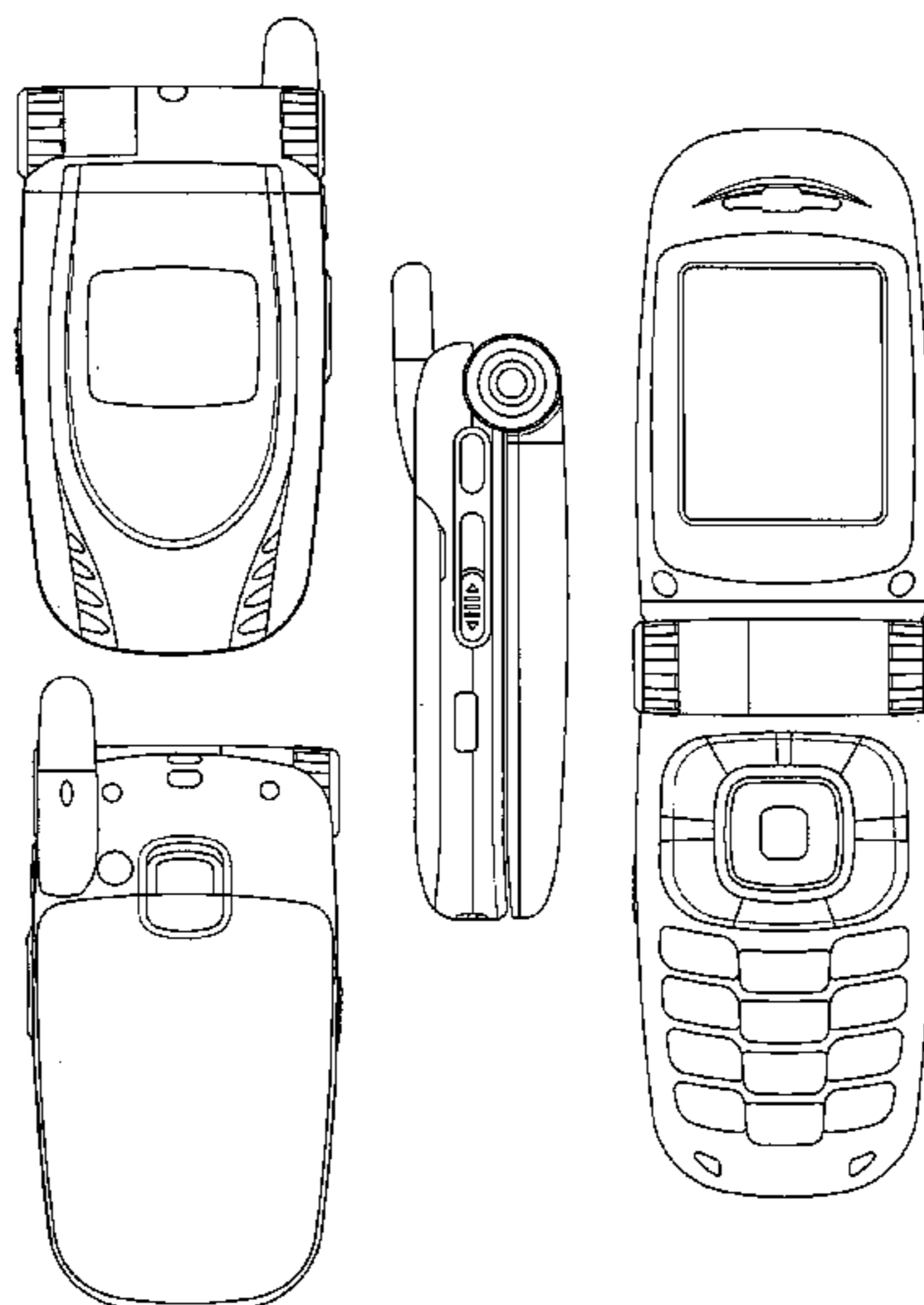
FIG. 5 is a right side view thereof;

FIG. 6 is a top plan view thereof;

FIG. 7 is a bottom plan view thereof; and,

FIG. 8 is a front, open view thereof.

1 Claim, 5 Drawing Sheets



OTHER PUBLICATIONS

Samsung Z110 telephone, announced 4th Quarter 2004, [online], [retrieved on Jun. 27, 2007]. Retrieved from Internet , <URL: <http://www.gsmarena.com>>.*

NEC N500i telephone, announced Feb. 2006, [online], [retrieved on May 9, 2007]. Retrieved from Internet , <URL: <http://www.gsmarena.com>>.*

* cited by examiner

FIG. 1

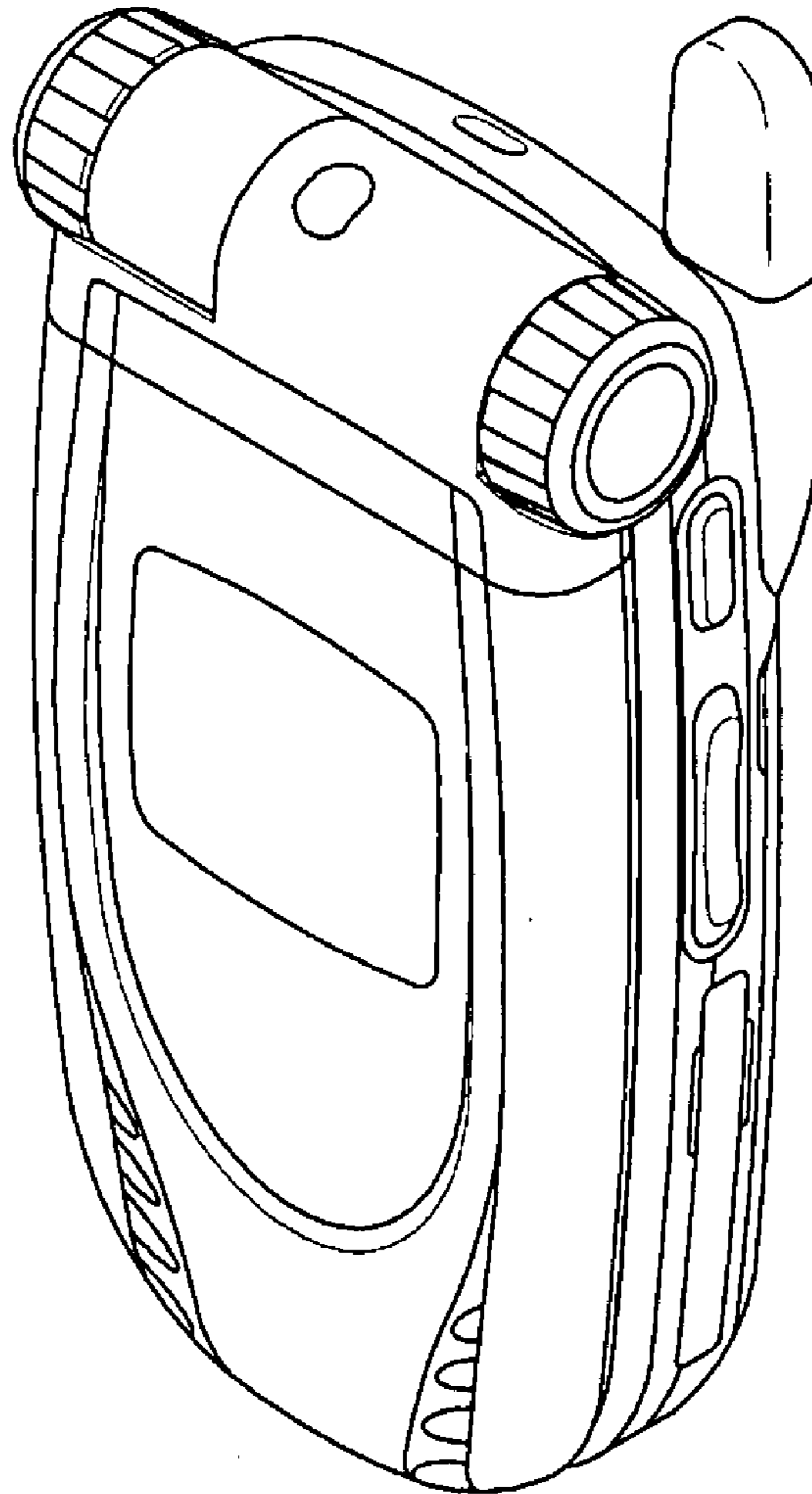


FIG. 2

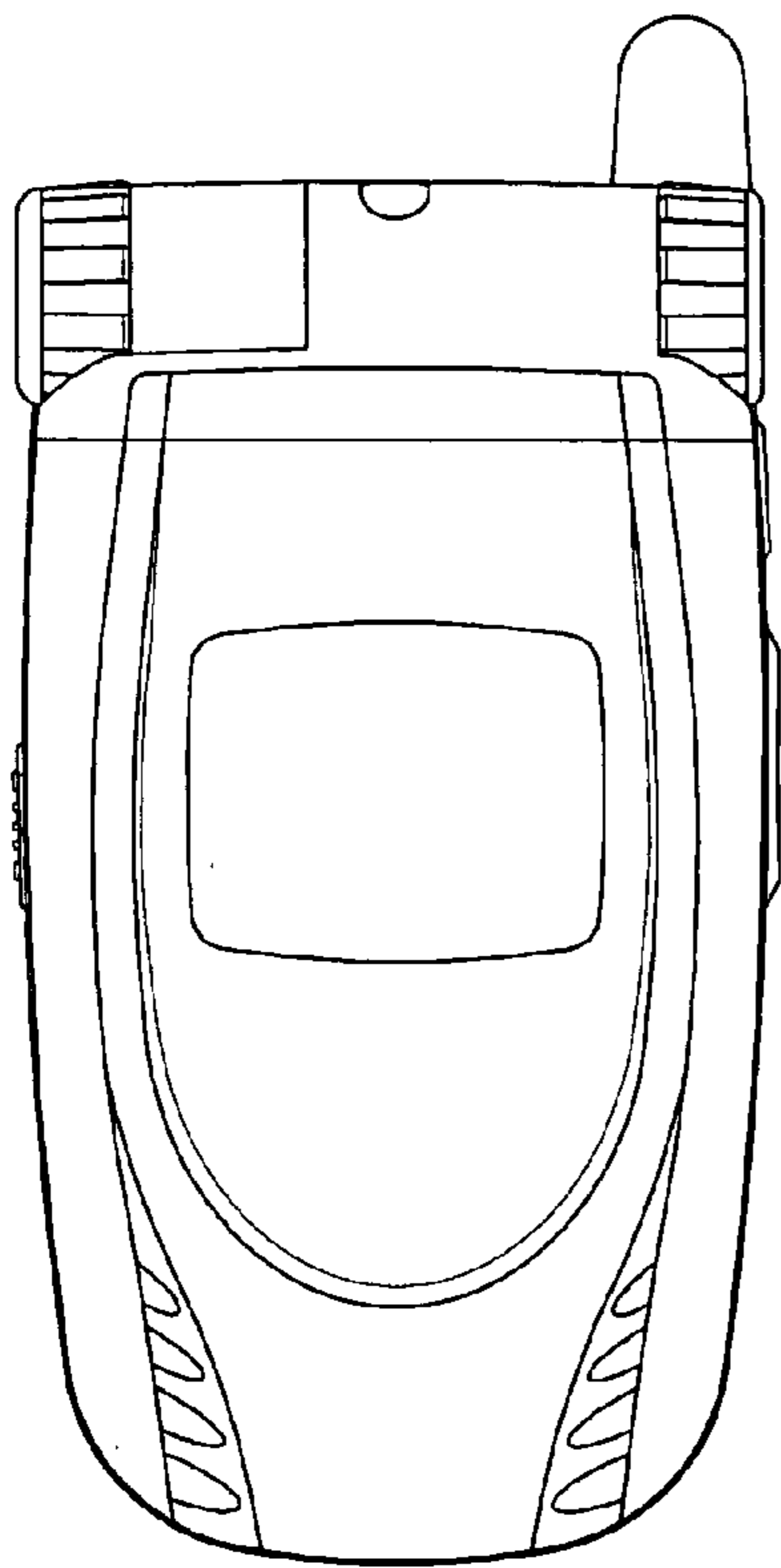


FIG. 3

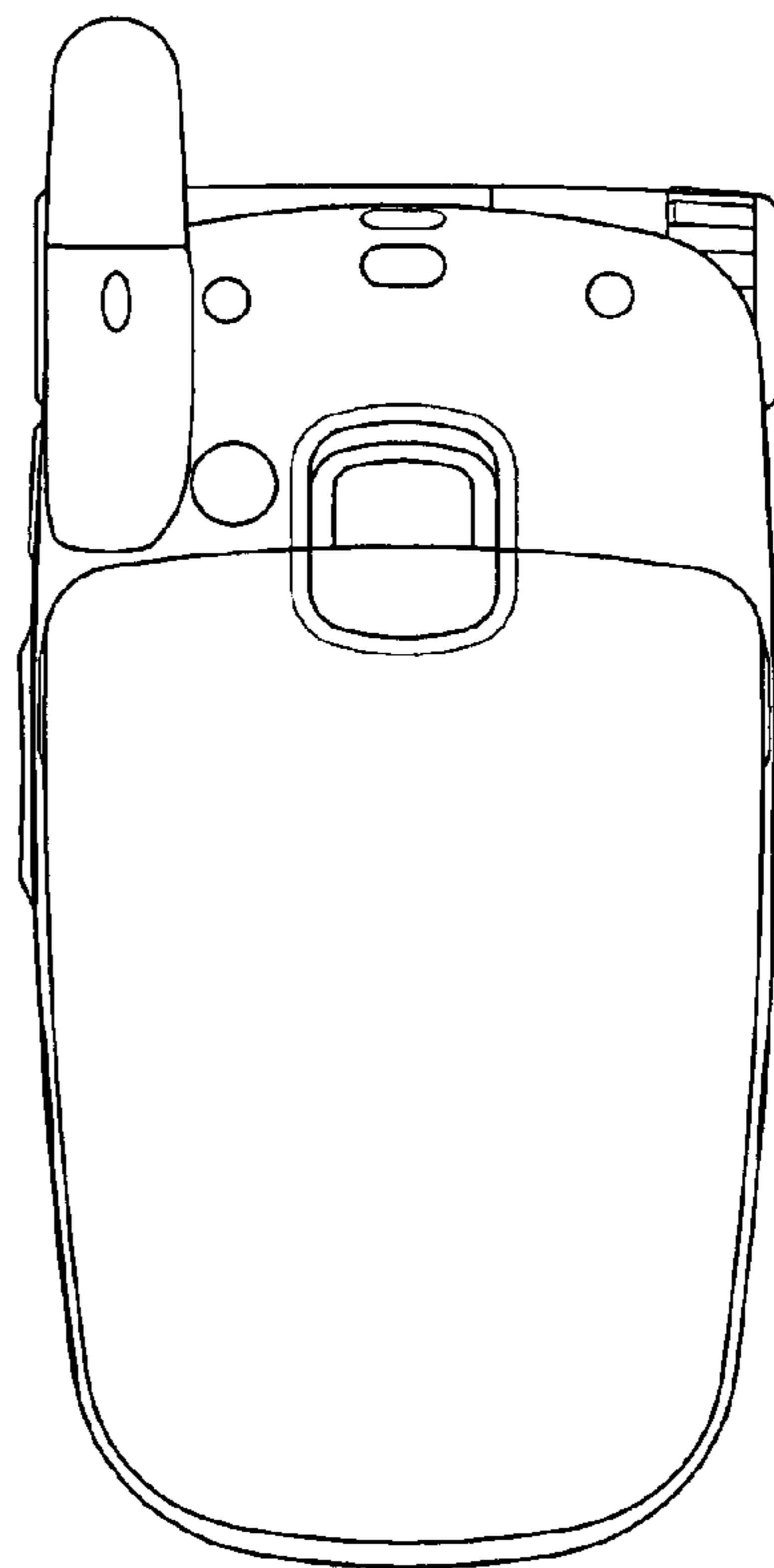


FIG. 4

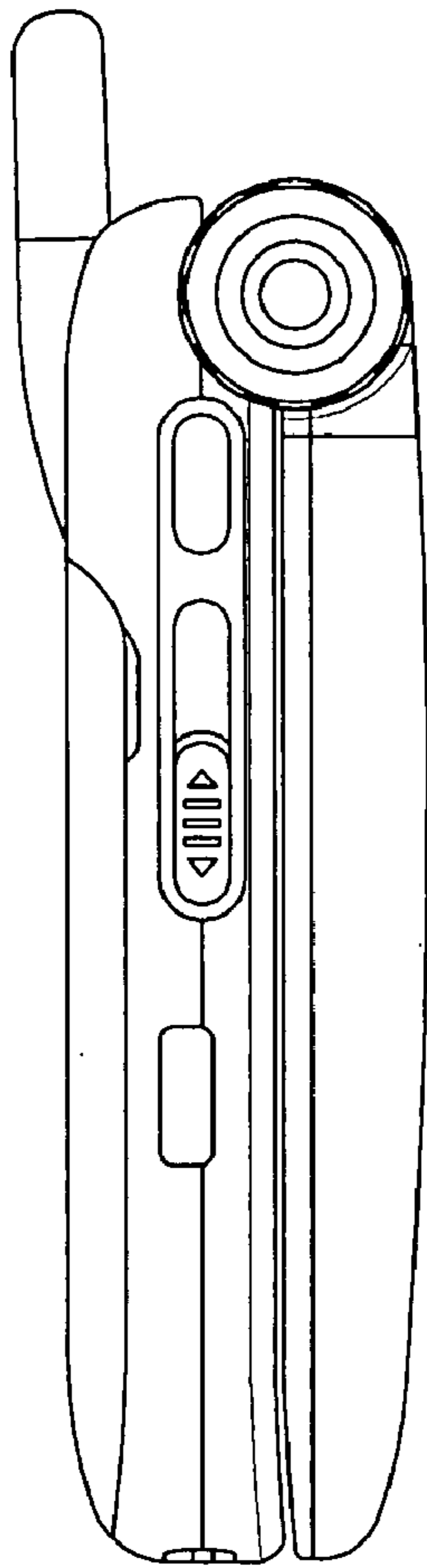


FIG. 5

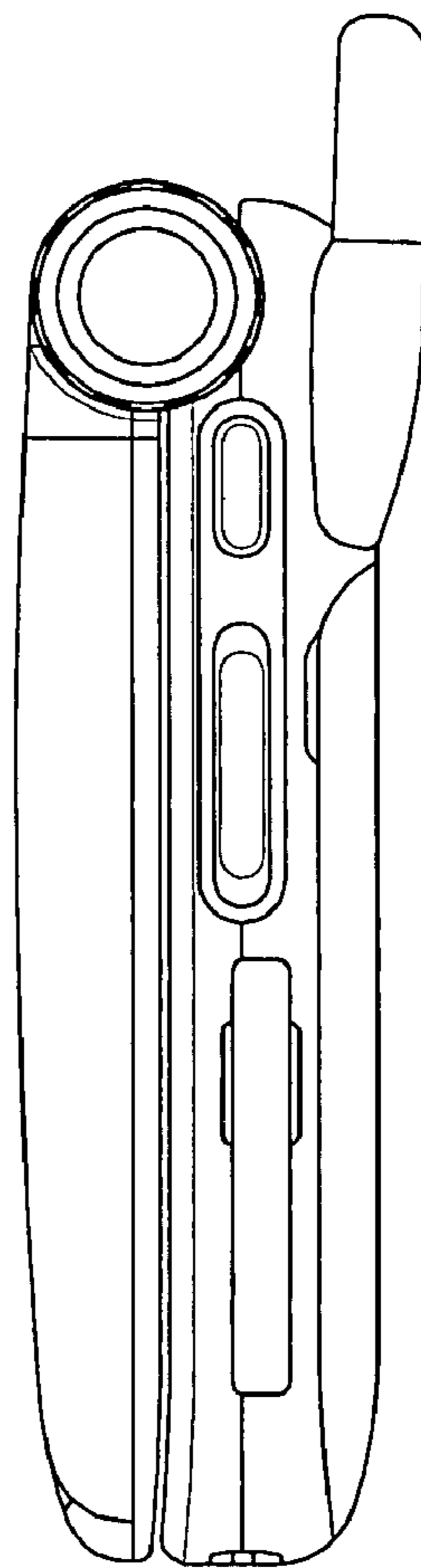


FIG. 6

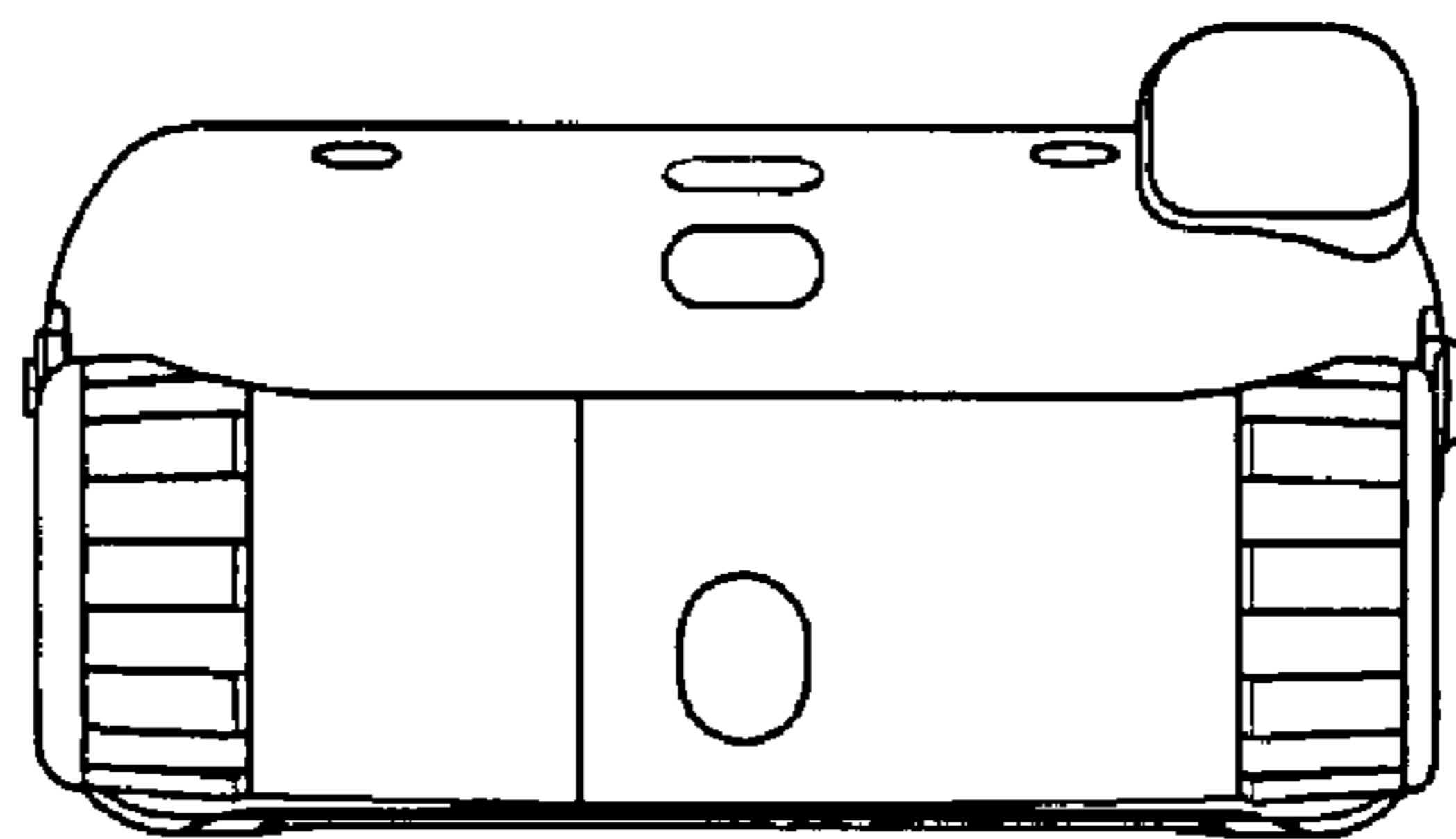


FIG. 7

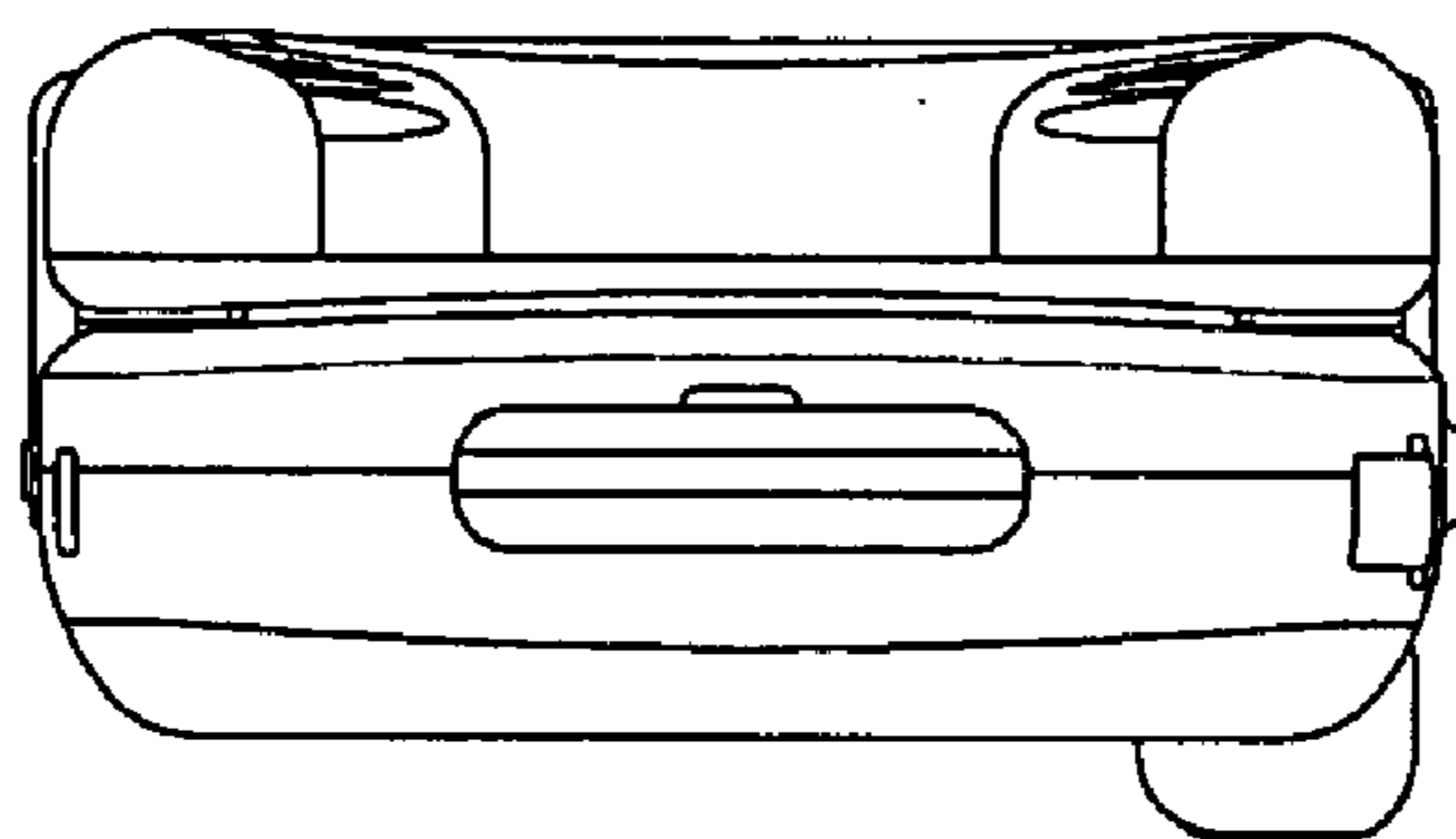


FIG. 8

