



US00D558164S

(12) **United States Design Patent**  
**Shin et al.**

(10) **Patent No.:** **US D558,164 S**

(45) **Date of Patent:** **\*\* Dec. 25, 2007**

(54) **TELEVISION RECEIVER**

(75) Inventors: **Young-Sun Shin**, Seoul (KR);  
**Hee-Bong Kim**, Seoul (KR); **Yong-Joo Lee**, Seoul (KR); **Kyu-Mi Han**, Seoul (KR)

(73) Assignee: **Samsung Electronics Co., Ltd.**,  
Kyunggi-do (KR)

(\*\*) Term: **14 Years**

(21) Appl. No.: **29/264,718**

(22) Filed: **Aug. 16, 2006**

(51) **LOC (8) Cl.** ..... **14-03**

(52) **U.S. Cl.** ..... **D14/128**

(58) **Field of Classification Search** ..... D14/125-134,  
D14/239, 371, 136, 374-377; 312/7.2; 348/836,  
348/838, 180, 184, 325, 739; 341/12; 248/917-924,  
248/465; 345/104, 133, 156, 168, 87, 173;  
720/605, 669, 600, 655; 369/99, 197; 455/344-347  
See application file for complete search history.

(56) **References Cited**

**U.S. PATENT DOCUMENTS**

|              |        |            |         |
|--------------|--------|------------|---------|
| D337,580 S   | 7/1993 | Koo        |         |
| D339,334 S   | 9/1993 | Koo        |         |
| D354,282 S   | 1/1995 | Koo et al. |         |
| D472,224 S * | 3/2003 | Sumii      | D14/126 |
| D485,557 S * | 1/2004 | Hsu et al. | D14/371 |

|              |         |              |         |
|--------------|---------|--------------|---------|
| D486,456 S * | 2/2004  | Fujiki       | D14/126 |
| D505,405 S * | 5/2005  | Honda et al. | D14/128 |
| D513,241 S * | 12/2005 | Huang        | D14/126 |
| D543,165 S * | 5/2007  | Lee et al.   | D14/128 |

**OTHER PUBLICATIONS**

U.S. Appl. No. 29/228,541, Applicant: Young-Sun Shin, et al., filed Apr. 25, 2005 entitled TELEVISION.

\* cited by examiner

*Primary Examiner*—Raphael Barkai

(74) *Attorney, Agent, or Firm*—Flynn, Thiel, Boutell & Tanis, P.C.

(57) **CLAIM**

The ornamental design for a a television receiver, as shown and described.

**DESCRIPTION**

FIG. 1 is a top front perspective view of a a television receiver showing our new design;

FIG. 2 is a front elevational view thereof;

FIG. 3 is a rear elevational view thereof;

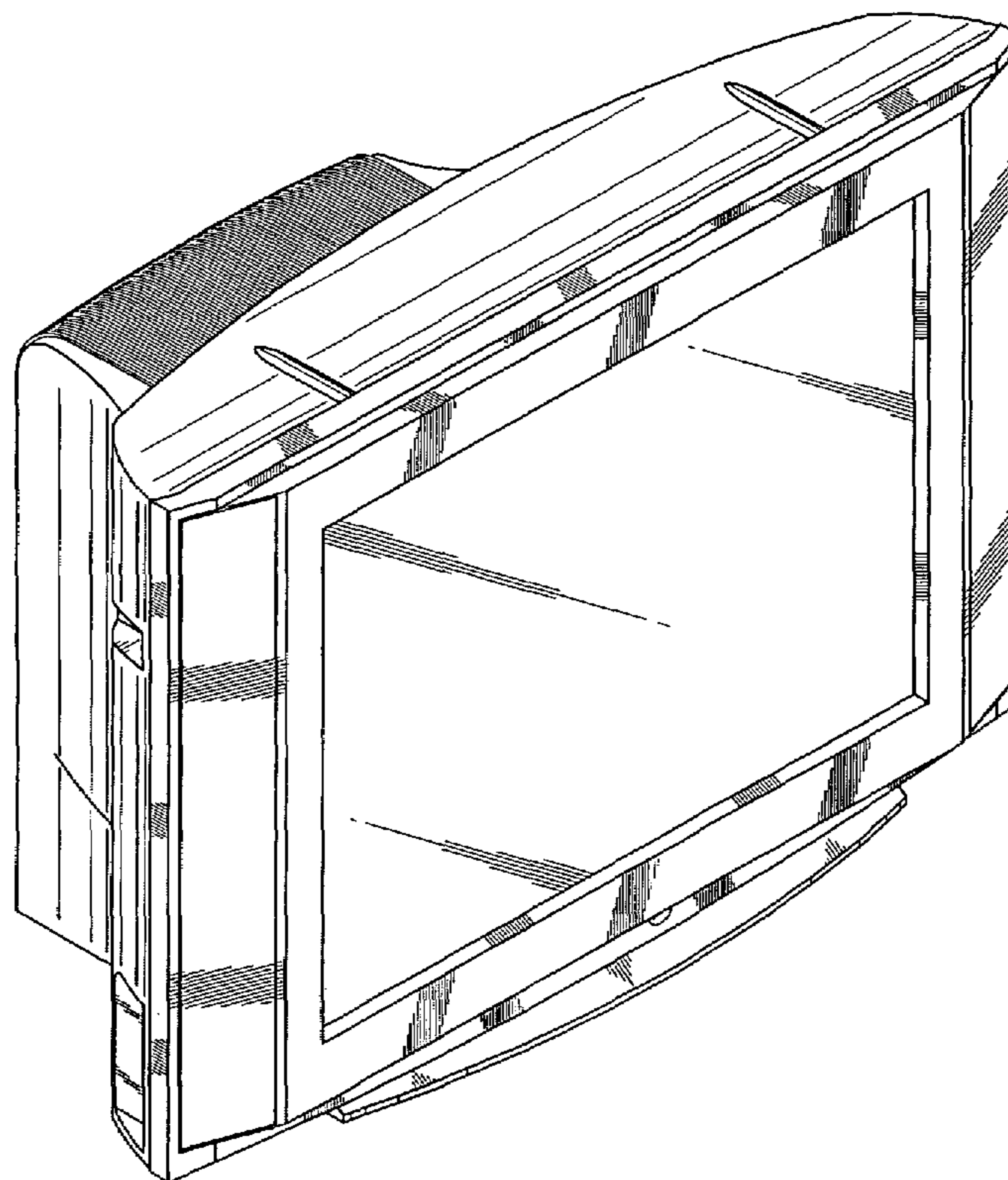
FIG. 4 is a left side elevational view thereof;

FIG. 5 is a right side elevational view thereof;

FIG. 6 is a top plan view thereof; and,

FIG. 7 is a bottom plan view thereof.

**1 Claim, 4 Drawing Sheets**



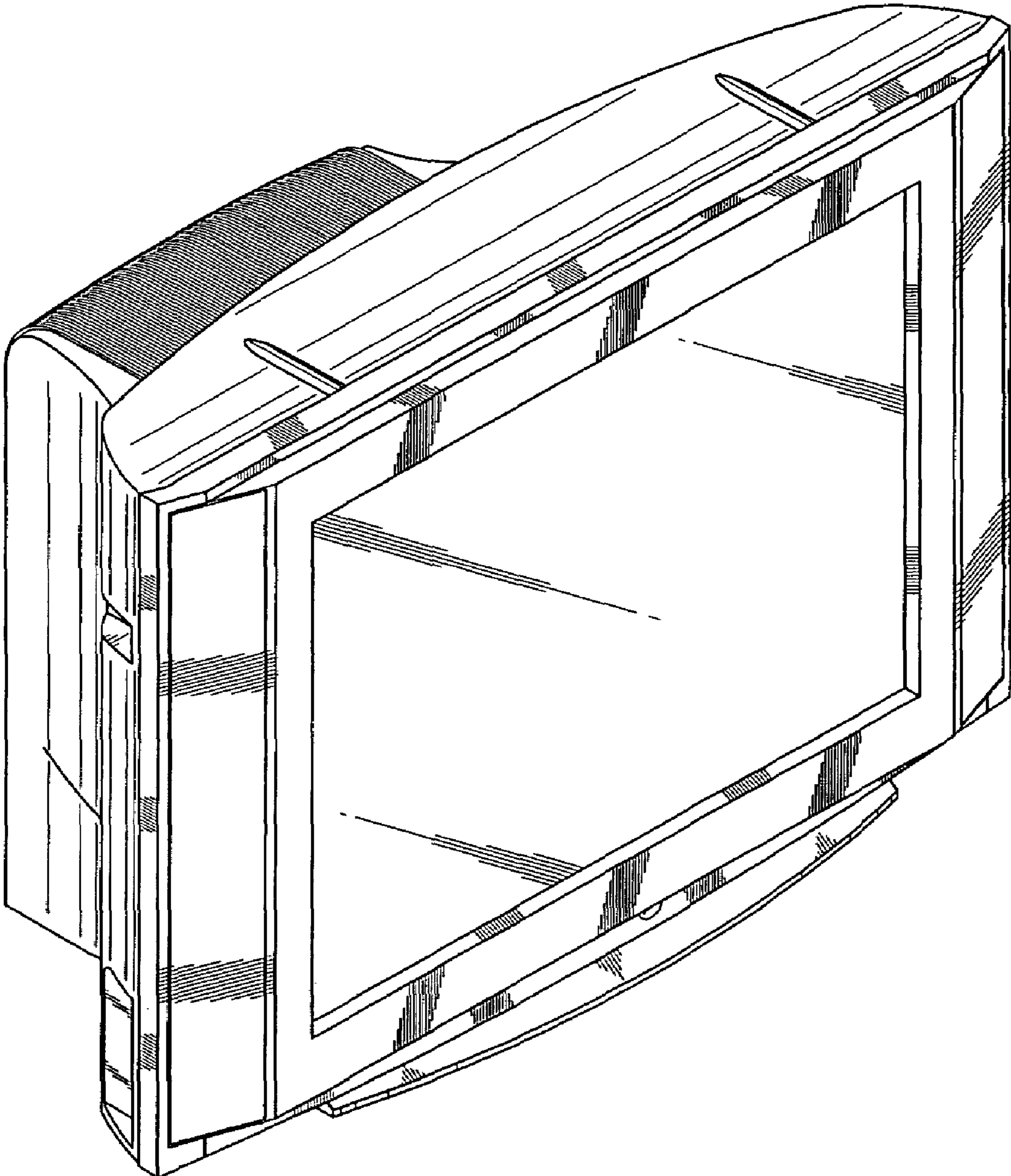


FIG. 1

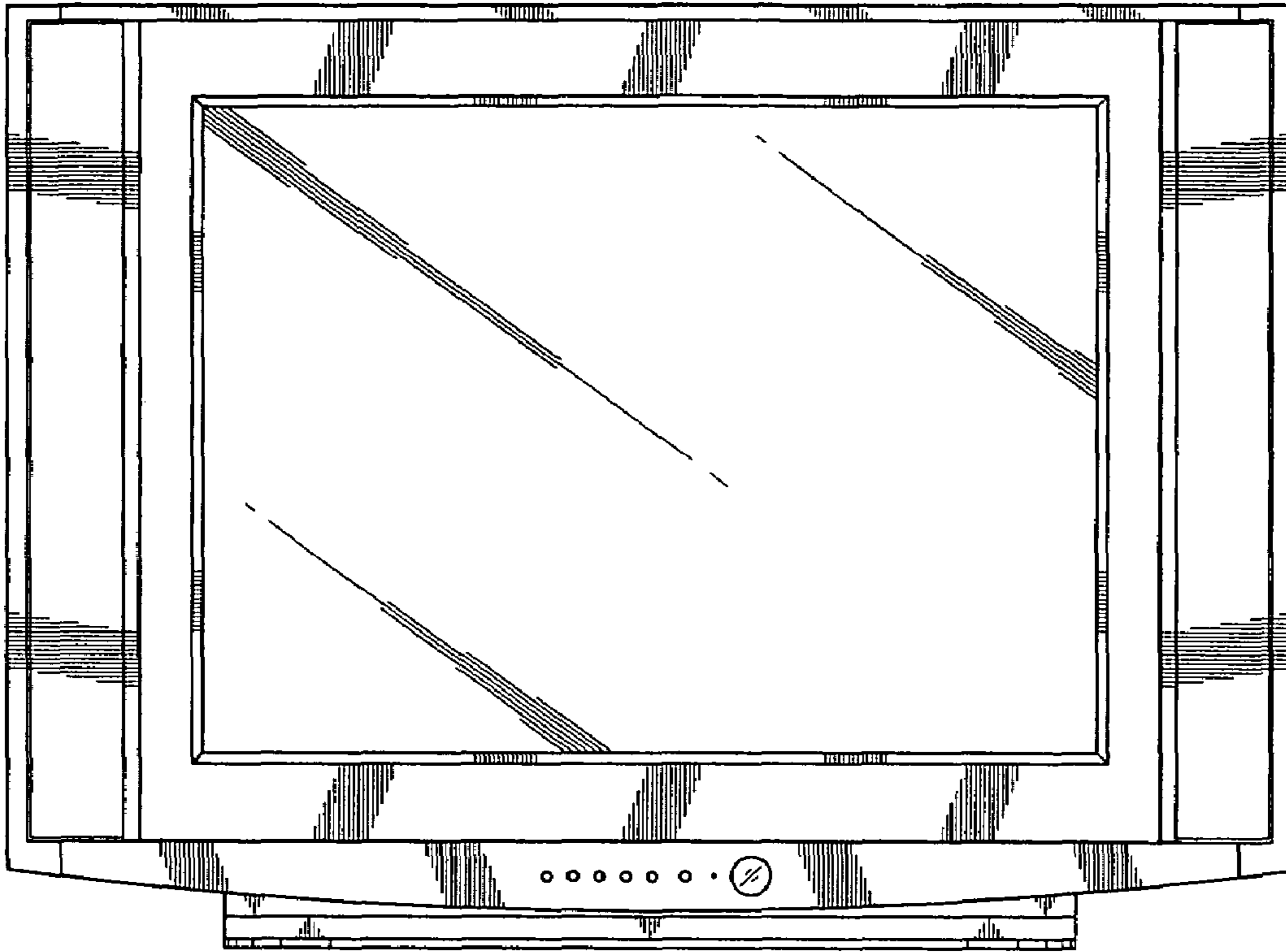


FIG. 2

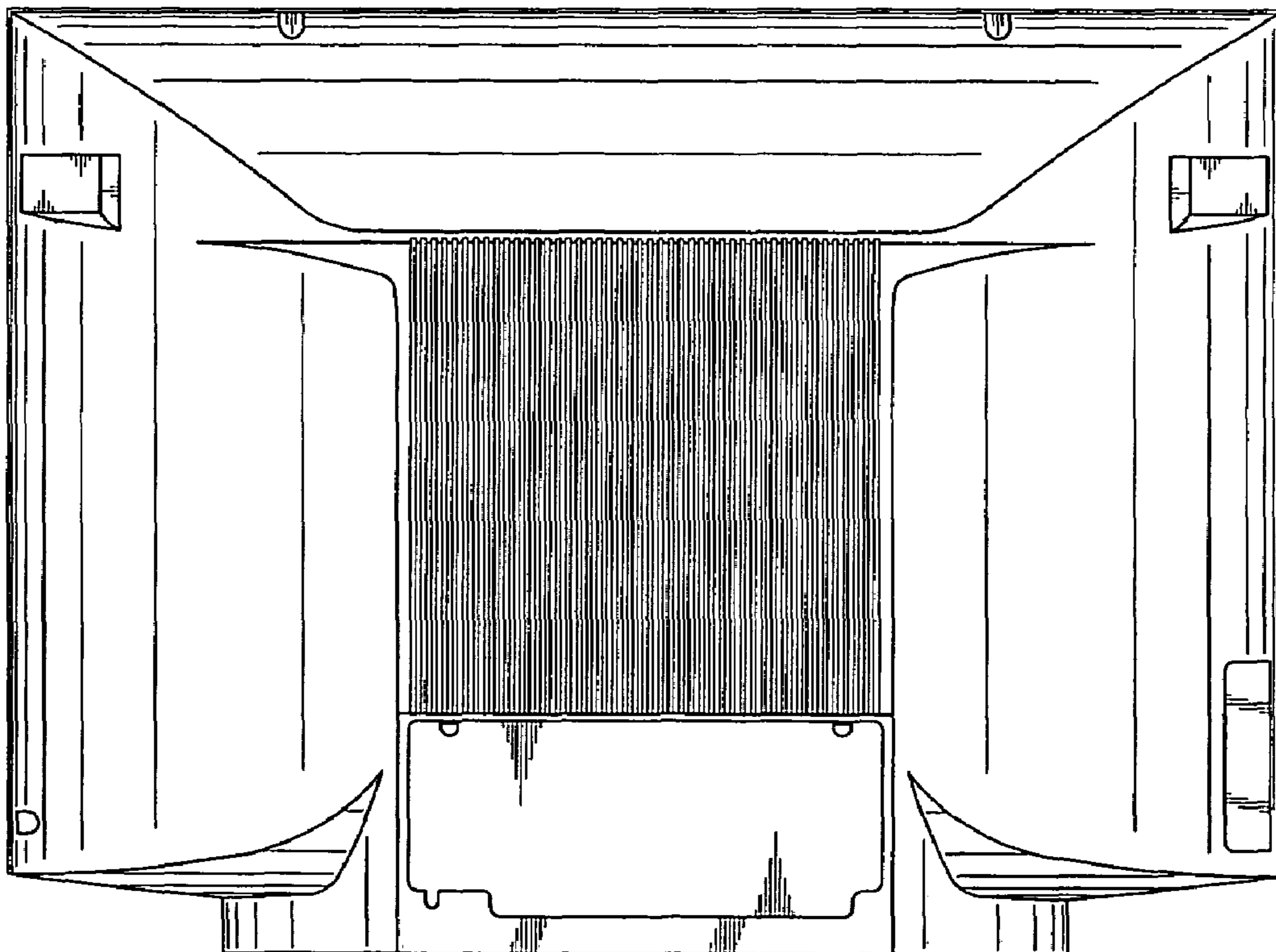


FIG. 3

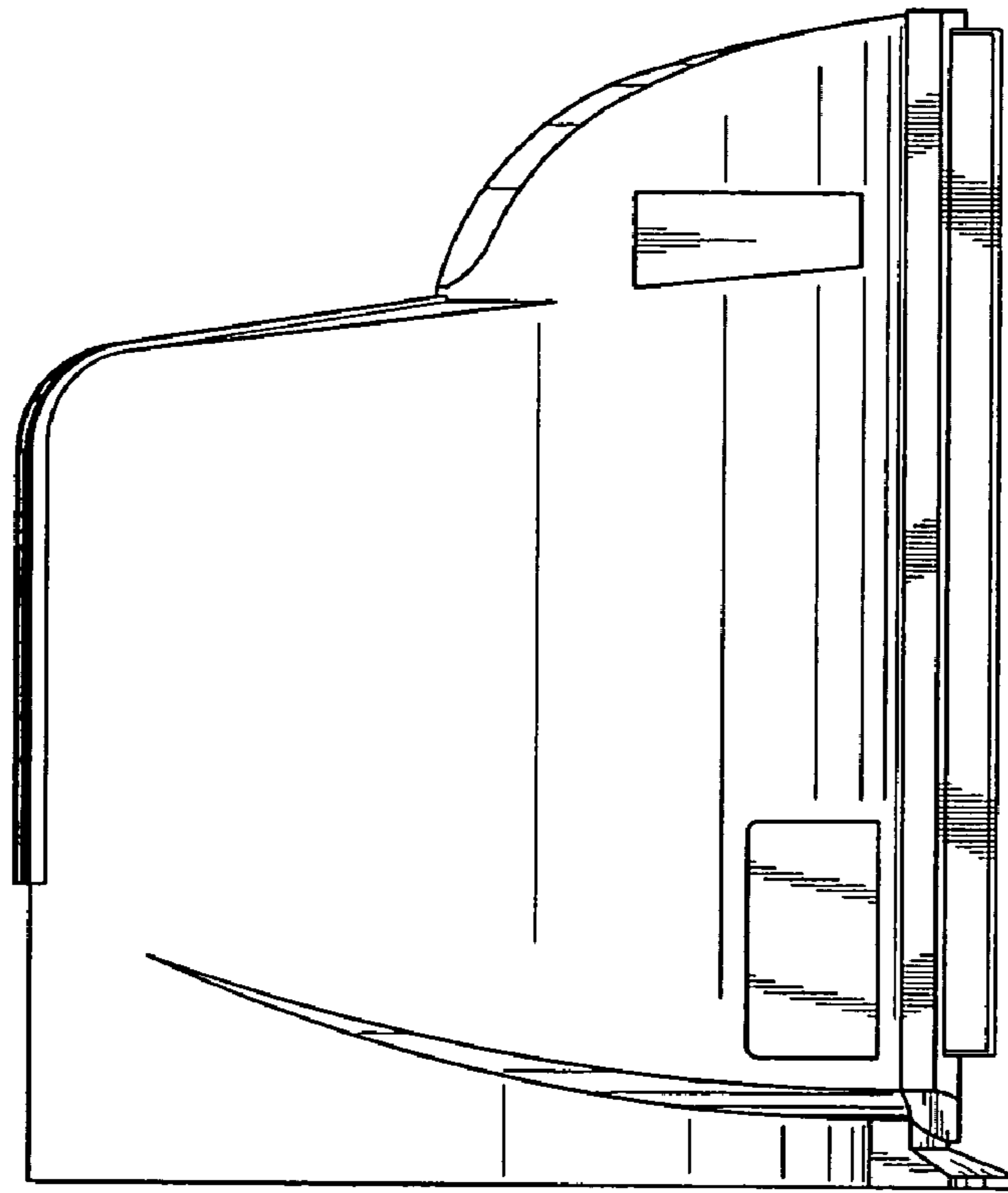


FIG. 4

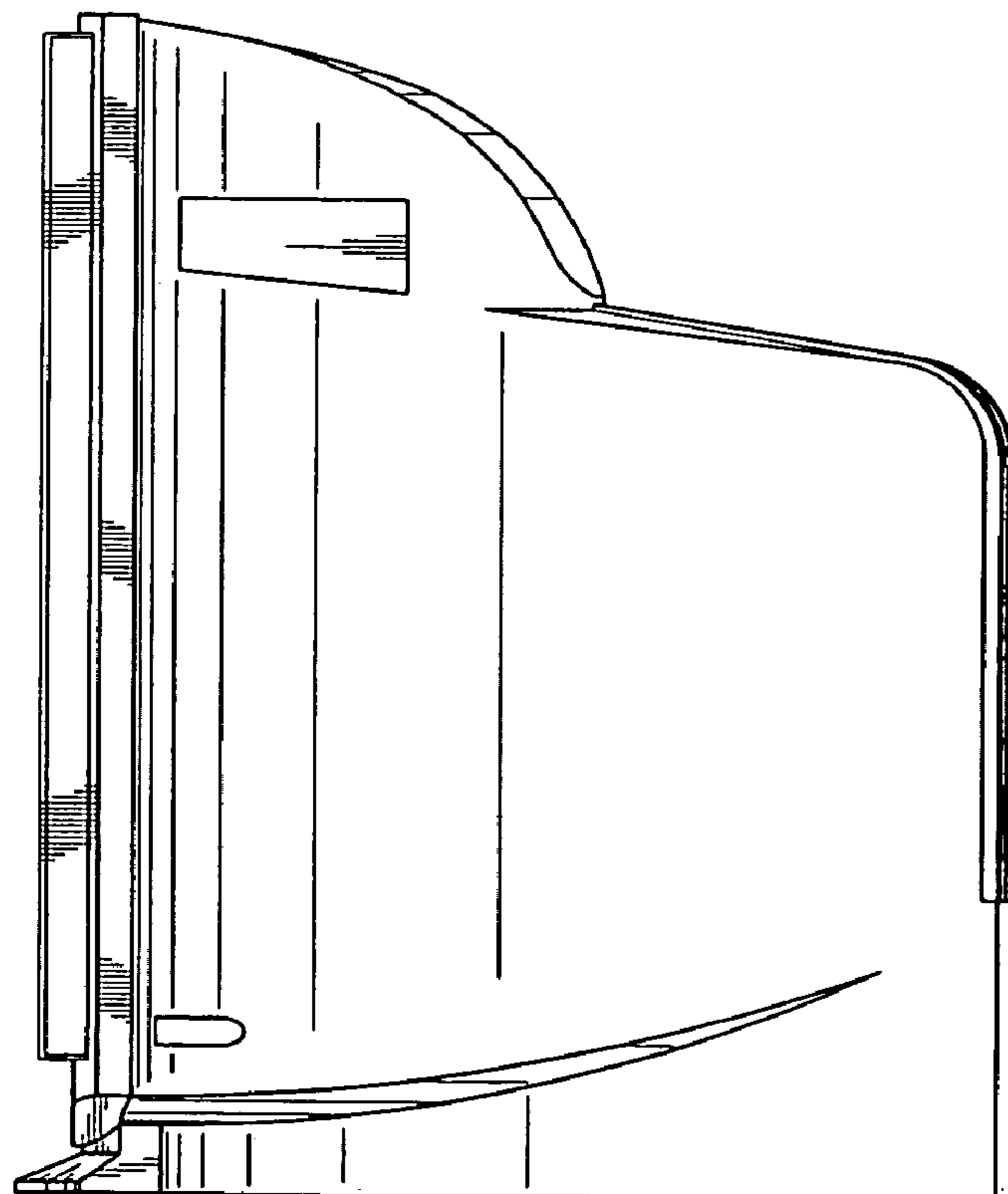


FIG. 5

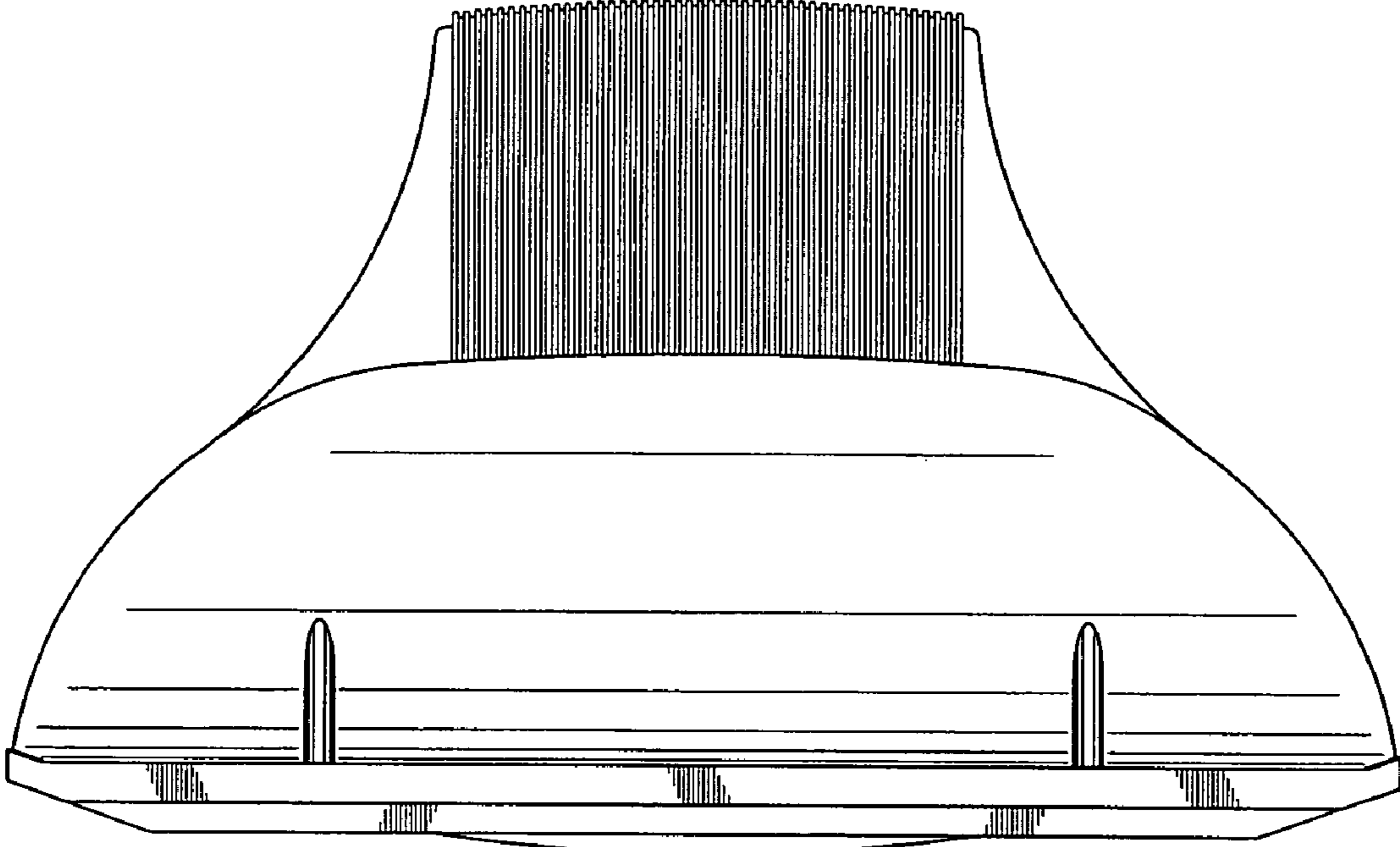


FIG. 6

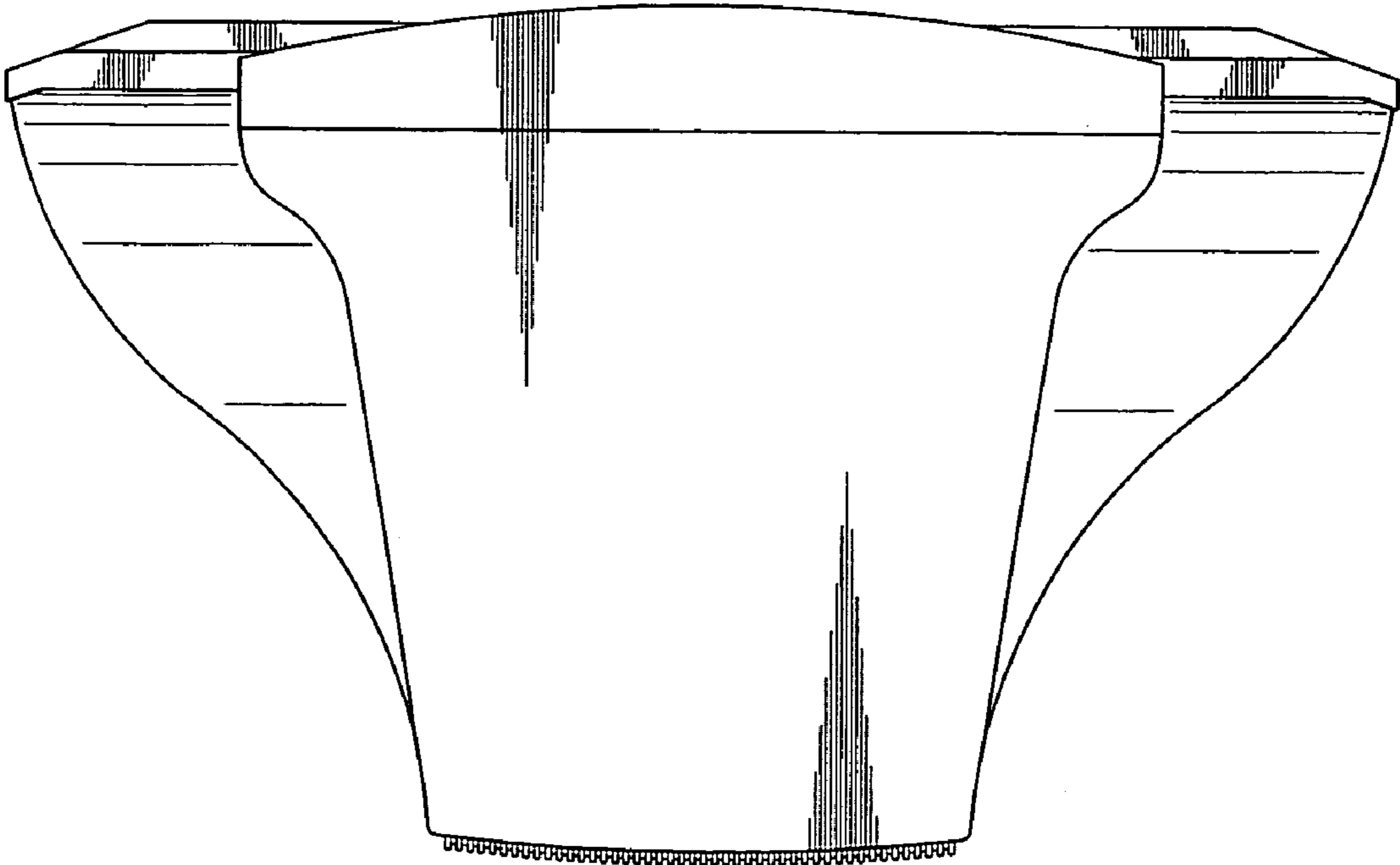


FIG. 7