



US00D558159S

(12) **United States Design Patent**
Solland

(10) **Patent No.:** **US D558,159 S**

(45) **Date of Patent:** **** Dec. 25, 2007**

(54) **VIDEO DISPLAY**

(75) Inventor: **Kurt Solland**, Westlake Village, CA
(US)

(73) Assignee: **Harman International Industries, Incorporated**, Northridge, CA (US)

(**) Term: **14 Years**

(21) Appl. No.: **29/233,688**

(22) Filed: **Jul. 8, 2005**

(51) **LOC (8) Cl.** **14-03**

(52) **U.S. Cl.** **D14/126**

(58) **Field of Classification Search** D14/125-134,
D14/239, 371, 136, 374-377; 312/7.2; 348/836,
348/838, 180, 184, 325, 739; 341/12; 248/917-924,
248/465; 345/104, 133, 156, 168, 87, 173;
720/605, 669, 600, 655; 369/99, 197; 455/344-347
See application file for complete search history.

(56) **References Cited**

U.S. PATENT DOCUMENTS

D357,468 S * 4/1995 Rodd D14/375
D410,447 S * 6/1999 Chang D14/126

6,015,120 A * 1/2000 Sweere et al. 248/921
D426,200 S * 6/2000 Aeschbacher et al. D14/126
D458,928 S * 6/2002 Duan D14/375

* cited by examiner

Primary Examiner—Raphael Barkai
(74) *Attorney, Agent, or Firm*—Plumsea Law Group, LLC

(57) **CLAIM**

The ornamental design for a video display, as shown and described.

DESCRIPTION

FIG. 1 is a perspective view of a video display showing my new design;

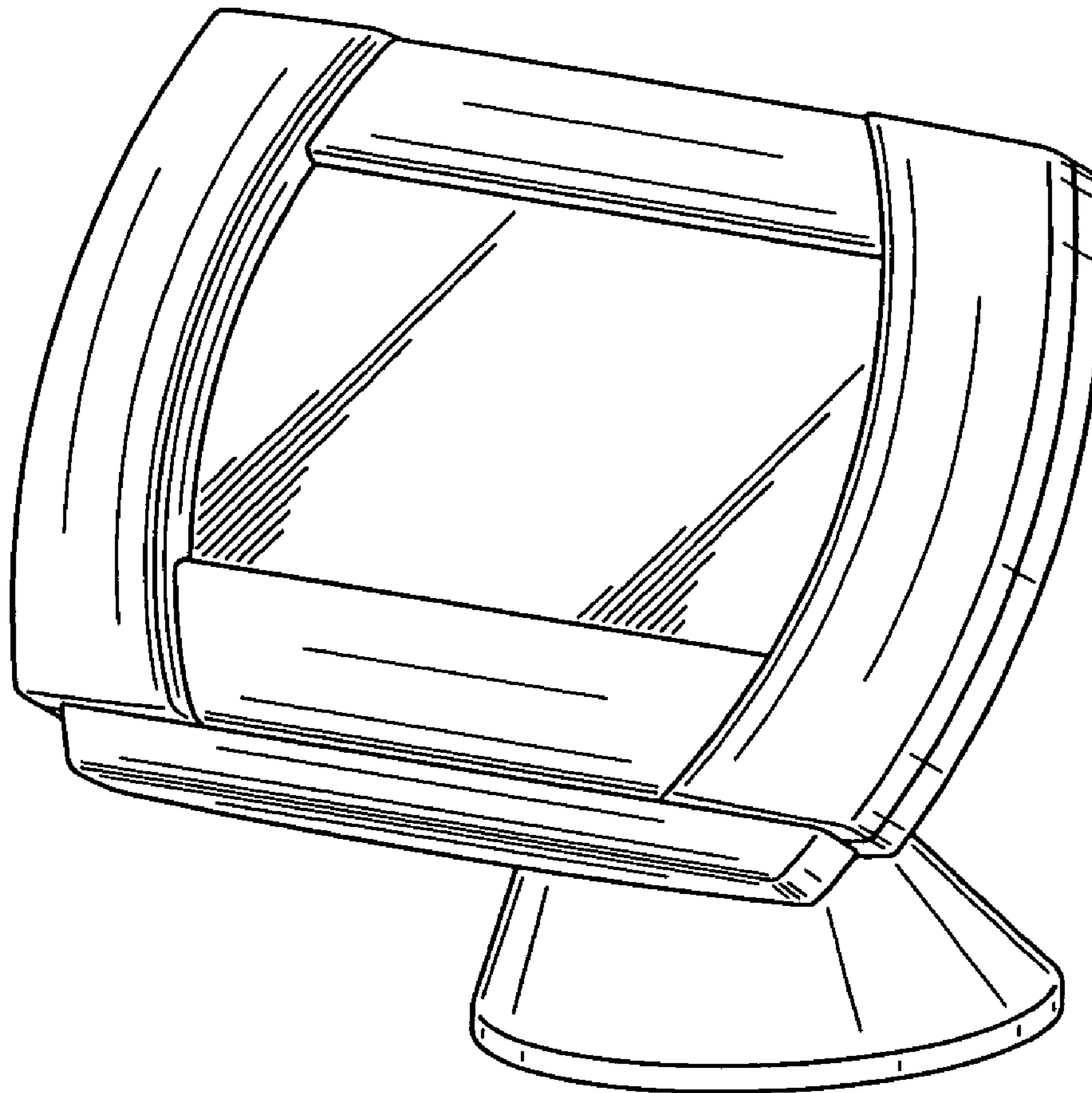
FIG. 2 is a front elevational view thereof;

FIG. 3 is a top plan view thereof; and,

FIG. 4 is a side elevational view, the opposite side elevational view being a mirror image thereof.

The broken line showing of the rear of the screen in FIG. 4 is for illustrative purposes only and forms no part of the claimed design.

1 Claim, 2 Drawing Sheets



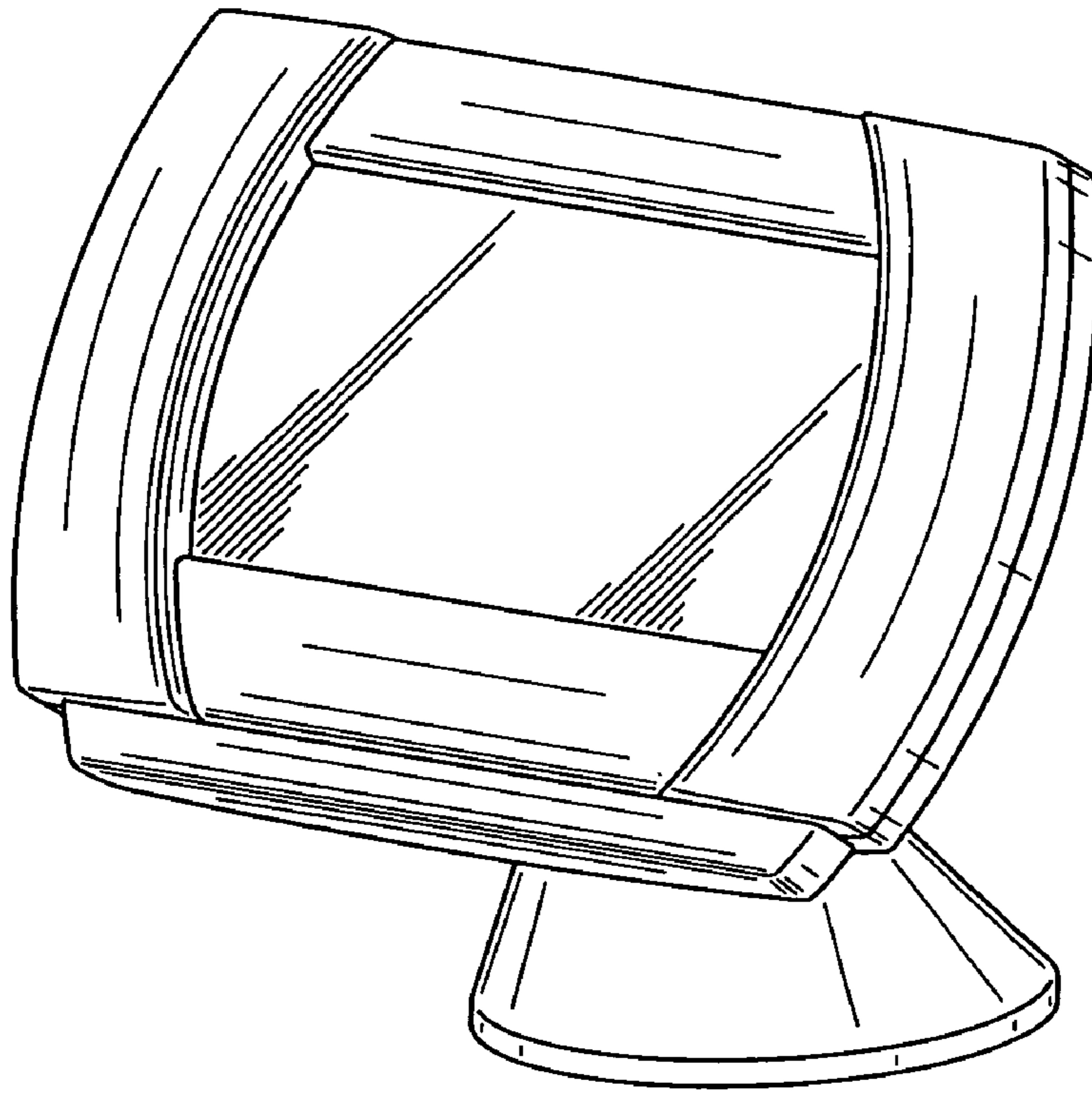


FIG. 1

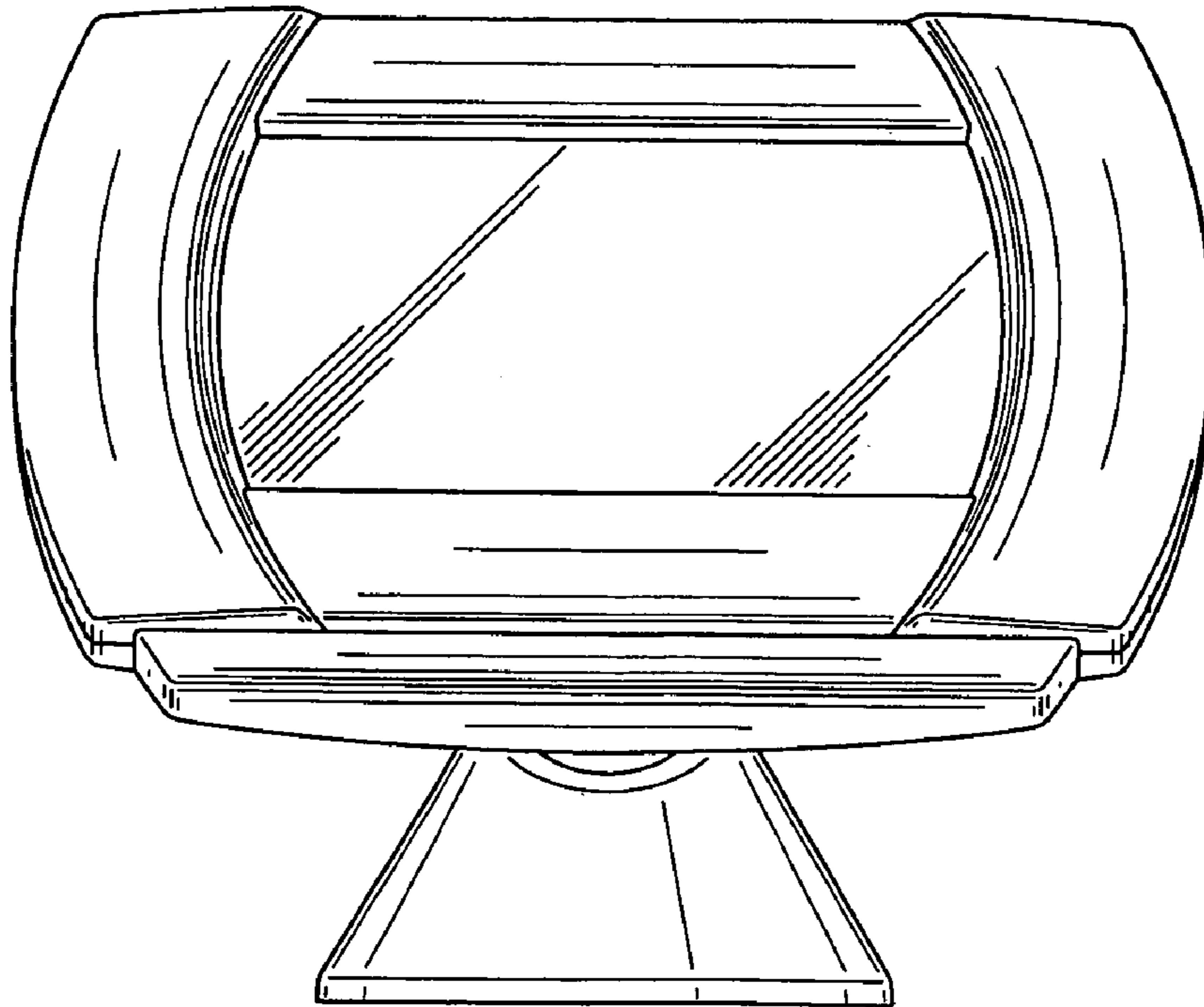


FIG. 2

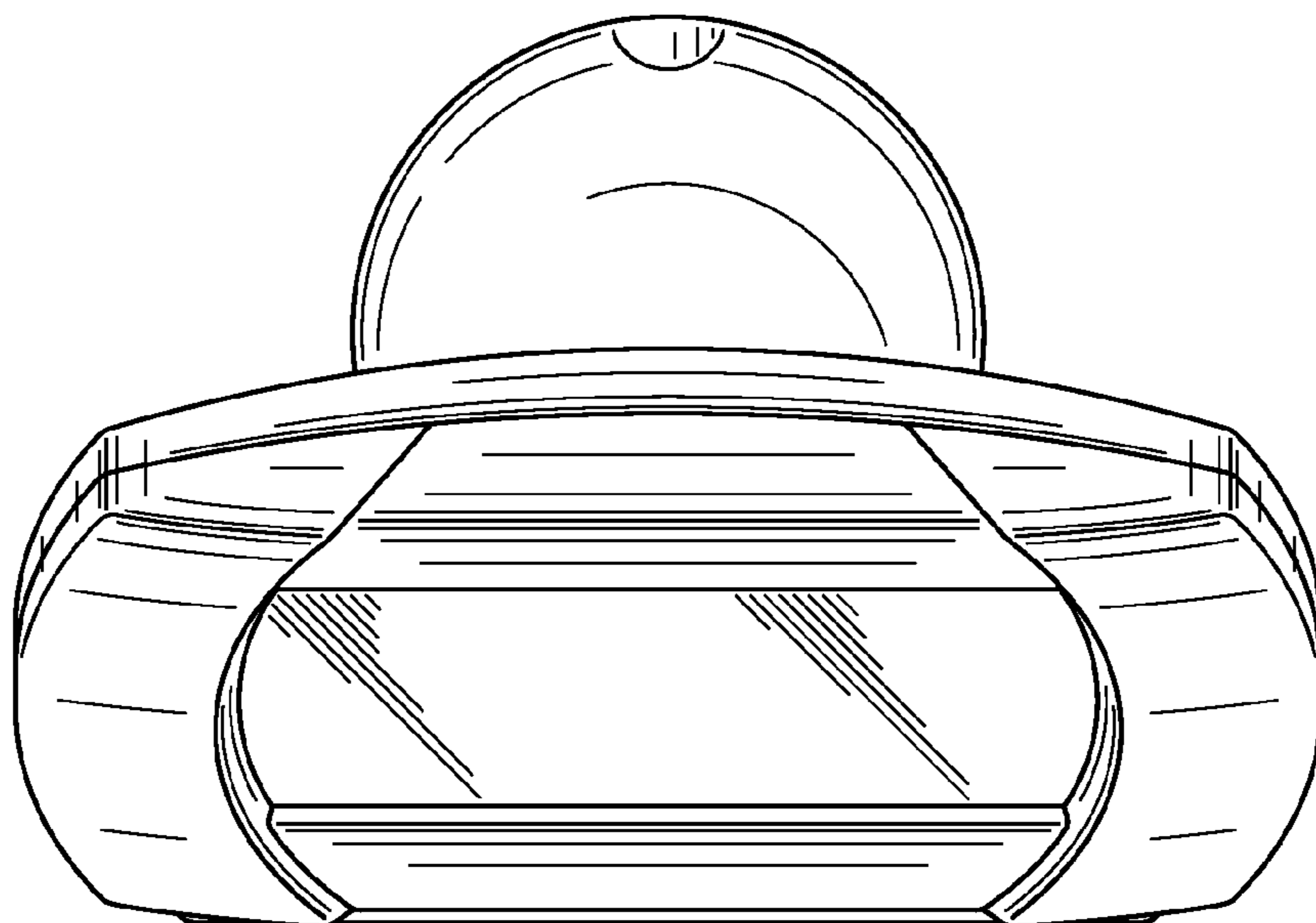


FIG. 3

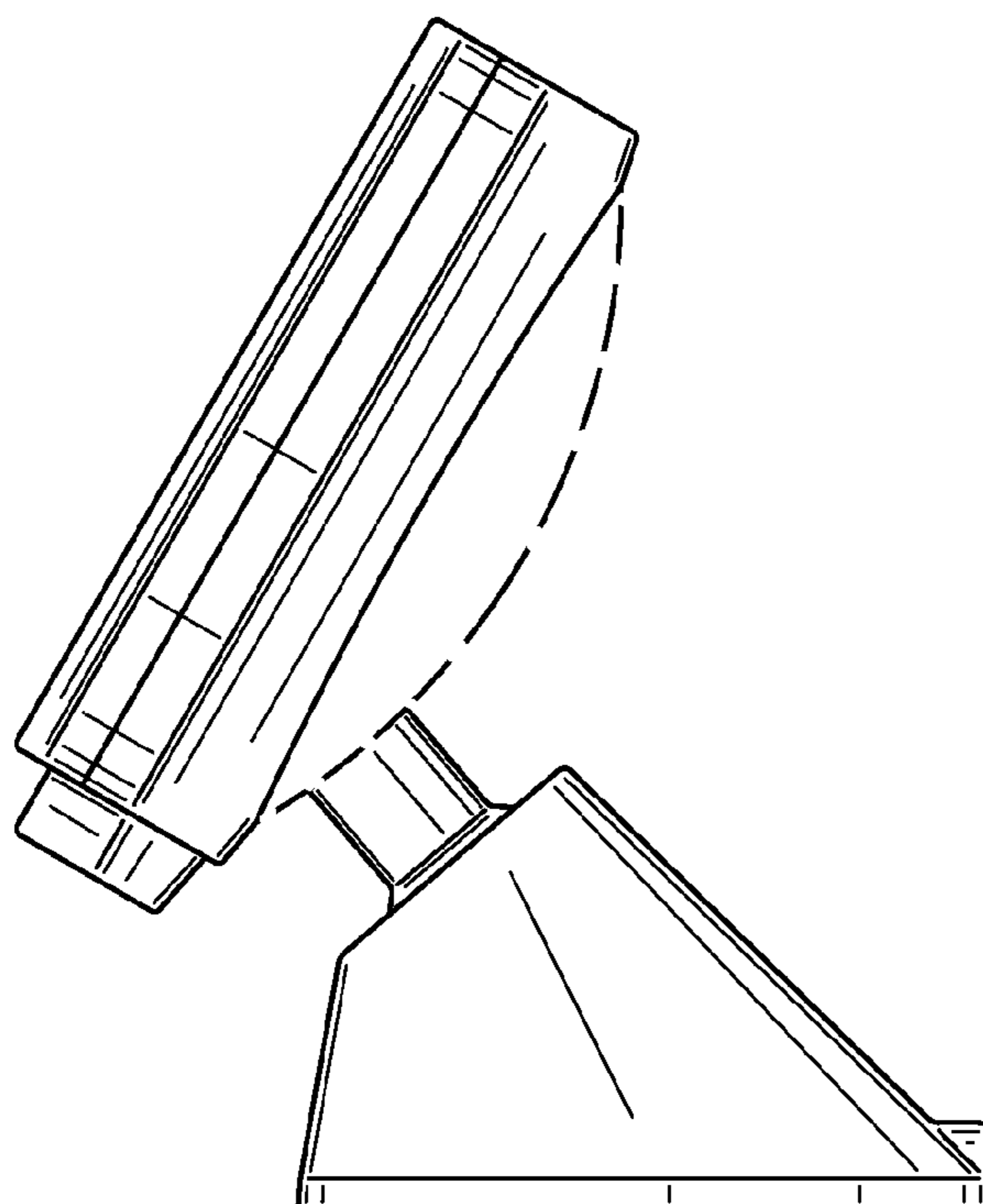


FIG. 4