



US00D558156S

(12) **United States Design Patent**
Yoon et al.

(10) **Patent No.:** **US D558,156 S**

(45) **Date of Patent:** **** Dec. 25, 2007**

(54) **LIGHT-EMITTING DIODE**

(75) Inventors: **Jae Joon Yoon**, Kyungki-do (KR);
Joon Ho Yoon, Seoul (KR); **Jae Woo**
Cho, Kyungki-do (KR); **Ok Hee Shin**,
Kyungki-do (KR); **Young Taek Kim**,
Kyungki-do (KR); **Hong Min Kim**,
Kyungki-do (KR)

(73) Assignee: **Samsung Electro-Mechanics Co., Ltd.**,
Kyungki-do (KR)

(**) Term: **14 Years**

(21) Appl. No.: **29/269,978**

(22) Filed: **Dec. 13, 2006**

(30) **Foreign Application Priority Data**

Jun. 13, 2006 (KR) 30-2006-0021988

(51) **LOC (8) Cl.** **13-03**

(52) **U.S. Cl.** **D13/180**

(58) **Field of Classification Search** D13/180;
D26/2; 257/79, 80, 81, 88, 89, 95, 98, 99,
257/100; 313/483, 498, 500; 362/555, 800
See application file for complete search history.

(56) **References Cited**

U.S. PATENT DOCUMENTS

D489,692 S * 5/2004 Ishida D13/180
D490,386 S * 5/2004 Ishida D13/180
D495,667 S 9/2004 Kim et al.

D495,668 S * 9/2004 Kim et al. D13/180
D528,999 S * 9/2006 Cho et al. D13/180
D531,141 S * 10/2006 Tzeng D13/180
D541,759 S * 5/2007 Shin et al. D13/180
7,242,035 B2 * 7/2007 Kim et al. 257/99
2006/0284203 A1 * 12/2006 Han et al. 257/98
2007/0029564 A1 * 2/2007 Han et al. 257/98

FOREIGN PATENT DOCUMENTS

KR 30-0408292 3/2006

* cited by examiner

Primary Examiner—Selina Sikder

(74) *Attorney, Agent, or Firm*—McDermott Will & Emery
LLP

(57) **CLAIM**

The ornamental design for the light-emitting diode, as
shown and described.

DESCRIPTION

FIG. 1 is the perspective view of the light-emitting diode

FIG. 2 is the front view thereof

FIG. 3 is the rear view thereof

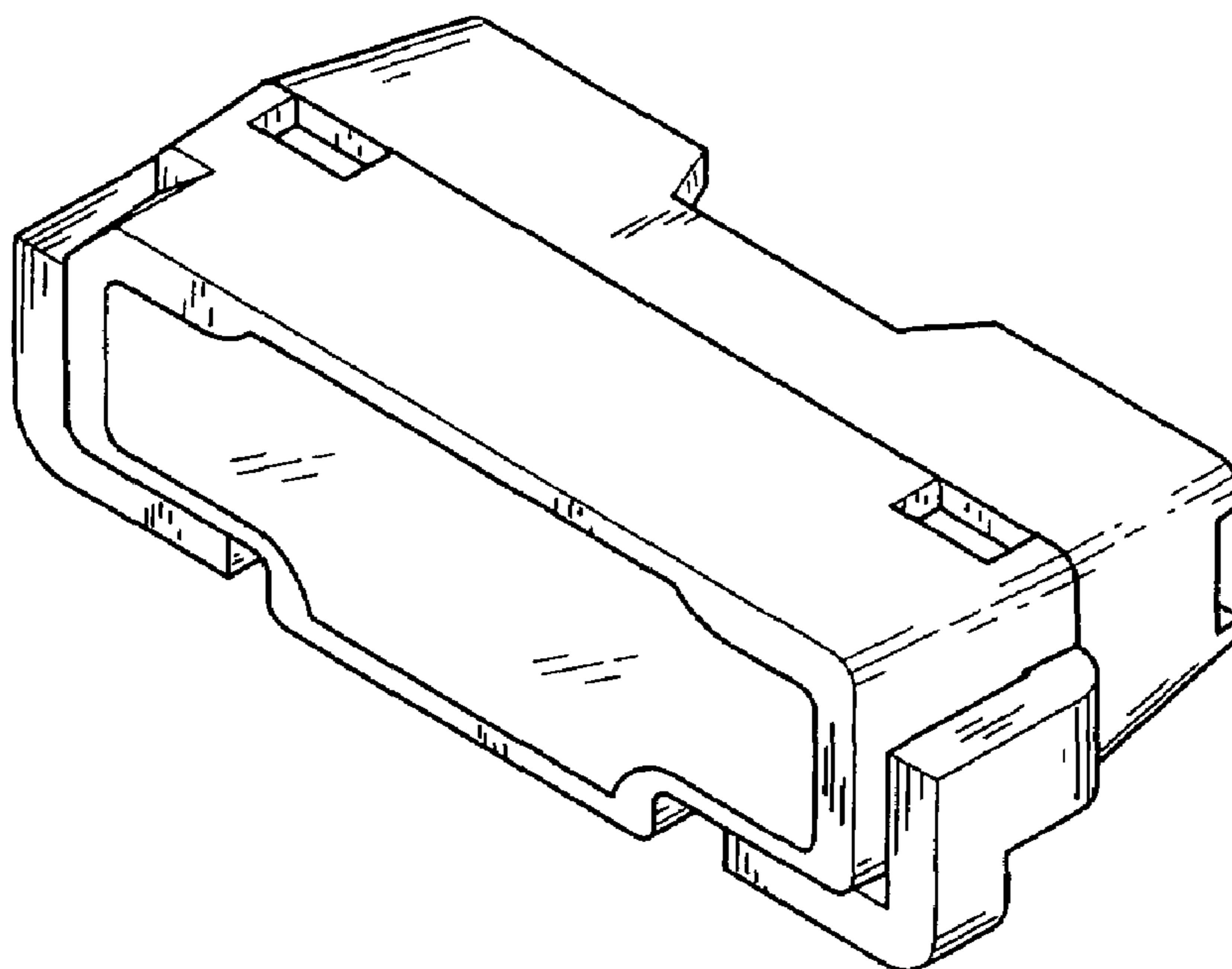
FIG. 4 is the left side view thereof

FIG. 5 is the right side view thereof

FIG. 6 is the top plan view thereof; and,

FIG. 7 is the bottom view thereof.

1 Claim, 2 Drawing Sheets



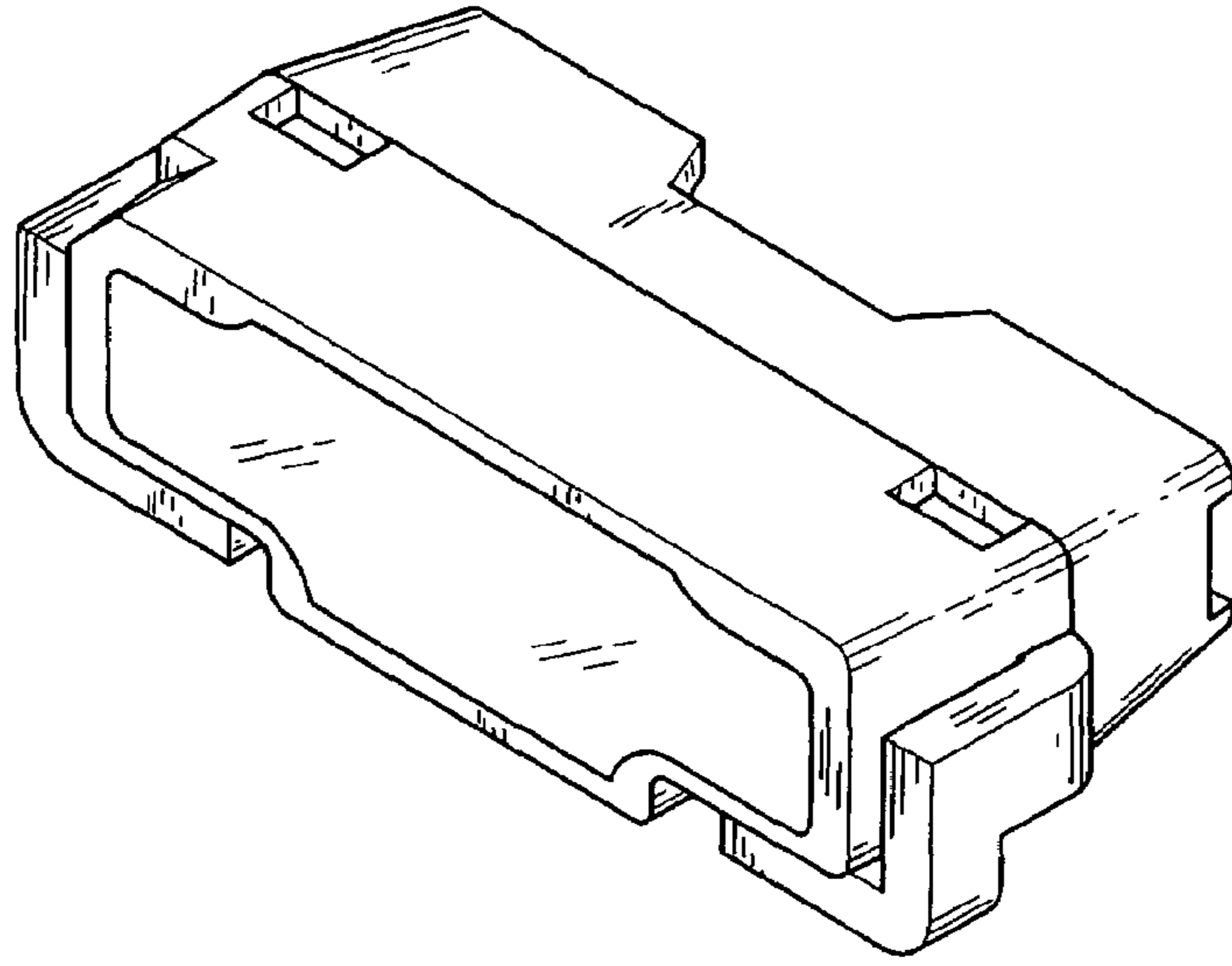


FIG. 1

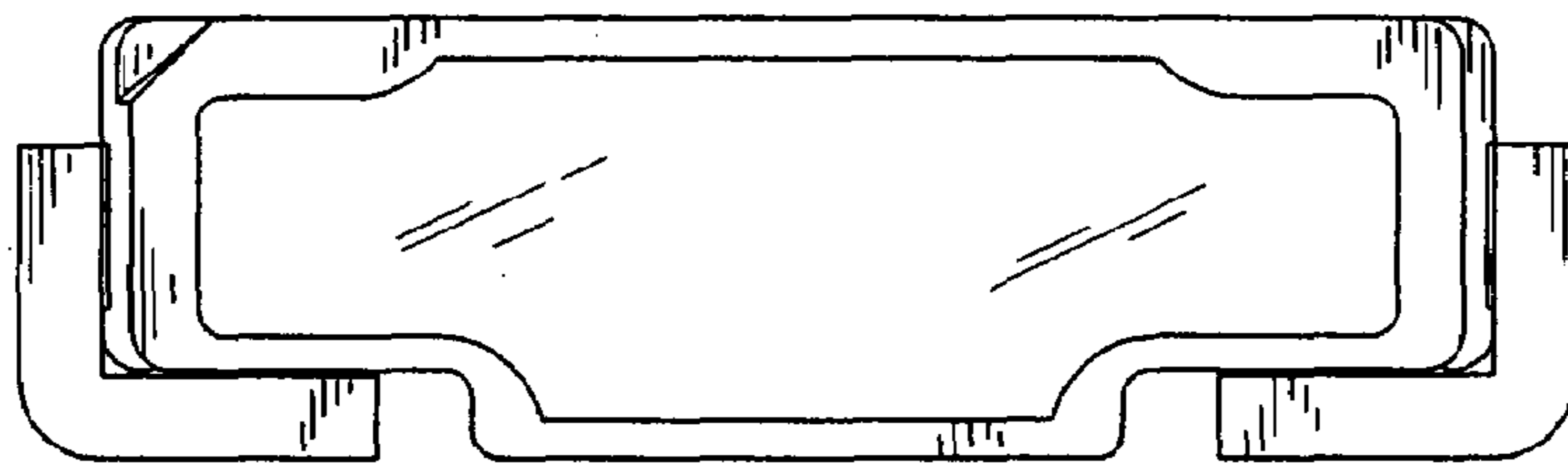


FIG. 2

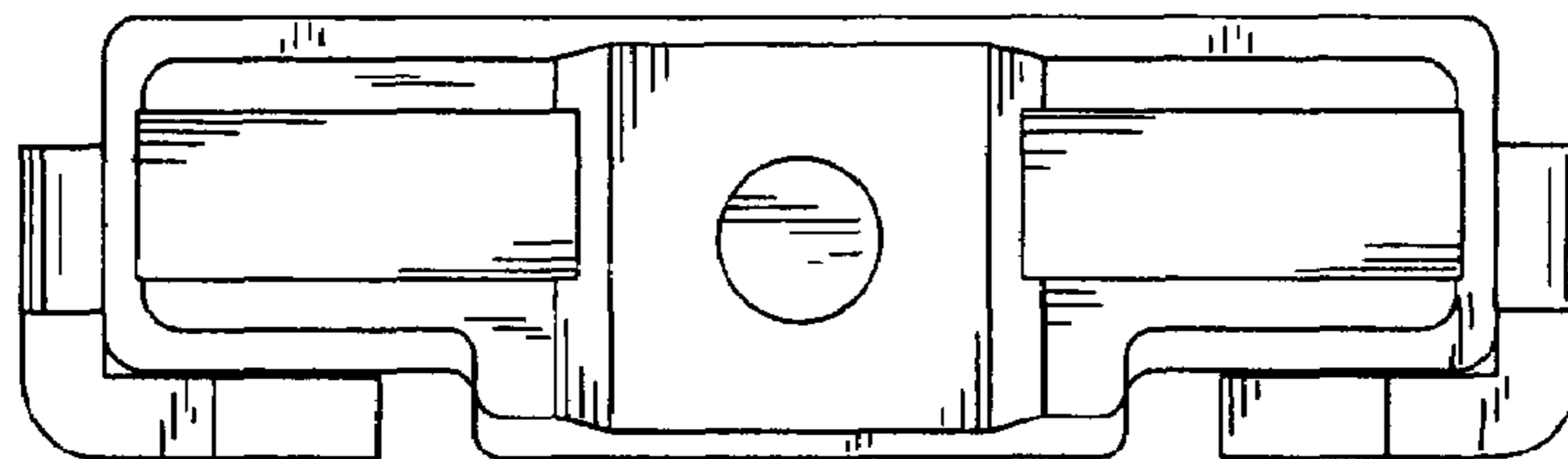


FIG. 3

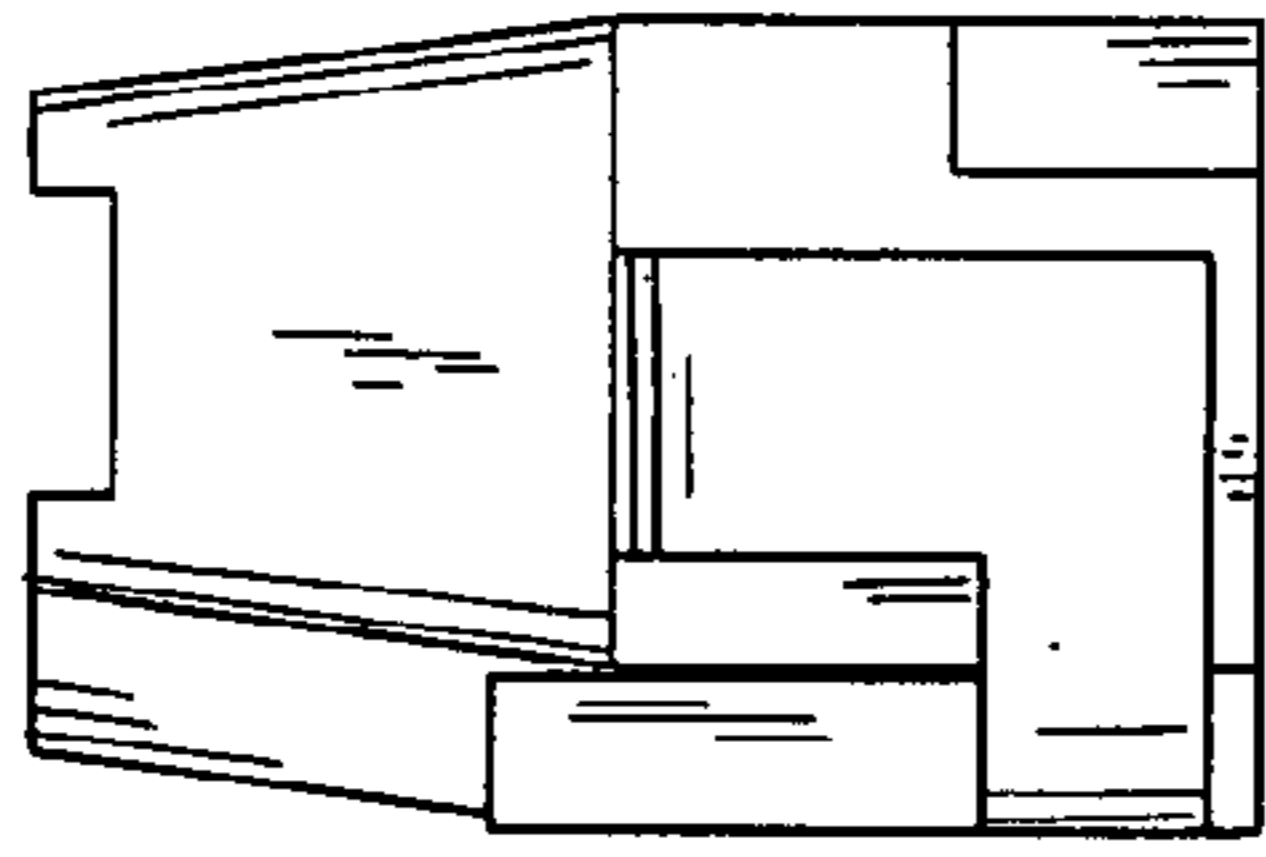


FIG. 4

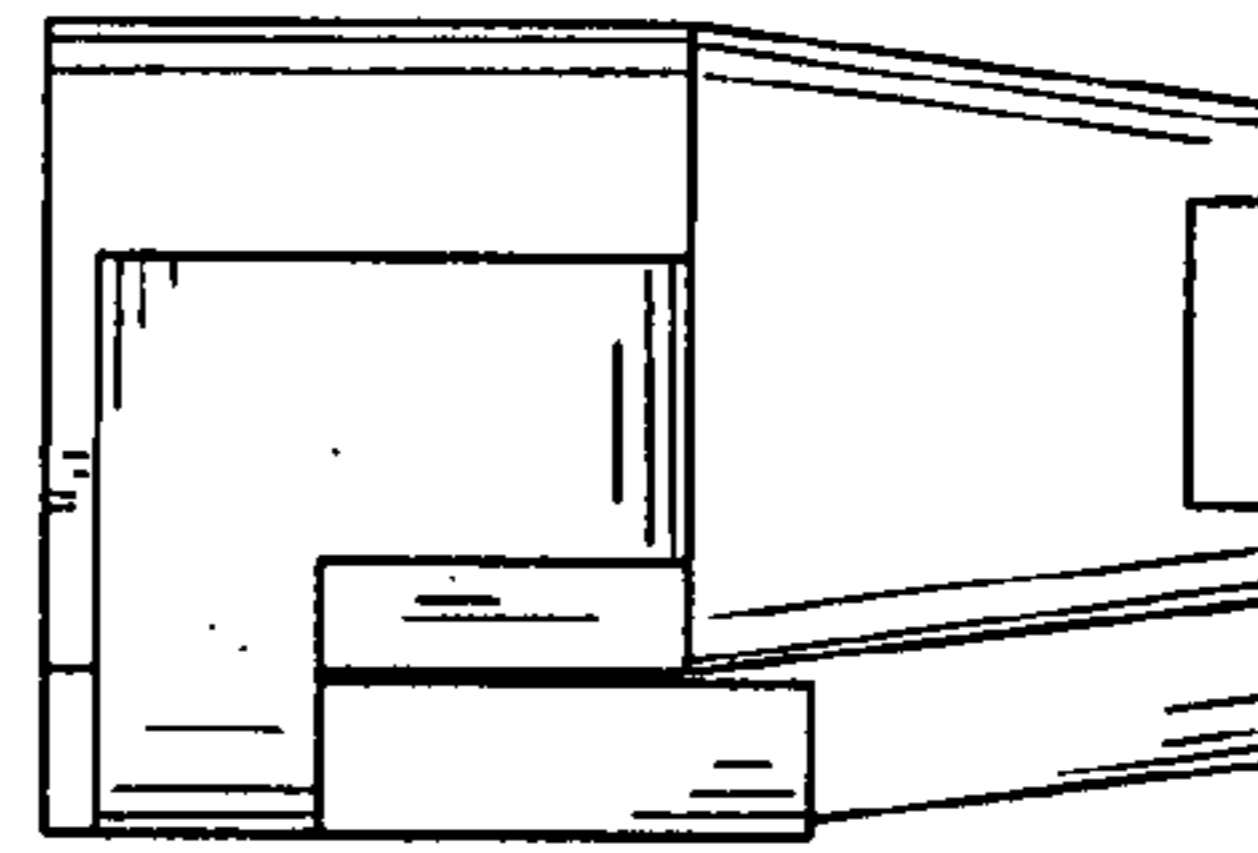


FIG. 5

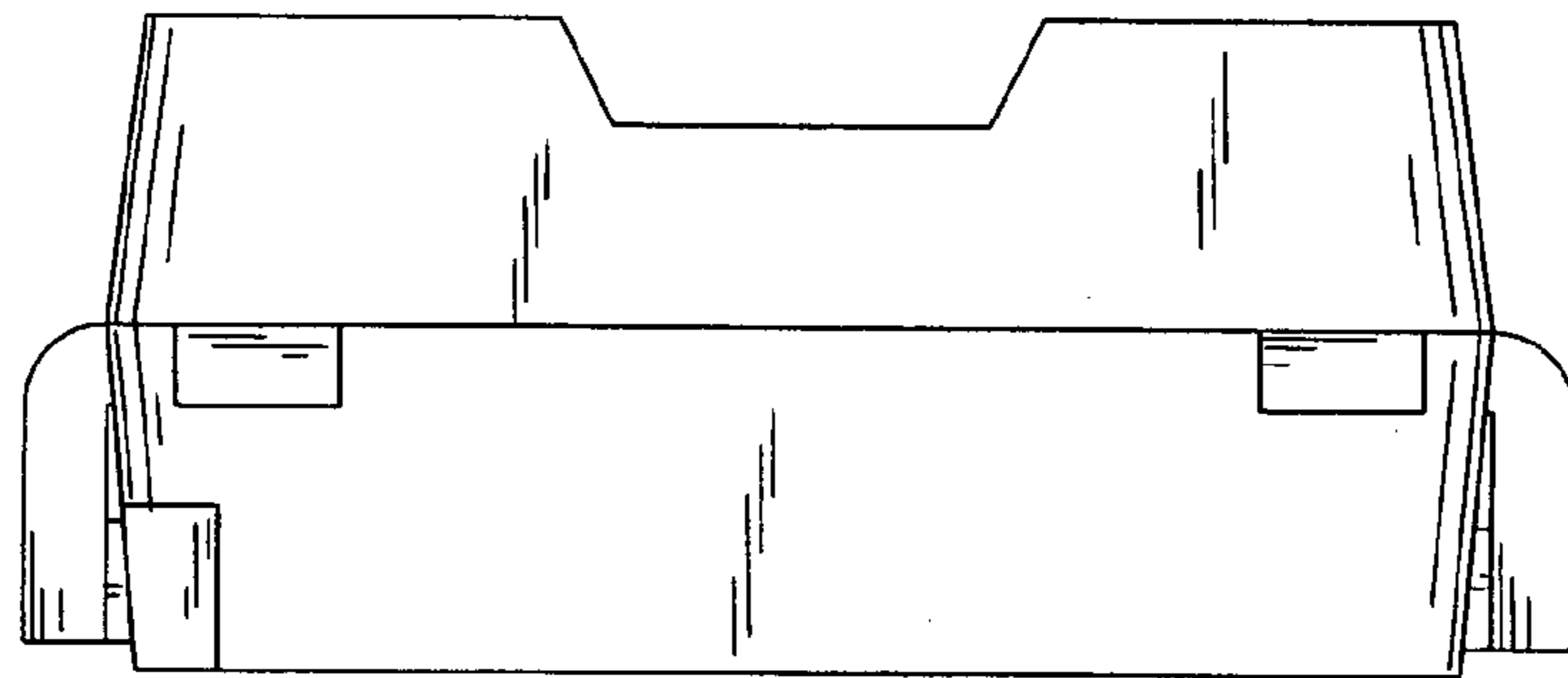


FIG. 6

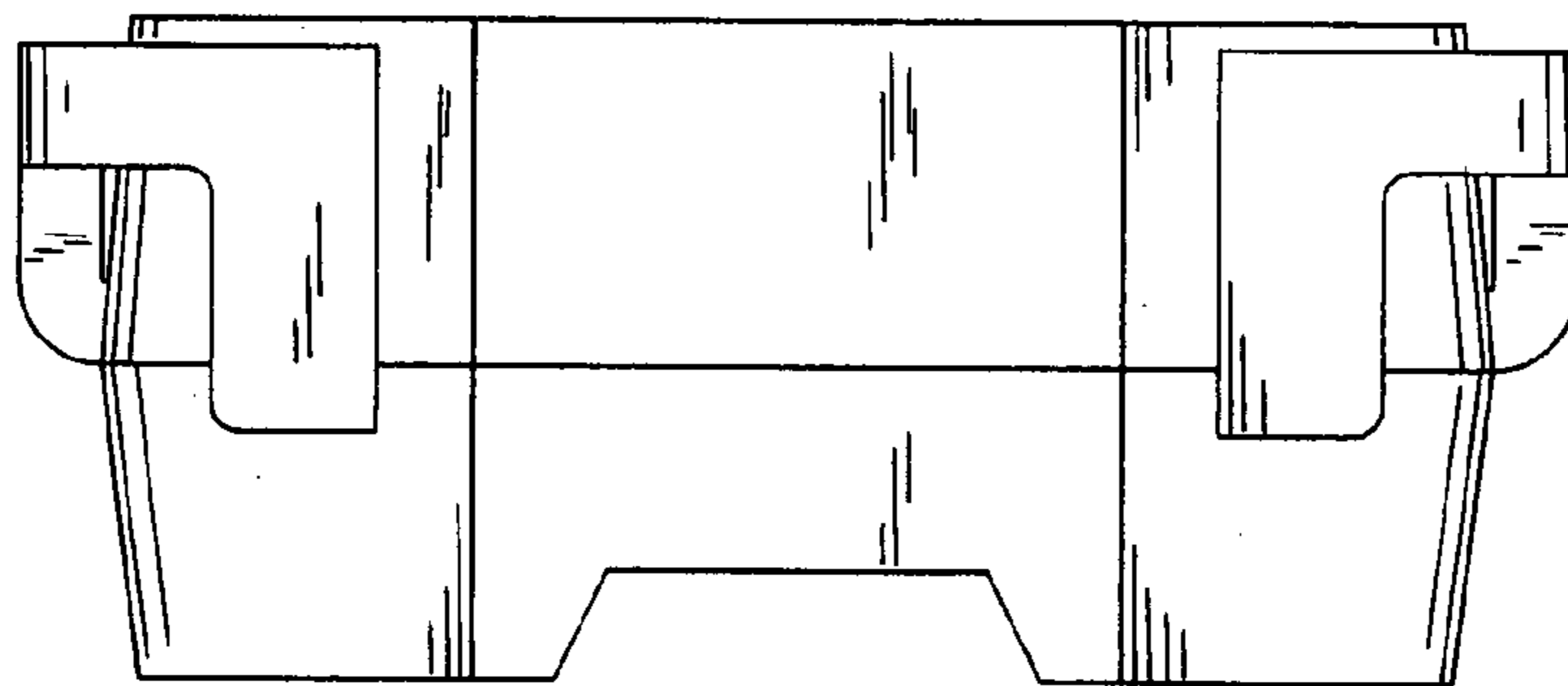


FIG. 7