



US00D558151S

(12) **United States Design Patent** (10) **Patent No.:** **US D558,151 S**
Spira (45) **Date of Patent:** **** Dec. 25, 2007**

(54) **DIMMER SWITCH**

(75) Inventor: **Joel S. Spira**, Coopersburg, PA (US)

(73) Assignee: **Lutron Electronics Co., Inc.**,
Coopersburg, PA (US)

(**) Term: **14 Years**

(21) Appl. No.: **29/254,338**

(22) Filed: **Feb. 22, 2006**

(51) **LOC (8) Cl.** **13-03**

(52) **U.S. Cl.** **D13/162; D13/170**

(58) **Field of Classification Search** D13/162,
D13/170, 171; 174/66; 200/5 R, 520, 530,
200/531, 536, 547, 550, 252, 293, 296, 315,
200/333, 314, 335, 329, 341; 338/176; 307/125,
307/139; 315/291-296

See application file for complete search history.

(56) **References Cited**

U.S. PATENT DOCUMENTS

D241,853 S	*	10/1976	Spira et al.	D13/170
4,835,343 A		5/1989	Graef et al.		
5,191,971 A	*	3/1993	Hakkarainen et al.	200/550
D335,282 S		5/1993	Jurell et al.		
D405,061 S	*	2/1999	Thomas	D13/170
D412,491 S		8/1999	Mayo et al.		
D437,584 S	*	2/2001	Radosavljevic et al.	...	D13/170
D456,783 S		5/2002	Mayo et al.		
D487,429 S	*	3/2004	Bennett et al.	D13/164
D533,843 S	*	12/2006	Larson et al.	D13/162
D533,844 S	*	12/2006	Larson et al.	D13/162
2006/0255662 A1	*	11/2006	Abel	307/157

OTHER PUBLICATIONS

Lutron Electronics, Residential Lighting Controls Catalog, Jun. 2004, pp. 70-71.

Lutron Electronics, Lyneo Slide Dimmer Specification Submittal Sheet, Jan. 2006, pp. 1-6.

Lutron Electronics, Lyneo Installation Sheet, Jan. 2006, pp. 1-2.

* cited by examiner

Primary Examiner—Selina Sikder

(74) *Attorney, Agent, or Firm*—Mark E. Rose

(57) **CLAIM**

I claim the ornamental design for a dimmer switch, as shown and described.

DESCRIPTION

FIG. 1 is a perspective view of a dimmer switch according to a first embodiment of my new design.

FIG. 2 is a front view thereof.

FIG. 3 is a left side view thereof.

FIG. 4 is a right side view thereof.

FIG. 5 is a top view thereof.

FIG. 6 is a bottom view thereof.

FIG. 7 is a perspective view of a dimmer switch according to a second embodiment of my new design.

FIG. 8 is a front view thereof.

FIG. 9 is a left side view thereof.

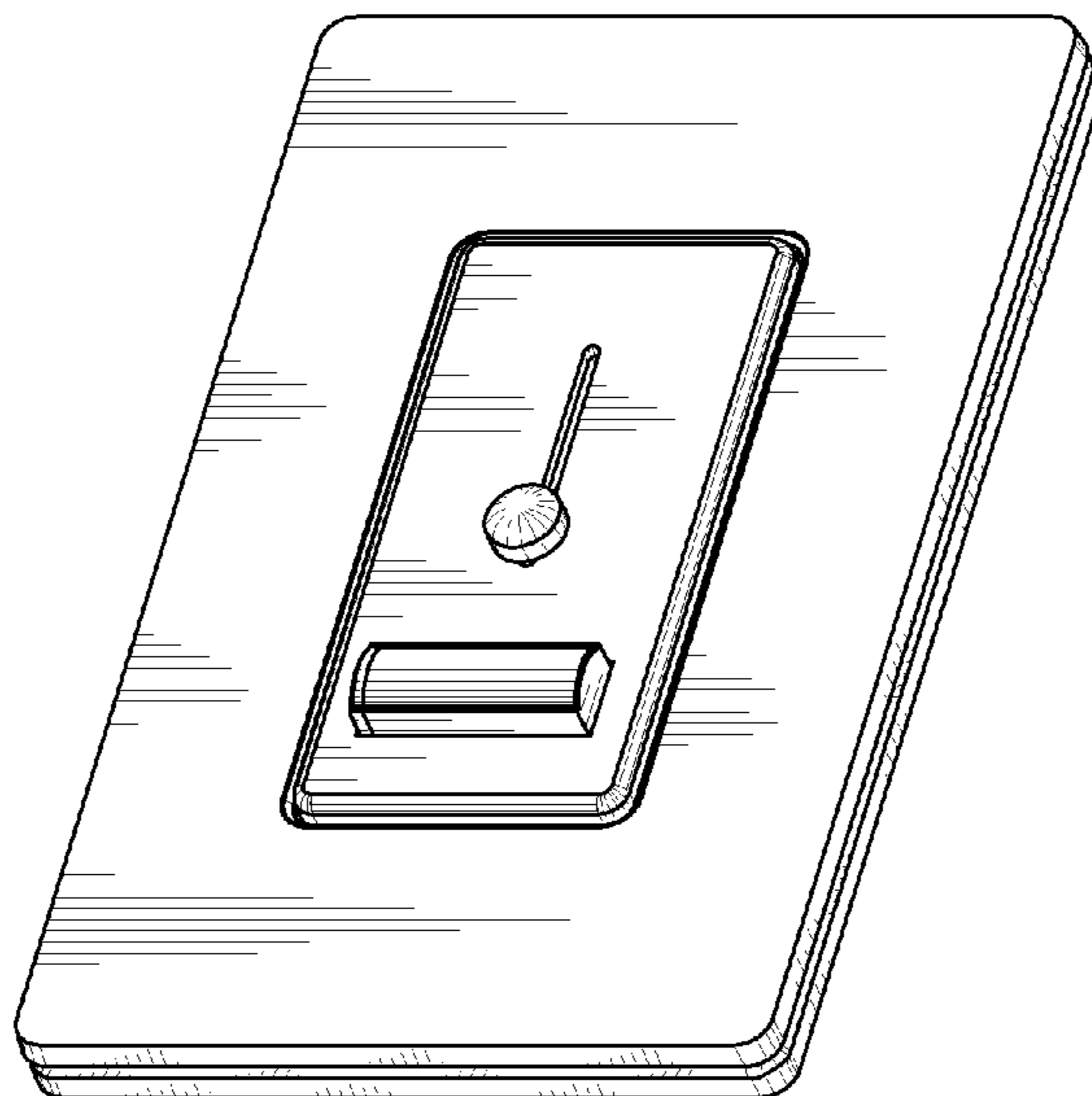
FIG. 10 is a right side view thereof.

FIG. 11 is a top view thereof; and,

FIG. 12 is a bottom view thereof.

The rear views form no part of the design and are omitted. The portions of the drawings appearing in broken line are for environment only and do not form a part of the design.

1 Claim, 8 Drawing Sheets



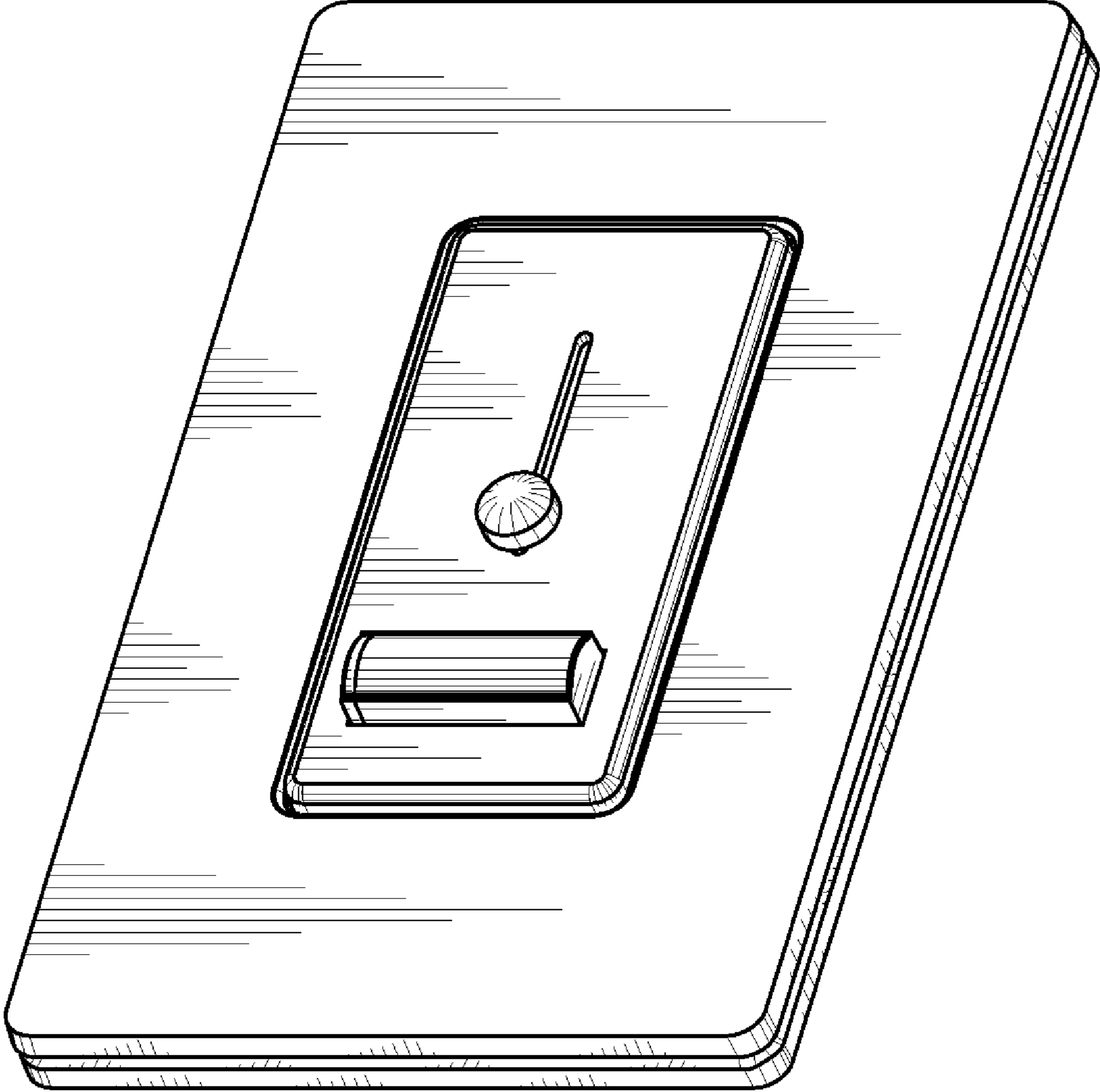


Fig. 1

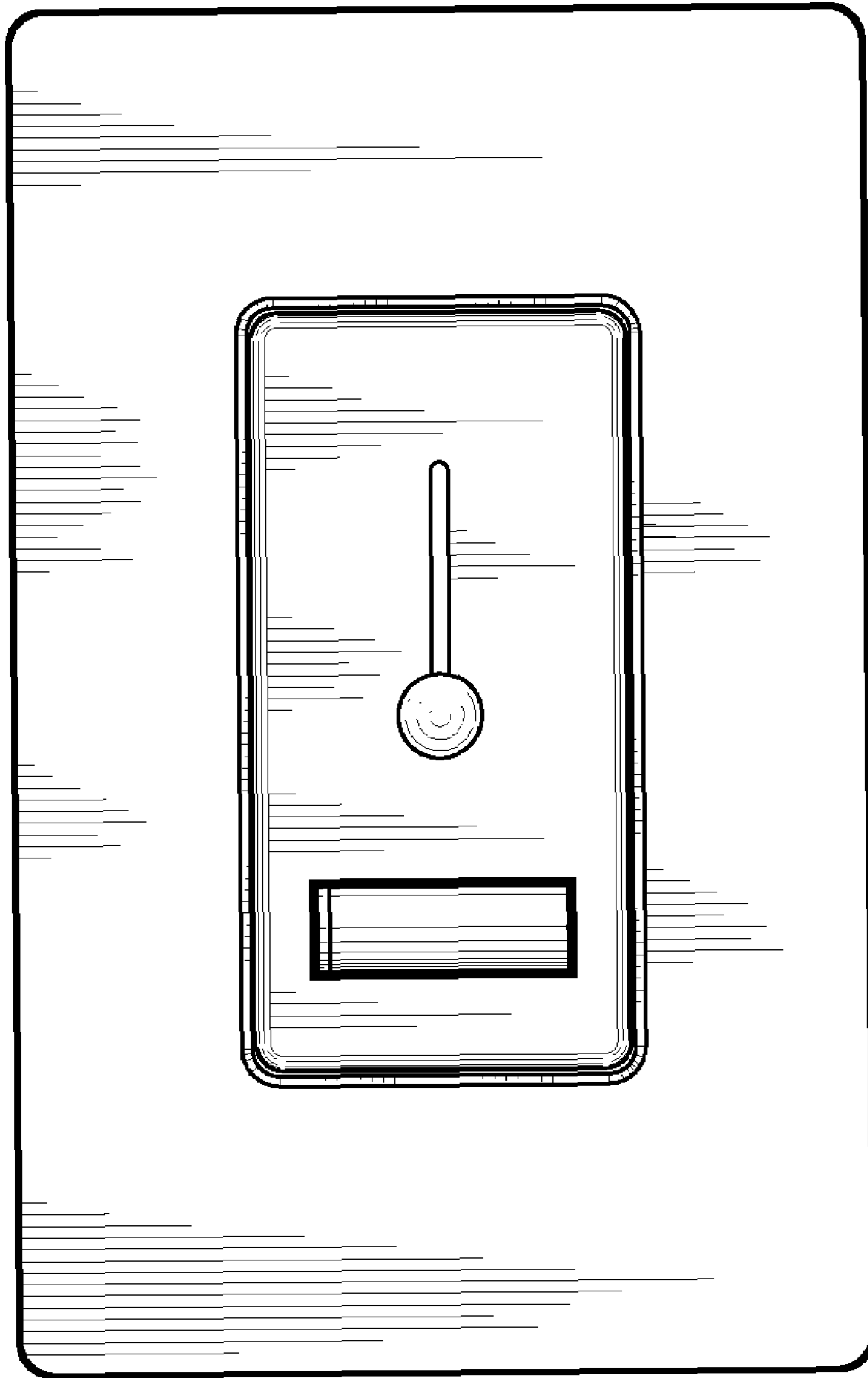


Fig. 2

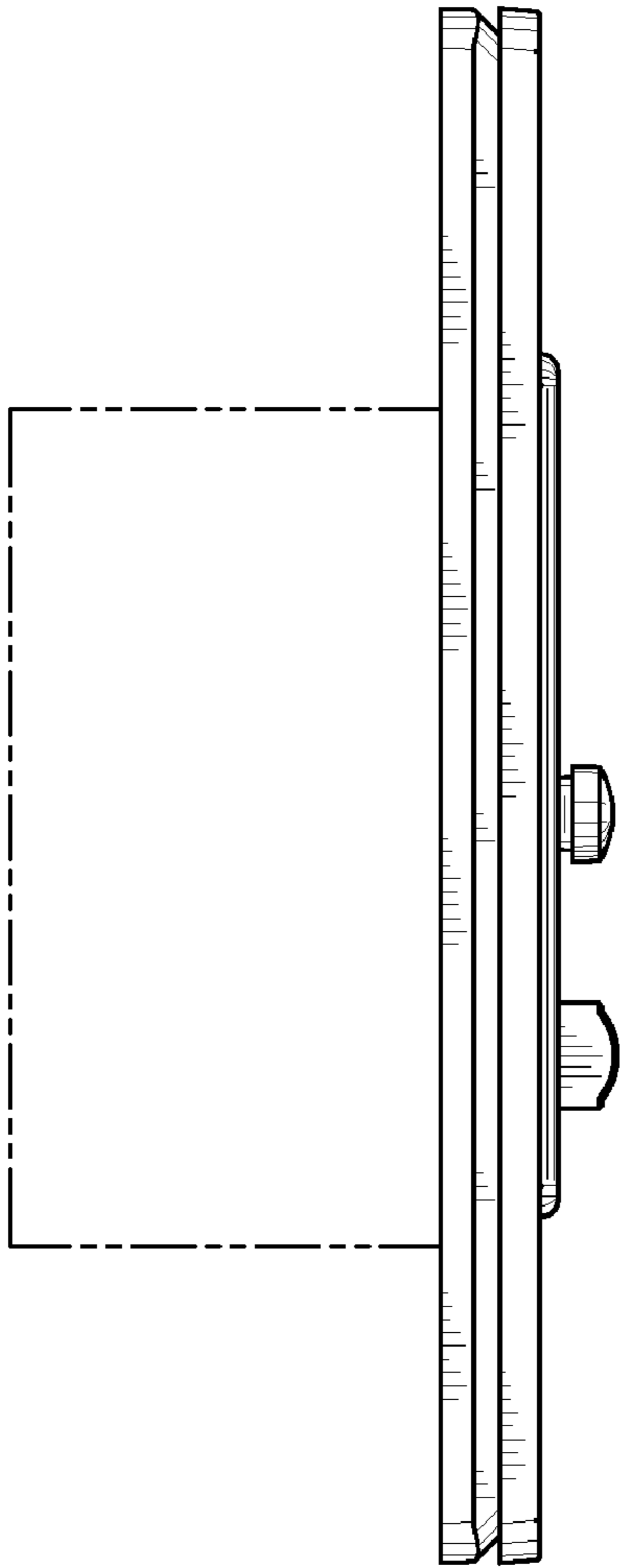


Fig. 3

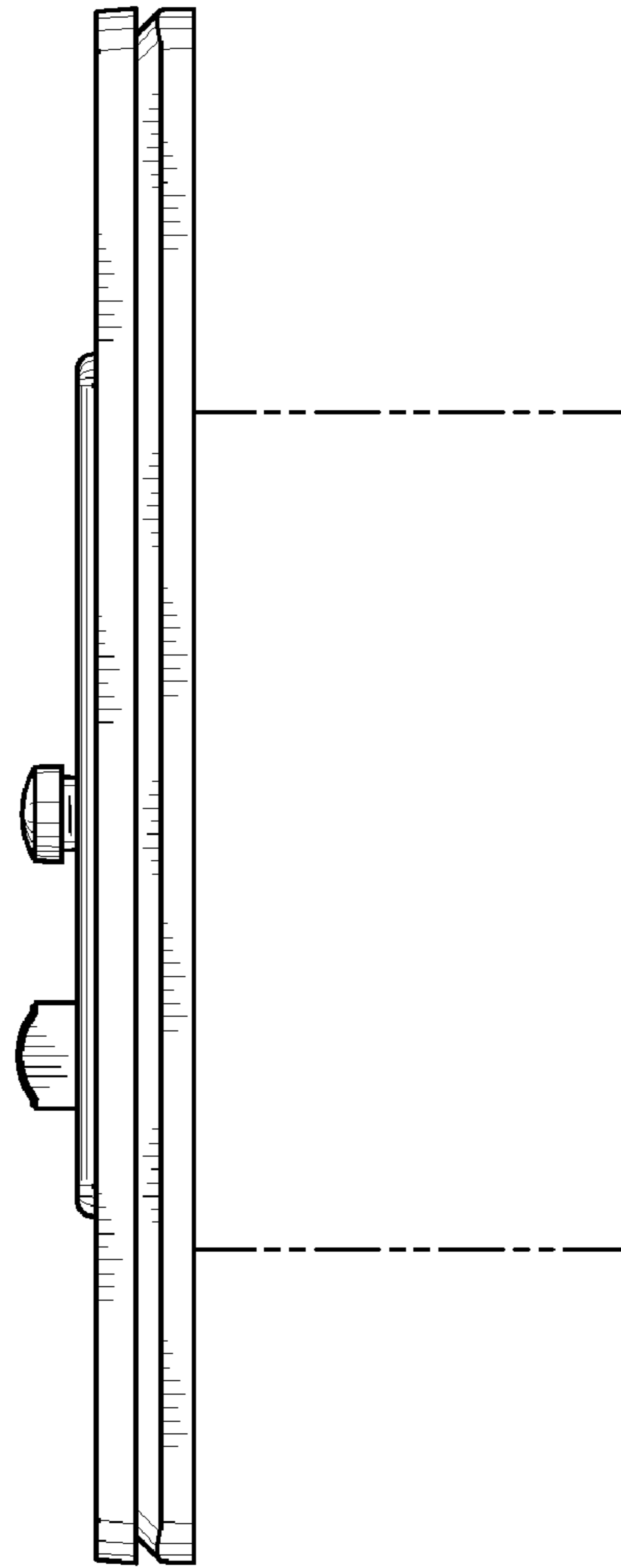


Fig. 4

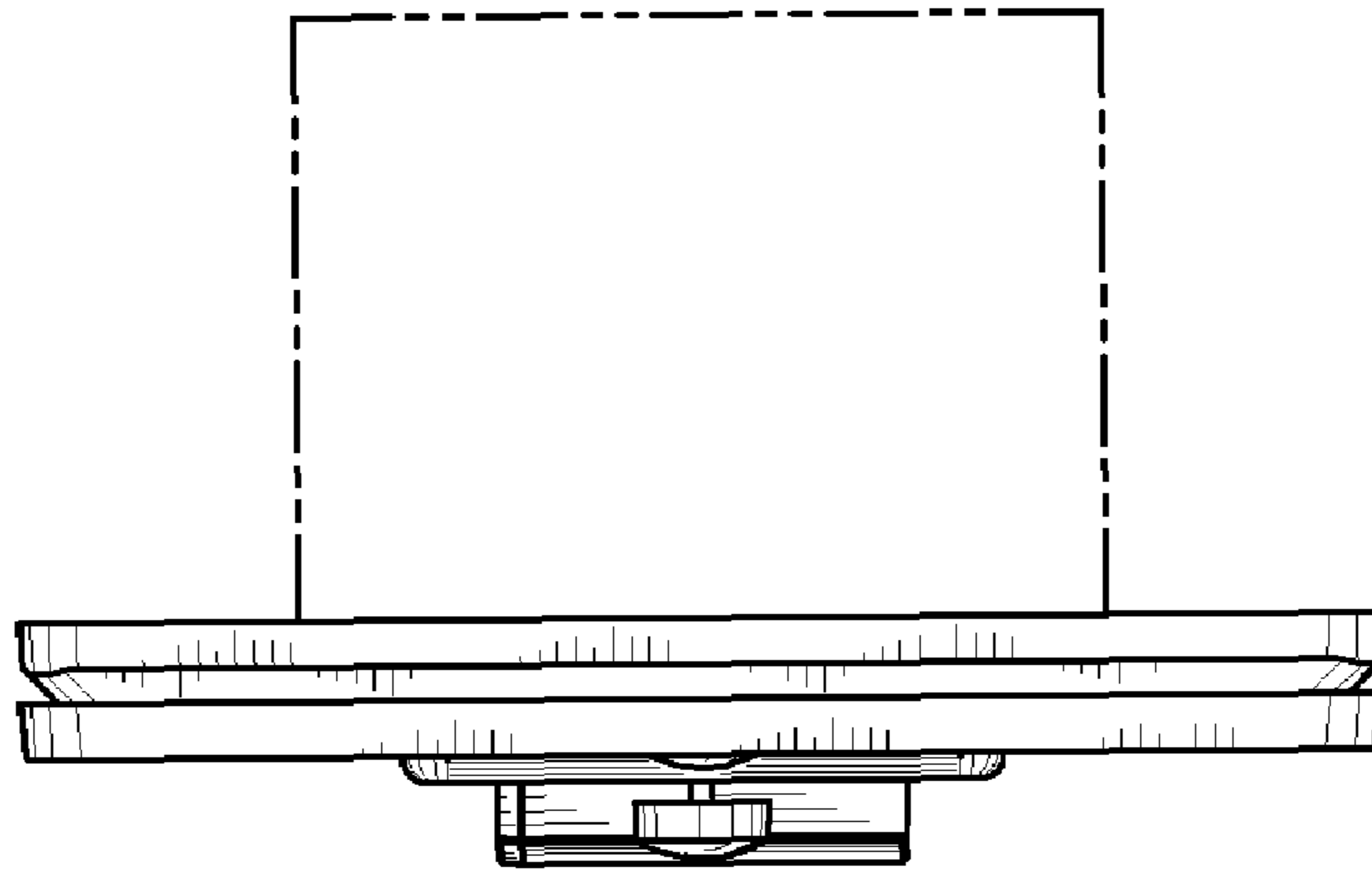


Fig. 5

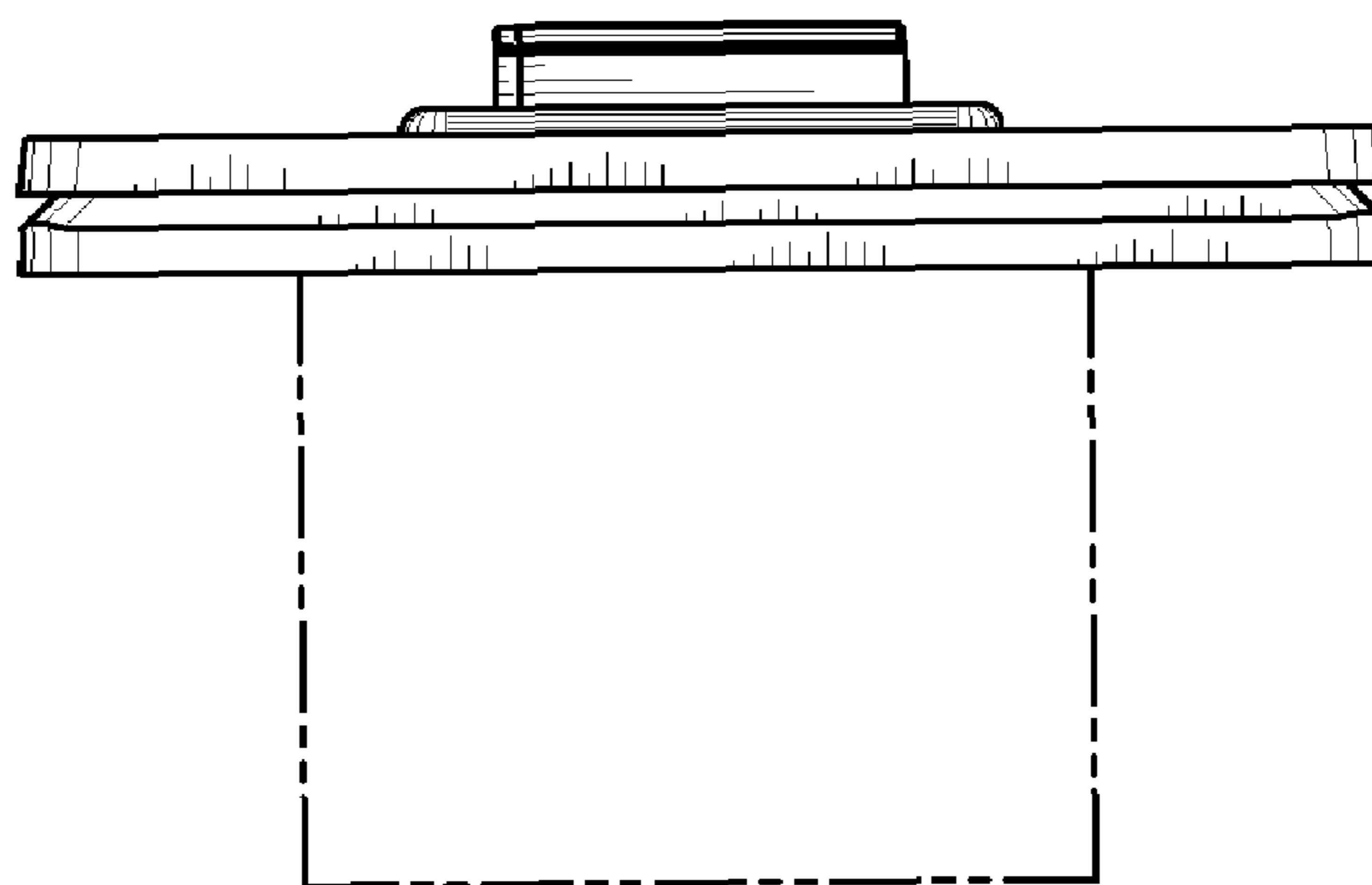


Fig. 6

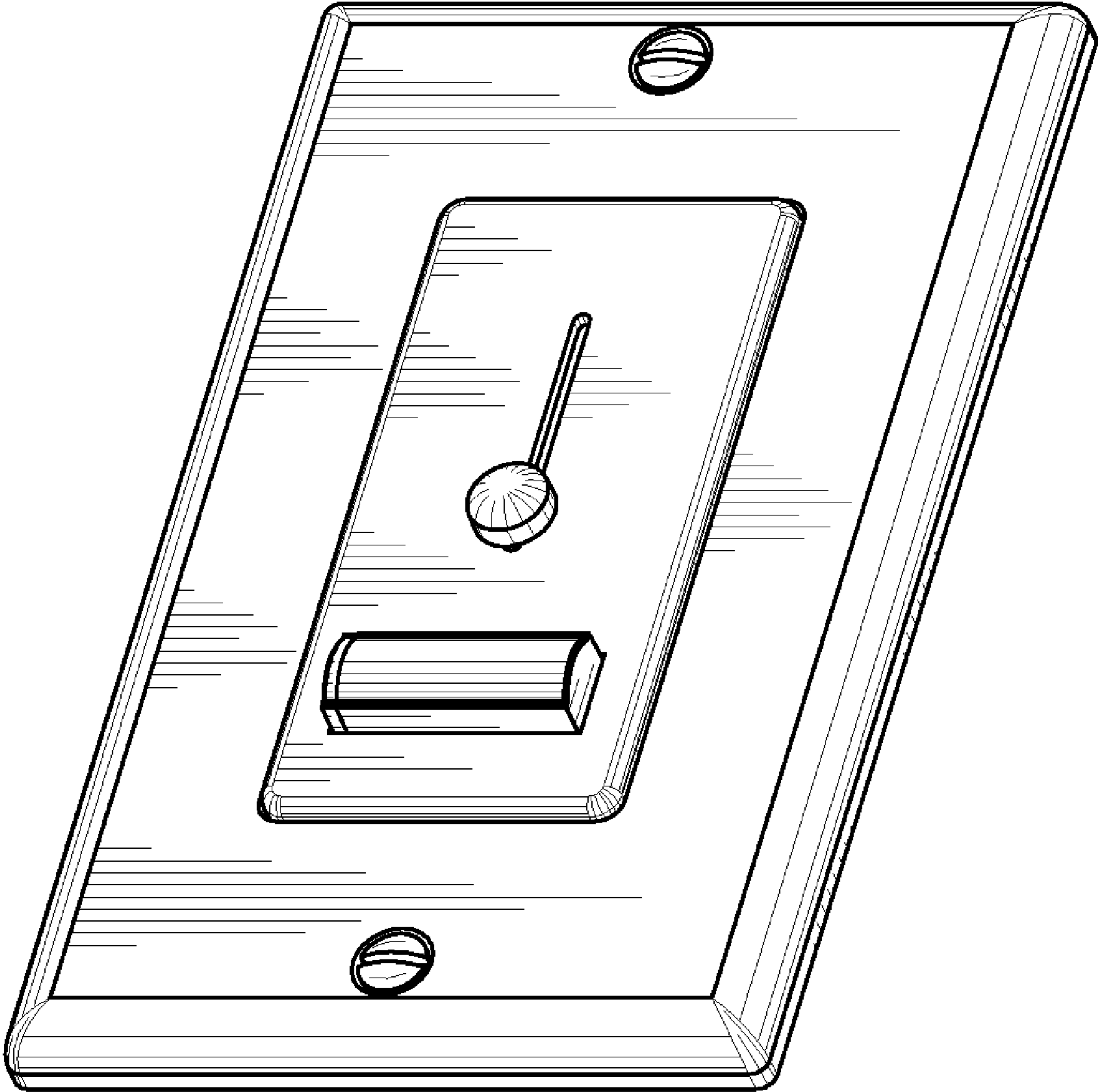


Fig. 7

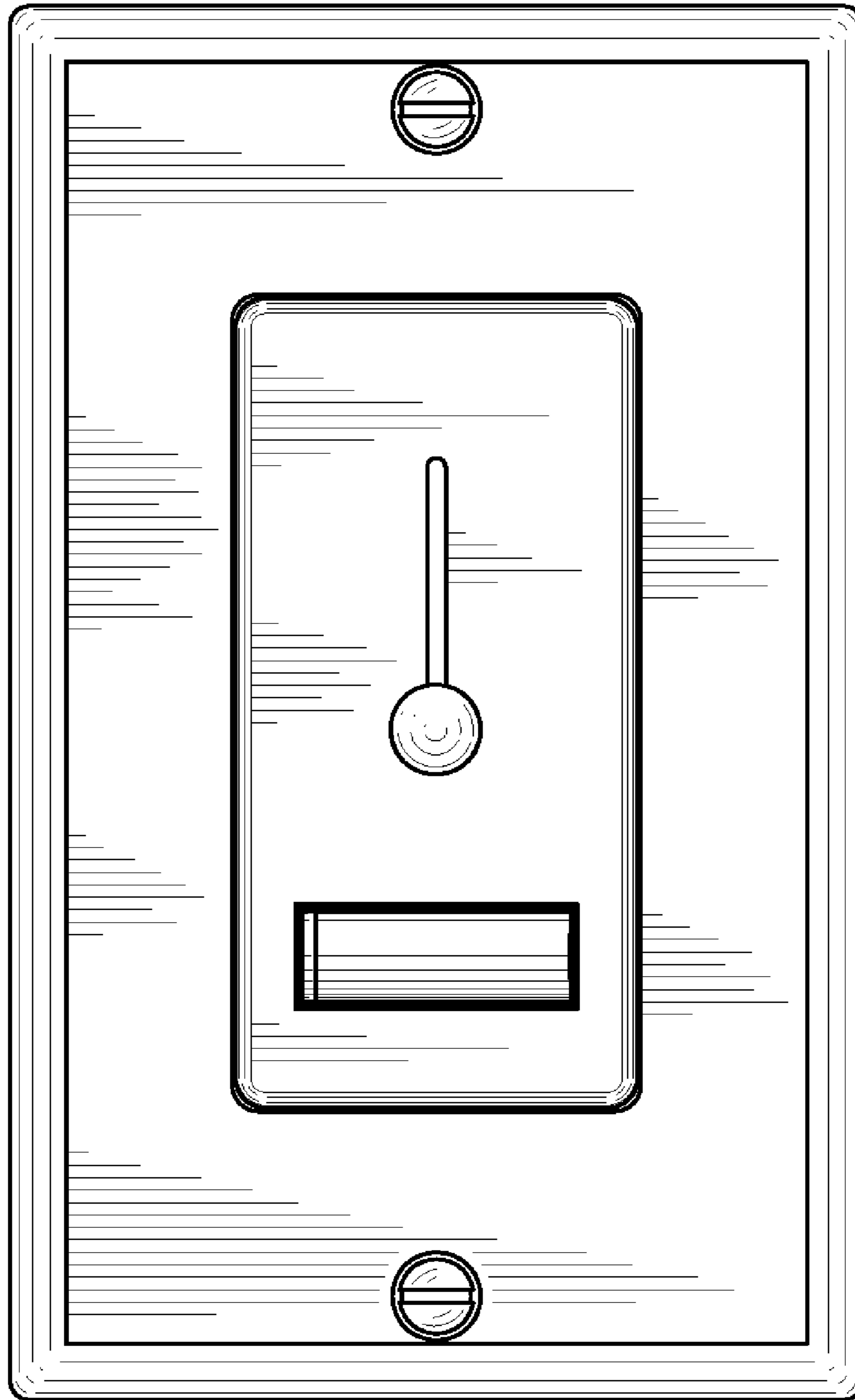


Fig. 8

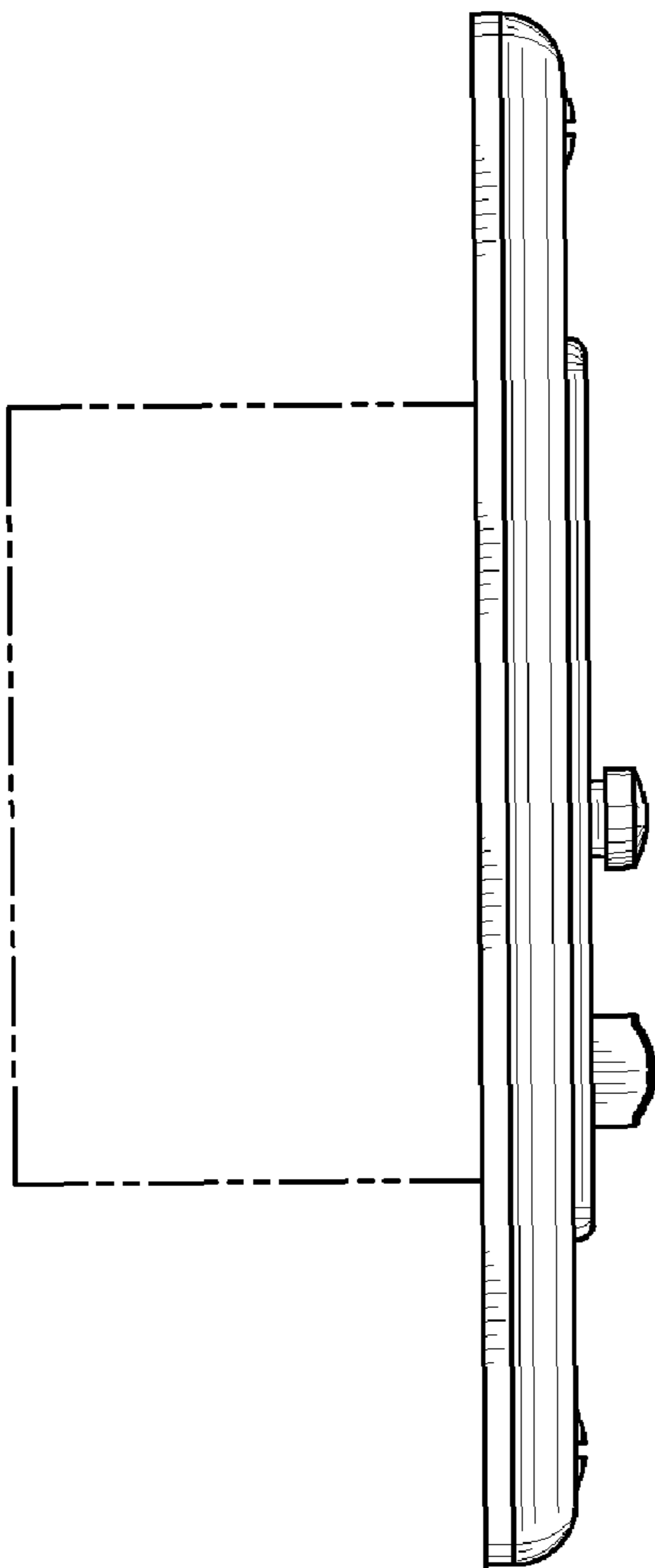


Fig. 9

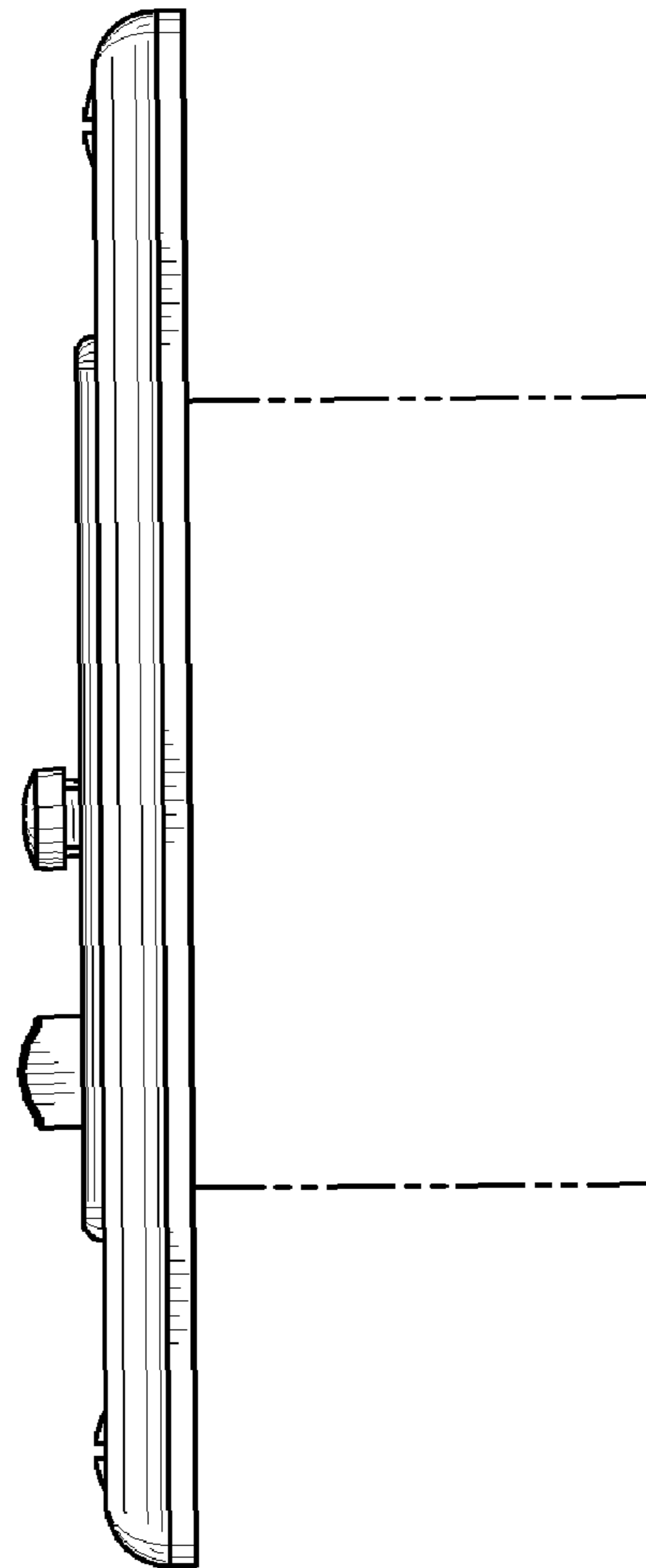


Fig. 10

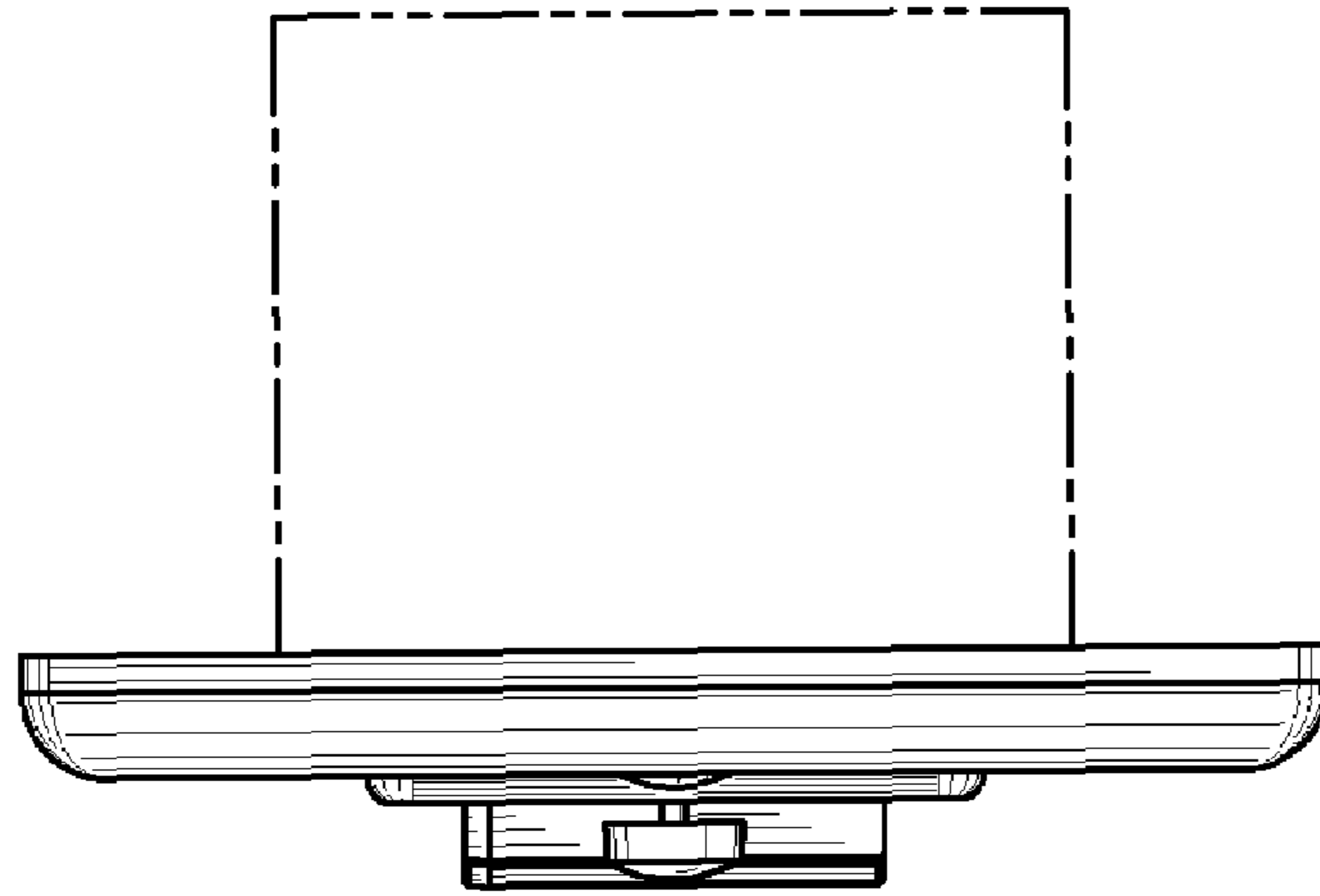


Fig. 11

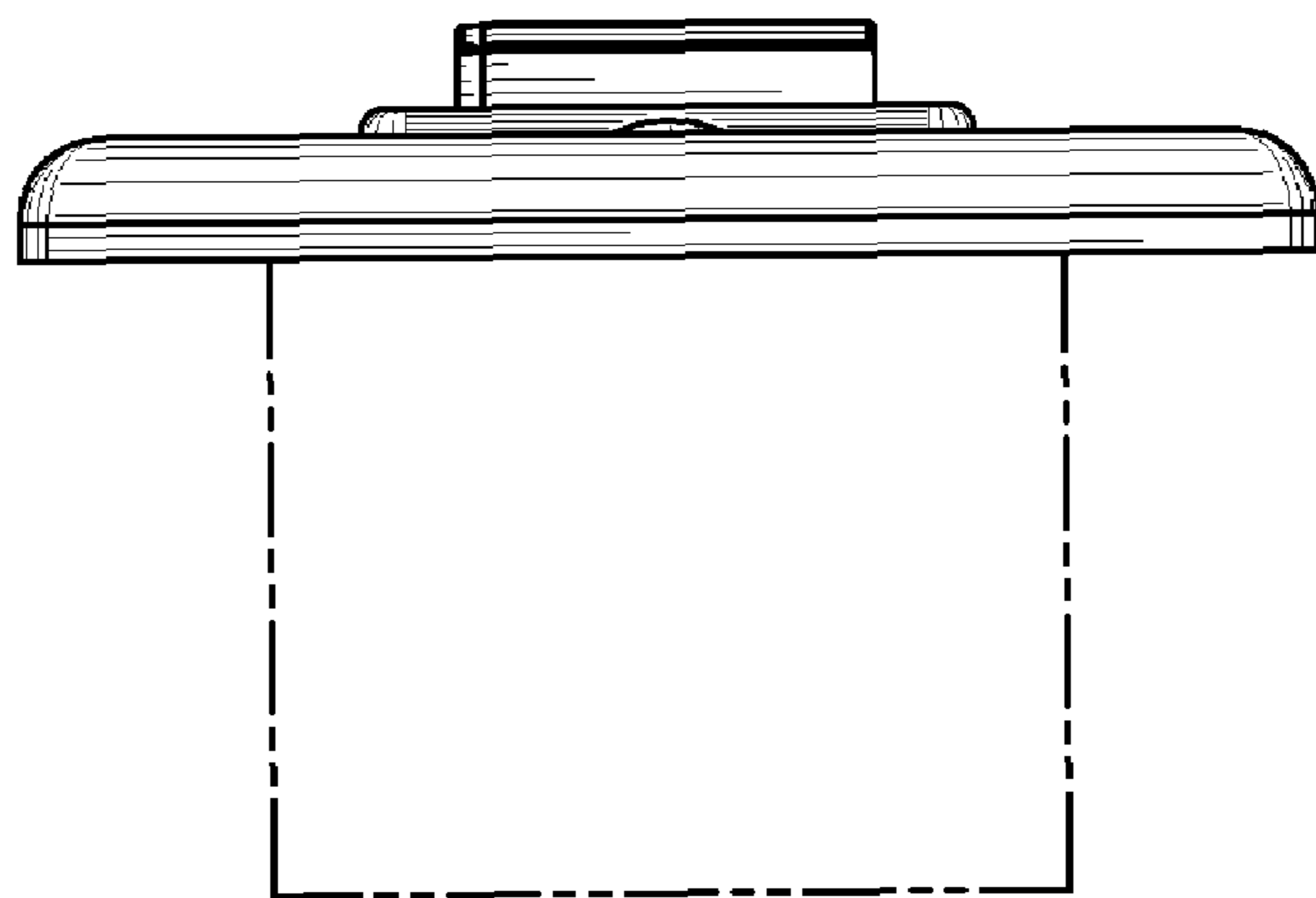


Fig. 12