



US00D558150S

(12) **United States Design Patent**  
**Yang**

(10) **Patent No.:** **US D558,150 S**

(45) **Date of Patent:** **\*\* Dec. 25, 2007**

(54) **SAFE FUSE TERMINAL**

(75) Inventor: **Ming-Lin Yang**, Hsinchu (TW)

(73) Assignee: **Photo-Top Technologies Co., Ltd.**,  
Hsin-Chu (TW)

(\*\*) Term: **14 Years**

(21) Appl. No.: **29/262,026**

(22) Filed: **Jun. 26, 2006**

(51) **LOC (8) Cl.** ..... **13-03**

(52) **U.S. Cl.** ..... **D13/161; D13/178**

(58) **Field of Classification Search** ..... D13/158-184;  
439/687; 337/163, 198, 206, 230, 264, 265  
See application file for complete search history.

(56) **References Cited**

U.S. PATENT DOCUMENTS

4,164,726	A *	8/1979	Weibe	.....	337/215
4,224,592	A *	9/1980	Urani et al.	.....	337/198
4,391,485	A *	7/1983	Urani	.....	439/687
4,604,602	A *	8/1986	Borzoni	.....	337/264
4,635,023	A *	1/1987	Oh	.....	337/163
5,418,515	A *	5/1995	Reyes	.....	337/206
5,598,138	A *	1/1997	Jaronczyk, Jr.	.....	337/265
D407,692	S *	4/1999	Lin	.....	D13/161

D427,976	S *	7/2000	Douglass et al.	.....	D13/160
6,157,287	A *	12/2000	Douglass et al.	.....	337/198
6,781,503	B1 *	8/2004	Kubota	.....	337/230
D538,235	S *	3/2007	Fabrizi	.....	D13/158

\* cited by examiner

*Primary Examiner*—Selina Sikder

*Assistant Examiner*—Thomas J Johannes

(74) *Attorney, Agent, or Firm*—Dykema Gossett PLLC

(57) **CLAIM**

The ornamental design for a safe fuse terminal, as shown and described.

**DESCRIPTION**

FIG. 1 is a perspective view of a safe fuse terminal, showing my new design;

FIG. 2 is a front elevation thereof;

FIG. 3 is a rear elevation thereof;

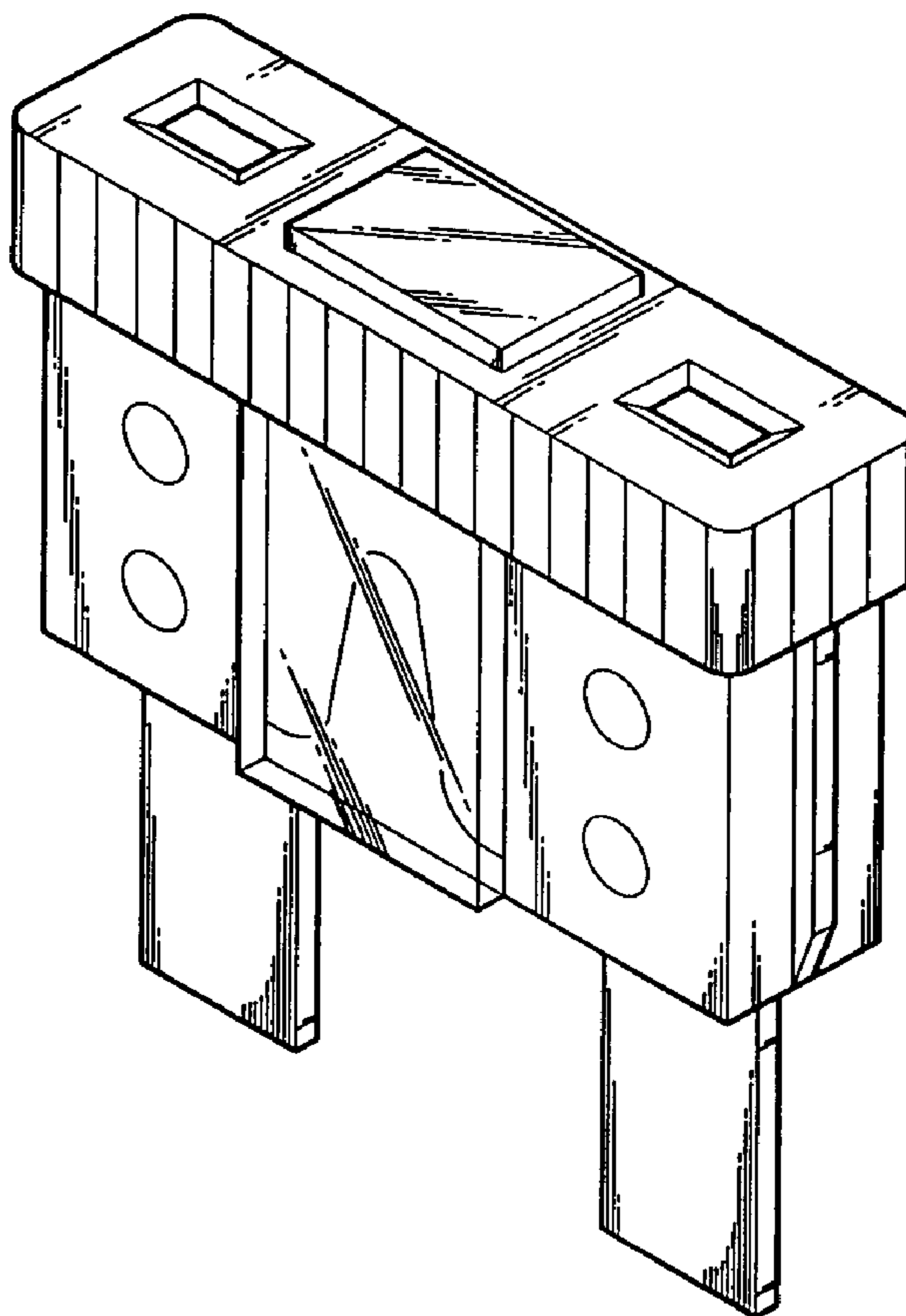
FIG. 4 is a left side elevation thereof;

FIG. 5 is a right side elevation thereof;

FIG. 6 is a top plan view thereof; and,

FIG. 7 is bottom view thereof.

**1 Claim, 4 Drawing Sheets**



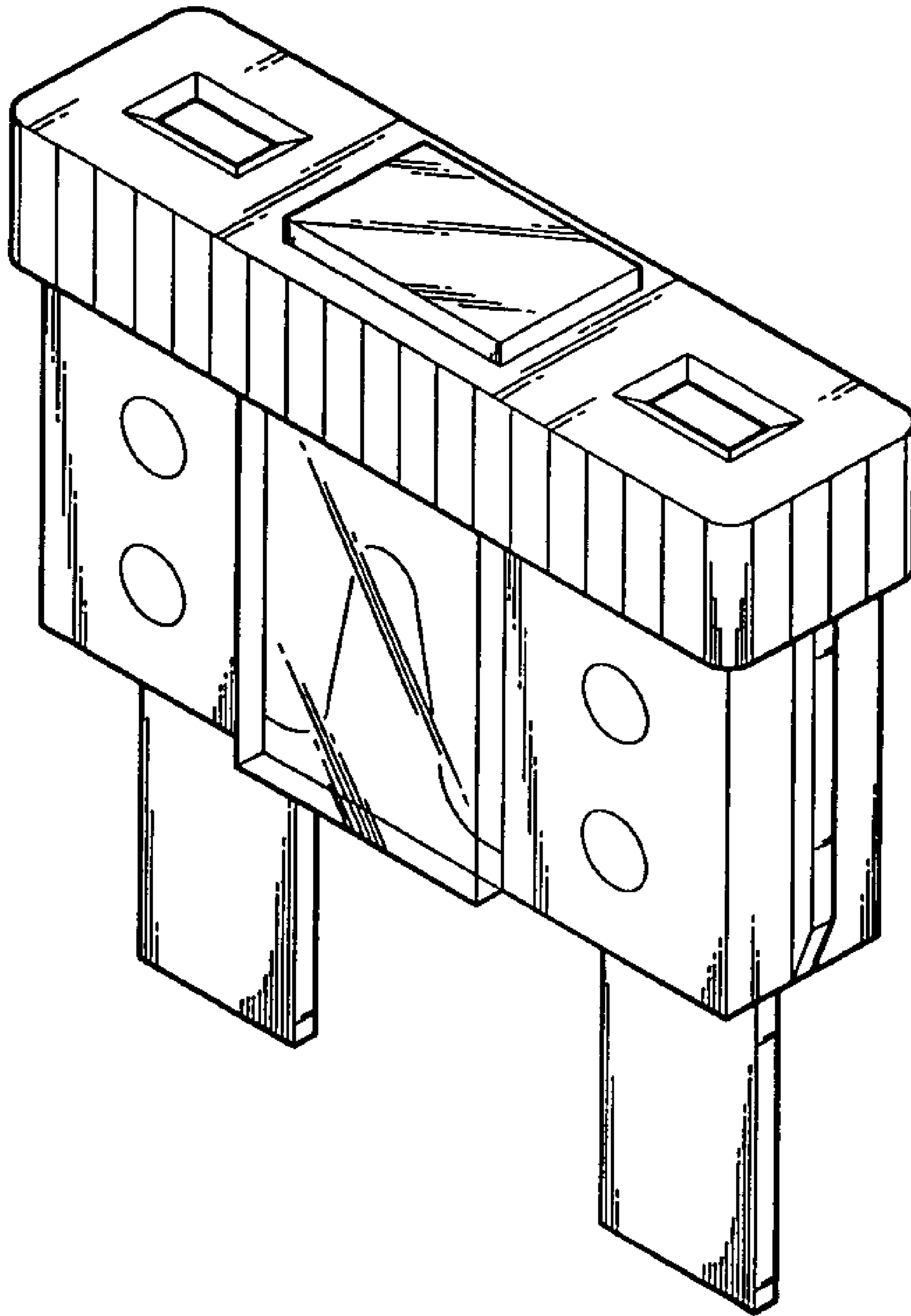


Fig. 1

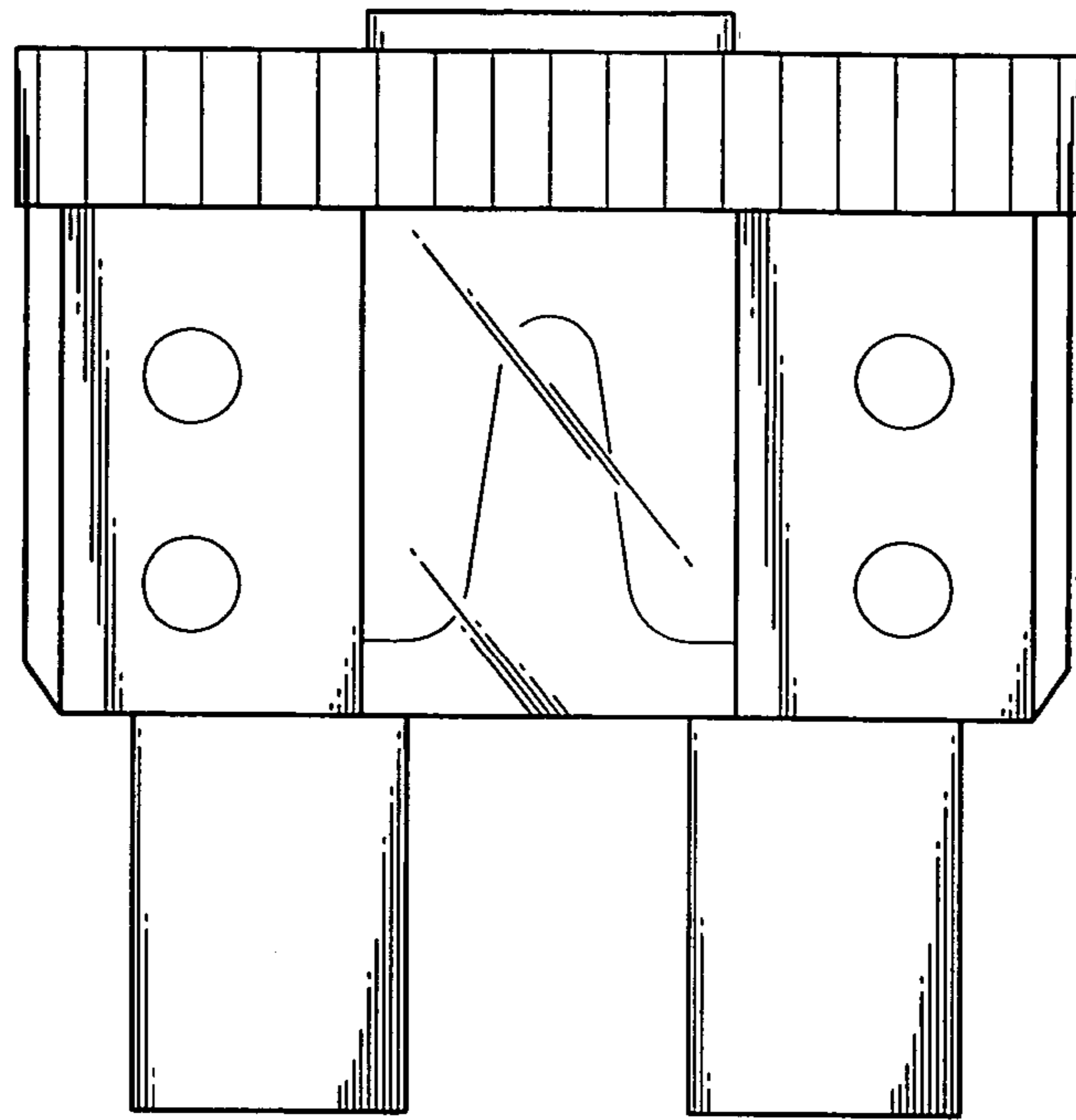


Fig. 2

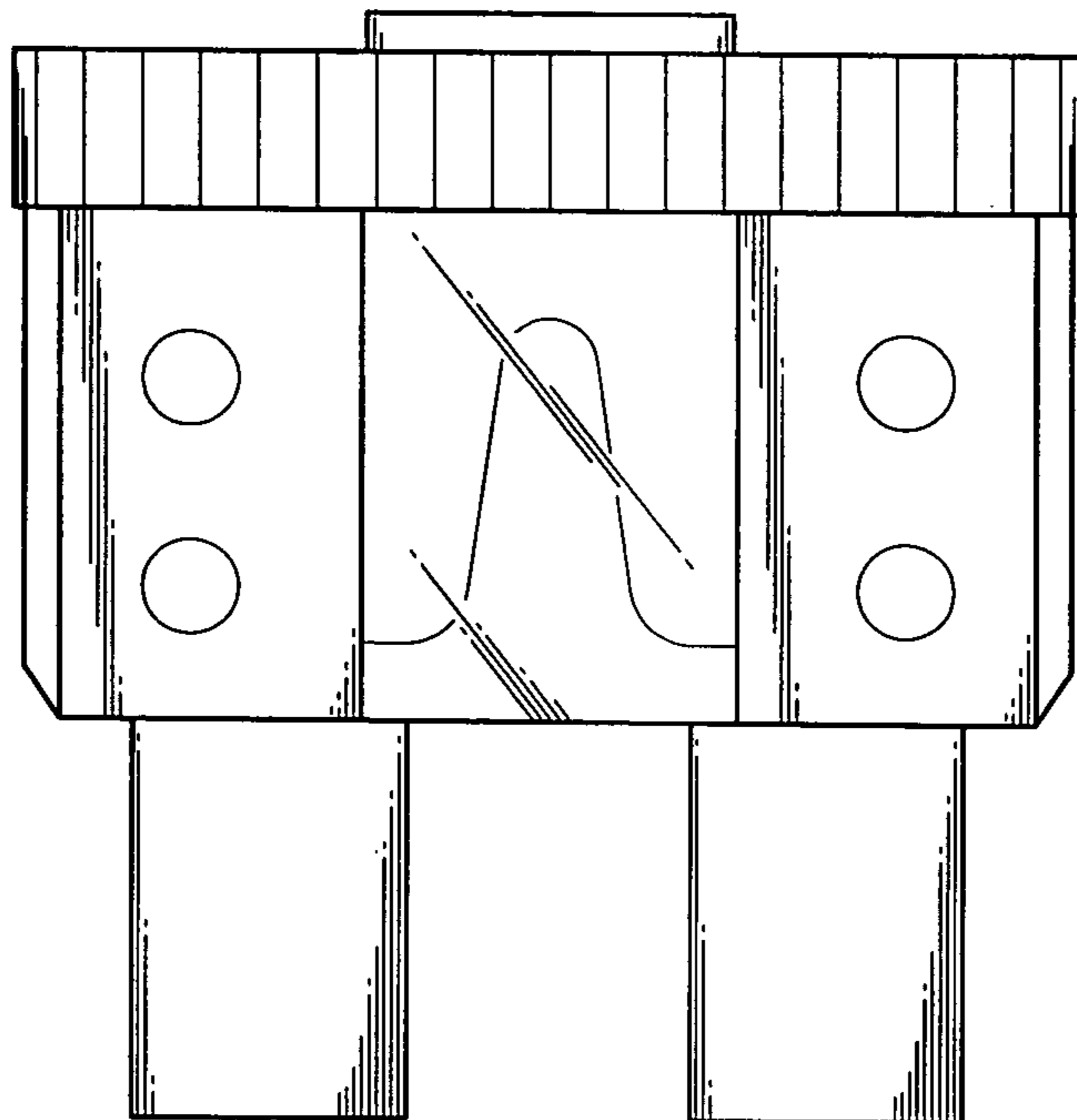


Fig. 3

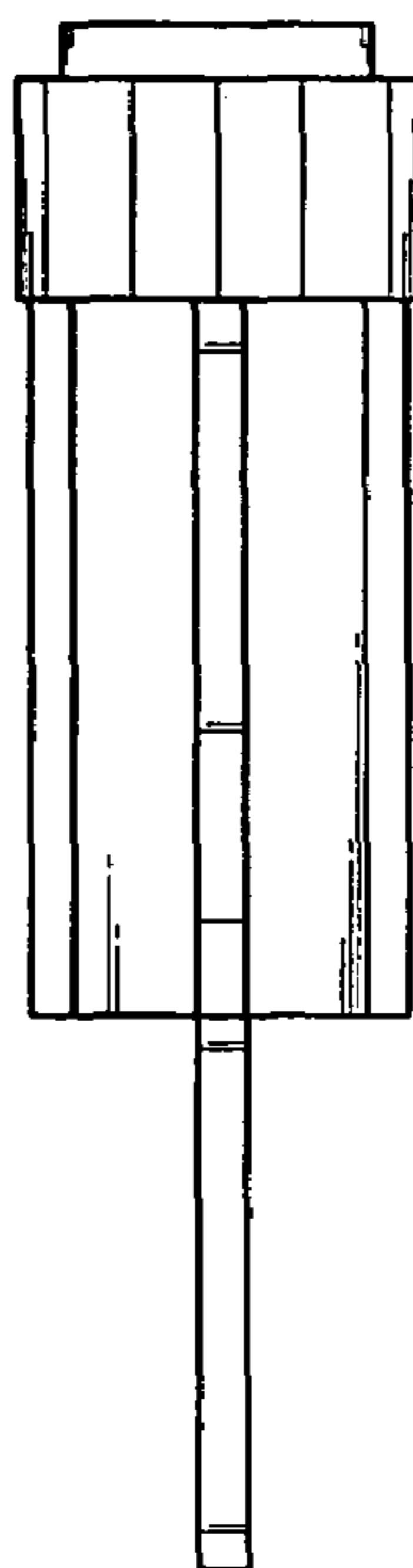


Fig. 4

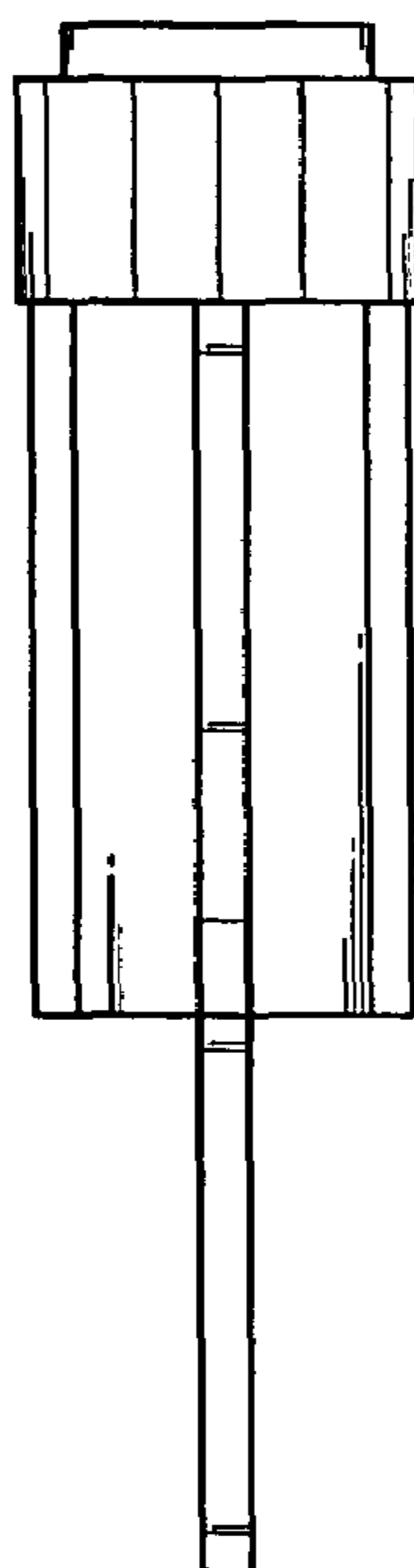


Fig. 5

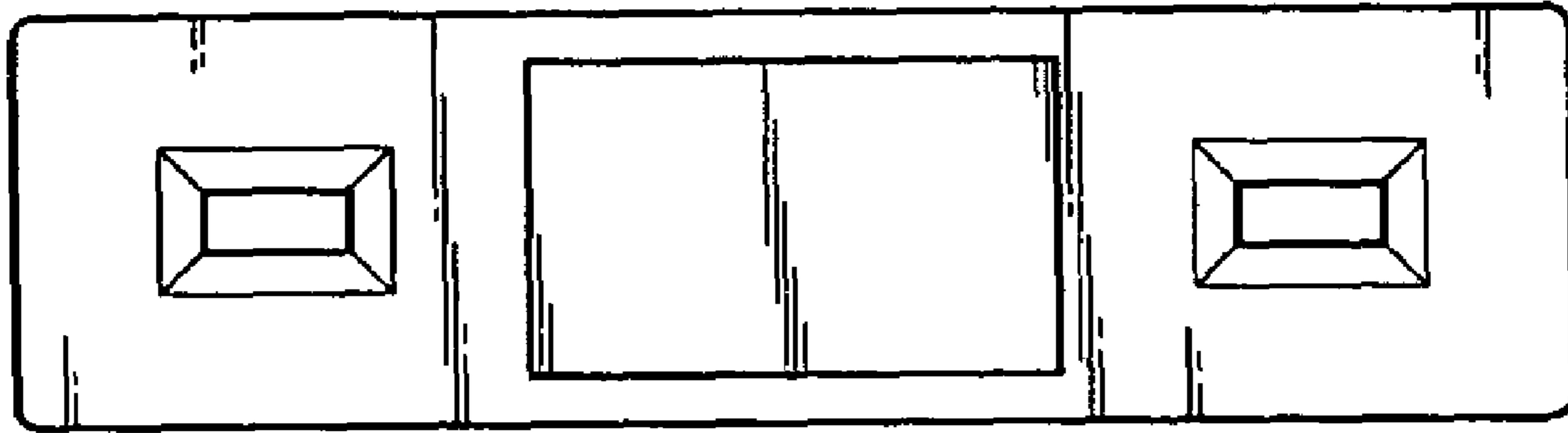


Fig. 6

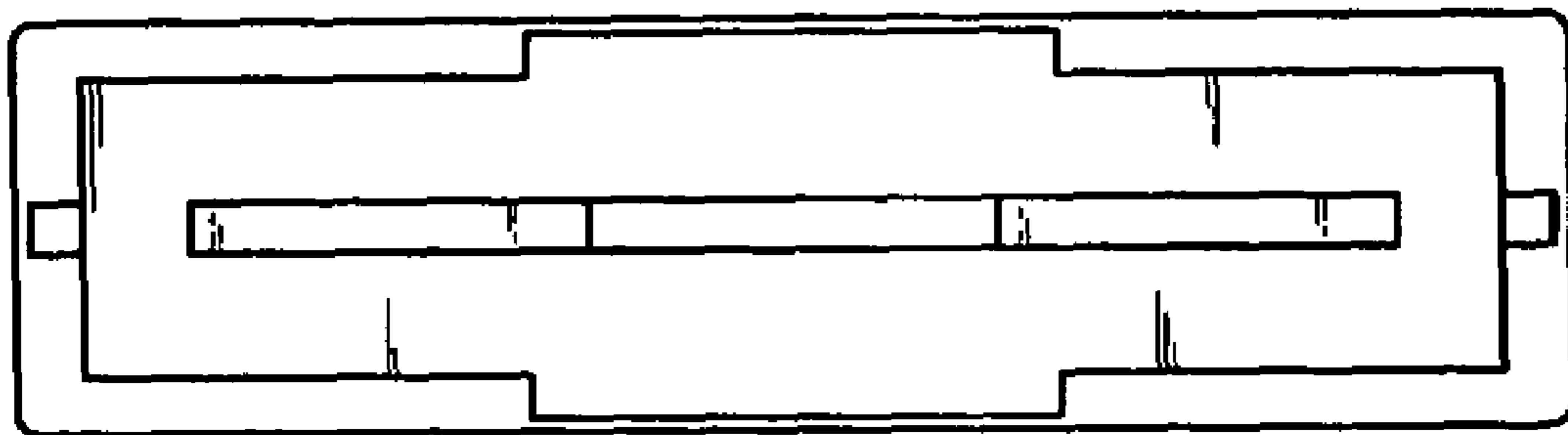


Fig. 7