



US00D558147S

(12) **United States Design Patent** (10) **Patent No.:** **US D558,147 S**
Ruemenapp (45) **Date of Patent:** **** Dec. 25, 2007**

(54) **MEDIUM AND HIGH VOLTAGE SWITCH**

(75) Inventor: **Till Ruemenapp, Mettman (DE)**

(73) Assignee: **ABB Technology AG, Zurich (CH)**

(**) Term: **14 Years**

(21) Appl. No.: **29/229,817**

(22) Filed: **May 12, 2005**

(51) **LOC (8) Cl.** **13-03**

(52) **U.S. Cl.** **D13/158; D13/160**

(58) **Field of Classification Search** D13/120,
D13/158-184, 199; 361/605, 612; 218/77-79,
218/2, 7, 119, 118, 102, 156; 251/172
See application file for complete search history.

(56) **References Cited**

U.S. PATENT DOCUMENTS

2,401,963	A *	6/1946	Rietz et al.	218/102
D159,112	S *	6/1950	van Ryan	D13/160
D163,986	S *	7/1951	Baker et al.	D13/160
3,602,667	A *	8/1971	Reichl et al.	218/156
3,823,346	A *	7/1974	Olsen	361/612
4,059,816	A *	11/1977	Bonecutter et al.	337/278
4,109,124	A *	8/1978	Boersma et al.	218/77
D256,353	S *	8/1980	Evans	D13/160
4,320,377	A *	3/1982	Shaw	337/278
4,379,957	A *	4/1983	Calvino	218/2
D285,434	S *	9/1986	Panas	D13/160
4,831,218	A *	5/1989	Wright	200/5 A
4,862,319	A *	8/1989	Suzuyama et al.	361/612
D312,071	S *	11/1990	Urbanek	D13/160
D320,977	S *	10/1991	Biller et al.	D13/160
D321,170	S *	10/1991	Ramos et al.	D13/160
D321,508	S *	11/1991	Ramos	D13/160
5,350,892	A *	9/1994	Rozier	218/119
5,952,636	A *	9/1999	Morita et al.	218/118

5,991,148	A *	11/1999	Heil et al.	361/605
6,134,100	A *	10/2000	Hageli et al.	361/605
6,335,502	B1 *	1/2002	Kikukawa et al.	218/118
6,545,241	B1 *	4/2003	Franchi et al.	218/78
6,573,469	B1 *	6/2003	Piazza	218/7
6,784,392	B1 *	8/2004	Piazza et al.	218/7
D520,959	S *	5/2006	Nagai et al.	D13/158
2004/0079731	A1 *	4/2004	Rokunohe et al.	218/7
2004/0251443	A1 *	12/2004	Wu	251/172
2005/0150869	A1 *	7/2005	Vaghini et al.	218/118
2005/0236371	A1 *	10/2005	Cameroni et al.	218/118
2006/0283841	A1 *	12/2006	Sologuren-Sanchez et al.	218/79

* cited by examiner

Primary Examiner—Selina Sikder

Assistant Examiner—Thomas J Johannes

(74) *Attorney, Agent, or Firm*—Michael M. Rickin; Michael C. Prewitt

(57) **CLAIM**

I claim the ornamental design for a medium and high voltage switch, as shown and described.

DESCRIPTION

FIG. 1 is a front right perspective view of a medium and high voltage switch showing my new design;

FIG. 2 is a front view thereof;

FIG. 3 is a back view thereof;

FIG. 4 is a right side view thereof; the left side being a mirror image thereof;

FIG. 5 is a top view thereof; and,

FIG. 6 is a bottom view thereof.

The broken lines shown in FIG. 6 define the bounds of the claimed design and form no part thereof.

1 Claim, 3 Drawing Sheets

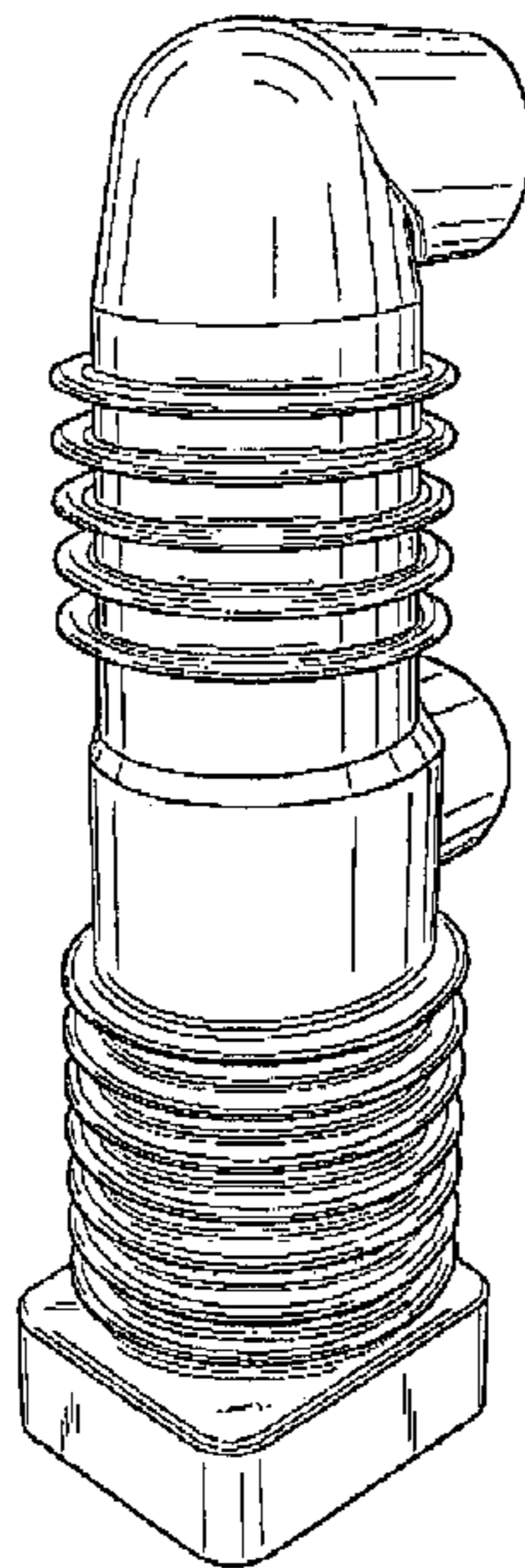
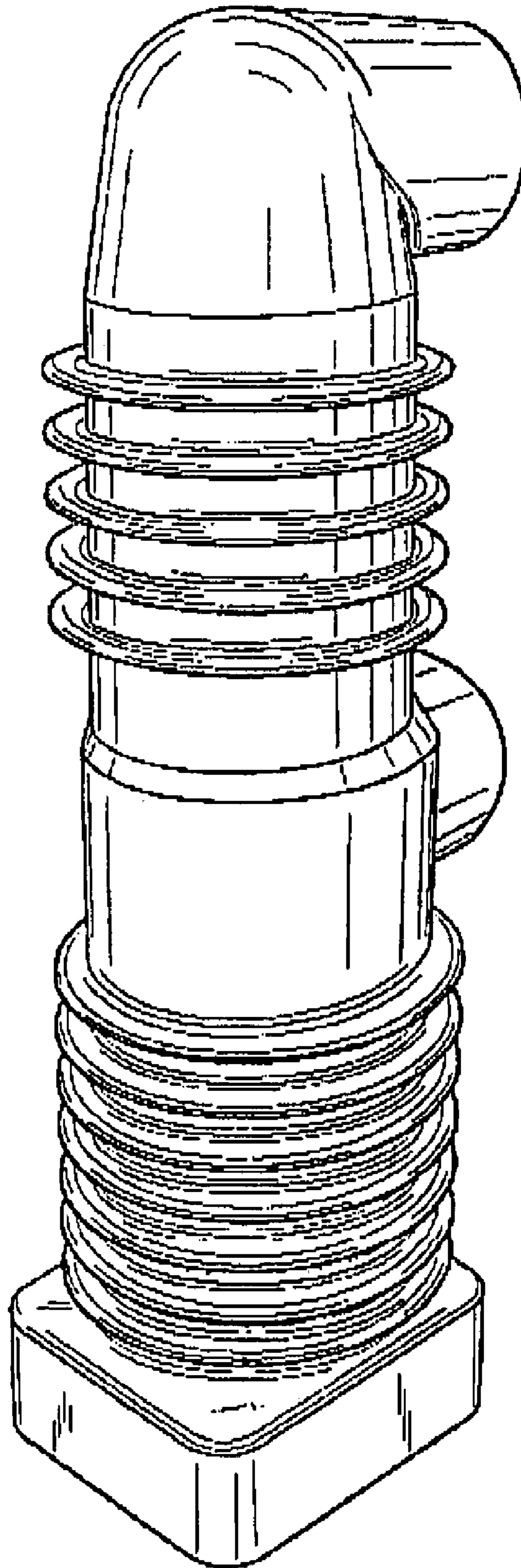


FIG. 1



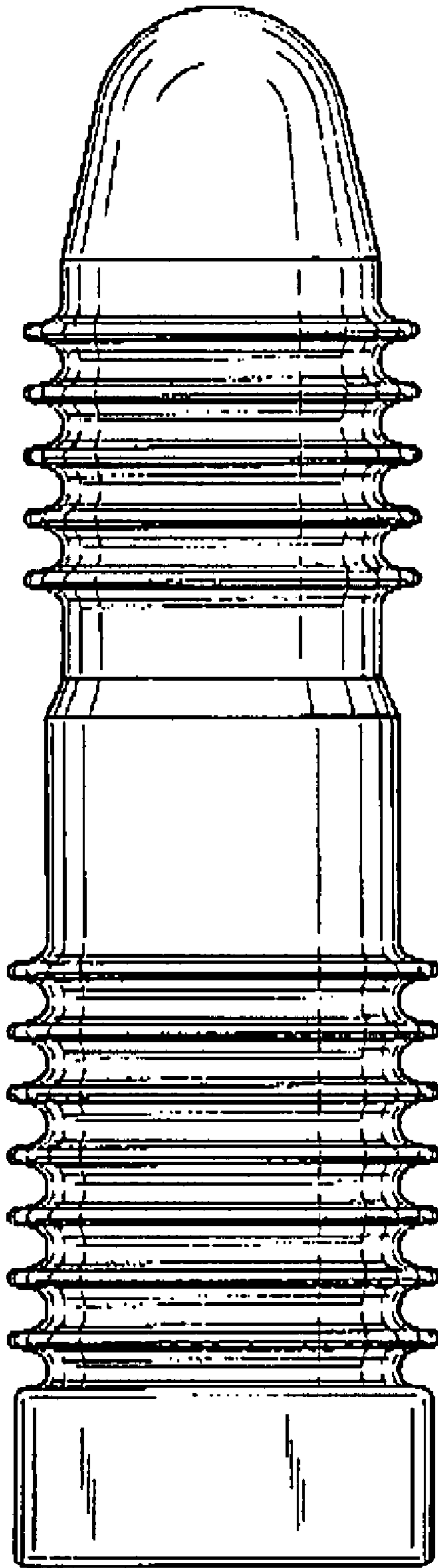


FIG. 2

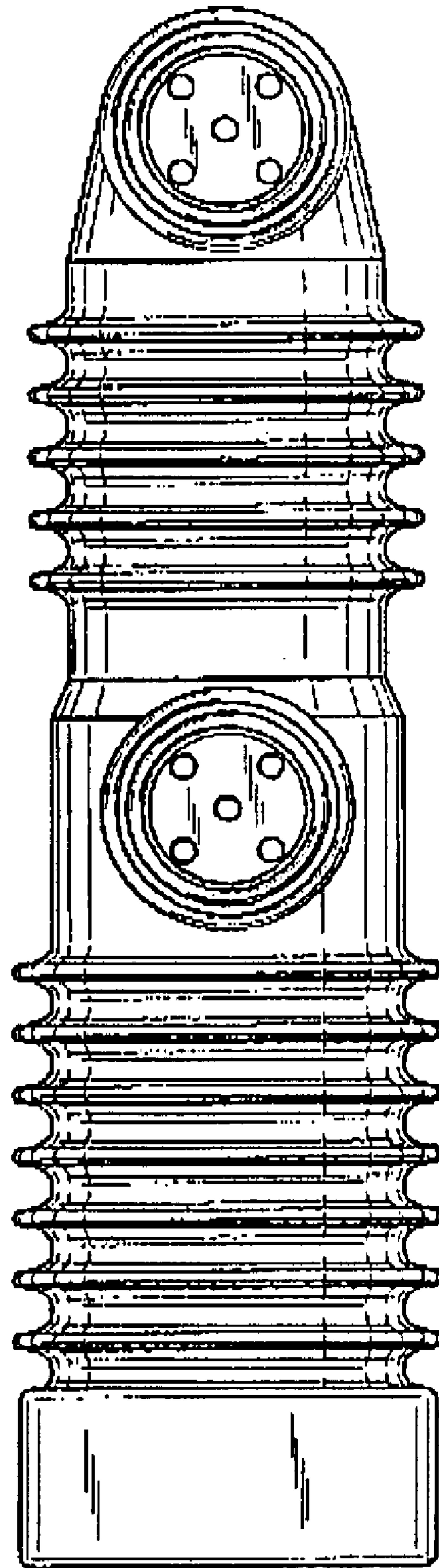


FIG. 3

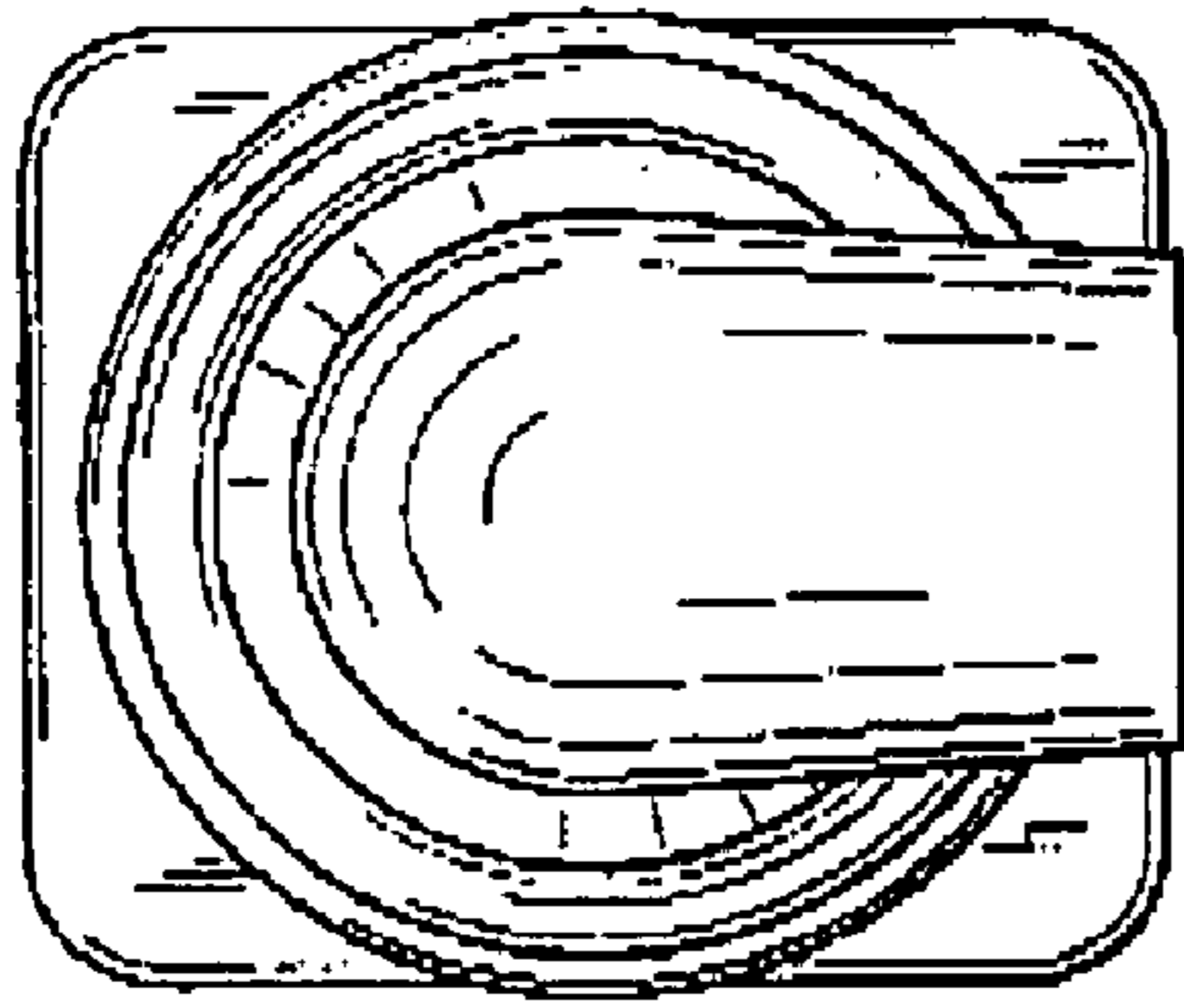


FIG. 5

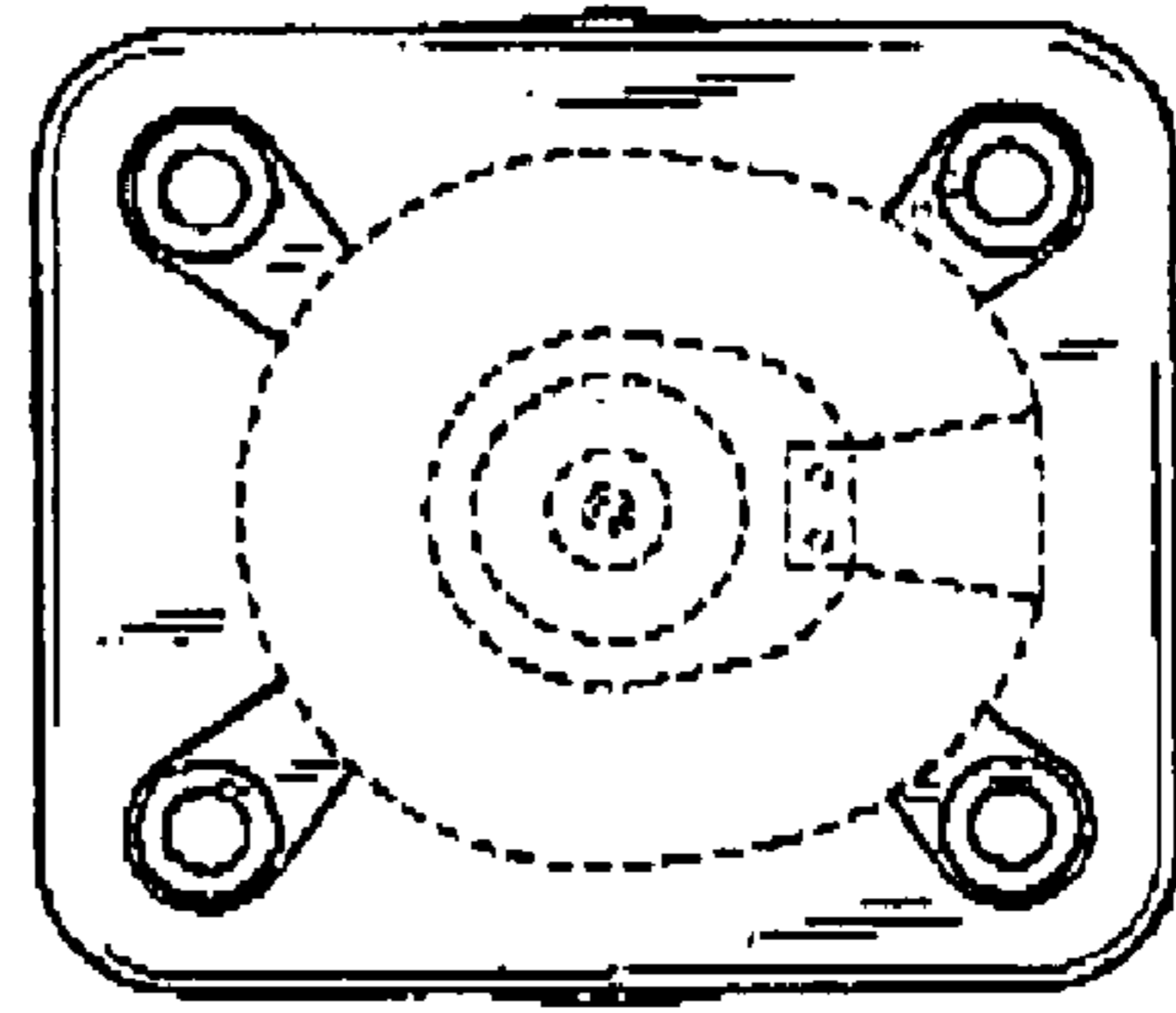


FIG. 6

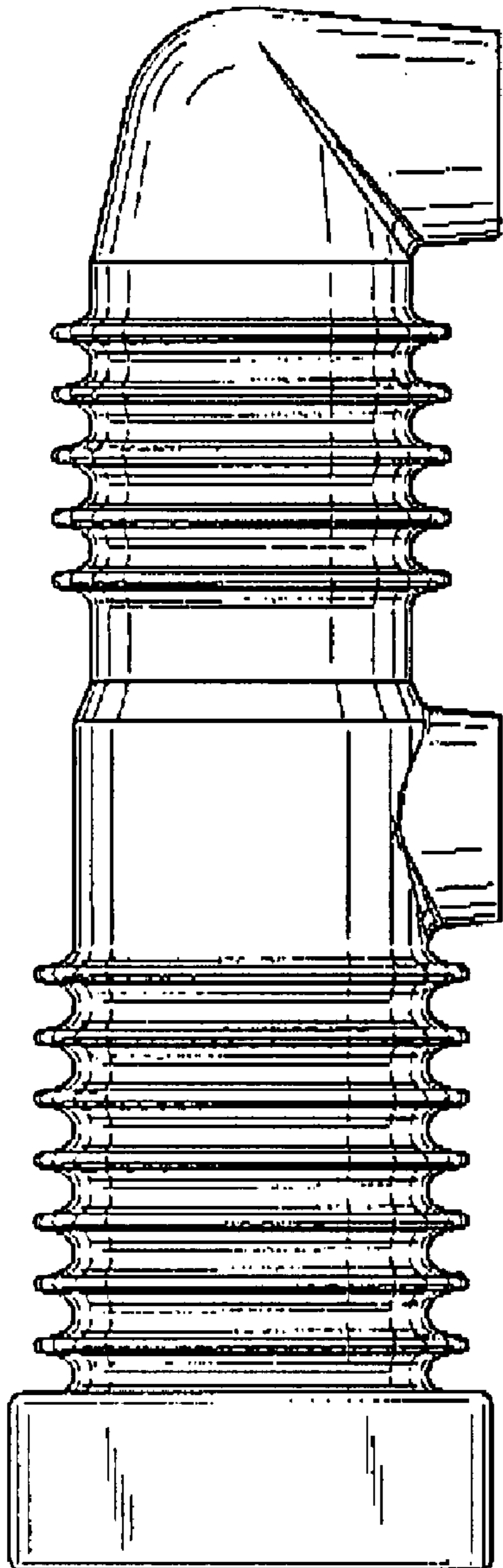


FIG. 4