



US00D558146S

(12) **United States Design Patent**
Nishio et al.

(10) **Patent No.:** **US D558,146 S**

(45) **Date of Patent:** **** Dec. 25, 2007**

(54) **CONNECTOR**

(75) Inventors: **Atsushi Nishio**, Tama (JP); **Takashi Kawasaki**, Tama (JP); **Masashi Ouchi**, Tama (JP); **Takahiro Shimoyama**, Tama (JP)

(73) Assignee: **Mitsumi Electric Co., Ltd.**, Tokyo (JP)

(**) Term: **14 Years**

(21) Appl. No.: **29/245,628**

(22) Filed: **Dec. 28, 2005**

(30) **Foreign Application Priority Data**

Aug. 12, 2005 (JP) 2005-023584

(51) **LOC (8) Cl.** **13-03**

(52) **U.S. Cl.** **D13/154; D13/147**

(58) **Field of Classification Search** D13/123,
D13/133, 146-147, 154, 184, 199; 439/79,
439/108, 278, 374, 377, 660, 607-610, 680-682,
439/883, 891, 894

See application file for complete search history.

(56) **References Cited**

U.S. PATENT DOCUMENTS

- D433,665 S * 11/2000 Huang D13/147
- D462,326 S * 9/2002 Okamoto D13/147
- D478,050 S * 8/2003 Nishio et al. D13/147
- D480,686 S * 10/2003 Takahashi D13/147
- D481,681 S * 11/2003 Takahashi D13/147
- D482,002 S * 11/2003 Suzuki et al. D13/147

- D509,799 S * 9/2005 Tsai D13/147
- D523,400 S * 6/2006 Shang-Yen et al. D13/147
- D523,813 S * 6/2006 He et al. D13/147

OTHER PUBLICATIONS

U.S. Appl. No. 29/245,625, filed Dec. 28, 2005 Atsushi Nishio et al.

* cited by examiner

Primary Examiner—Daniel Bui

(74) *Attorney, Agent, or Firm*—Sughrue Mion, PLLC

(57) **CLAIM**

The ornamental design for a connector, as shown and described.

DESCRIPTION

FIG. 1 is a perspective view of the top, front, and right side of a connector showing our new design;

FIG. 2 is a front elevational view thereof;

FIG. 3 is a rear elevational view thereof;

FIG. 4 is a top plan view thereof;

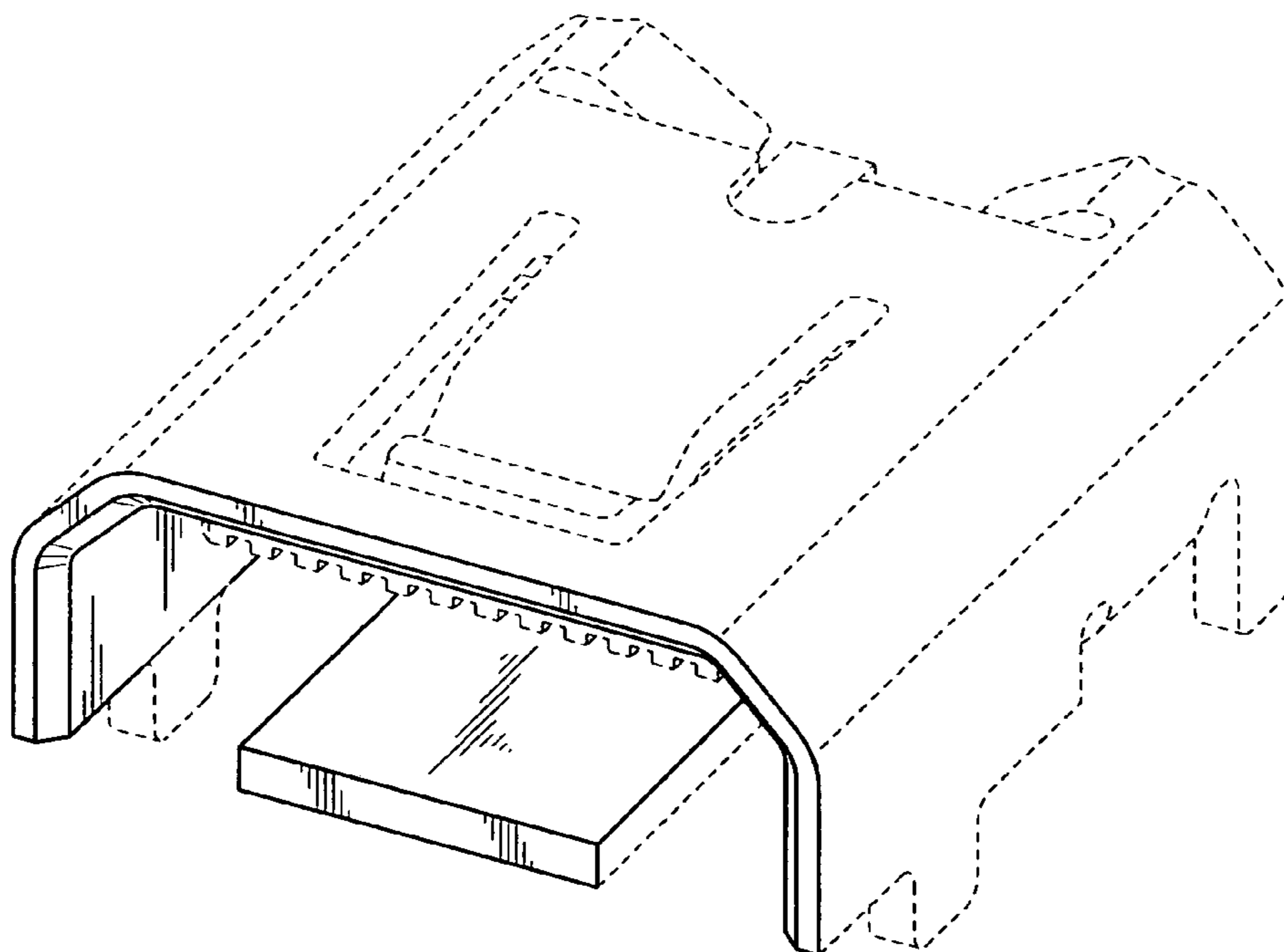
FIG. 5 is a right side elevational view thereof;

FIG. 6 is a left side elevational view thereof; and,

FIG. 7 is a bottom plan view thereof.

The portions shown in broken lines are for illustrative purposes only and form no part of the claimed design. Also, the dot-dash broken lines define the boundaries of the claimed portion and the non-claimed portion.

1 Claim, 3 Drawing Sheets



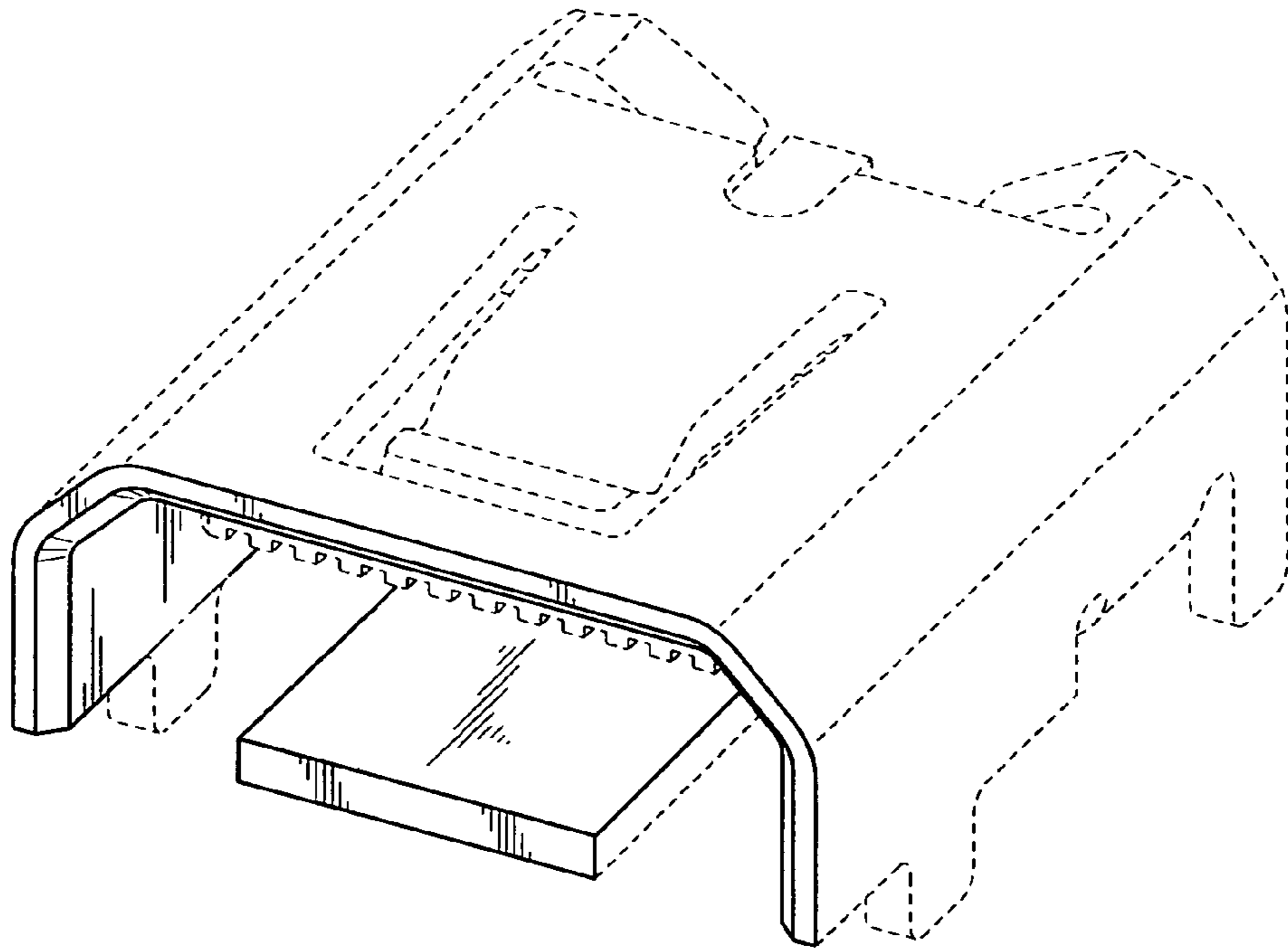


FIG. 1

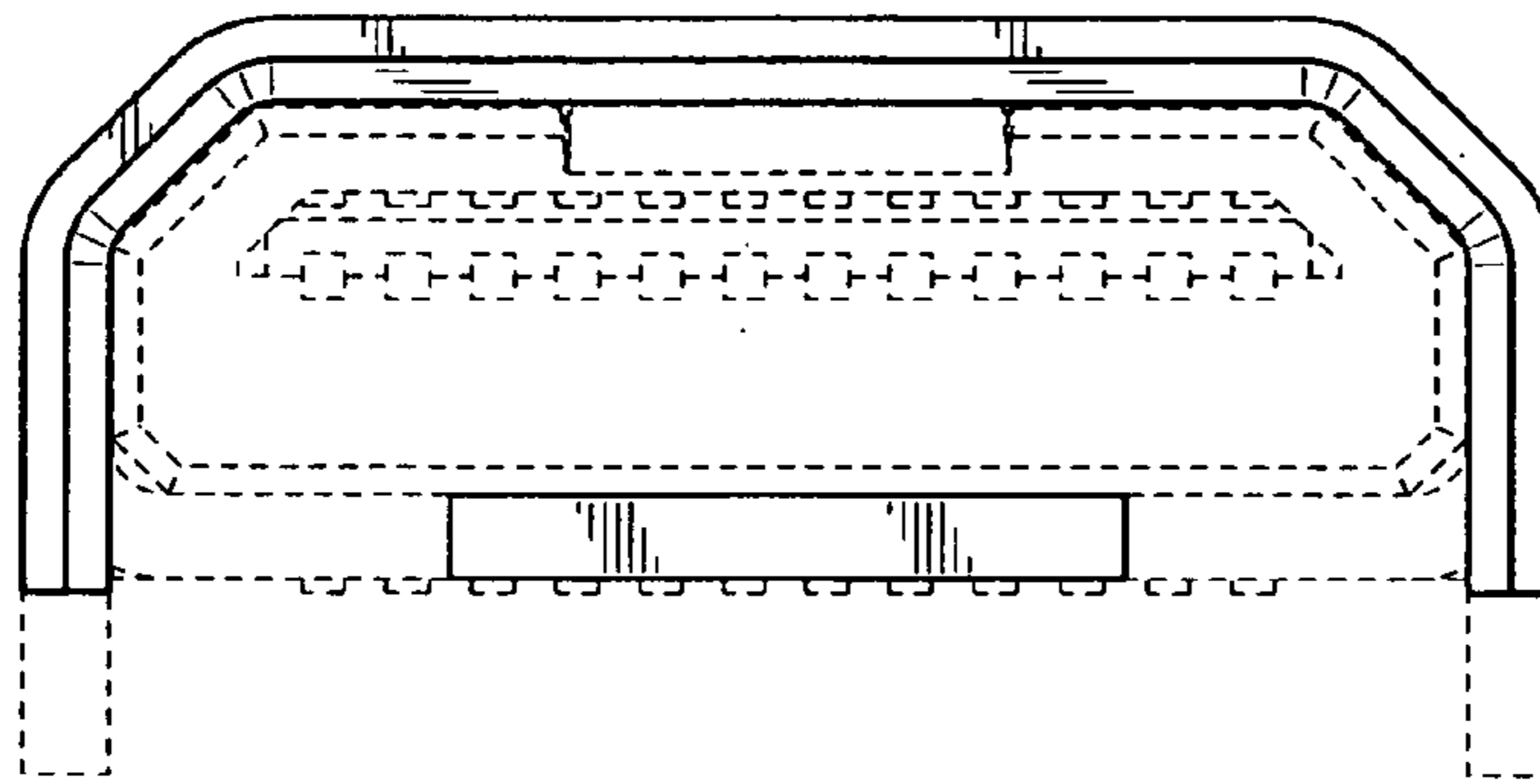


FIG. 2

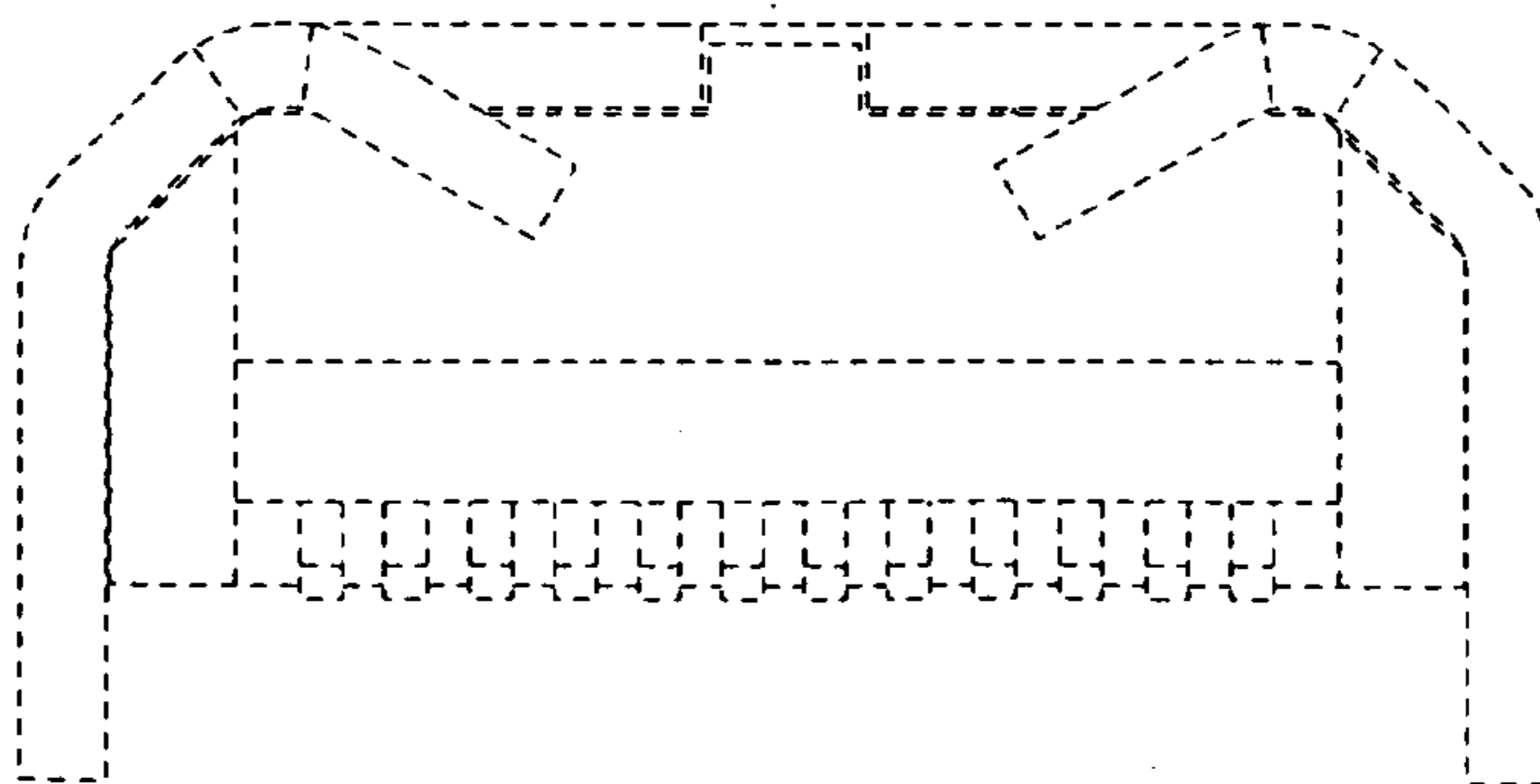


FIG. 3

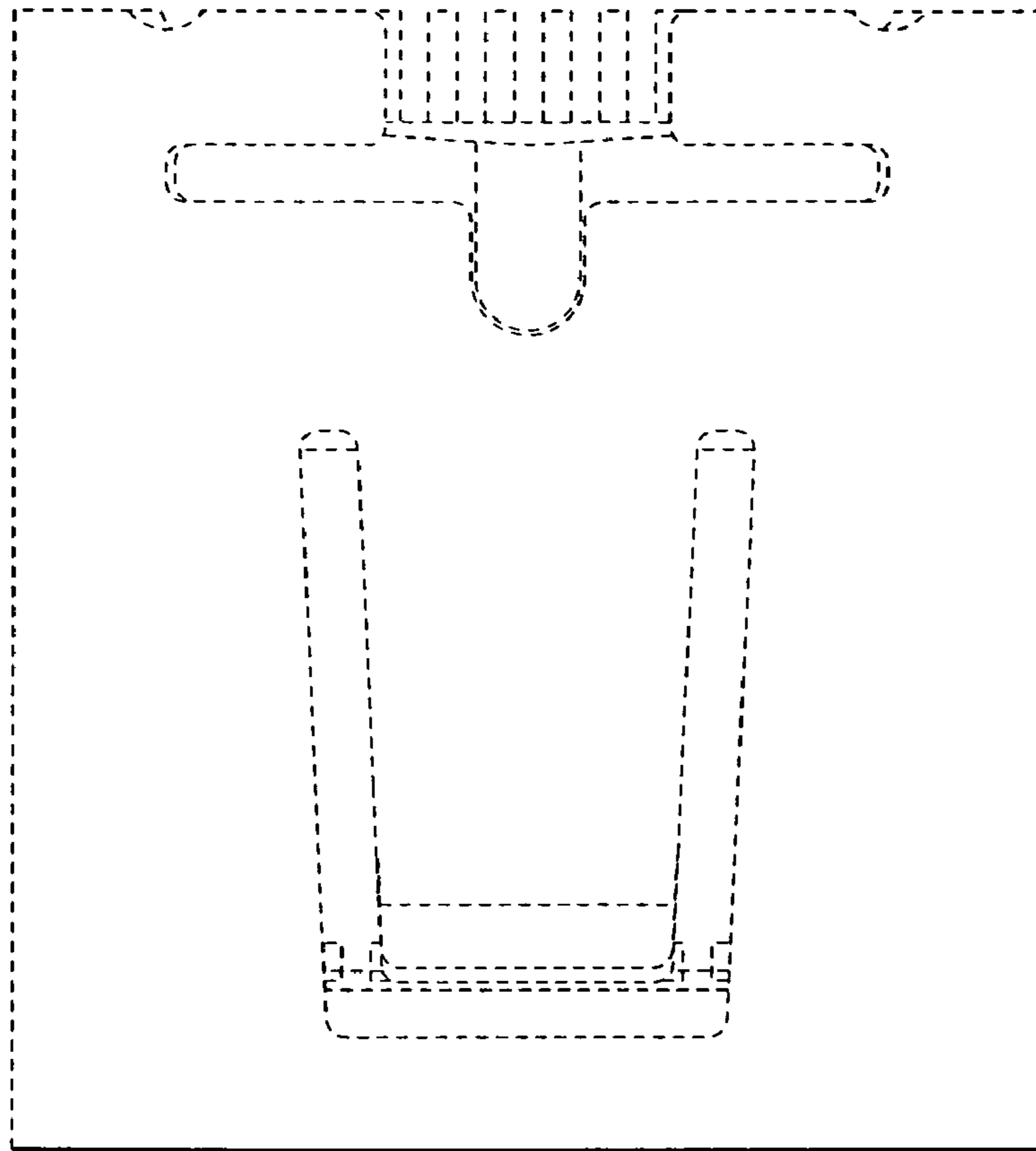


FIG. 4

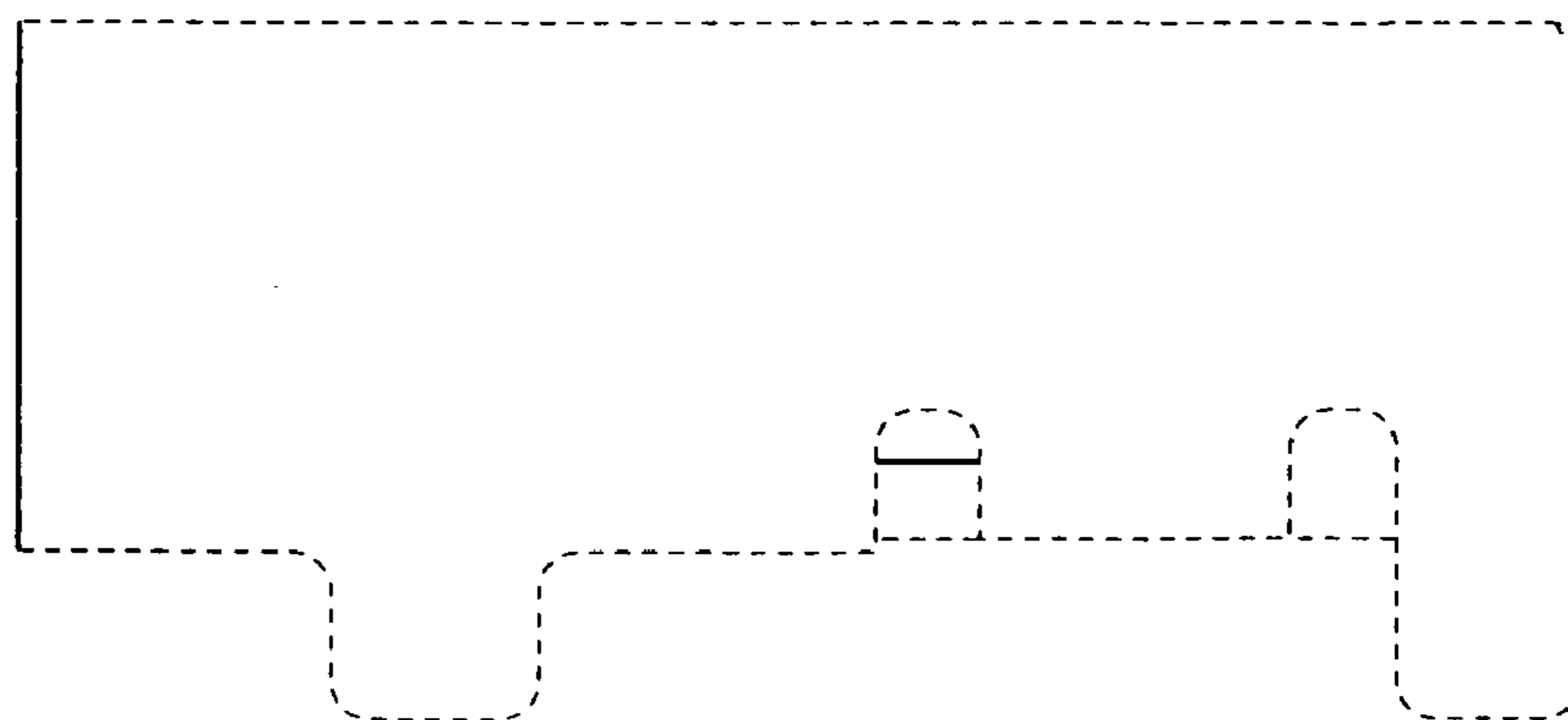


FIG. 5

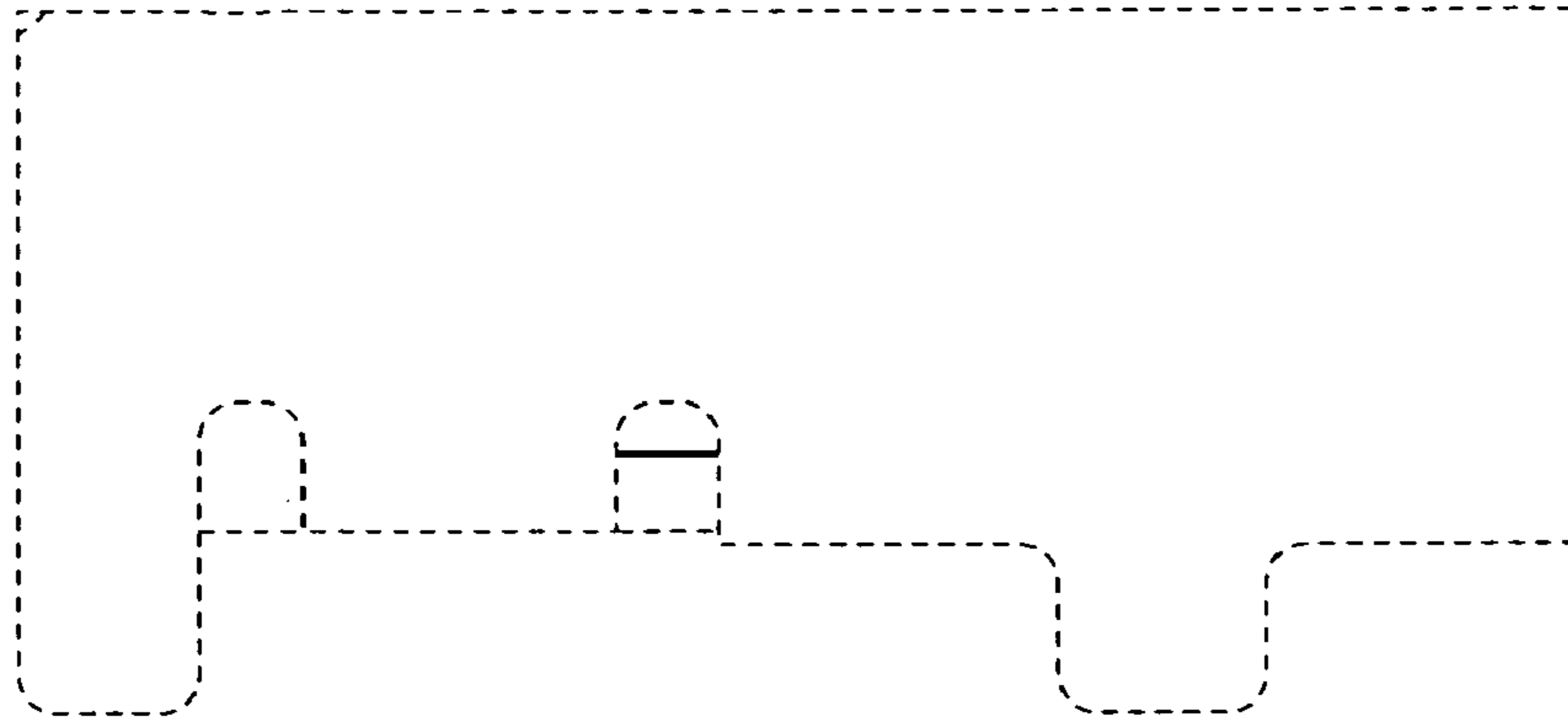


FIG. 6

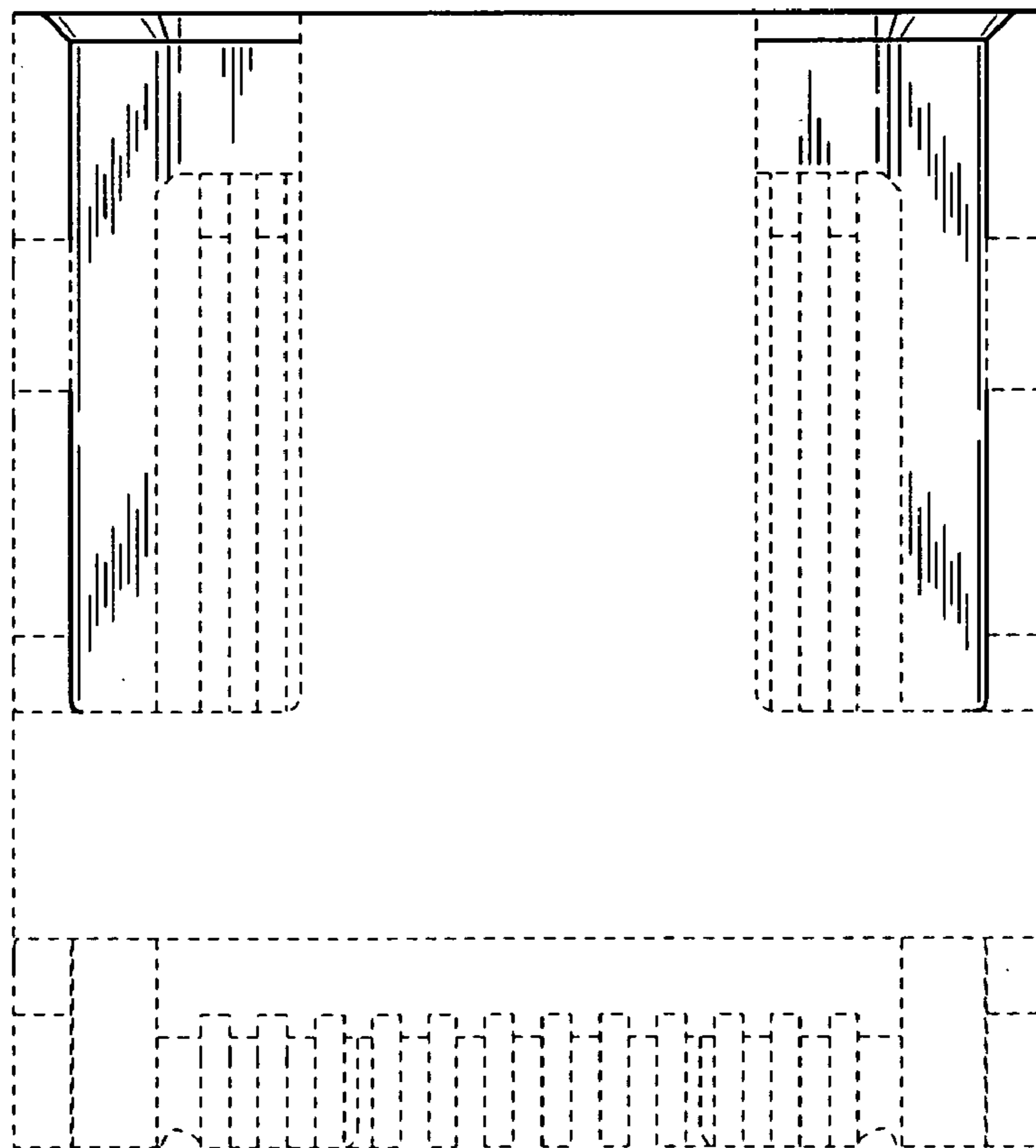


FIG. 7