



US00D558142S

(12) **United States Design Patent**
Cho

(10) **Patent No.:** **US D558,142 S**

(45) **Date of Patent:** **** Dec. 25, 2007**

(54) **INVERTER WITH A CHARGING CAPABILITY**

D427,969 S * 7/2000 Wei D13/110
D496,629 S * 9/2004 Hriscu et al. D13/110

(75) Inventor: **Henry Cho**, Taipei (TW)

* cited by examiner

(73) Assignee: **DHC Specialty Corp.** (TW)

Primary Examiner—Prabhakar Deshmukh

Assistant Examiner—Derrick Holland

(**) Term: **14 Years**

(74) *Attorney, Agent, or Firm*—Jackson Walker, LLP

(21) Appl. No.: **29/272,856**

(57) **CLAIM**

(22) Filed: **Feb. 20, 2007**

The ornamental design for an inverter with a charging capability, as shown.

(51) **LOC (8) Cl.** **13-02**

(52) **U.S. Cl.** **D13/110**

(58) **Field of Classification Search** D13/110,
D13/123, 184, 199; 307/150, 151; 337/186;
361/600, 601, 730; 363/141, 142
See application file for complete search history.

DESCRIPTION

FIG. 1 is a perspective view of an inverter with a charging capability showing my new design;

FIG. 2 is a front view thereof;

FIG. 3 is a rear view thereof;

FIG. 4 is a left side view thereof;

FIG. 5 is a right side view thereof;

FIG. 6 is a top view thereof; and,

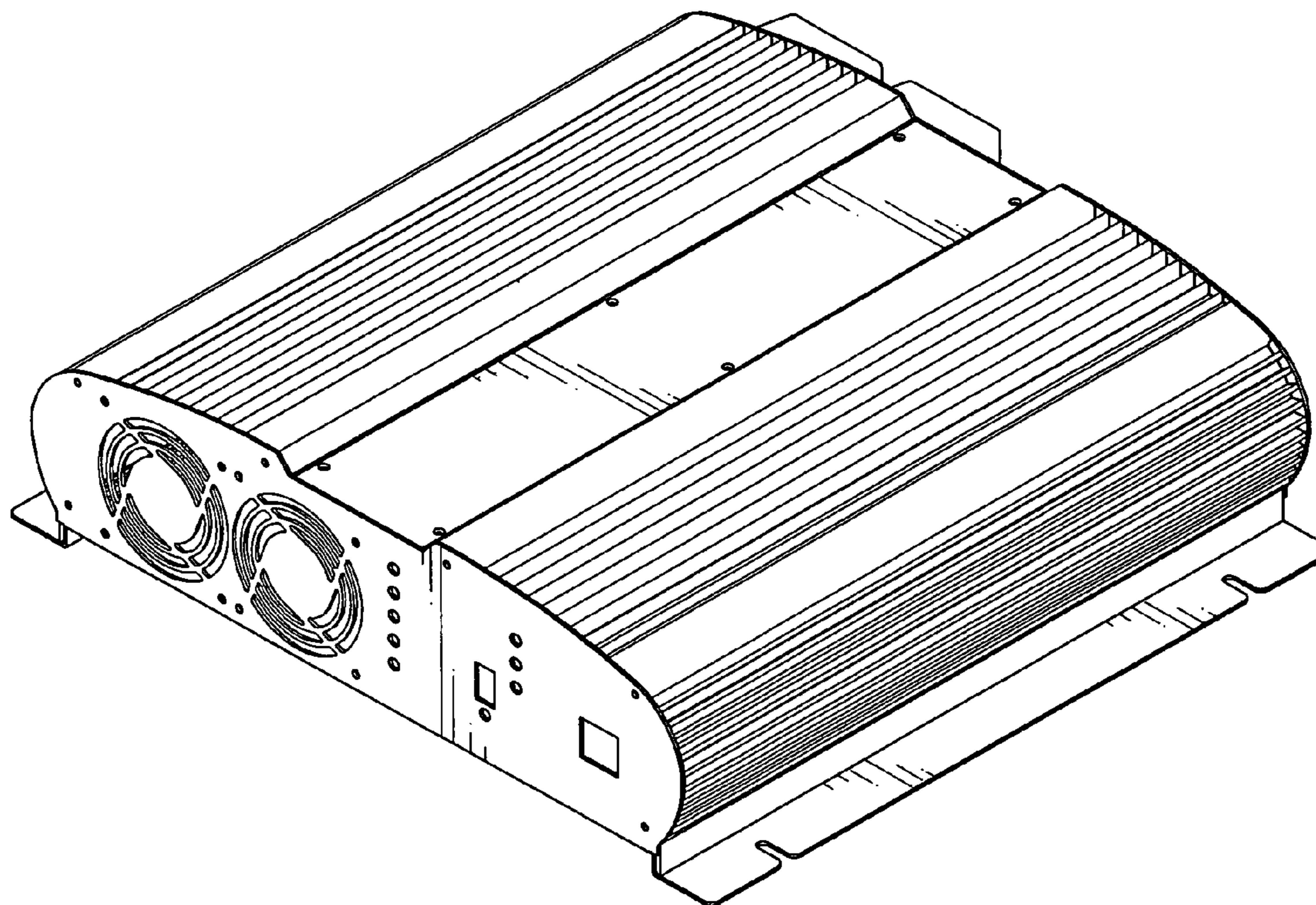
FIG. 7 is a bottom view thereof.

(56) **References Cited**

U.S. PATENT DOCUMENTS

D332,443 S * 1/1993 Sharpe D13/184
D413,567 S * 9/1999 Person et al. D13/110
5,949,640 A * 9/1999 Cameron et al. 361/600
D427,146 S * 6/2000 Wei D13/110
D427,147 S * 6/2000 Wei D13/110

1 Claim, 7 Drawing Sheets



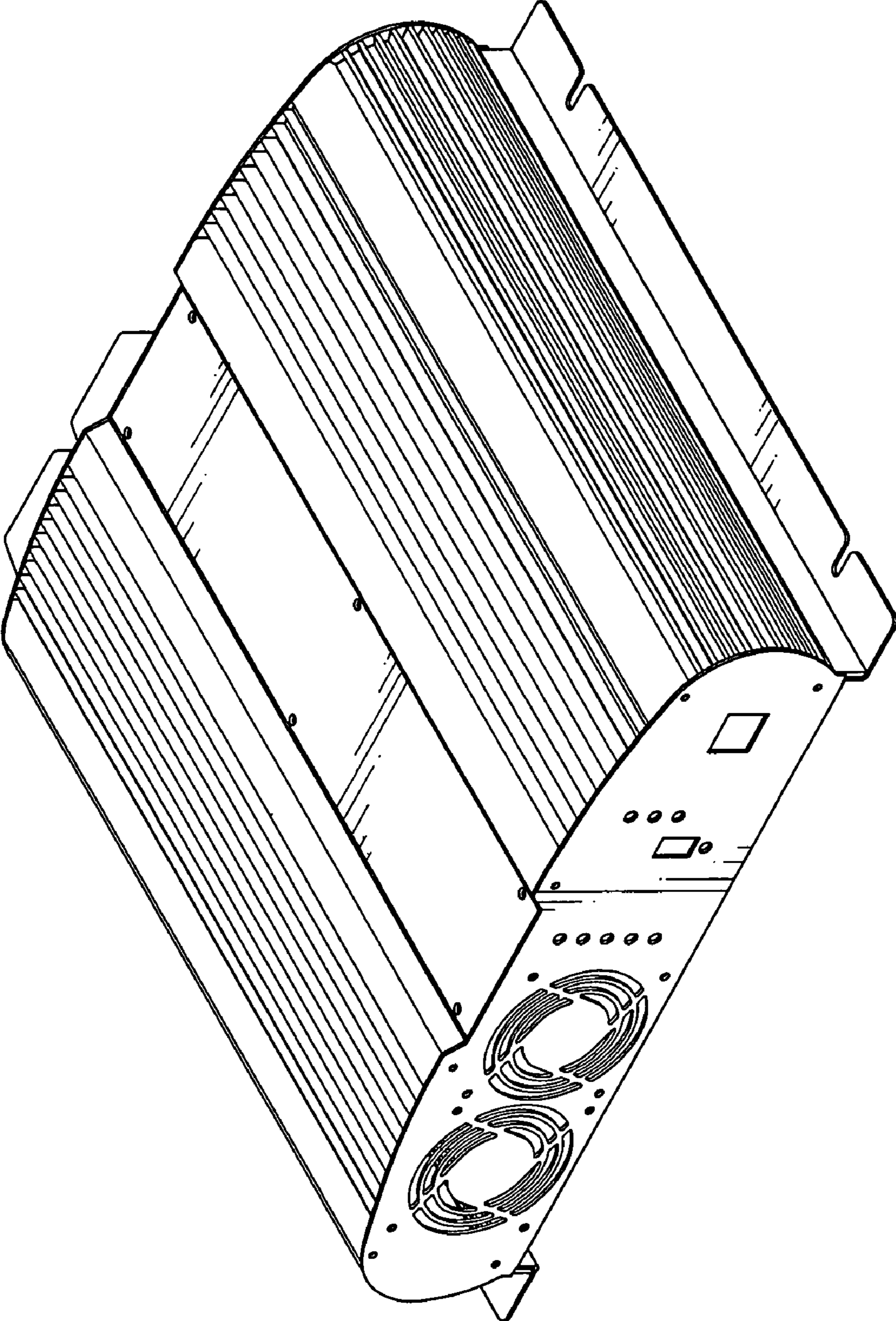


FIG.1

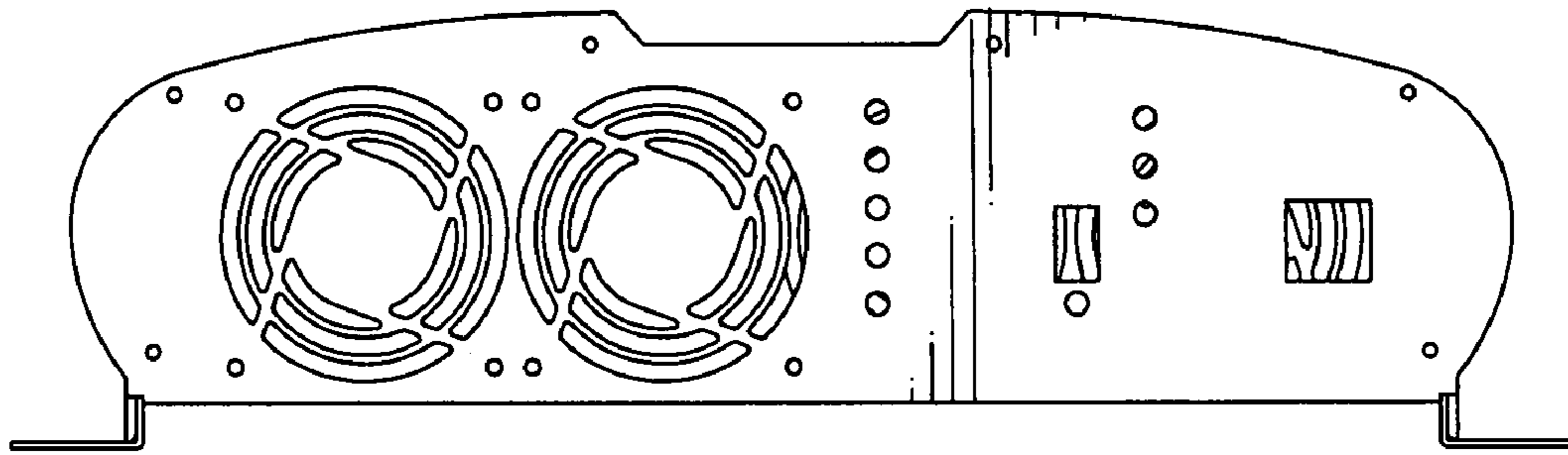


FIG.2

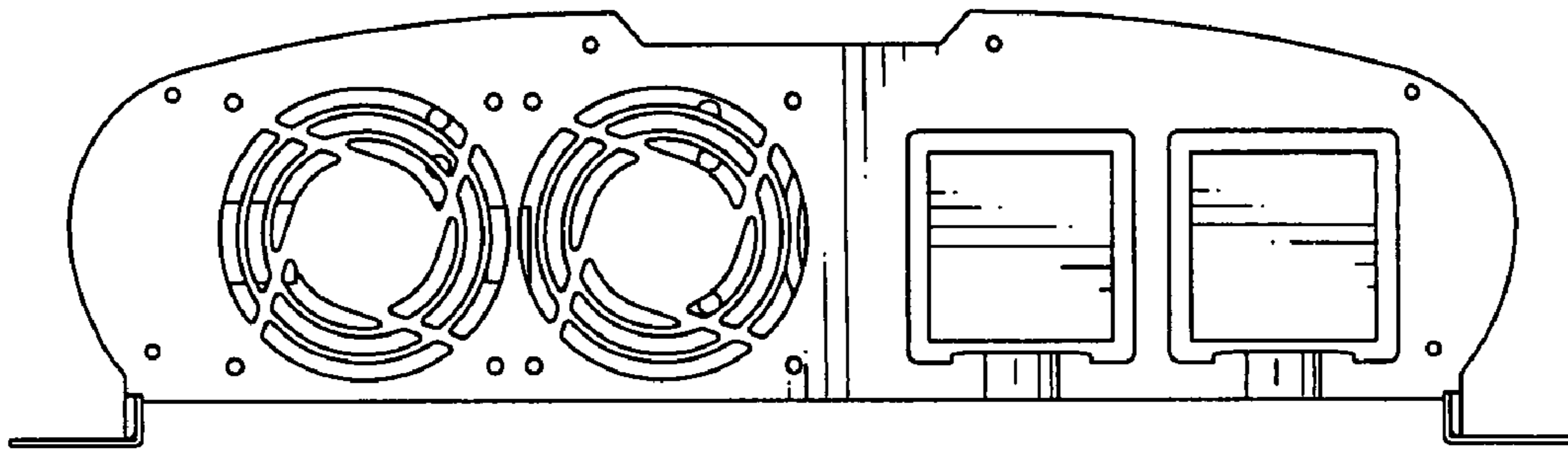


FIG.3

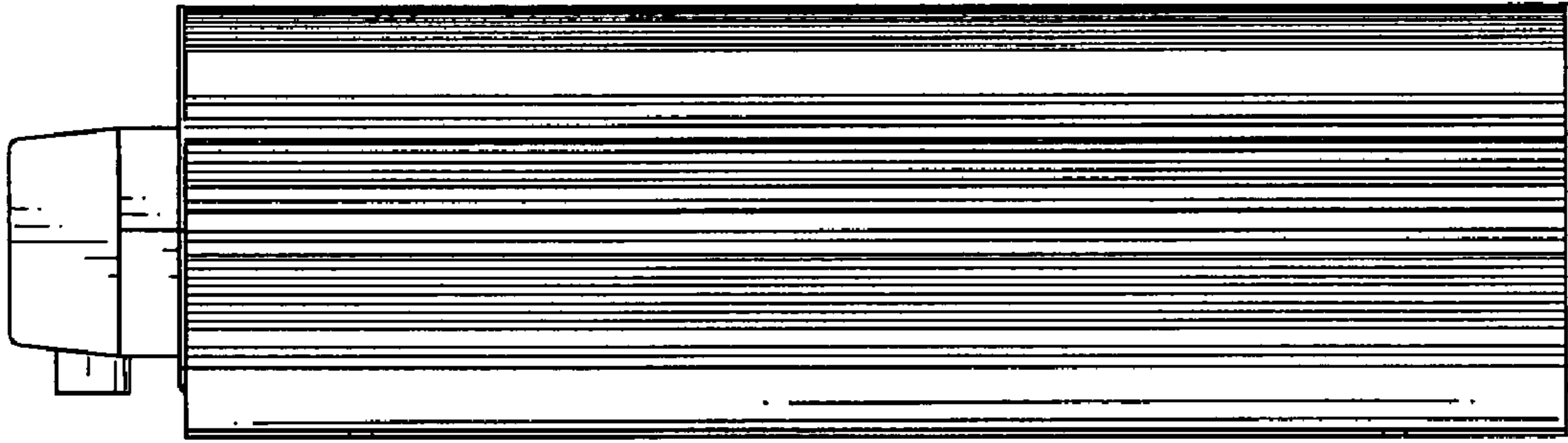


FIG.4

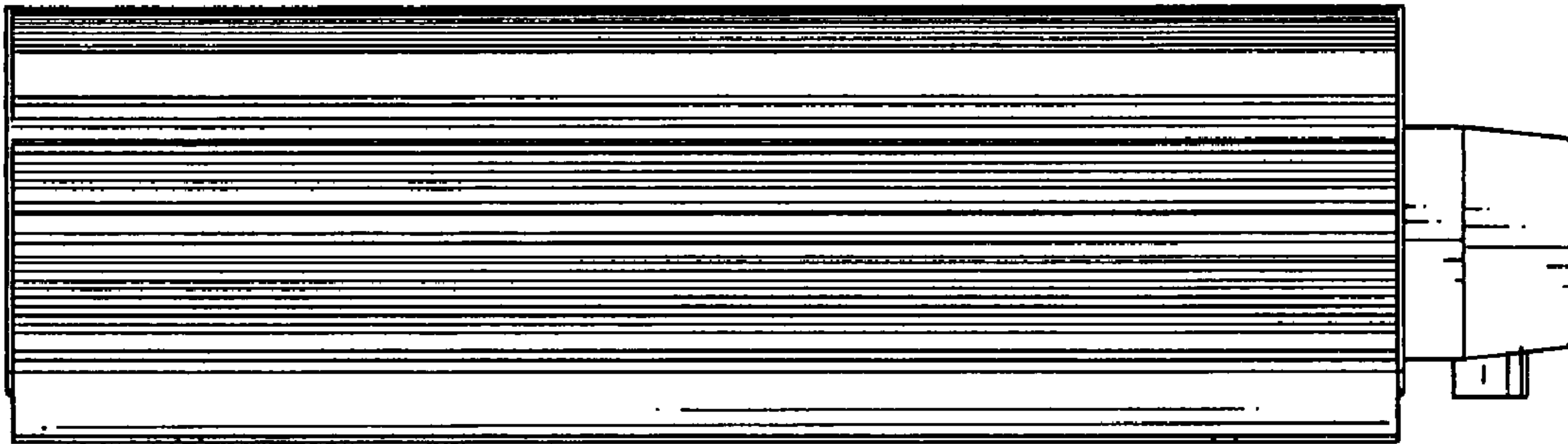


FIG.5

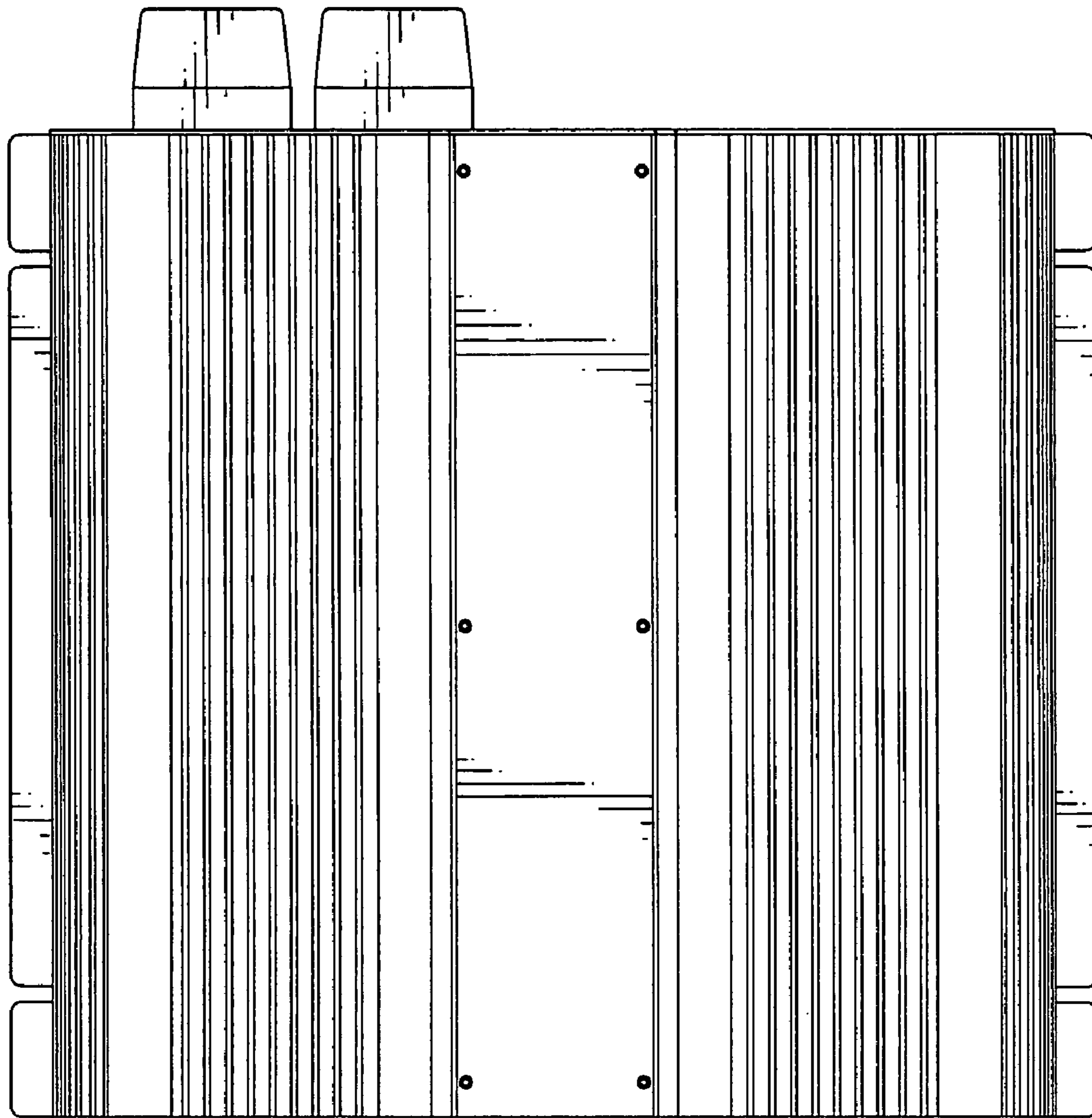


FIG.6

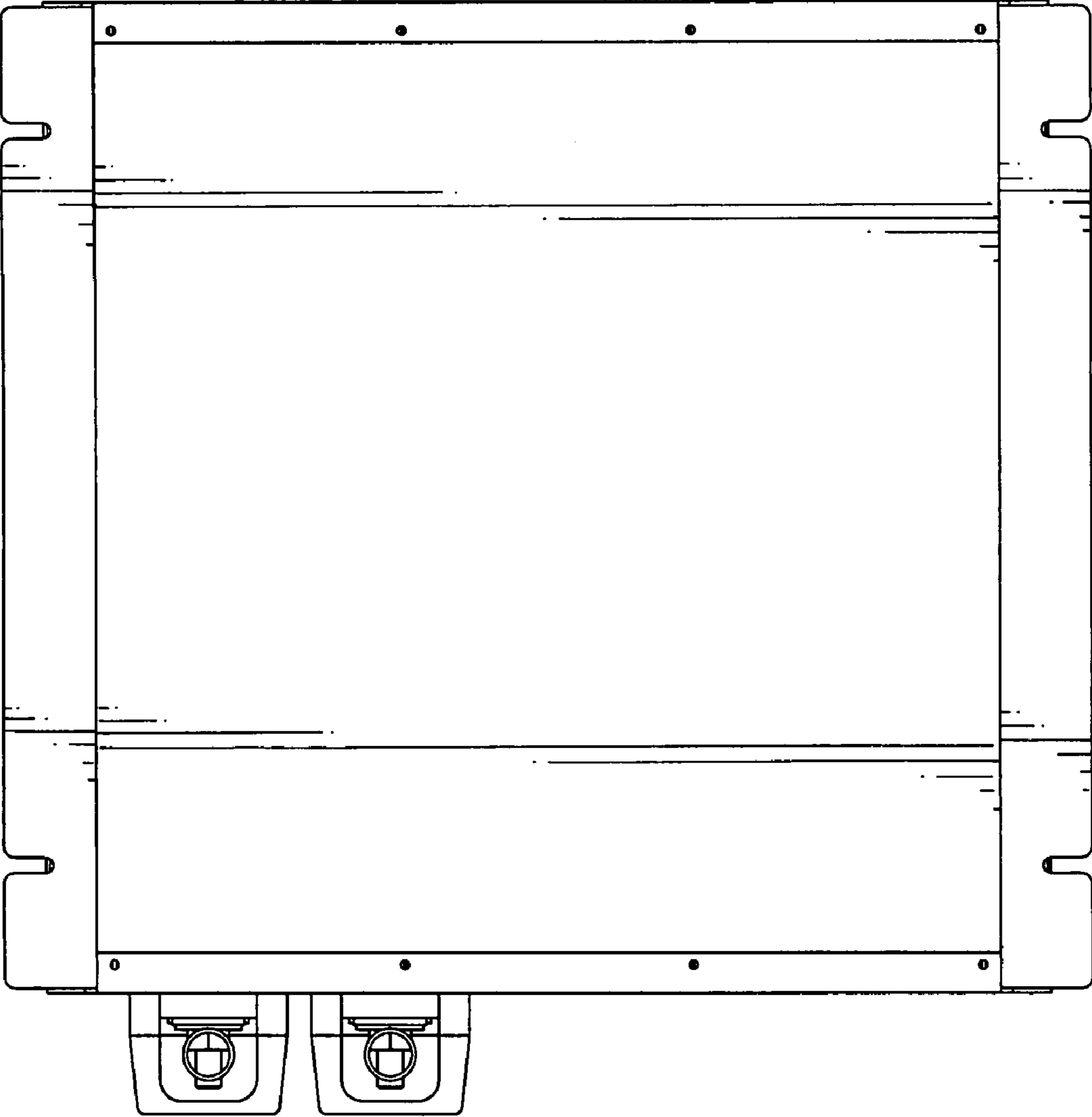


FIG.7