



US00D558141S

(12) **United States Design Patent**
Kwon

(10) **Patent No.:** **US D558,141 S**

(45) **Date of Patent:** **** Dec. 25, 2007**

(54) **INVERTER FOR ELECTRIC MOTOR**

(75) Inventor: **Do Il Kwon**, Gyeonggi-do (KR)

(73) Assignee: **LS Industrial Systems Co., Ltd.**, Seoul (KR)

(**) Term: **14 Years**

(21) Appl. No.: **29/271,032**

(22) Filed: **Jan. 9, 2007**

(30) **Foreign Application Priority Data**

Jul. 10, 2006 (KR) 30-2006-0029150

(51) **LOC (8) Cl.** **13-02**

(52) **U.S. Cl.** **D13/110**

(58) **Field of Classification Search** D13/110,
D13/101, 112, 122, 123, 184, 199; 307/150-152;
361/622, 702, 703, 809; 363/141

See application file for complete search history.

(56) **References Cited**

U.S. PATENT DOCUMENTS

- 5,170,336 A * 12/1992 Getter et al. 363/141
- D358,753 S * 5/1995 Yoshida et al. D13/123
- 5,497,289 A * 3/1996 Sugishima et al. 361/709
- D372,017 S * 7/1996 Suematsu et al. D13/110

- D455,121 S * 4/2002 Takeuchi et al. D13/110
- D455,399 S * 4/2002 Imamura et al. D13/110
- D455,714 S * 4/2002 Kim D13/110
- D457,492 S * 5/2002 Kim D13/110

* cited by examiner

Primary Examiner—Prabhakar Deshmukh

Assistant Examiner—Derrick Holland

(74) *Attorney, Agent, or Firm*—Birch, Stewart, Kolasch & Birch, LLP

(57) **CLAIM**

I claim the ornamental design for inverter for electric motor, as shown and described.

DESCRIPTION

FIG. 1 is a perspective view of inverter for electric motor showing the new design:

FIG. 2 is a front elevation view thereof;

FIG. 3 is a rear elevation view thereof;

FIG. 4 is a left-side elevation view thereof;

FIG. 5 is a right-side elevation view thereof;

FIG. 6 is a top plan view thereof; and,

FIG. 7 is a bottom plan view thereof.

1 Claim, 5 Drawing Sheets

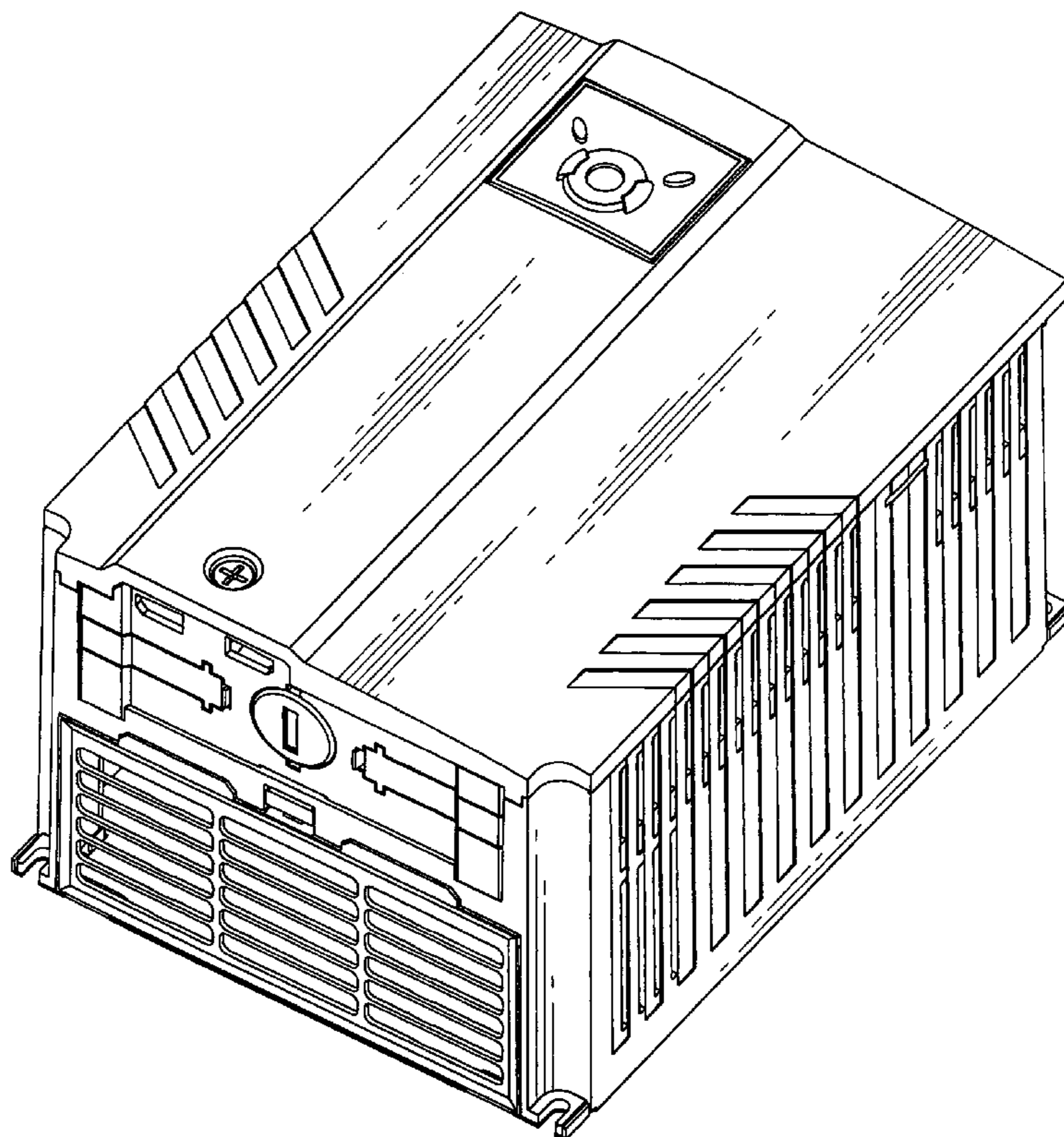


FIG. 1

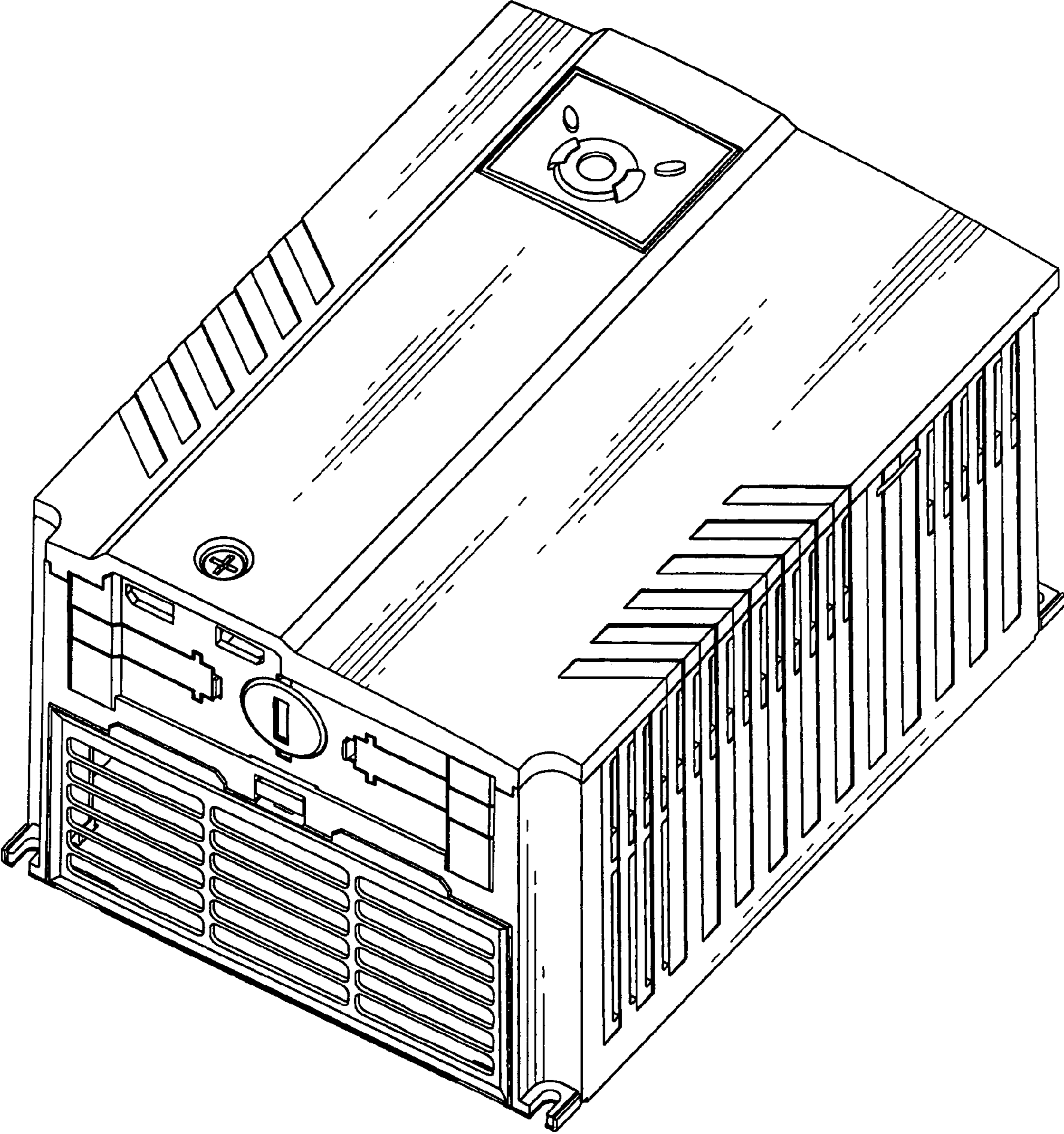


FIG. 2

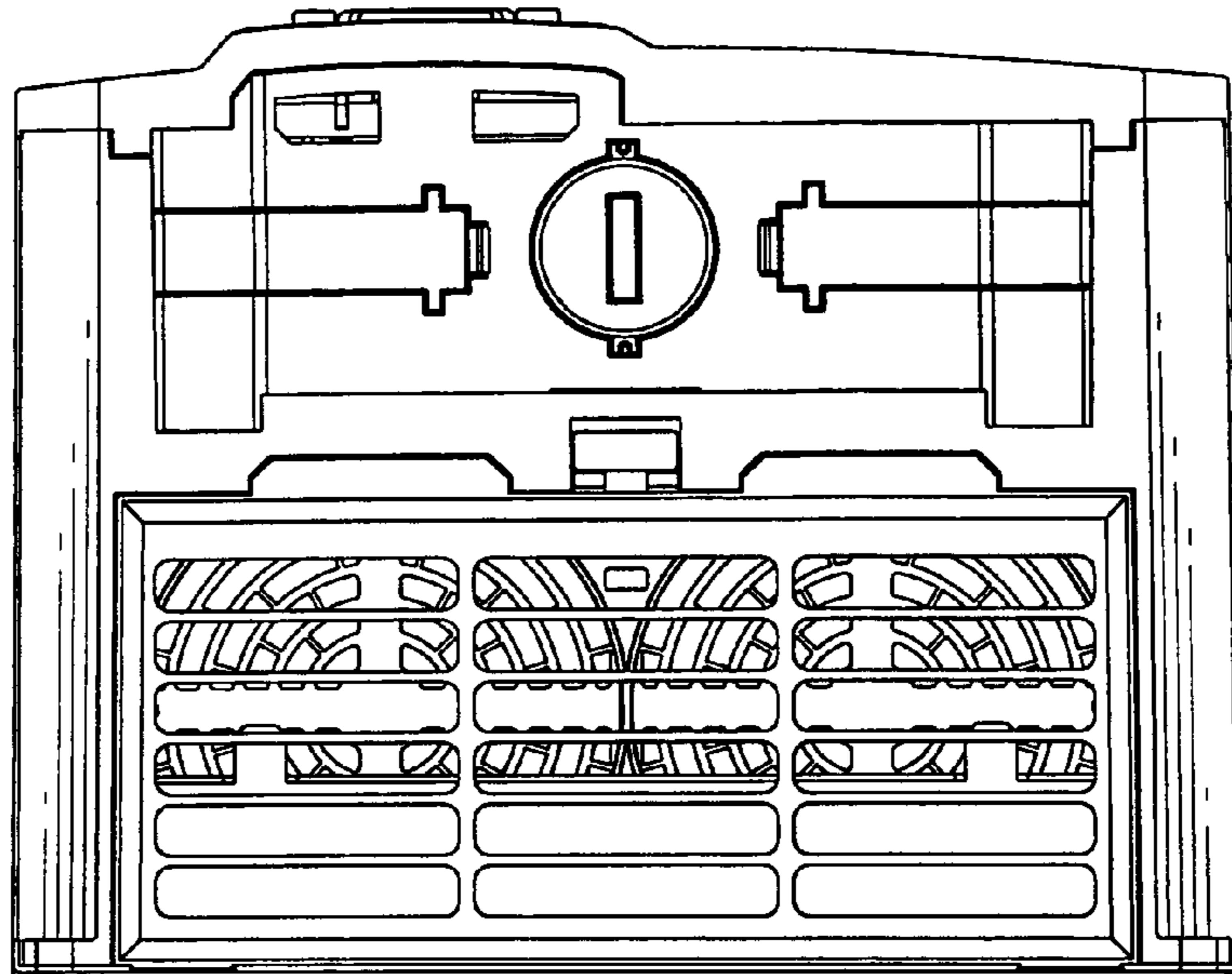


FIG. 3

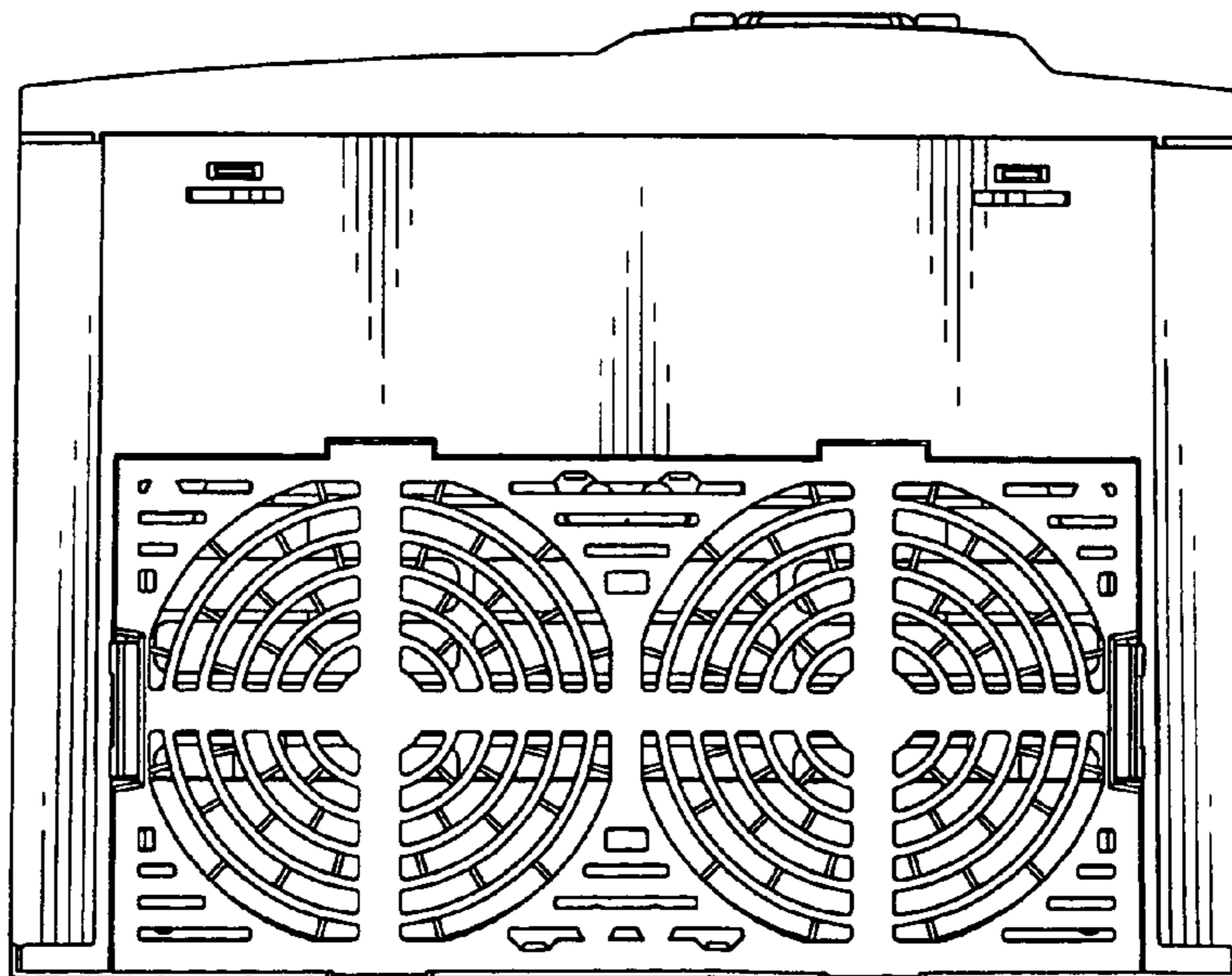


FIG. 4

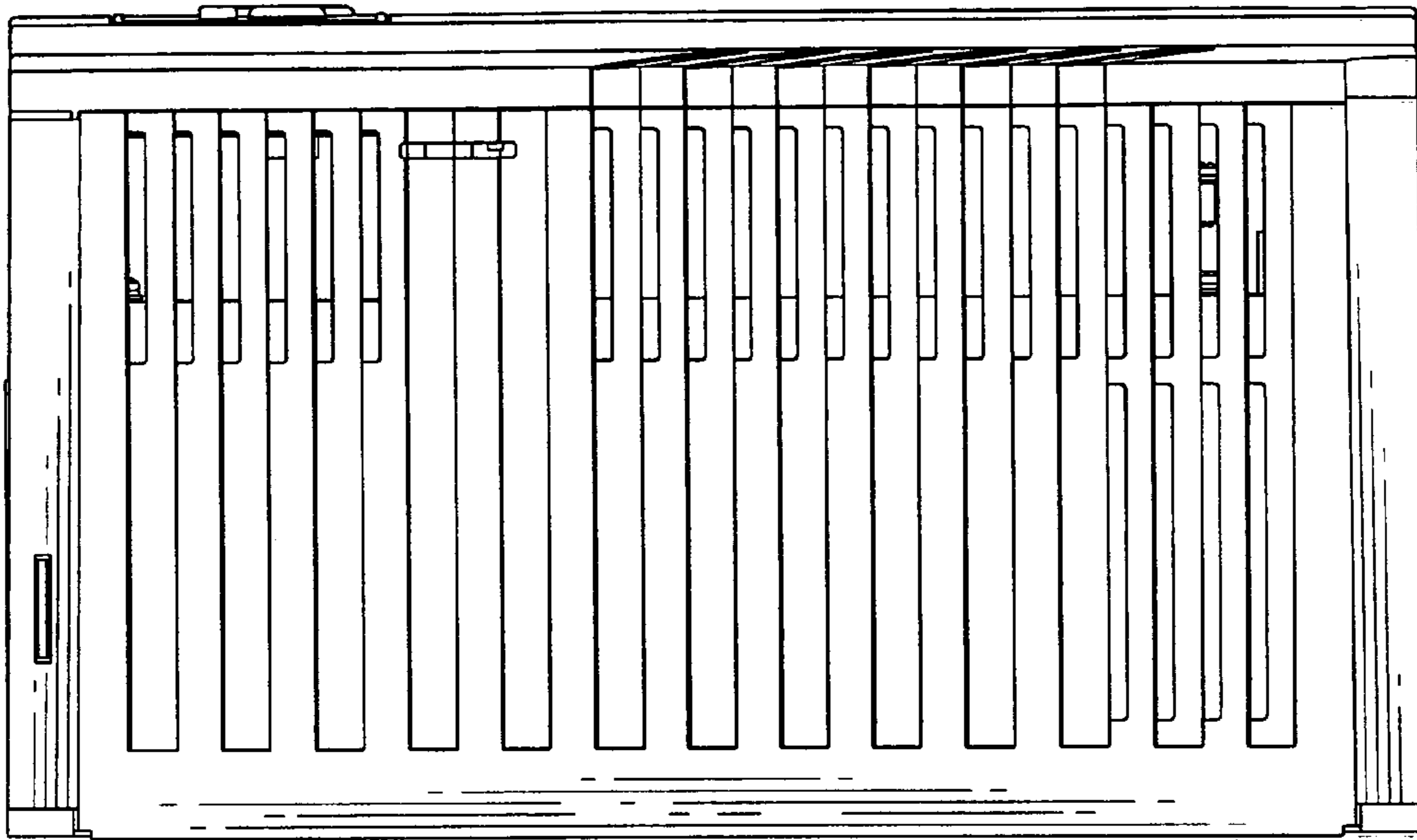


FIG. 5

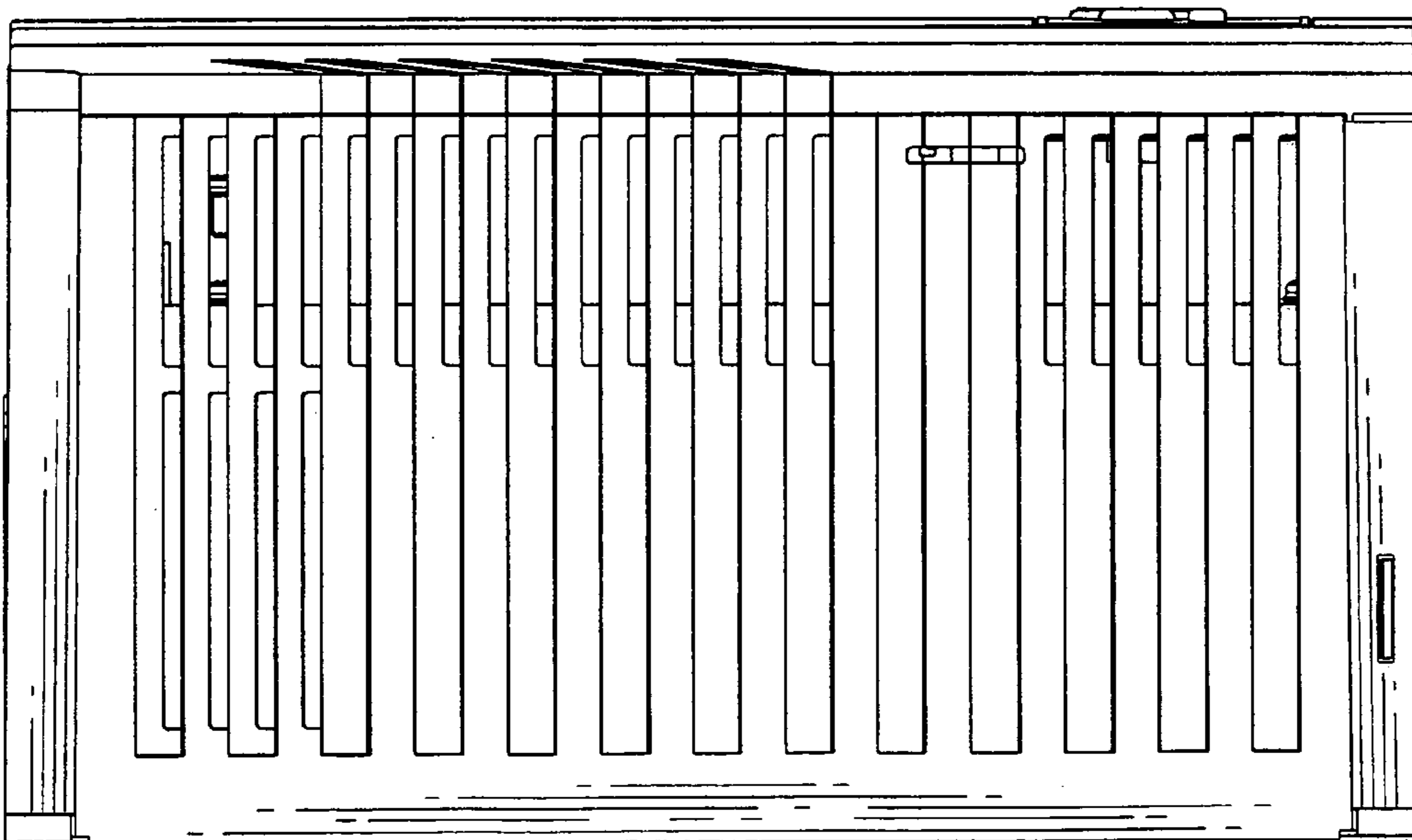


FIG. 6

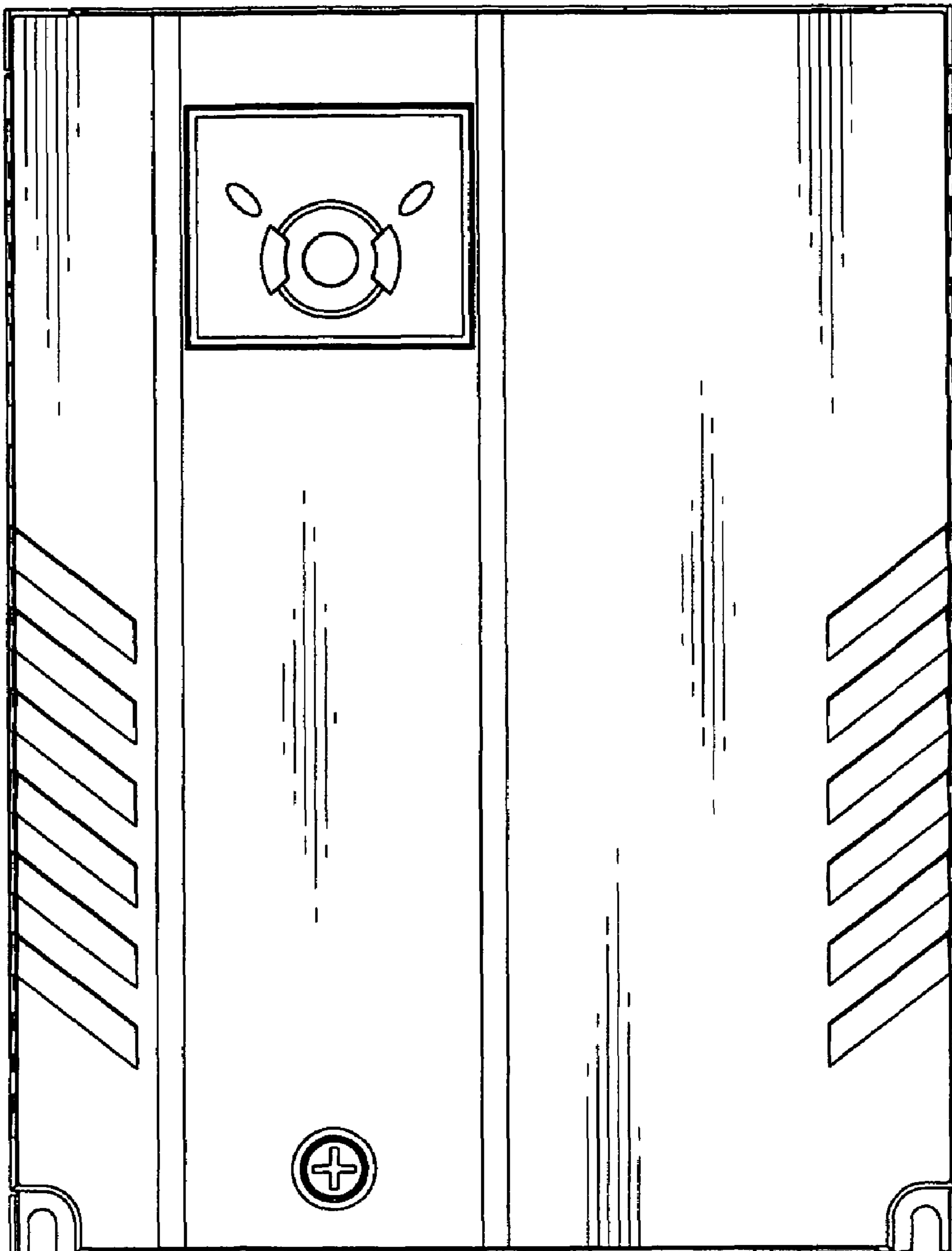


FIG. 7

