



US00D558140S

(12) **United States Design Patent**
Kumano

(10) **Patent No.:** **US D558,140 S**

(45) **Date of Patent:** **** Dec. 25, 2007**

(54) **BATTERY**

(75) Inventor: **Daigaku Kumano**, Tokyo (JP)

(73) Assignee: **Sony Corporation**, Tokyo (JP)

(**) Term: **14 Years**

(21) Appl. No.: **29/272,673**

(22) Filed: **Feb. 15, 2007**

(30) **Foreign Application Priority Data**

Oct. 26, 2006 (JP) D2006-029272

(51) **LOC (8) Cl.** **13-02**

(52) **U.S. Cl.** **D13/103**

(58) **Field of Classification Search** D13/102-106,
D13/110, 118-119, 184; 429/96-100, 163,
429/176

See application file for complete search history.

(56) **References Cited**

U.S. PATENT DOCUMENTS

D425,015 S *	5/2000	Iwamoto	D13/103
D427,143 S *	6/2000	Kulberg	D13/103
D431,227 S	9/2000	Ogasawara		
D431,808 S *	10/2000	Ogasawara	D13/103
D448,003 S *	9/2001	Ogasawara	D13/103
D461,163 S *	8/2002	Hirano et al.	D13/103
D477,275 S *	7/2003	Wada	D13/103
D510,906 S *	10/2005	Vinciarelli et al.	D13/110

D515,025 S	2/2006	Yokota		
D517,475 S *	3/2006	Yokota	D13/103
D519,919 S *	5/2006	Yokota	D13/103
D520,942 S	5/2006	Yokota		
D521,448 S	5/2006	Yokota		
D521,449 S *	5/2006	Yokota	D13/103
D531,575 S *	11/2006	Yamada	D13/103
D535,249 S *	1/2007	Ogasawara	D13/103

* cited by examiner

Primary Examiner—Cathron C. Brooks

Assistant Examiner—Rosemary K. Tarcza

(74) *Attorney, Agent, or Firm*—Rader, Fishman & Grauer PLLC

(57) **CLAIM**

The ornamental design for a battery, as shown.

DESCRIPTION

FIG. 1 is a perspective view of a battery showing my new design;

FIG. 2 is a front elevational view thereof;

FIG. 3 is a rear elevational view thereof;

FIG. 4 is a left side elevational view thereof;

FIG. 5 is a right side elevational view thereof;

FIG. 6 is a top plan view thereof; and,

FIG. 7 is a bottom plan view thereof.

1 Claim, 7 Drawing Sheets

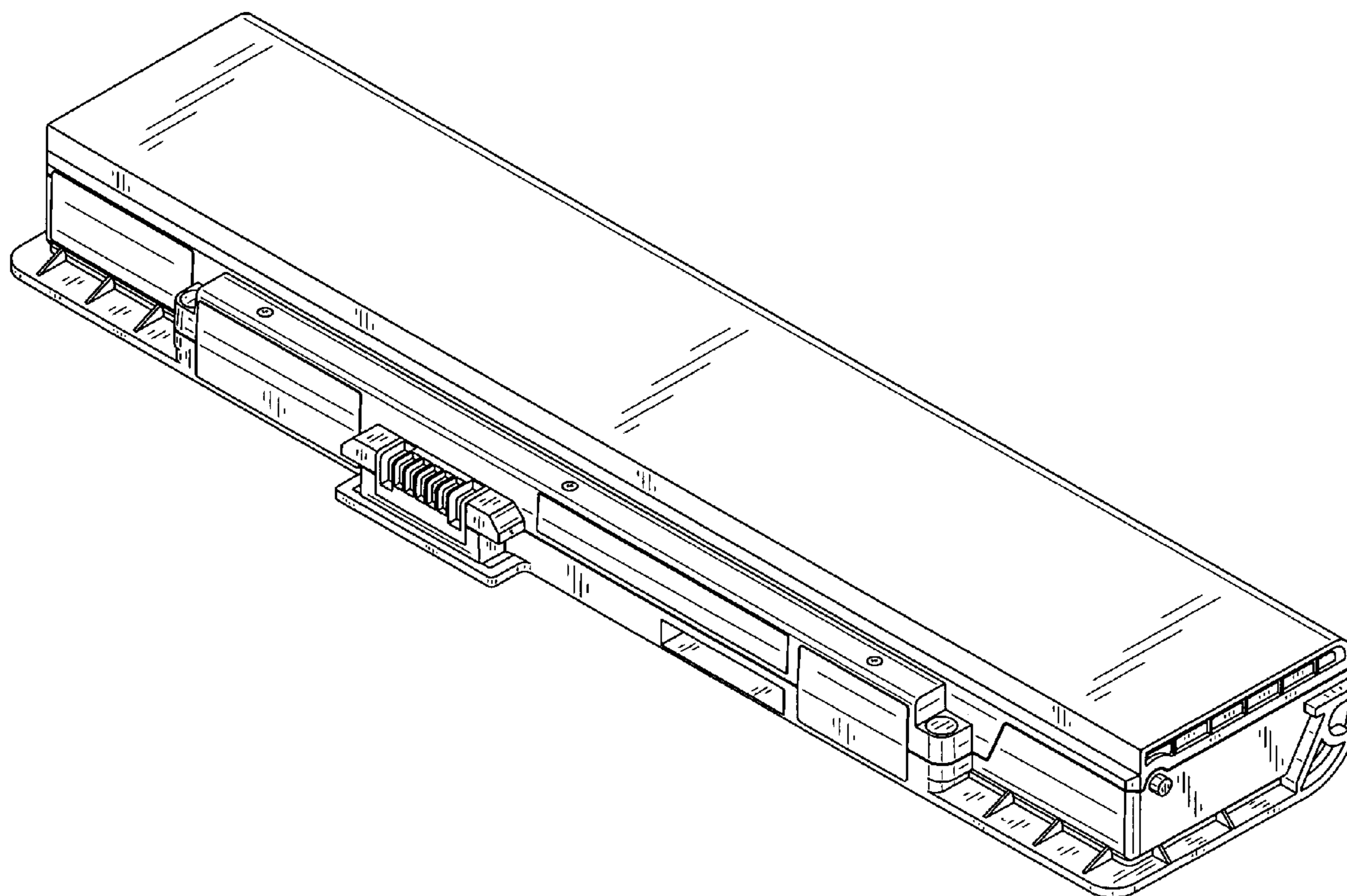


Fig.1

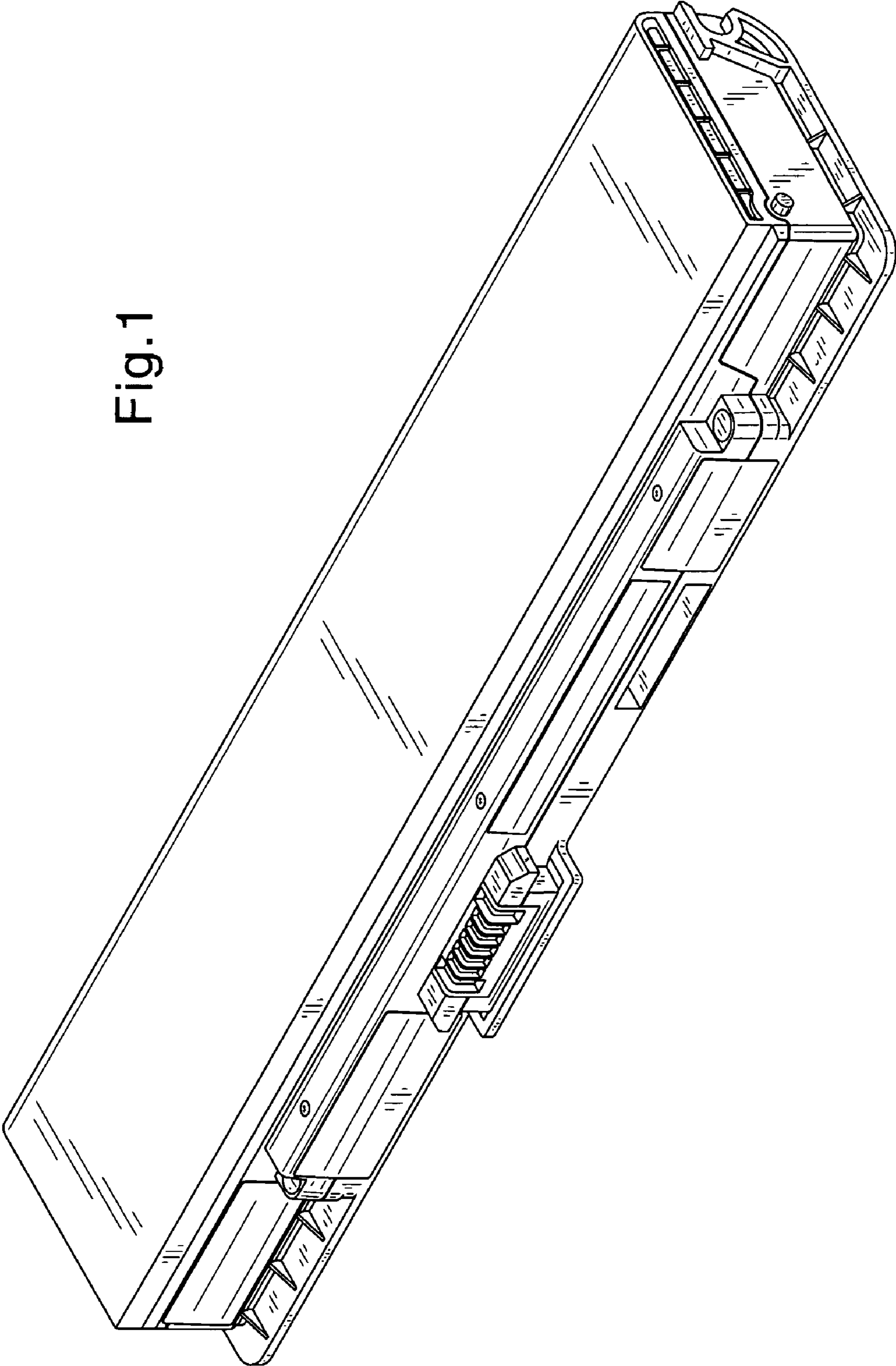


Fig. 2

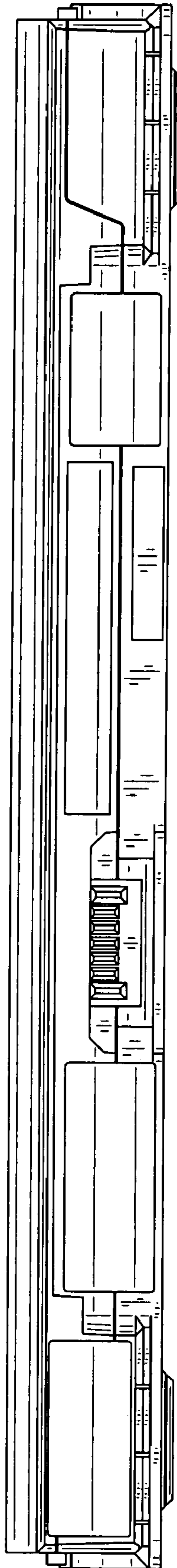


Fig.3

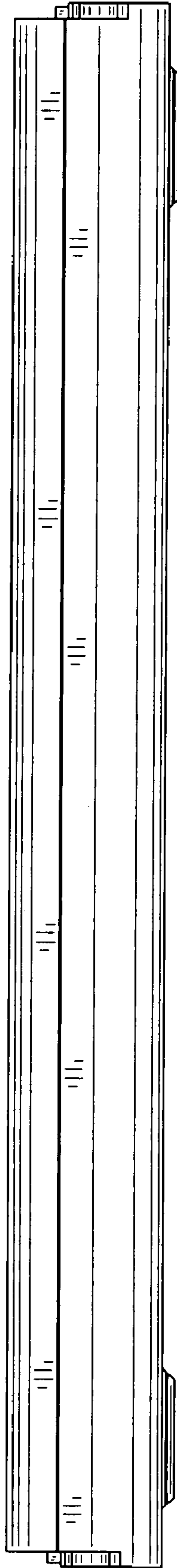


Fig. 4

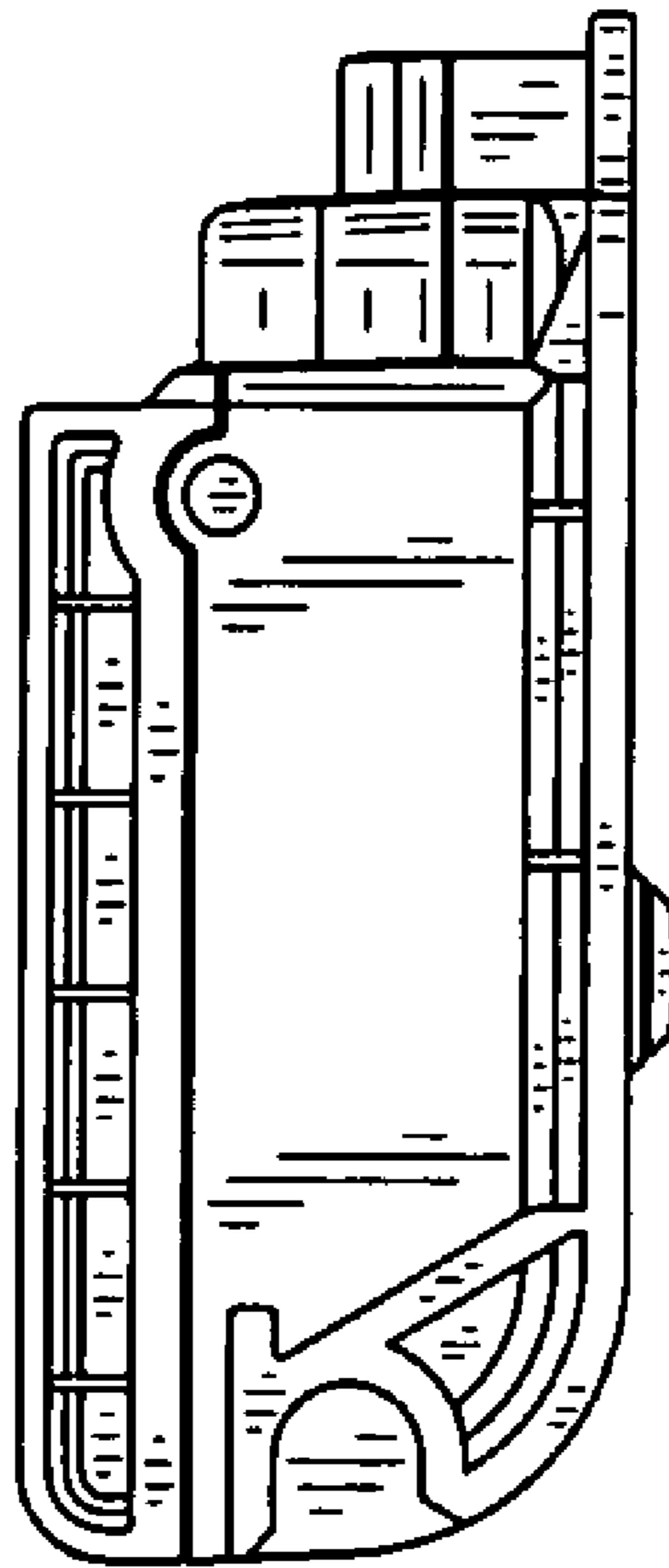


Fig. 5

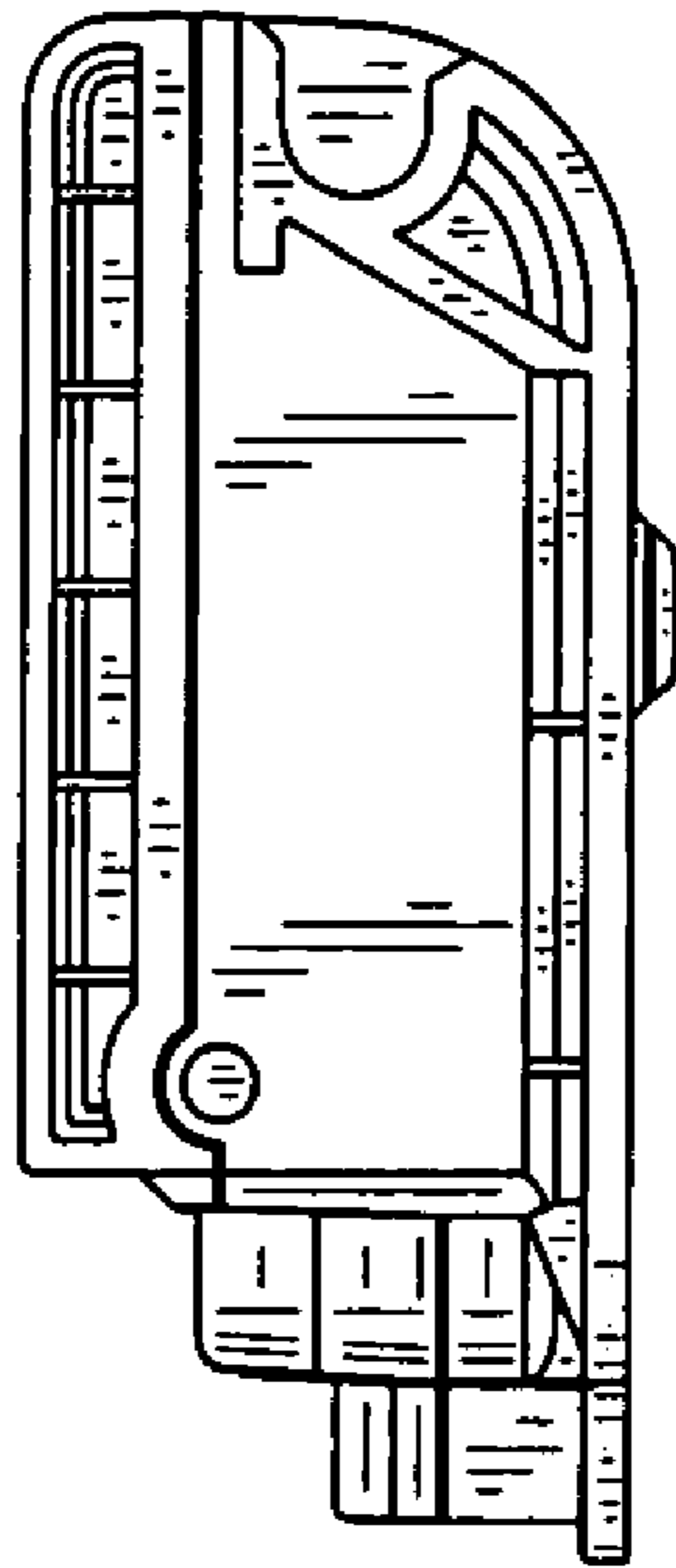


Fig.6

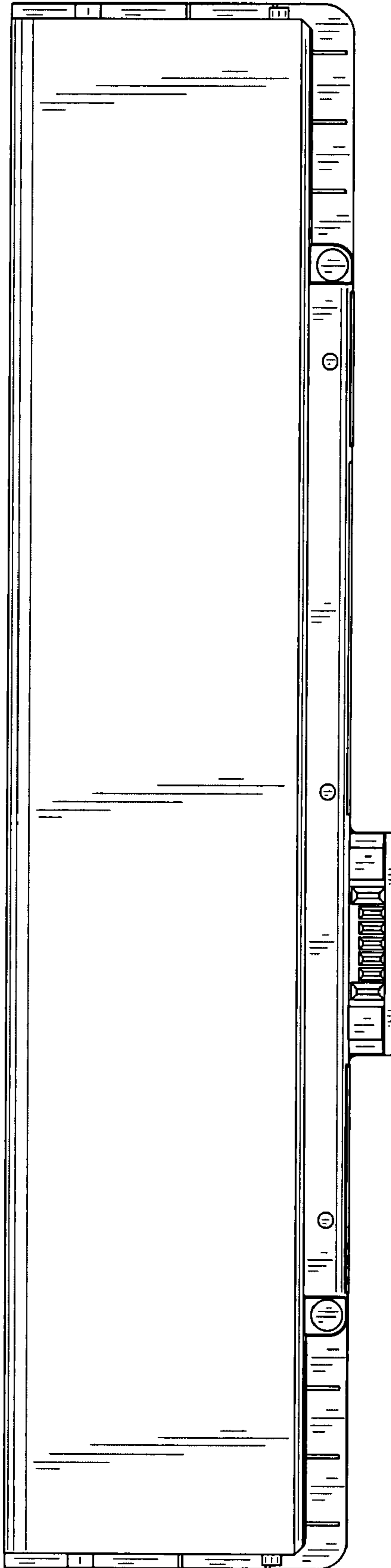


Fig.7

