



US00D558134S

(12) **United States Design Patent**  
**Graas et al.**

(10) **Patent No.:** **US D558,134 S**

(45) **Date of Patent:** **\*\* \*Dec. 25, 2007**

(54) **TIRE TREAD**

D451,449 S 12/2001 Maxwell ..... D12/147  
D496,324 S 9/2004 Graas et al. .... D12/541

(75) Inventors: **Maurice Graas**, Reichlange (LU);  
**Roland Andre Terver**, Bissen (LU)

\* cited by examiner

(73) Assignee: **The Goodyear Tire & Rubber Company**, Akron, OH (US)

*Primary Examiner*—Robert M. Spear  
*Assistant Examiner*—Katrina A. Kile  
(74) *Attorney, Agent, or Firm*—Richard B. O’Planick

(\* ) Notice: This patent is subject to a terminal disclaimer.

(57) **CLAIM**

(\*\*) Term: **14 Years**

The ornamental design for a tire tread, as shown and described.

(21) Appl. No.: **29/255,794**

**DESCRIPTION**

(22) Filed: **Mar. 10, 2006**

FIG. 1 is a perspective view of a tire tread showing our new design, it being understood that the pattern repeats uniformly throughout the circumference of the tread;

(51) **LOC (8) Cl.** ..... **12-15**

(52) **U.S. Cl.** ..... **D12/544**

(58) **Field of Classification Search** ..... D12/544,  
D12/535, 536, 564, 565, 571, 579, 585, 597,  
D12/600, 601, 603, 605; 152/209.1, 209.8,  
152/209.18, 209.25, 209.28

FIG. 2 is a front elevational view thereof;

FIG. 3 is a right side elevational view thereof; the other side being a mirror image thereof; and,

See application file for complete search history.

FIG. 4 is an enlarged fragmentary front elevational view thereof.

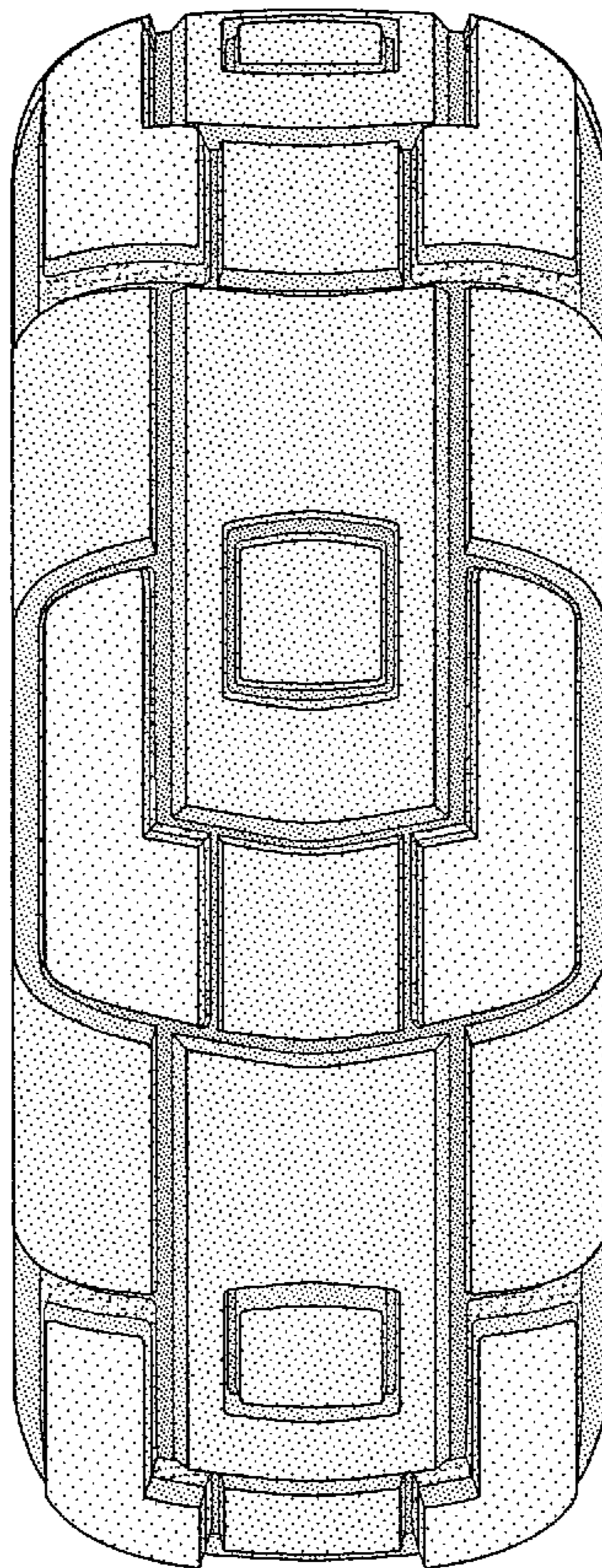
(56) **References Cited**

In the drawings, the broken lines defining the sidewall, inner bead and the peripheral boundary between the tire tread and the sidewall are for illustrative purposes only and form no part of the claimed design.

**U.S. PATENT DOCUMENTS**

D60,753 S \* 4/1922 Lightfoot ..... D12/535  
D400,141 S 10/1998 Maxwell ..... D12/149  
D444,108 S 6/2001 Maxwell ..... D12/147

**1 Claim, 4 Drawing Sheets**



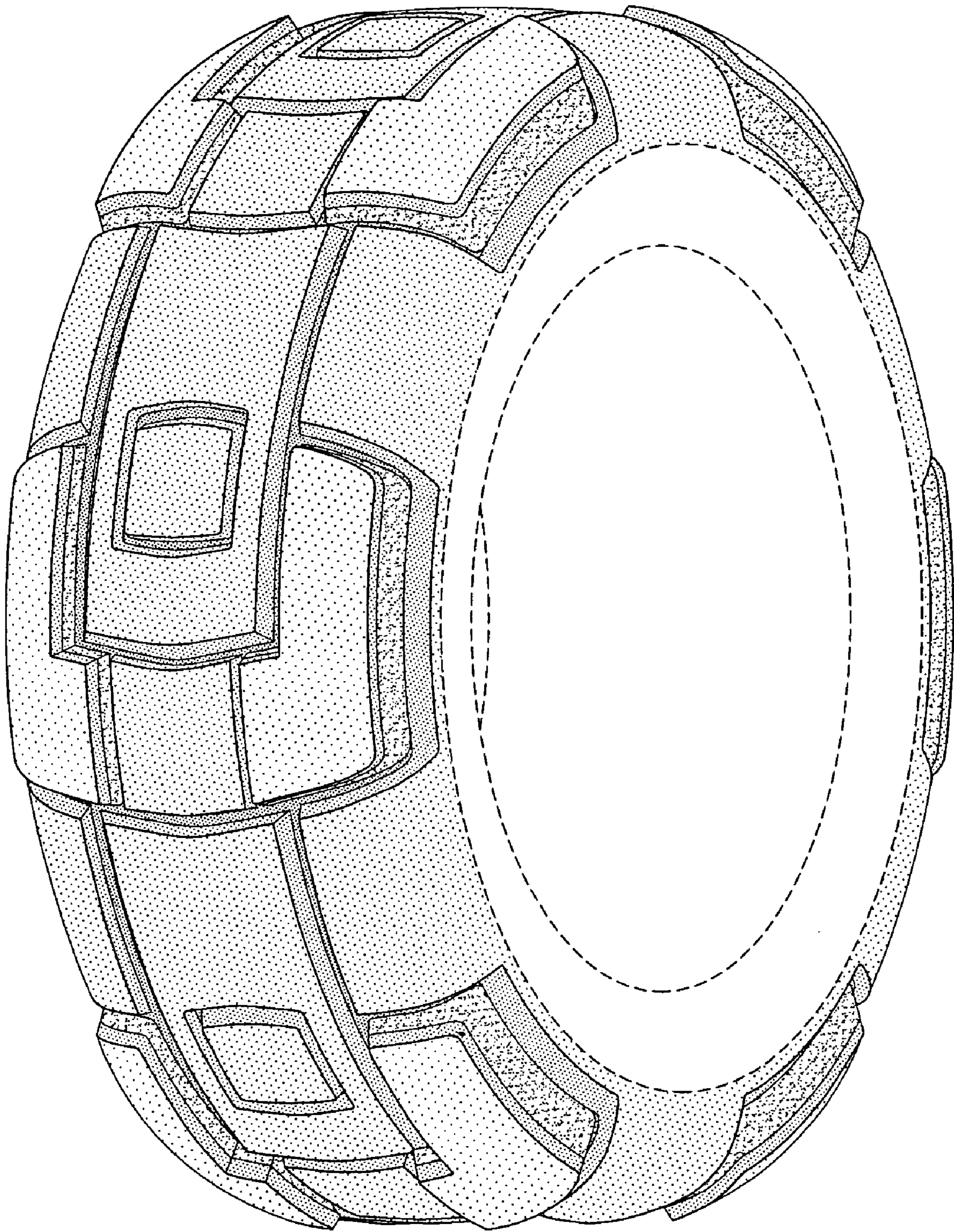


FIG-1

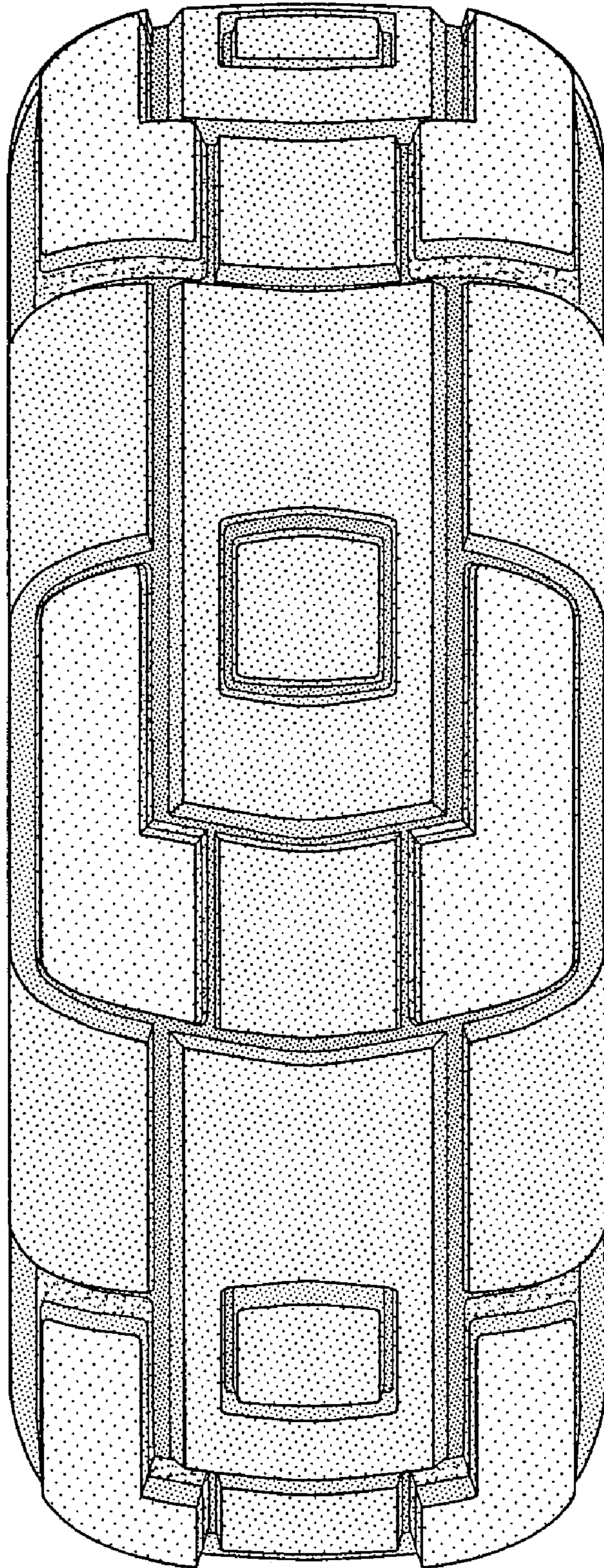


FIG-2

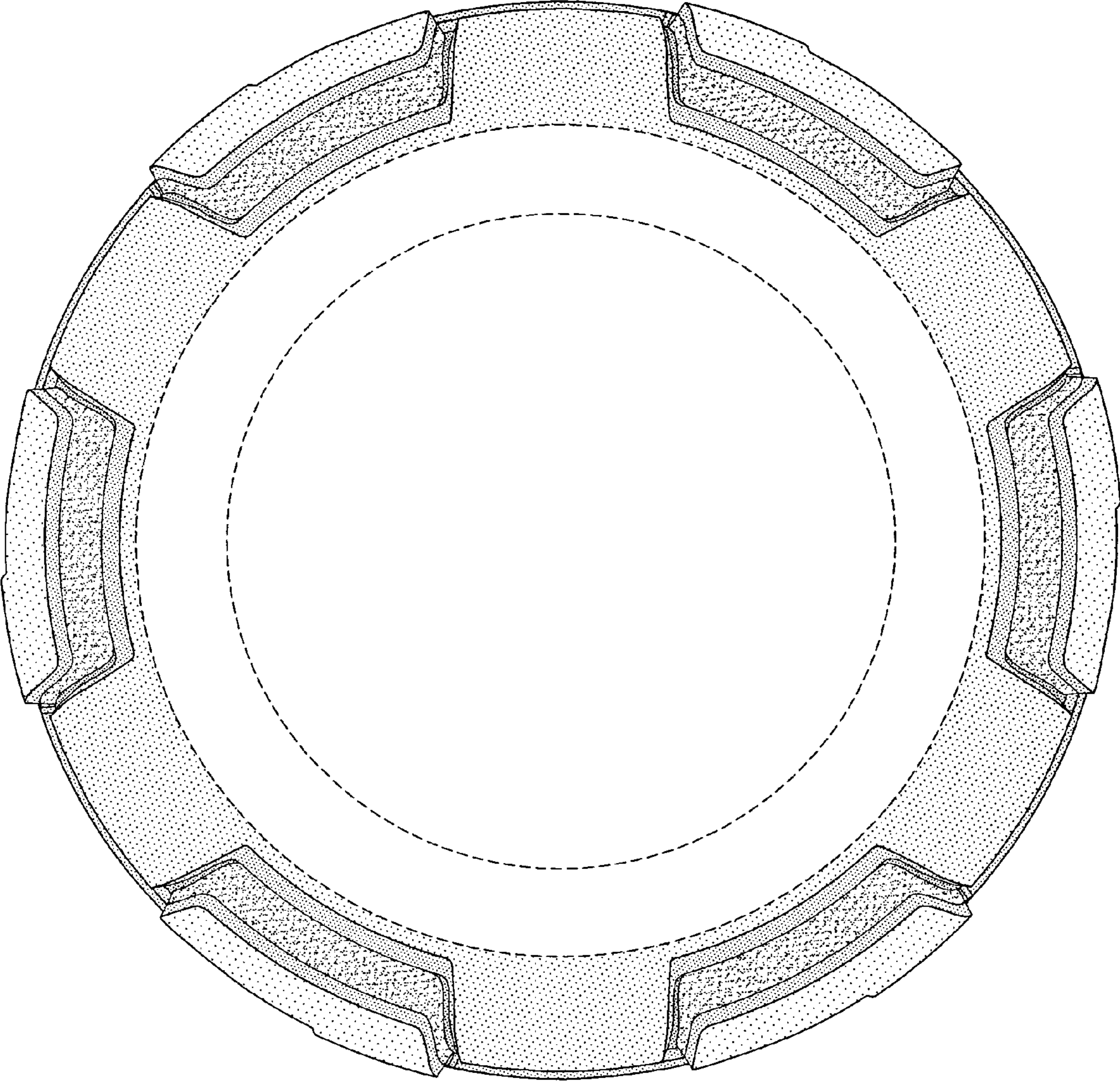


FIG-3

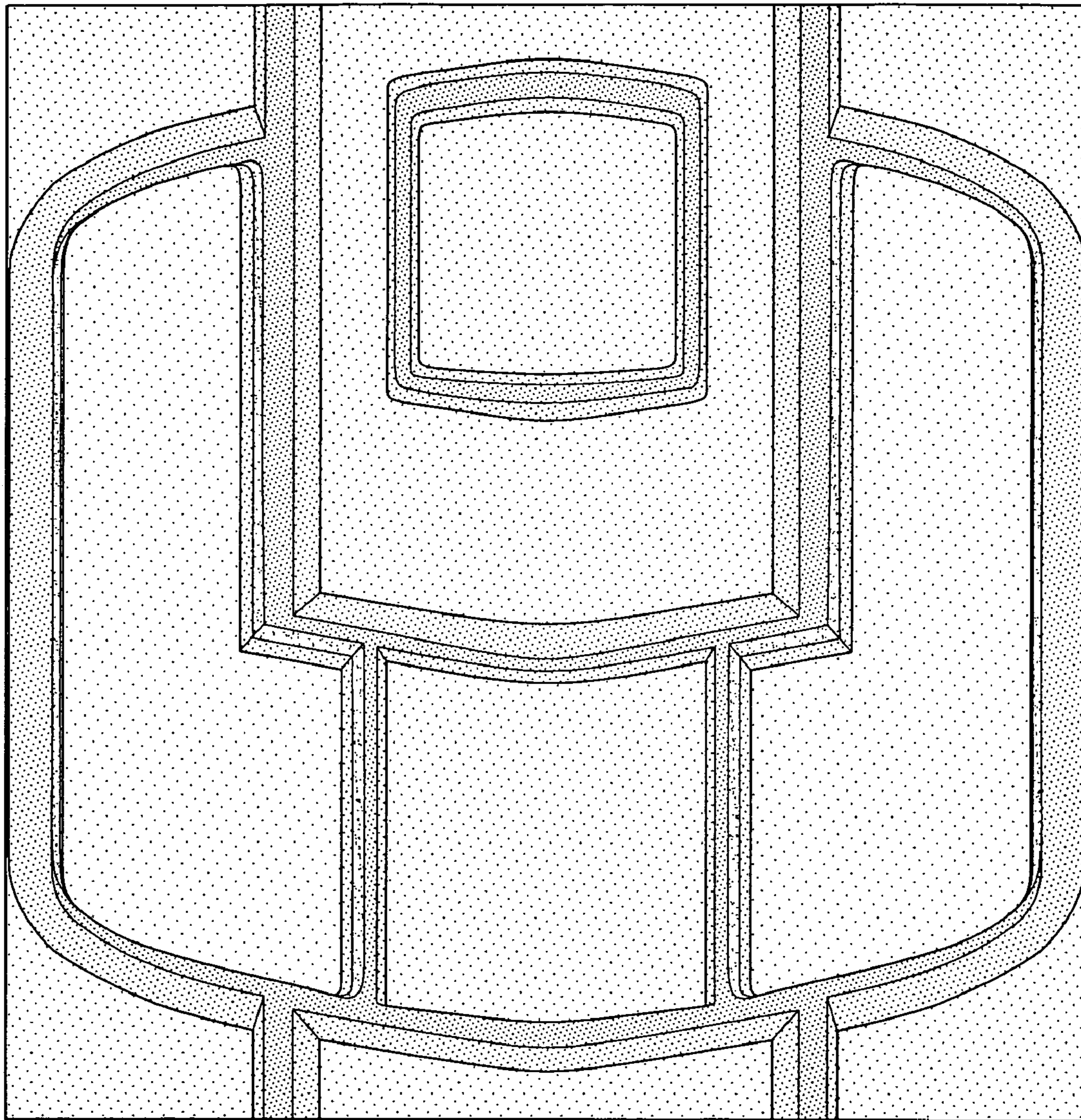


FIG-4