



US00D558124S

(12) **United States Design Patent**
Vitito

(10) **Patent No.:** **US D558,124 S**

(45) **Date of Patent:** **** Dec. 25, 2007**

(54) **OVERHEAD AUTOMOBILE CONSOLE**

(76) Inventor: **Christopher J. Vitito**, 514
Longmeadow St., Celebration, FL (US)
34747

(**) Term: **14 Years**

(21) Appl. No.: **29/274,323**

(22) Filed: **Apr. 16, 2007**

(51) **LOC (8) Cl.** **12-16**

(52) **U.S. Cl.** **D12/418**

(58) **Field of Classification Search** D12/415,
D12/418, 400, 195; D14/124, 126, 129,
D14/113, 132-133, 100; 296/37.1-37.8,
296/70, 24.1, 929, 534; 224/311, 539; 180/90;
439/34; 361/683

See application file for complete search history.

(56) **References Cited**

U.S. PATENT DOCUMENTS

D297,527 S	9/1988	Iacovelli	
D339,780 S	9/1993	Burdick	
D413,856 S	9/1999	Scribner	
D456,789 S	5/2002	Snyker	
D467,562 S	12/2002	Chang	
D469,068 S	1/2003	Furusawa	
D473,841 S *	4/2003	Kendrick, III D12/418

D489,044 S	4/2004	Bremenkamp et al.	
D508,900 S	8/2005	Kawano et al.	
D510,329 S	10/2005	Vitito	
D511,332 S *	11/2005	Vitito D14/132
D511,756 S	11/2005	Matsuoka	
D512,973 S	12/2005	Schedivy	
D535,246 S *	1/2007	Vitito D12/418
D541,730 S *	5/2007	Vitito D12/418
2006/0070103 A1	3/2006	Vitito	

* cited by examiner

Primary Examiner—Stacia Cadmus

(74) *Attorney, Agent, or Firm*—Welsh & Flaxman LLC

(57) **CLAIM**

The ornamental design for an overhead automobile console, as shown and described.

DESCRIPTION

FIG. 1 is a perspective view of an overhead automobile console showing my new design.

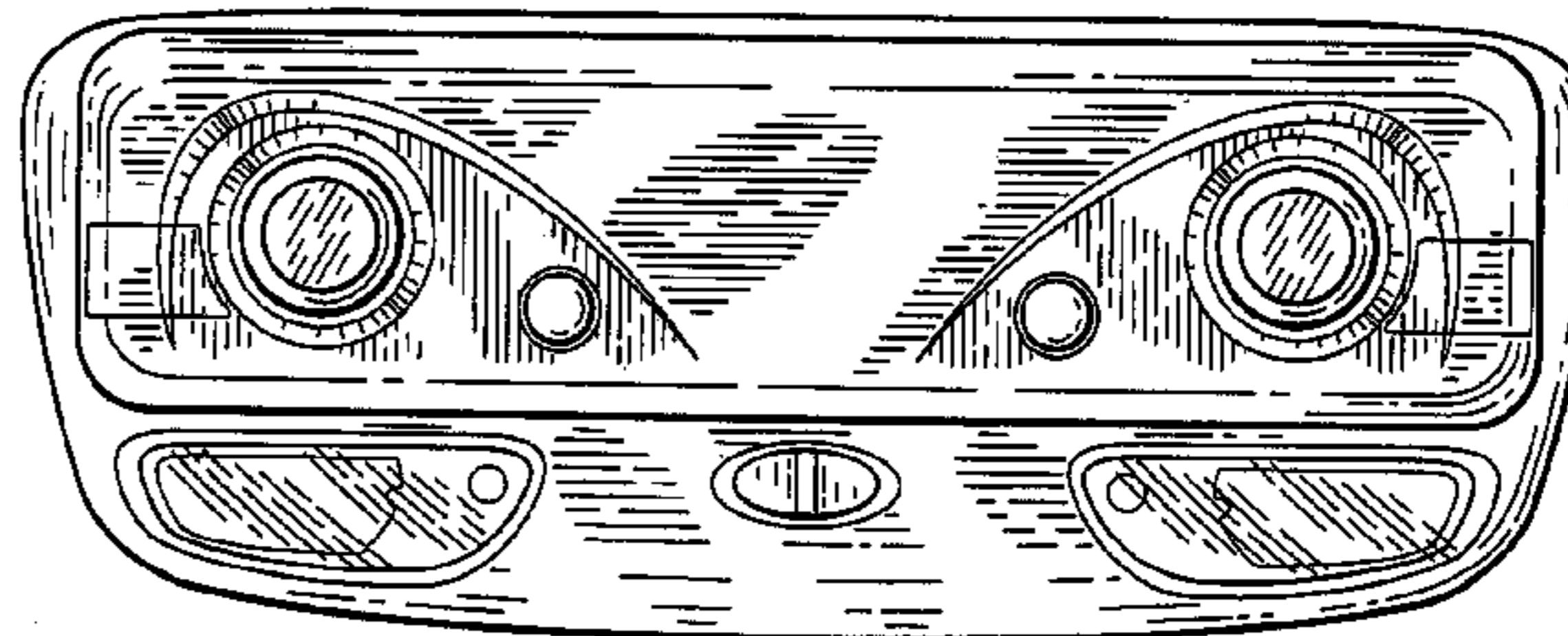
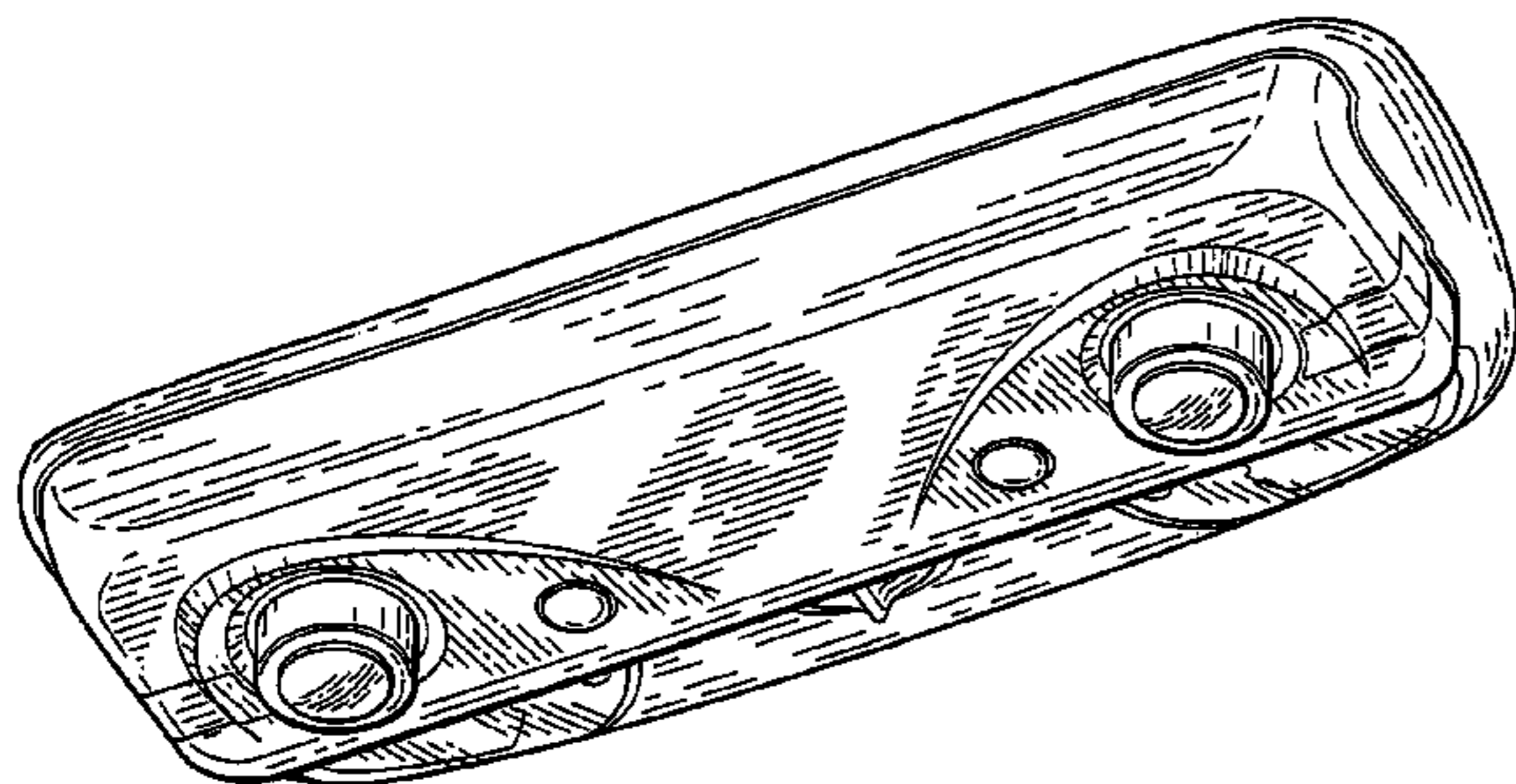
FIG. 2 is a bottom plan view of thereof.

FIG. 3 is a front plan view of thereof.

FIG. 4 is a rear plan view of thereof; and,

FIG. 5 is a side view of thereof wherein the opposite side view is identical.

1 Claim, 2 Drawing Sheets



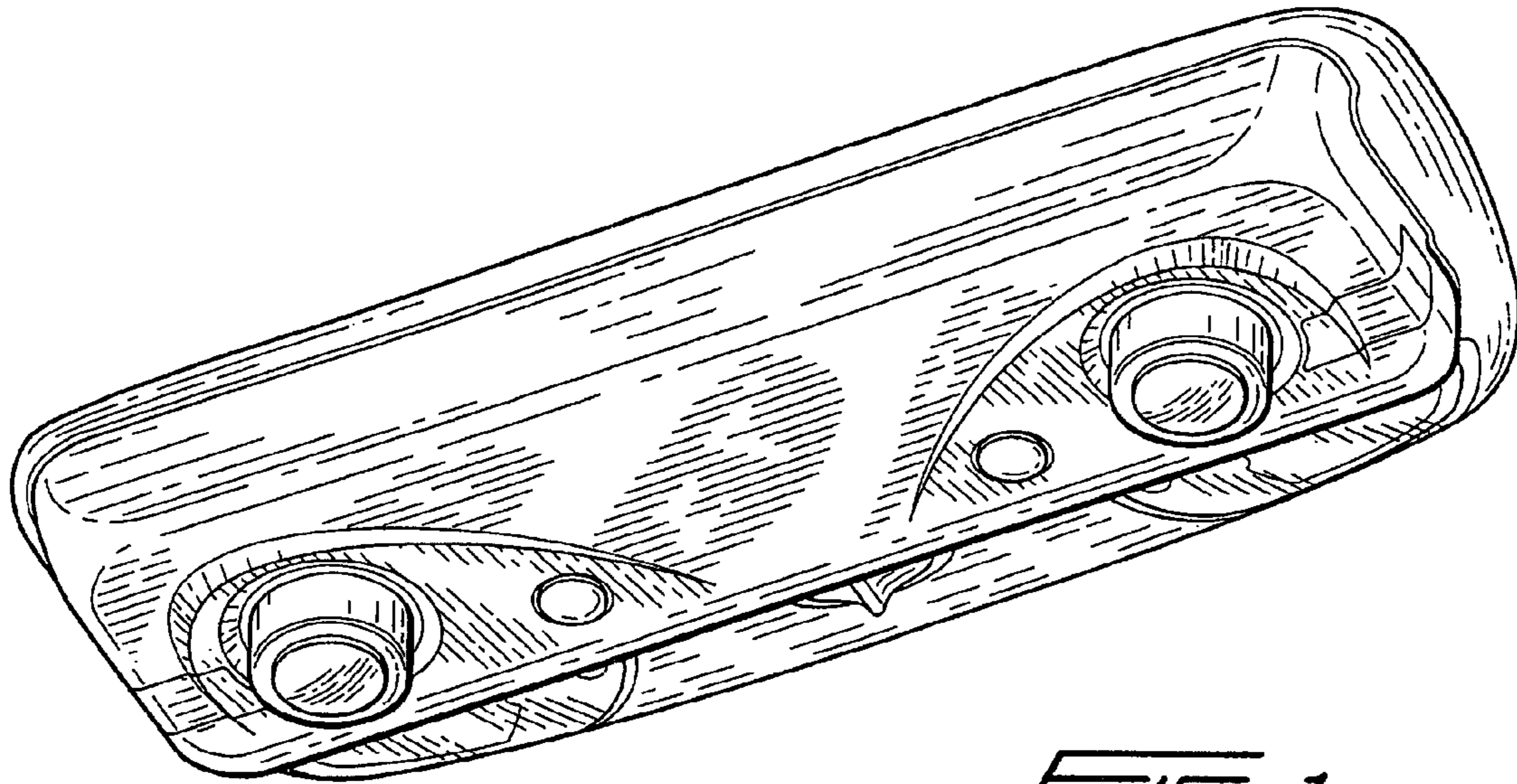


FIG. 1

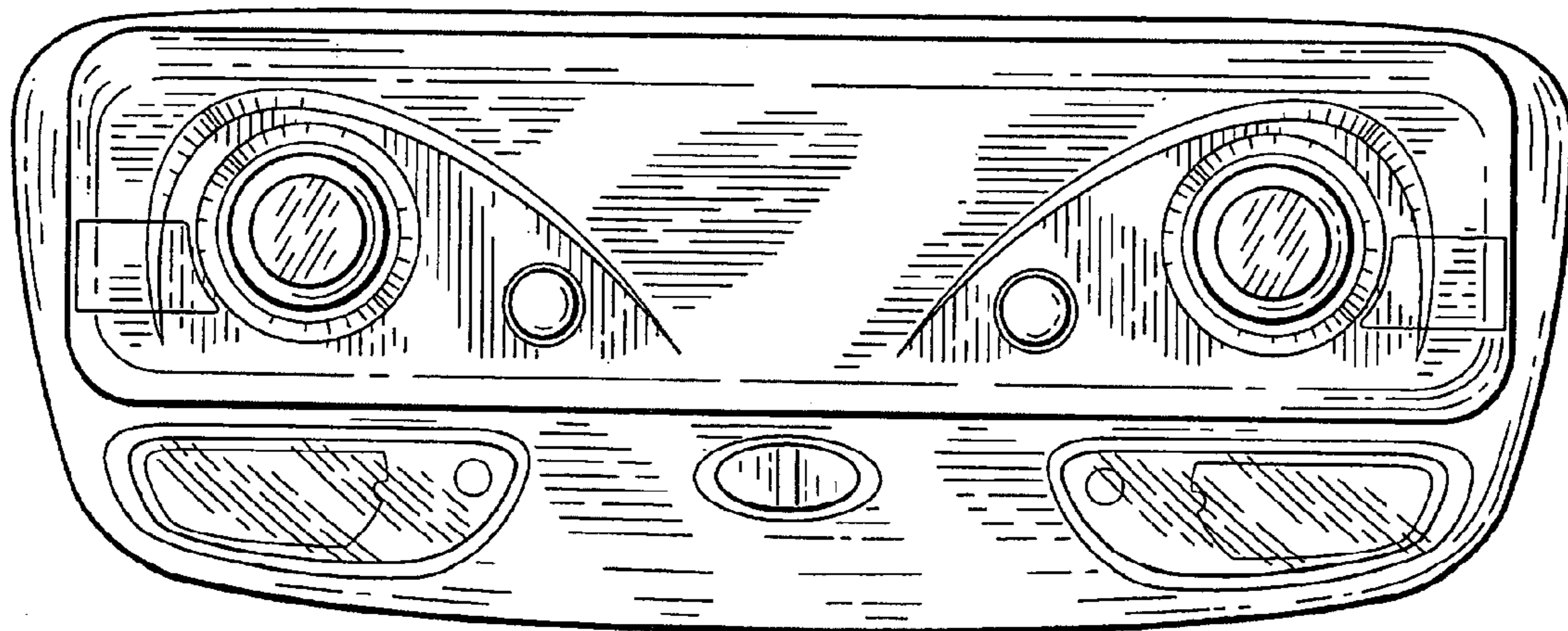


FIG. 2

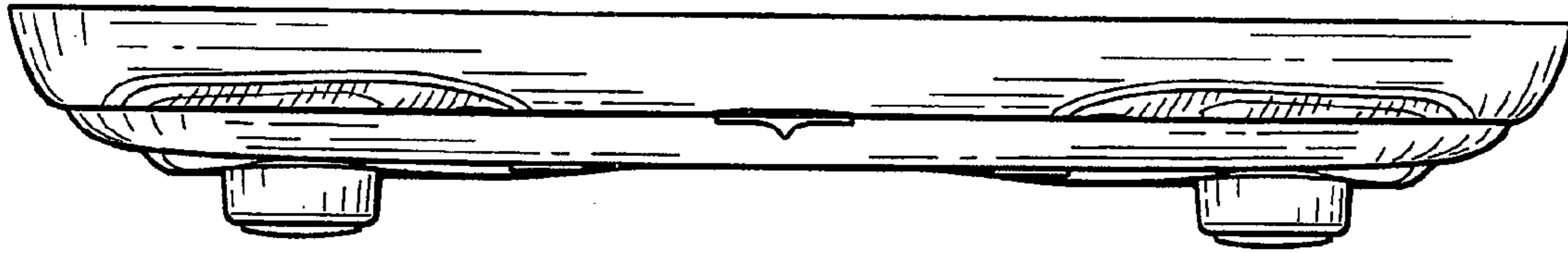


FIG. 3

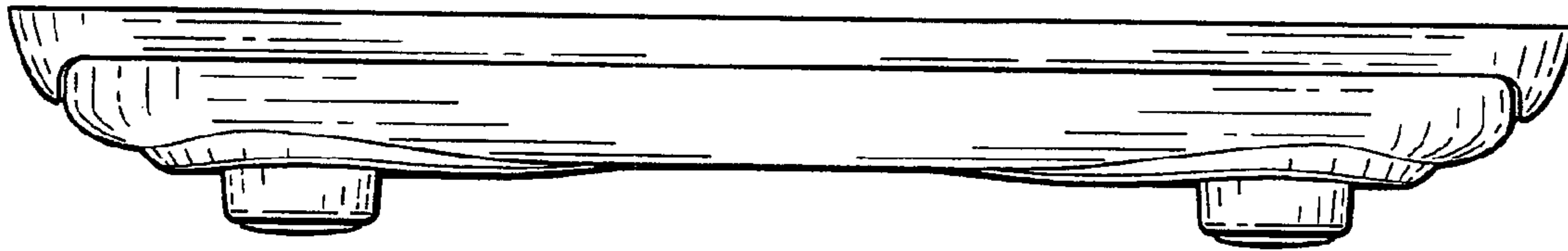


FIG. 4

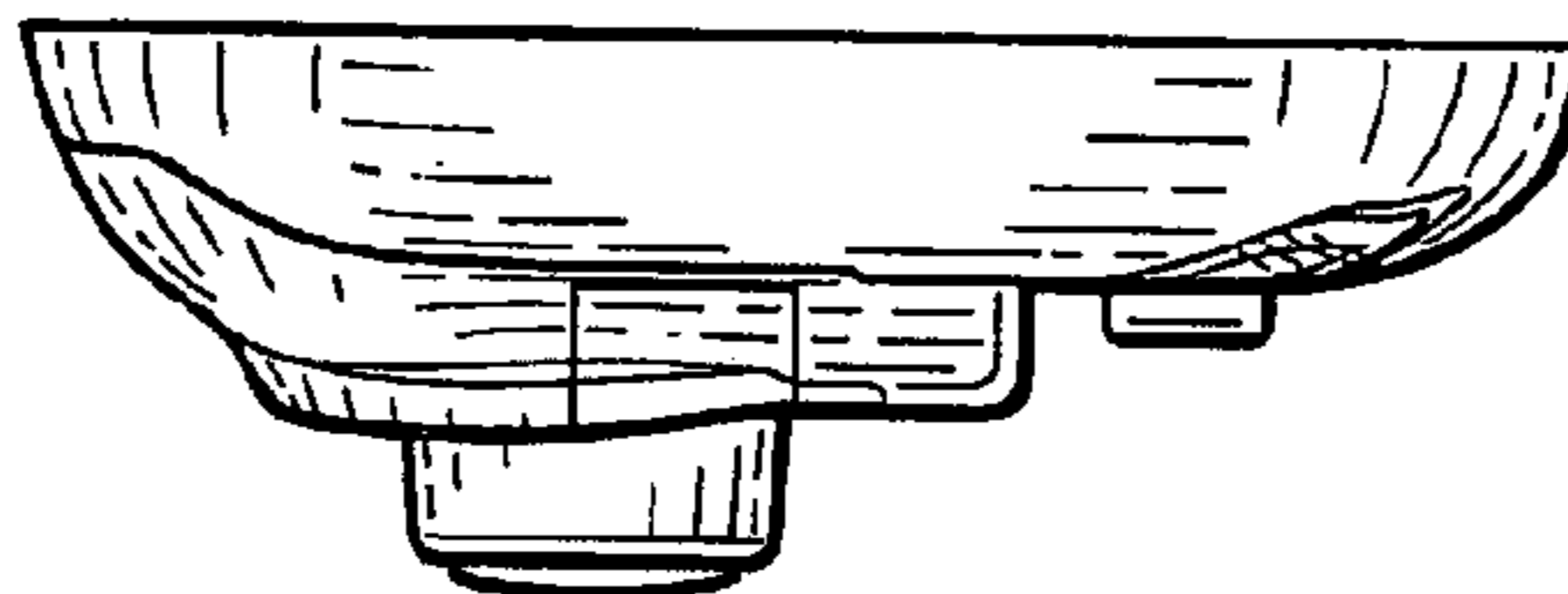


FIG. 5