



US00D558120S

(12) **United States Design Patent**  
**Watson et al.**

(10) **Patent No.:** **US D558,120 S**

(45) **Date of Patent:** **\*\* Dec. 25, 2007**

(54) **FUEL TANK ADAPTER FLANGE FOR  
SENDER AND VENT**

(76) Inventors: **Kenneth A. Watson**, 10240 SE. Mather Rd., Clackamas, OR (US) 97015; **John A. Loffink**, 10240 SE. Mather Rd., Clackamas, OR (US) 97015

(\*\*) Term: **14 Years**

(21) Appl. No.: **29/266,454**

(22) Filed: **Sep. 20, 2006**

(51) **LOC (8) Cl.** ..... **12-06**

(52) **U.S. Cl.** ..... **D12/218**

(58) **Field of Classification Search** ..... D12/14,  
D12/82, 93-100, 110, 114, 218, 197; D23/240-265;  
220/86.2; 285/12, 80, 92, 355, 390, 392,  
285/148.18-148.25; 141/383, 286, 302;  
180/69.4, 225, 219; 280/833, 835, 288.4;  
D15/1-5; 137/43, 197, 202, 587-589  
See application file for complete search history.

(56) **References Cited**

U.S. PATENT DOCUMENTS

1,866,644	A *	7/1932	Greer	.....	285/238
D262,956	S *	2/1982	McNab et al.	.....	D12/218
D275,984	S *	10/1984	Shaw	.....	D23/260
5,195,785	A *	3/1993	Jellison	.....	285/80
5,327,946	A *	7/1994	Perkins	.....	220/86.2
D466,468	S *	12/2002	Watson	.....	D12/218

\* cited by examiner

*Primary Examiner*—Cathron Brooks

*Assistant Examiner*—Linda Brooks

(74) *Attorney, Agent, or Firm*—Ingrid McTaggart

(57) **CLAIM**

We claim the ornamental design for a fuel tank adapter flange for sender and vent, as shown and described.

**DESCRIPTION**

FIG. 1 is a perspective view of the fuel tank adapter flange for sender and vent.

FIG. 2 a side elevational view of the fuel tank adapter flange for sender and vent of FIG. 1 (the opposite side being a mirror image thereof).

FIG. 3 is a right side elevational view of the fuel tank adapter flange for sender and vent of FIG. 1.

FIG. 4 a left side elevational view of the fuel tank adapter flange for sender and vent of FIG. 1.

FIG. 5 a top plan view of the fuel tank adapter flange for sender and vent of FIG. 1; and,

FIG. 6 a bottom plan view of the fuel tank adapter flange for sender and vent of FIG. 1.

The dash lines showing internal threads, and the dash lines showing a larger aperture and five small apertures positioned therearound, form no part of the claimed design. The remaining dash lines represent shading which show the contours of the invention and form part of the claimed design.

**1 Claim, 2 Drawing Sheets**

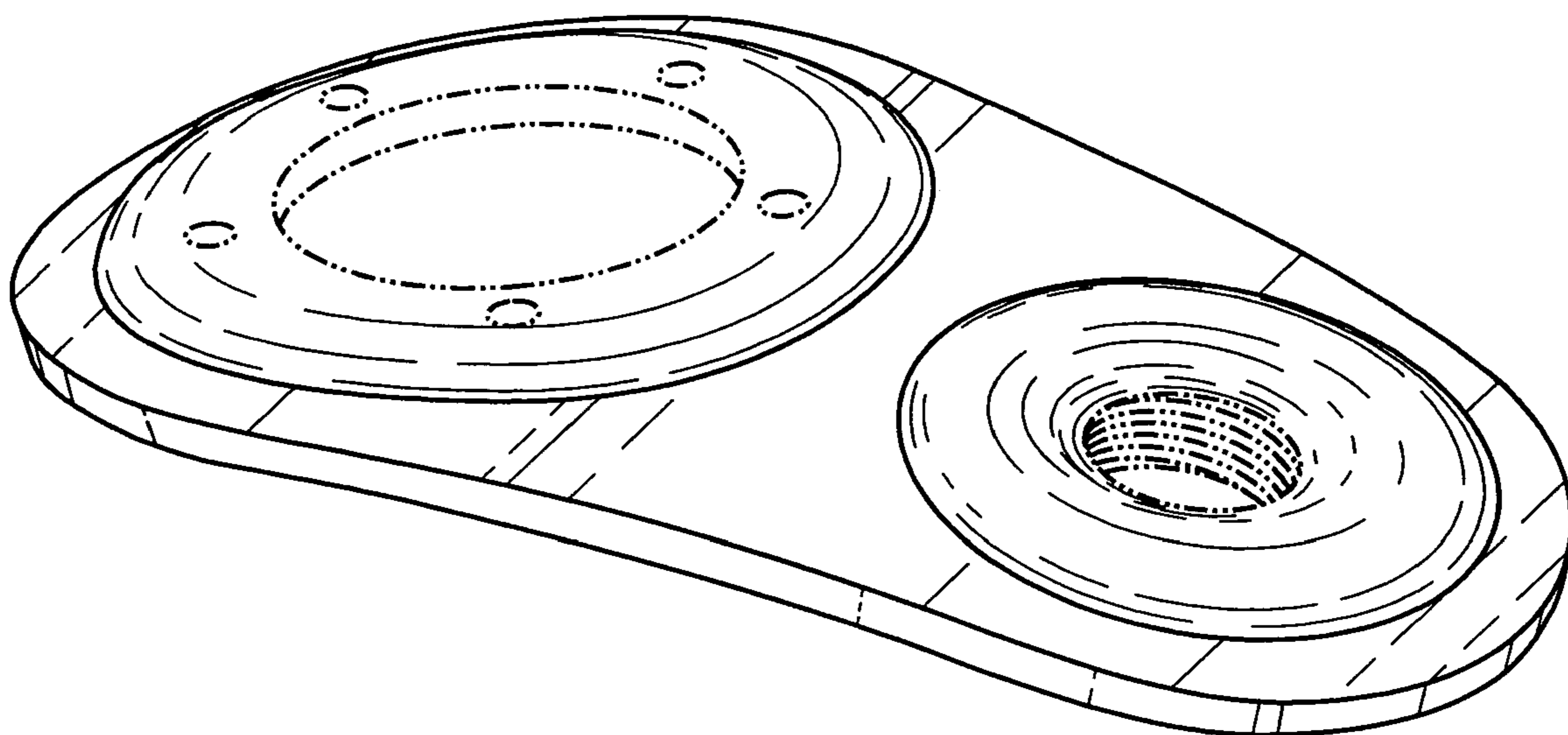


Fig. 1

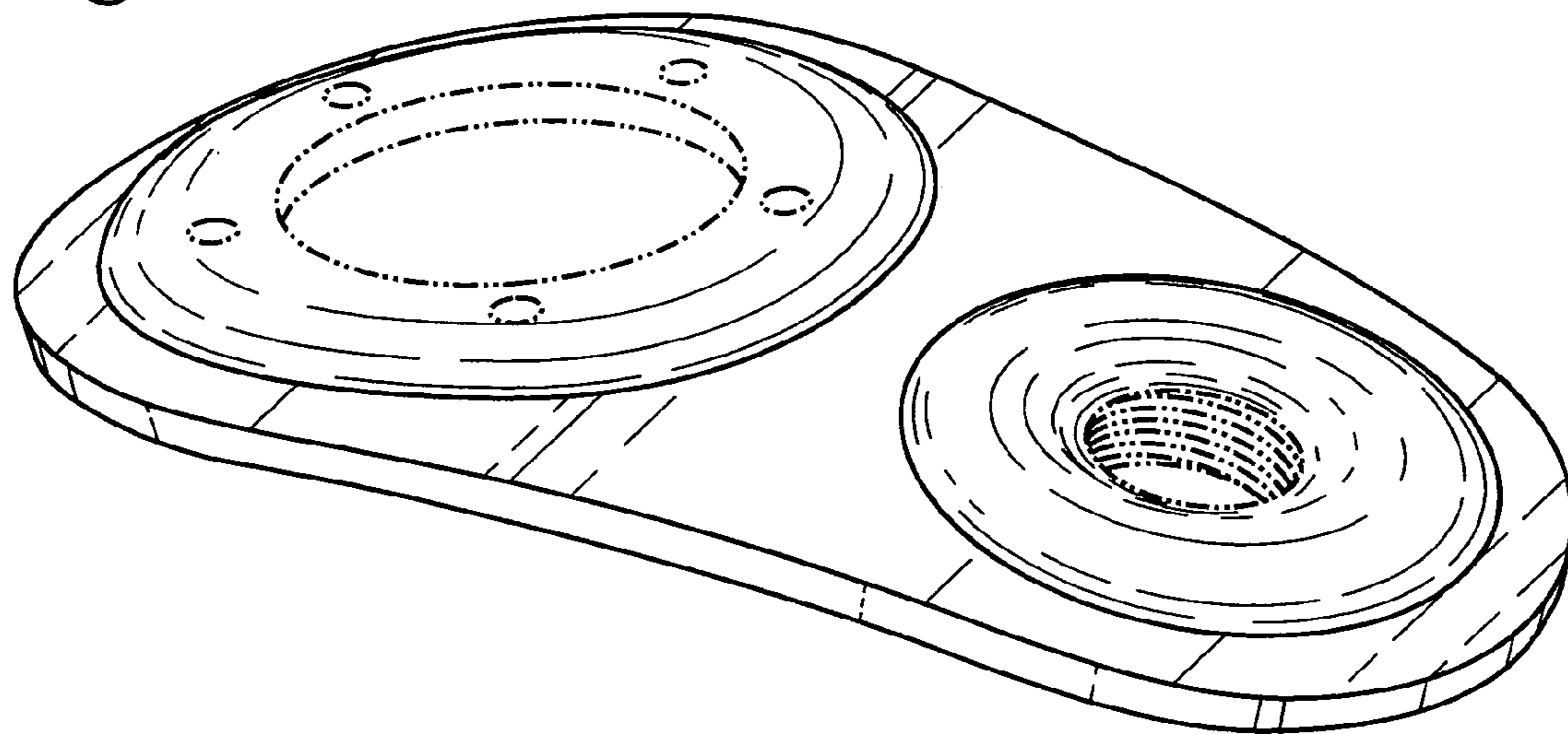


Fig. 2



Fig. 3

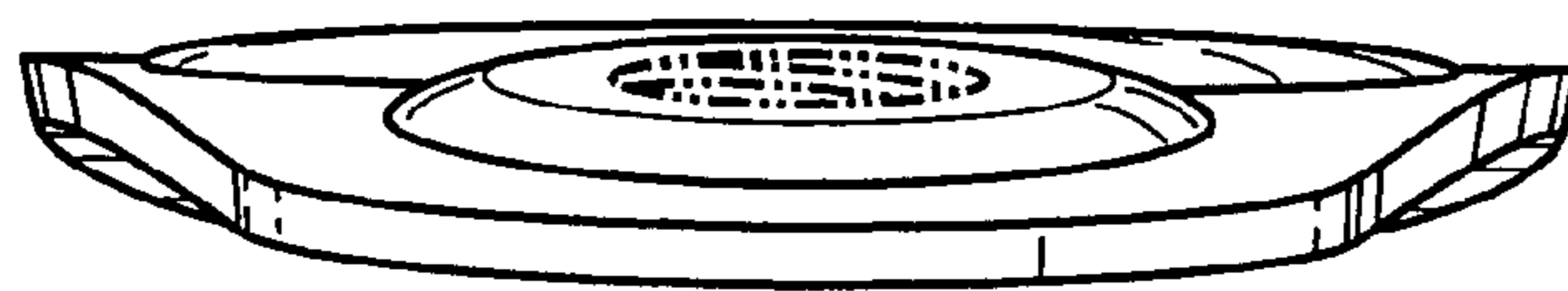


Fig. 4

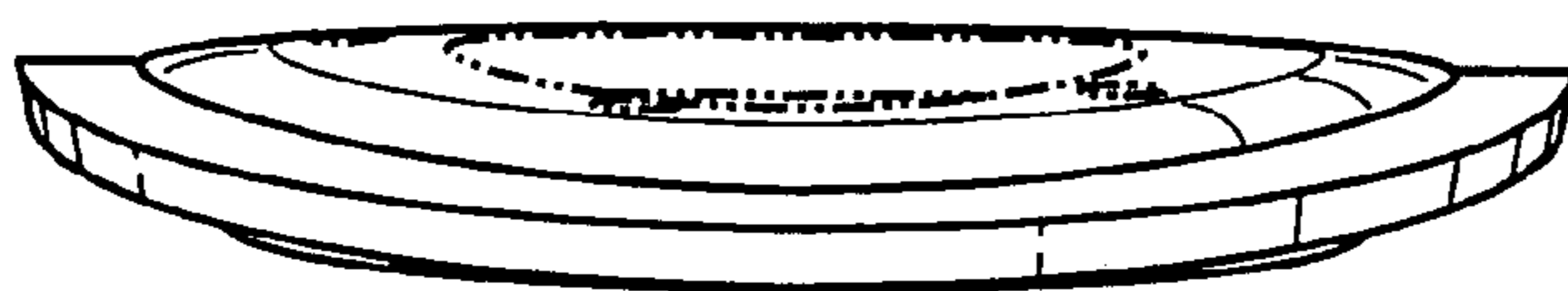


Fig. 5

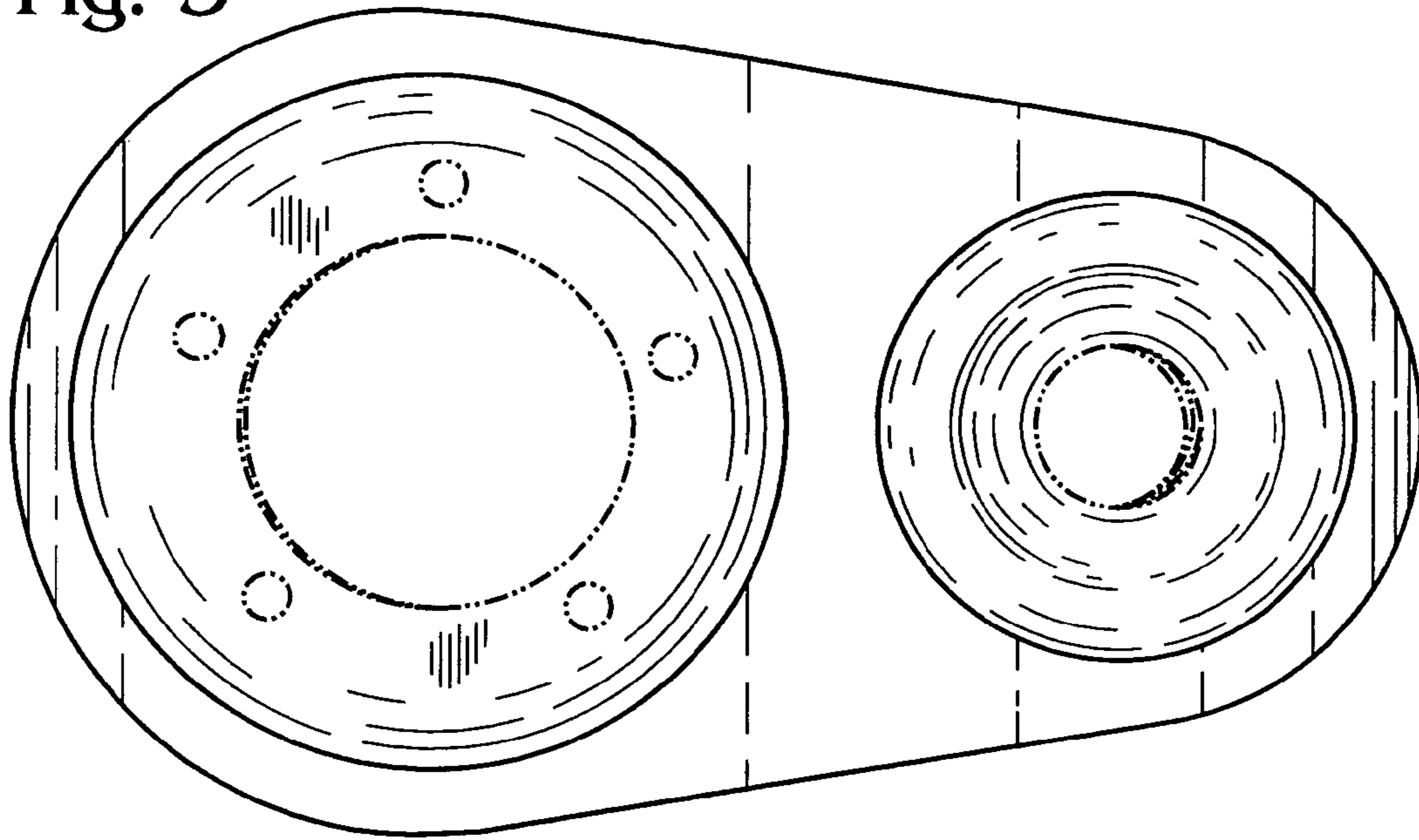


Fig. 6

