

US00D558119S

(12) **United States Design Patent**  
**Guidry**

(10) **Patent No.:** **US D558,119 S**

(45) **Date of Patent:** **\*\* Dec. 25, 2007**

(54) **FRONT FACE OF A VEHICLE WHEEL**

(75) Inventor: **Jason Guidry**, Cerritos, CA (US)

(73) Assignee: **Wheel Pros, Inc.**, Cerritos, CA (US)

(\*\*) Term: **14 Years**

(21) Appl. No.: **29/280,922**

(22) Filed: **Jun. 8, 2007**

(51) **LOC (8) Cl.** ..... **12-16**

(52) **U.S. Cl.** ..... **D12/211**

(58) **Field of Classification Search** ..... D12/204-213;  
301/37.101, 64.101, 65, 64.201

See application file for complete search history.

(56) **References Cited**

**U.S. PATENT DOCUMENTS**

- D258,503 S \* 3/1981 Semple ..... D12/211
- D451,463 S \* 12/2001 Murkett et al. .... D12/209
- D456,333 S \* 4/2002 Pollmann ..... D12/211
- D470,094 S \* 2/2003 van Hooydonk ..... D12/211
- D495,289 S \* 8/2004 Kataoka ..... D12/211

- D497,583 S \* 10/2004 Walbey, Jr. .... D12/209
- D497,864 S \* 11/2004 Cahyono ..... D12/209
- D535,241 S \* 1/2007 Kim ..... D12/211
- D542,209 S \* 5/2007 Pfeiffer ..... D12/211
- D545,750 S \* 7/2007 Young ..... D12/211

\* cited by examiner

*Primary Examiner*—Stacia Cadmus

(74) *Attorney, Agent, or Firm*—Charles C. H. Wu; Wu & Cheung, LLP

(57) **CLAIM**

The ornamental design for the front face of a vehicle wheel, also known as Helo 833 as shown and described.

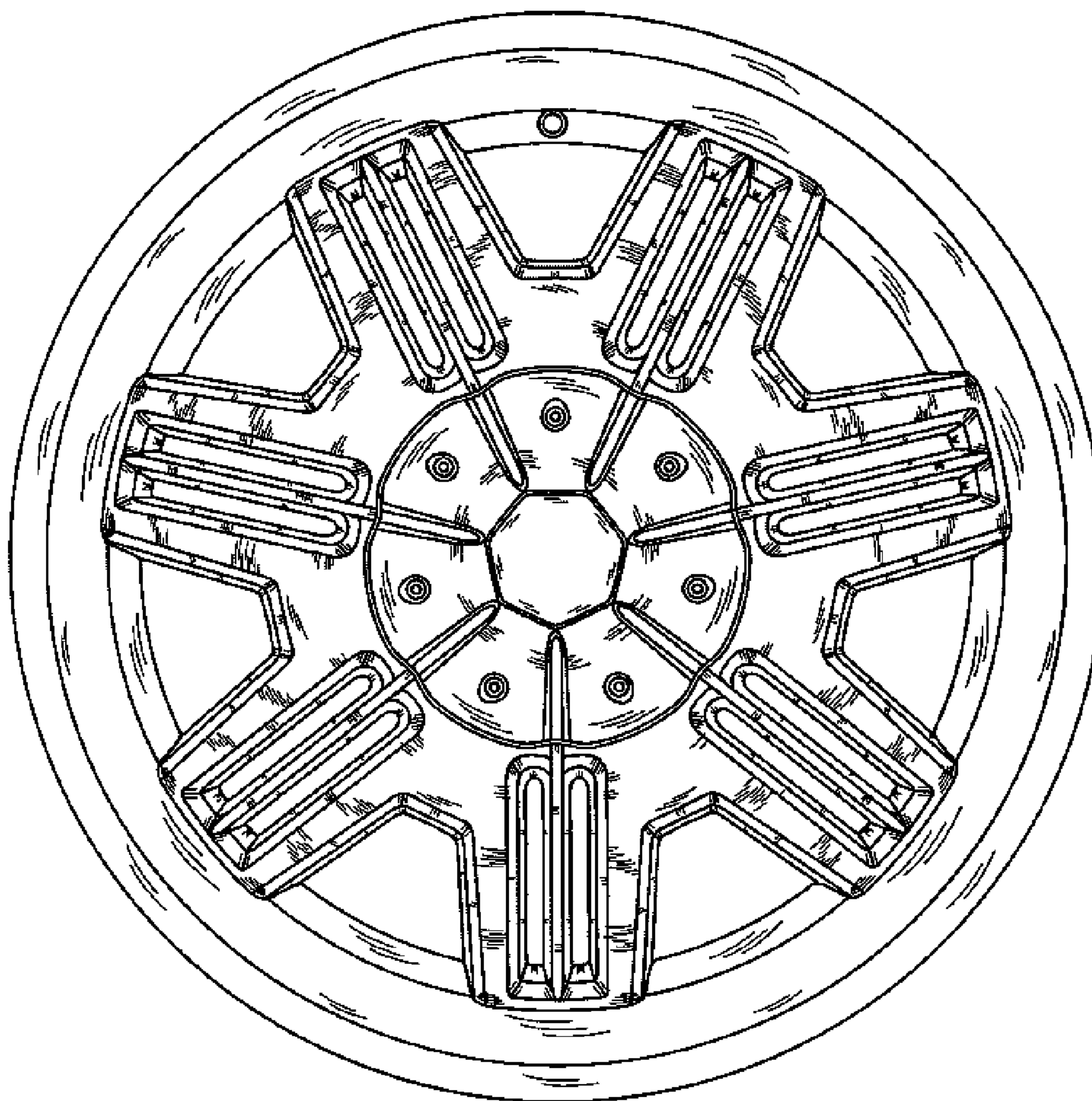
**DESCRIPTION**

FIG. 1 is a perspective view of a front face of a vehicle wheel showing my new design; and,

FIG. 2 is a front view thereof.

The broken line showign of environment is for illustrative purposes only and forms no part of the claimed design.

**1 Claim, 2 Drawing Sheets**



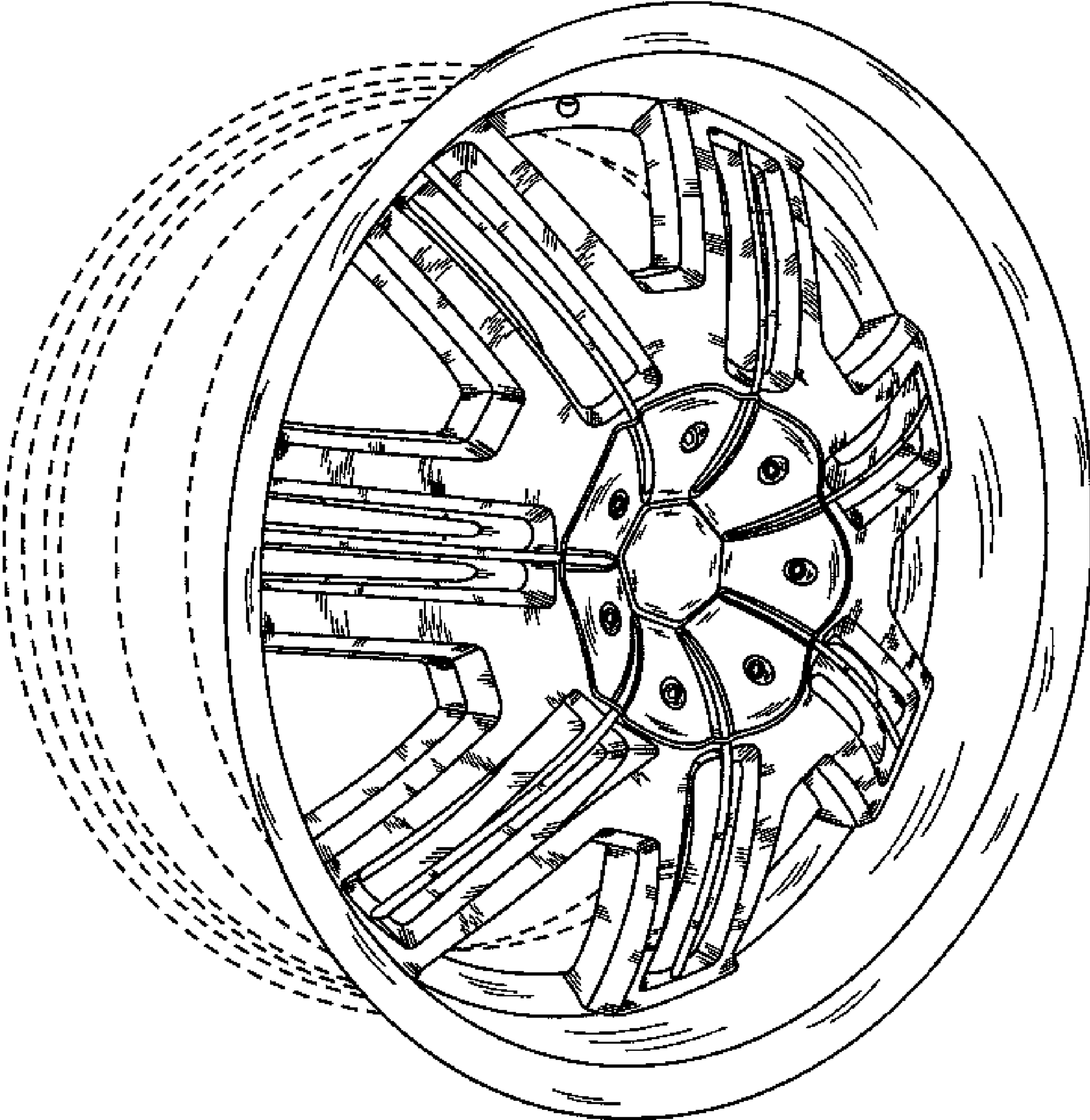


FIG. 1

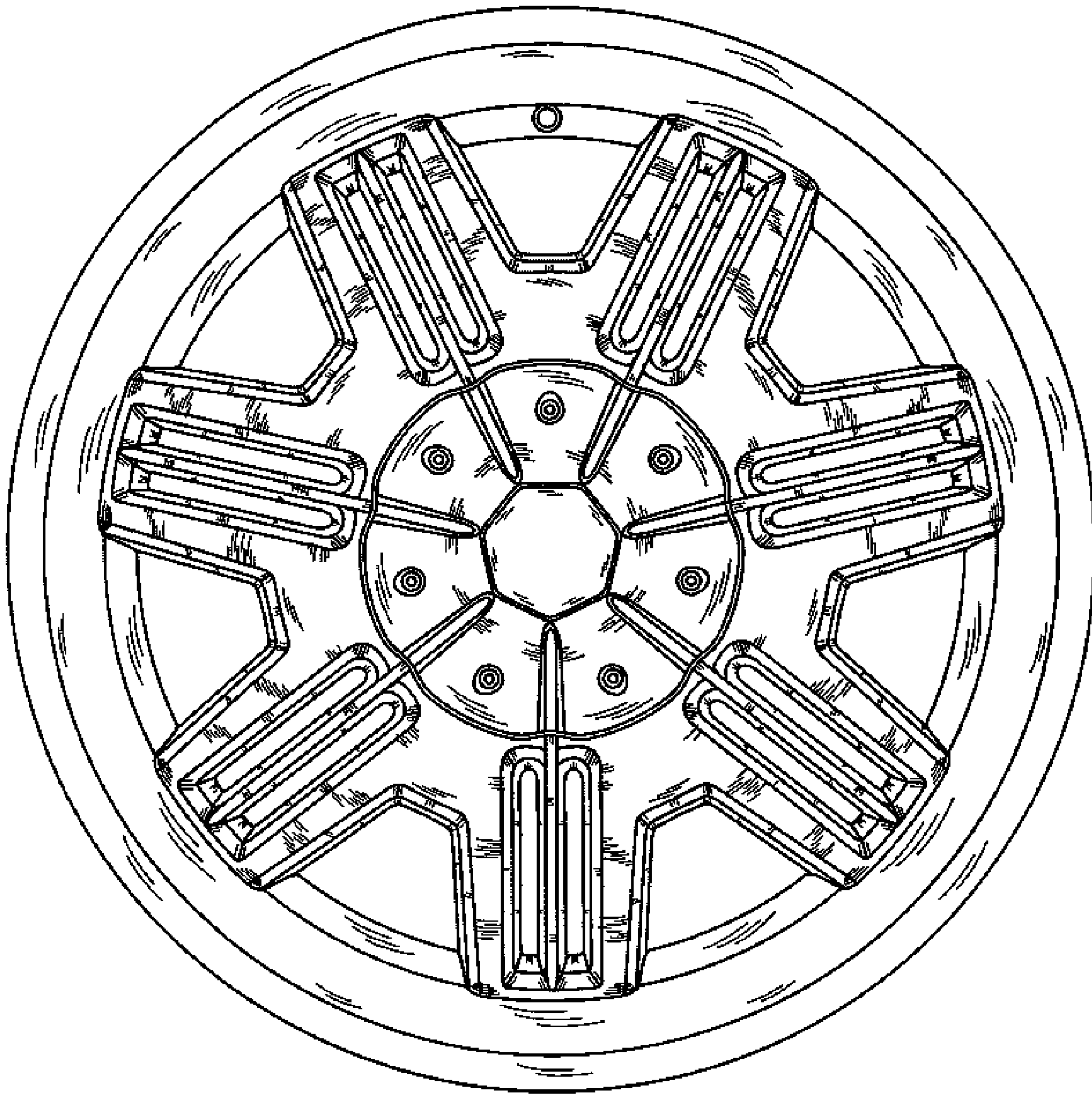


FIG. 2