



US00D558118S

(12) **United States Design Patent**  
**Hueller**

(10) **Patent No.:** **US D558,118 S**

(45) **Date of Patent:** **\*\* Dec. 25, 2007**

(54) **FRONT FACE OF A VEHICLE WHEEL**

(75) Inventor: **Jochen Hueller**, Pforzheim (DE)

(73) Assignee: **Bayerische Motoren Werke Aktiengesellschaft**, Munich (DE)

(\*\*) Term: **14 Years**

(21) Appl. No.: **29/271,992**

(22) Filed: **Jan. 31, 2007**

(30) **Foreign Application Priority Data**

Aug. 1, 2006 (DE) ..... 4 06 04 070

(51) **LOC (8) Cl.** ..... **12-16**

(52) **U.S. Cl.** ..... **D12/211**

(58) **Field of Classification Search** ..... D12/204-213;  
301/37.101, 64.101, 65, 64.201  
See application file for complete search history.

(56) **References Cited**

**U.S. PATENT DOCUMENTS**

D384,634 S *	10/1997	Cullen	.....	D12/211
D420,639 S *	2/2000	Roesianto	.....	D12/209
D422,959 S *	4/2000	Hussaini et al.	.....	D12/211
D457,478 S *	5/2002	Minamisawa	.....	D12/211
D469,048 S *	1/2003	van Hooydonk	.....	D12/209
D492,235 S *	6/2004	Nordmann	.....	D12/211

D503,668 S	4/2005	Boyer	
D504,097 S *	4/2005	Markefka	..... D12/209
D516,002 S *	2/2006	Fahr-Becker	..... D12/211
D516,982 S *	3/2006	Gallert	..... D12/209
D521,438 S	5/2006	Nordmann	
D522,434 S	6/2006	Langer	
D525,184 S	7/2006	Huet	
D526,610 S *	8/2006	Muzzarelli	..... D12/211
D537,026 S *	2/2007	Nordmann	..... D12/209
D540,238 S *	4/2007	Syha	..... D12/209
D542,728 S *	5/2007	Ichinose	..... D12/211

\* cited by examiner

*Primary Examiner*—Stacia Cadmus

(74) *Attorney, Agent, or Firm*—Crowell & Moring LLP

(57) **CLAIM**

The ornamental design for a front face of a vehicle wheel, as shown and described.

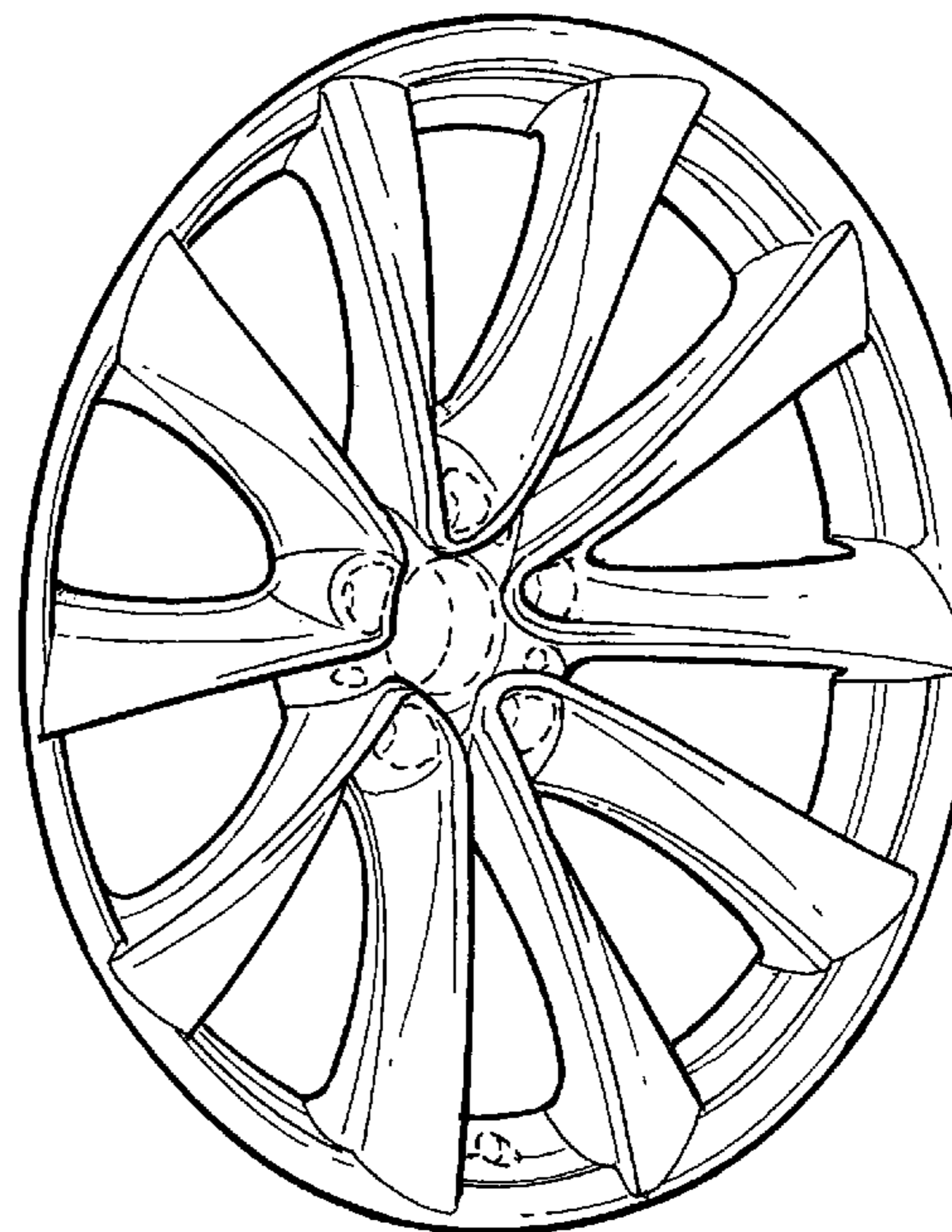
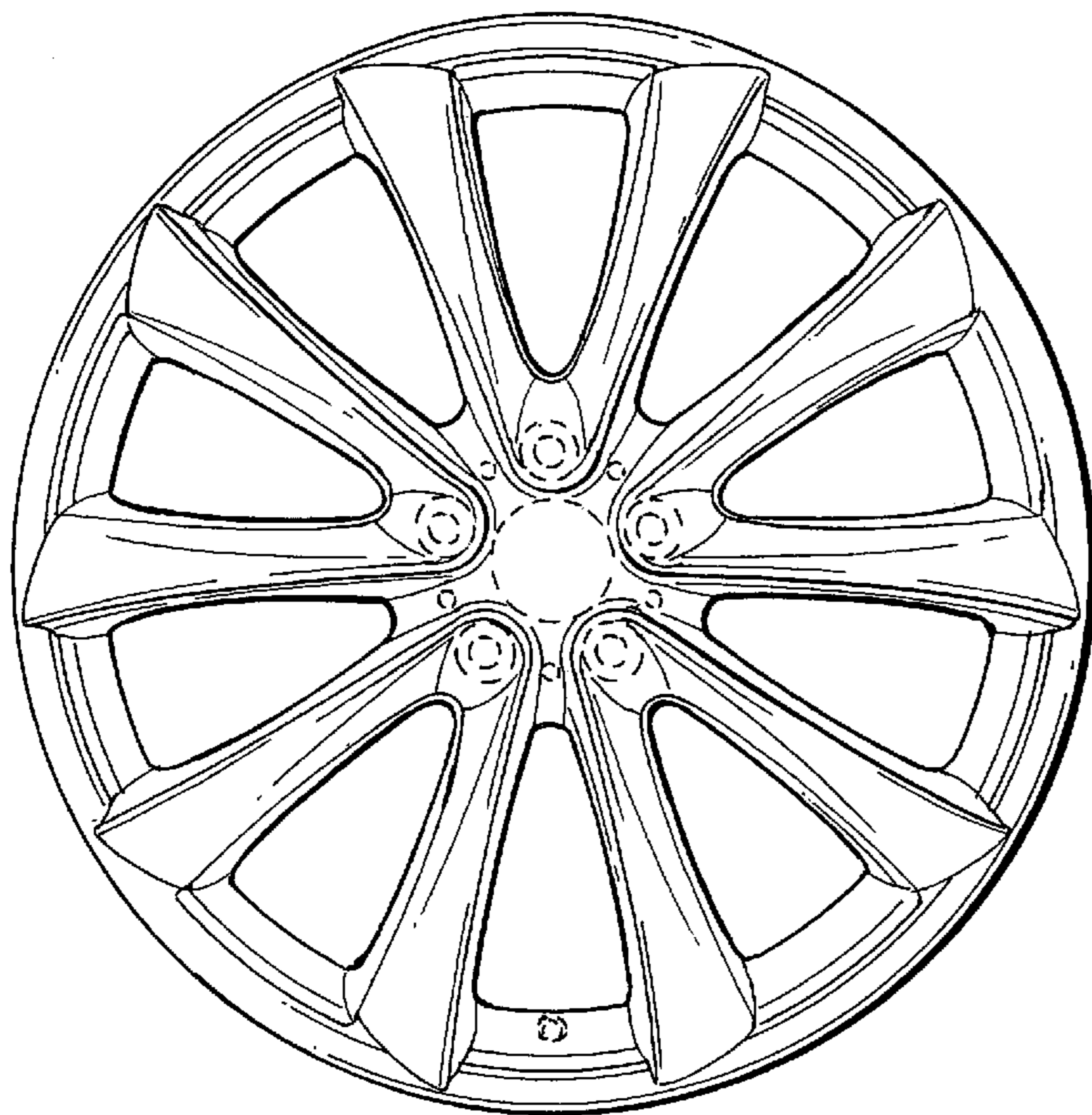
**DESCRIPTION**

FIG. 1 is a front view of a front face of a vehicle wheel according to my novel design; and,

FIG. 2 is a perspective view thereof.

The broken lines are for illustrative purposes only and form no part of the claimed design. Also enclosed is a set of photographs of an embodiment of the invention.

**1 Claim, 1 Drawing Sheet**



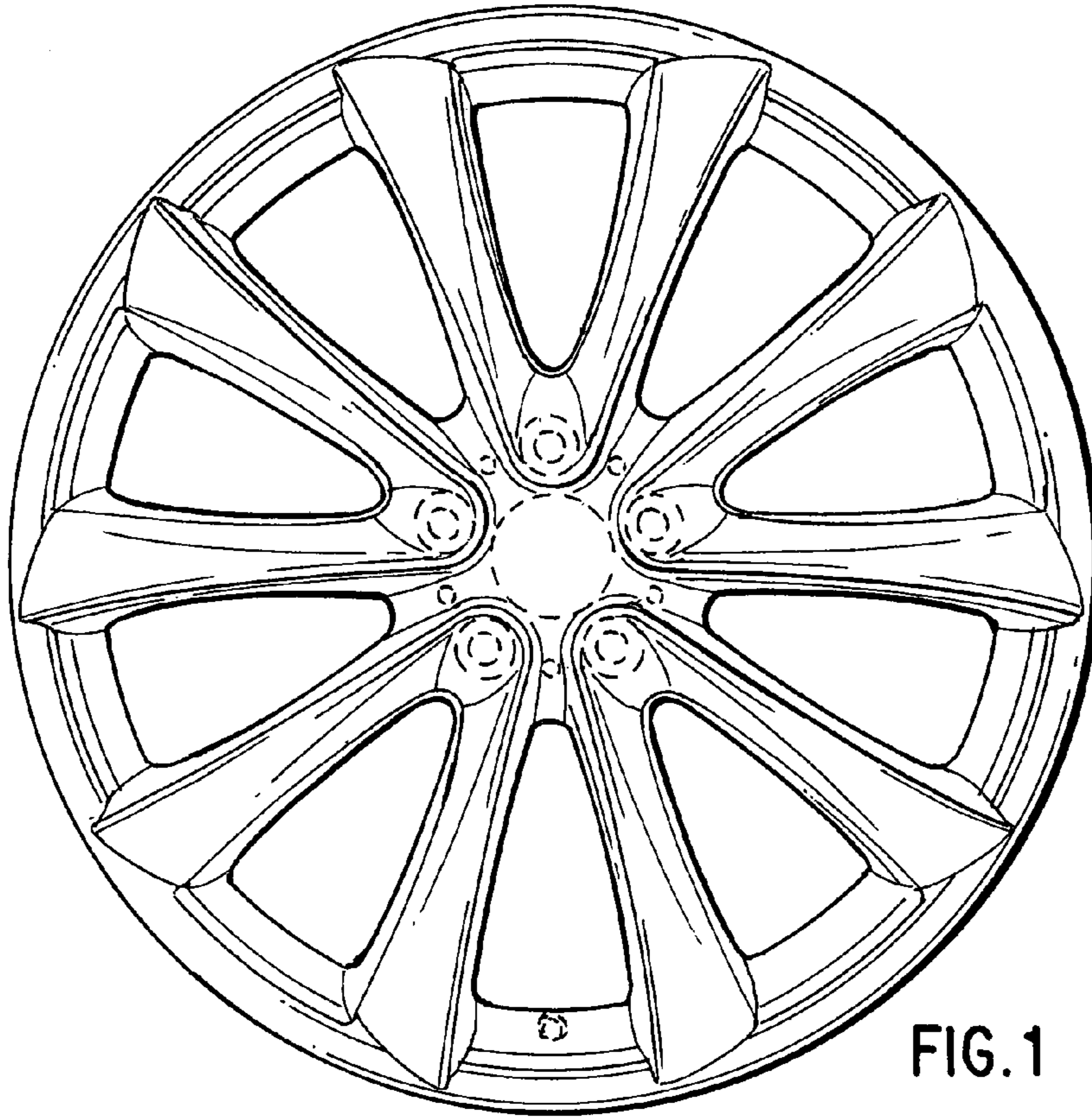


FIG. 1

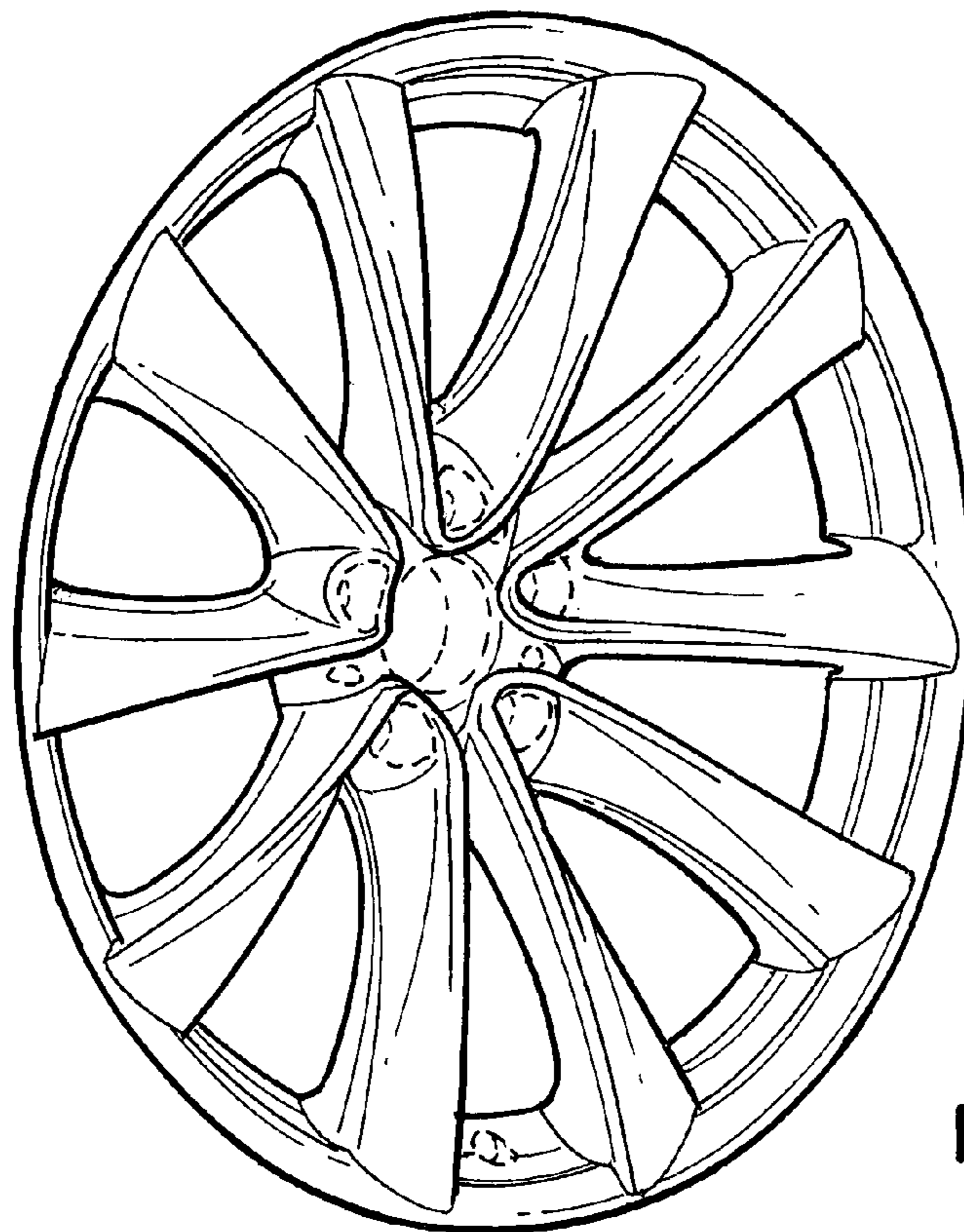


FIG. 2