



US00D558117S

(12) **United States Design Patent**
Baum

(10) **Patent No.:** **US D558,117 S**

(45) **Date of Patent:** **** *Dec. 25, 2007**

(54) **FRONT FACE OF A VEHICLE WHEEL**

(75) Inventor: **Stephan Baum**, Olching (DE)

(73) Assignee: **Bayerische Motoren Werke Aktiengesellschaft**, Munich (DE)

(*) Notice: This patent is subject to a terminal disclaimer.

(**) Term: **14 Years**

(21) Appl. No.: **29/270,304**

(22) Filed: **Dec. 21, 2006**

(30) **Foreign Application Priority Data**

Jun. 22, 2006 (DE) 4 06 03 373

(51) **LOC (8) Cl.** **12-16**

(52) **U.S. Cl.** **D12/211**

(58) **Field of Classification Search** D12/204-213;
301/37.101, 64.101, 65

See application file for complete search history.

(56) **References Cited**

U.S. PATENT DOCUMENTS

D348,243 S * 6/1994 Echazabal et al. D12/211
D350,932 S * 9/1994 Echazabel et al. D12/211
D438,503 S * 3/2001 Syring D12/211
D451,067 S * 11/2001 Frizzi D12/211

D472,865 S * 4/2003 Wechner D12/211
D480,035 S * 9/2003 Frohlich D12/211
D486,111 S * 2/2004 Weidhase D12/211
D499,685 S * 12/2004 Schaefers D12/211
D500,726 S * 1/2005 Hettler D12/211
D516,989 S * 3/2006 Baum D12/211
D517,970 S * 3/2006 Pollmann D12/209
D525,932 S * 8/2006 Hettler D12/211
D528,495 S * 9/2006 Truebsbach D12/211

* cited by examiner

Primary Examiner—Stacia Cadmus

(74) *Attorney, Agent, or Firm*—Crowell & Moring LLP

(57) **CLAIM**

The ornamental design for a front face of a vehicle wheel, as shown and described.

DESCRIPTION

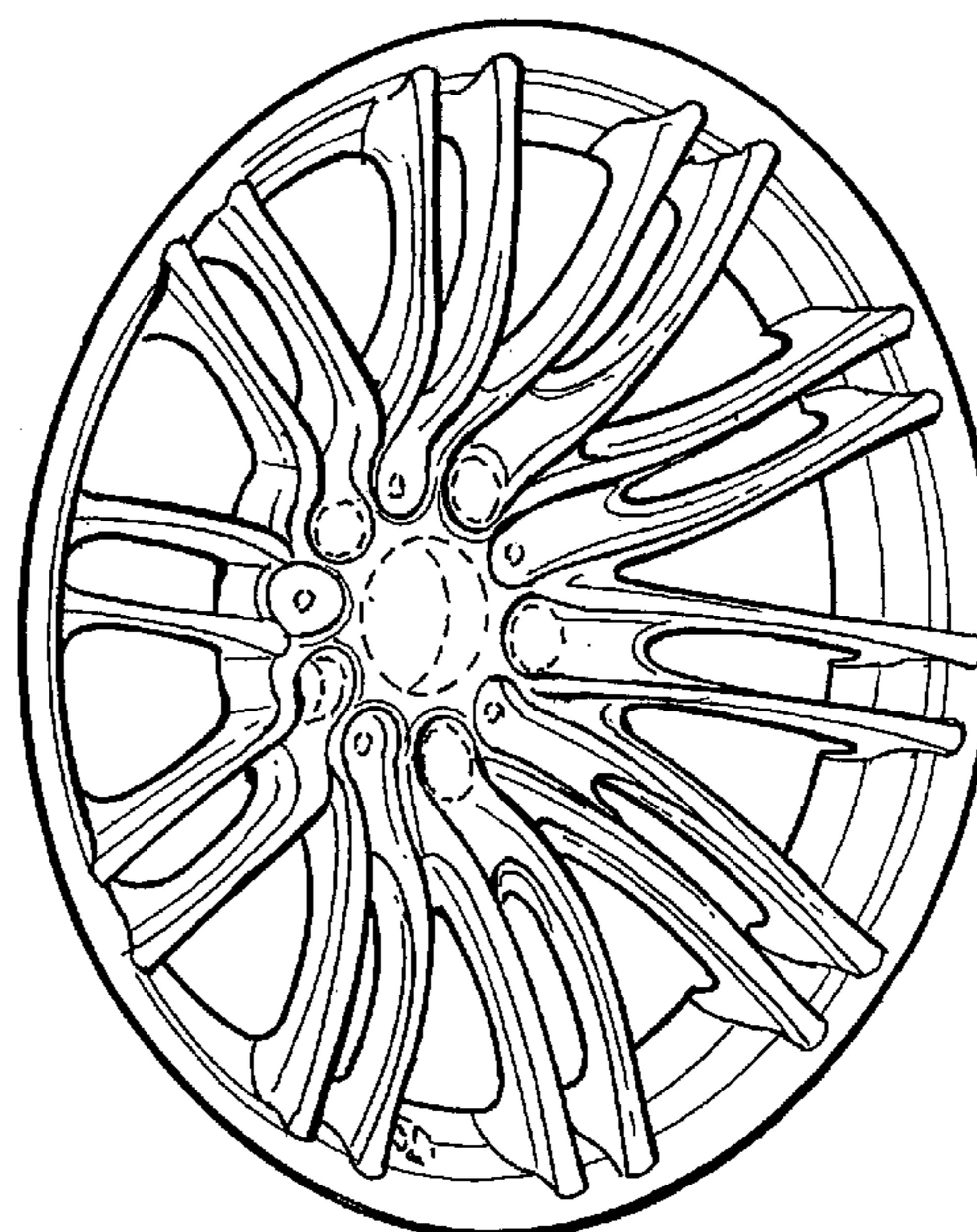
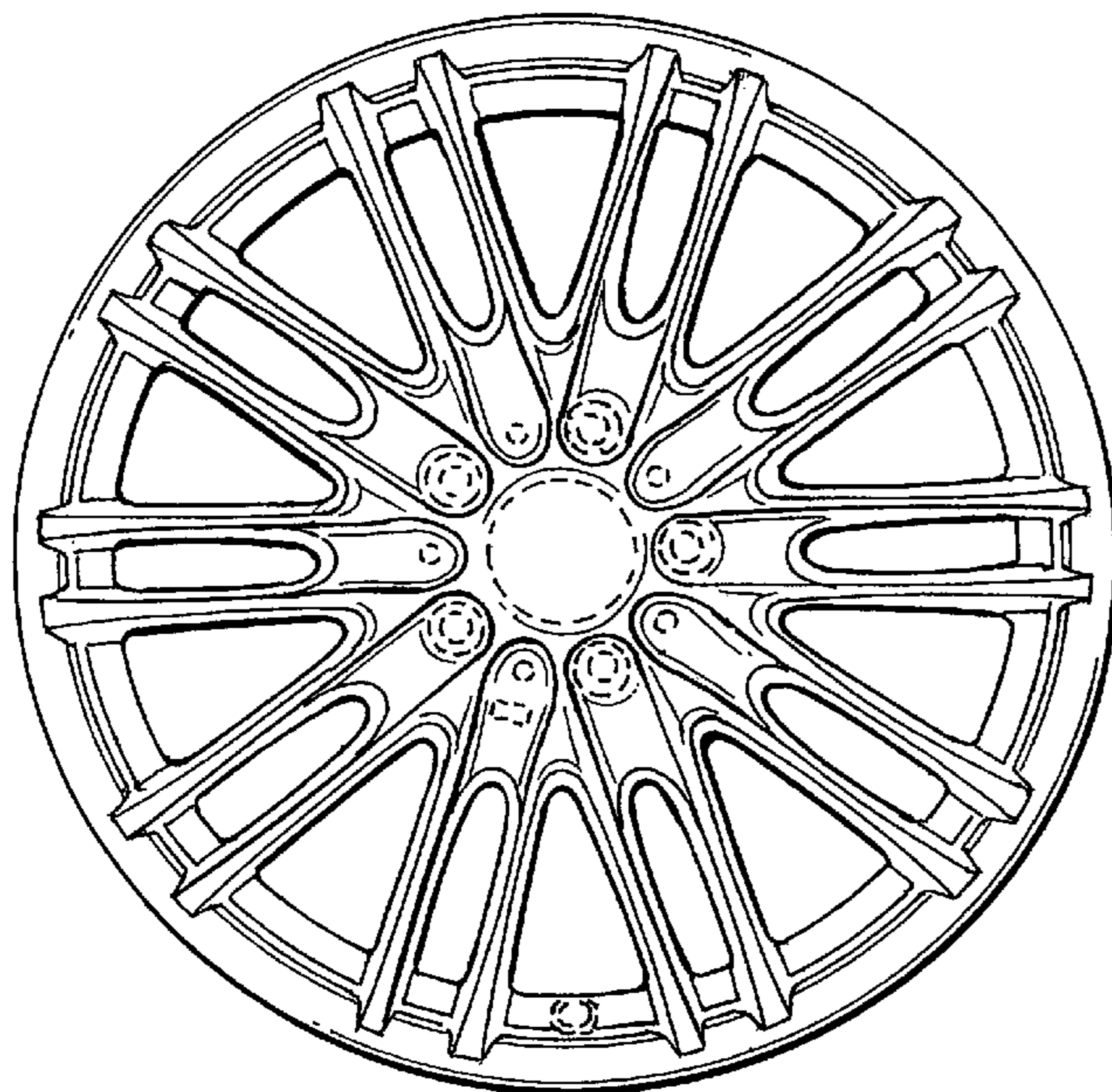
This application is related to the following co-pending applications: Application Ser. No. 29/268,411, entitled "Front Face of a Vehicle Wheel".

FIG. 1 is a front view of a front face of a vehicle wheel according to my novel design; and,

FIG. 2 is a perspective view thereof.

The broken lines are for illustrative purposes only and form no part of the claimed design.

1 Claim, 1 Drawing Sheet



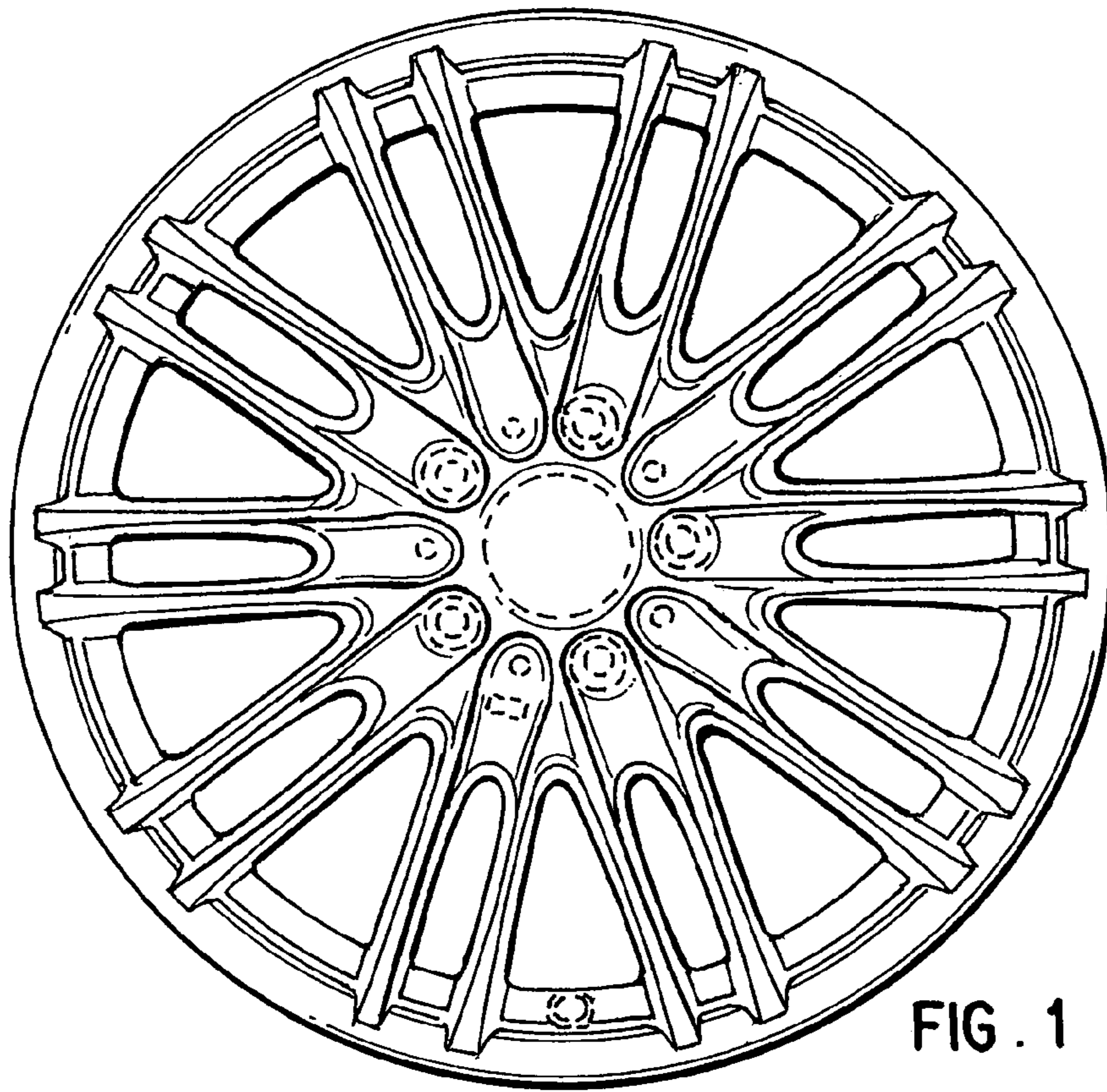


FIG. 1

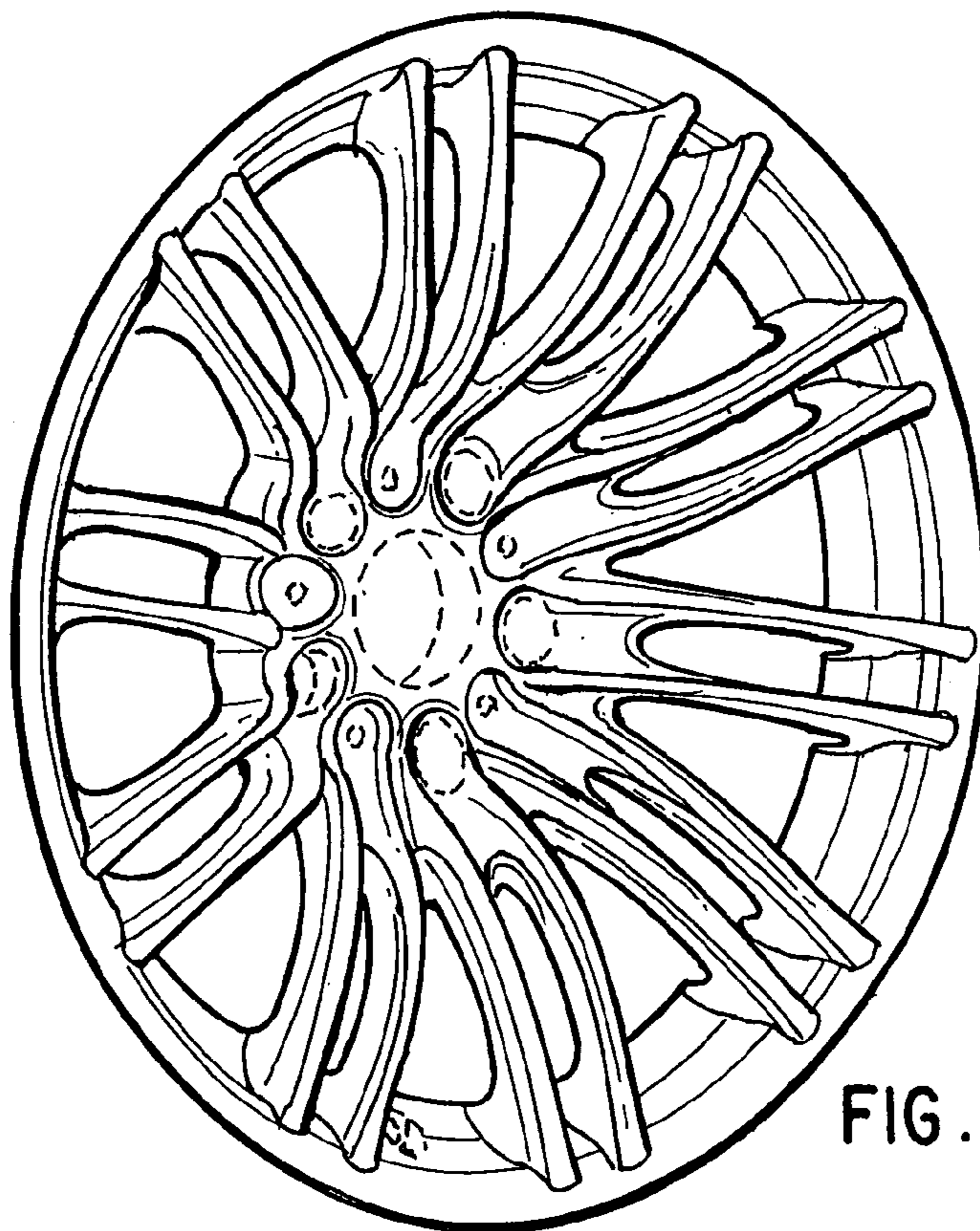


FIG. 2