



US00D558116S

(12) **United States Design Patent**
Martin

(10) **Patent No.:** **US D558,116 S**

(45) **Date of Patent:** **** Dec. 25, 2007**

(54) **VEHICLE WHEEL**

D498,194 S * 11/2004 Aquino D12/209
D521,436 S * 5/2006 Meier D12/209

(75) Inventor: **Jeffrey L. Martin**, Duncanville, TX
(US)

* cited by examiner

(73) Assignee: **Prestige Autotech Corporation**, Chino,
CA (US)

Primary Examiner—Stacia Cadmus
(74) *Attorney, Agent, or Firm*—Fulwider Patton LLP

(**) Term: **14 Years**

(57) **CLAIM**

(21) Appl. No.: **29/288,364**

The ornamental design for a “vehicle wheel,” as shown and described.

(22) Filed: **Jun. 8, 2007**

DESCRIPTION

(51) **LOC (8) Cl.** **12-16**

FIG. 1 is a perspective view of the vehicle wheel showing one embodiment of my new design;

(52) **U.S. Cl.** **D12/209**

FIG. 2 is a front elevational view thereof;

(58) **Field of Classification Search** D12/204–213;
301/37.101, 64.101, 65, 64.201
See application file for complete search history.

FIG. 3 is a cross-sectional view taken along the lines of 3—3 of FIG. 2;

(56) **References Cited**

FIG. 4 is a perspective view of the vehicle wheel showing a second embodiment of my new design;

U.S. PATENT DOCUMENTS

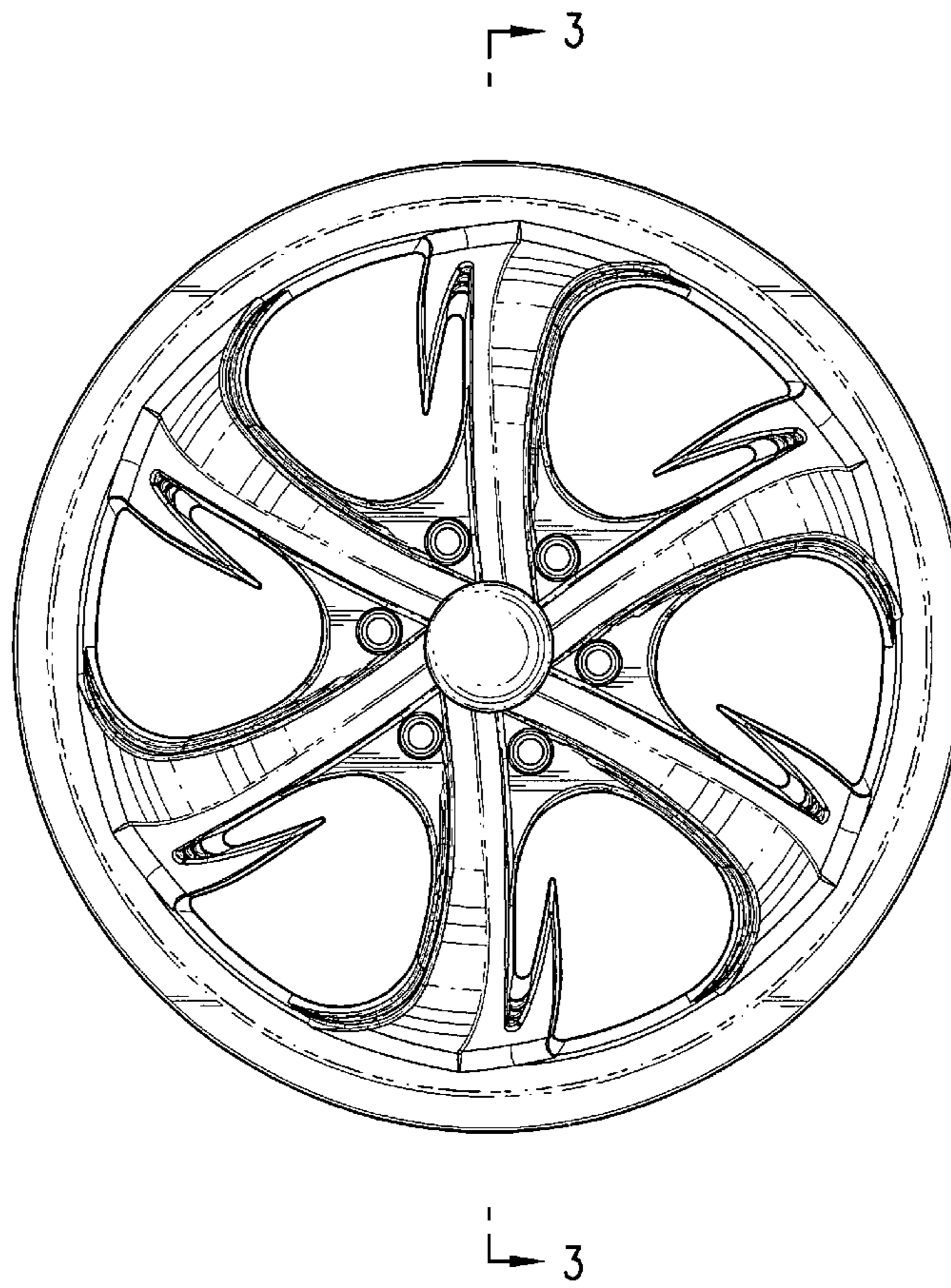
FIG. 5 is a front elevational view thereof; and,

- D384,929 S * 10/1997 Neeper D12/209
- D409,130 S * 5/1999 Brown et al. D12/209
- D423,443 S * 4/2000 Hussaini et al. D12/209
- D441,338 S * 5/2001 Hussaini et al. D12/209
- D455,700 S * 4/2002 Foose D12/209
- D455,991 S * 4/2002 Kaucher D12/209
- D497,340 S * 10/2004 Anderson et al. D12/209

FIG. 6 is a cross-sectional view taken along the lines of 6—6 of FIG. 2.

The broken lines showing the environment is for illustrative purposes only and forms no part of the claimed design.

1 Claim, 6 Drawing Sheets



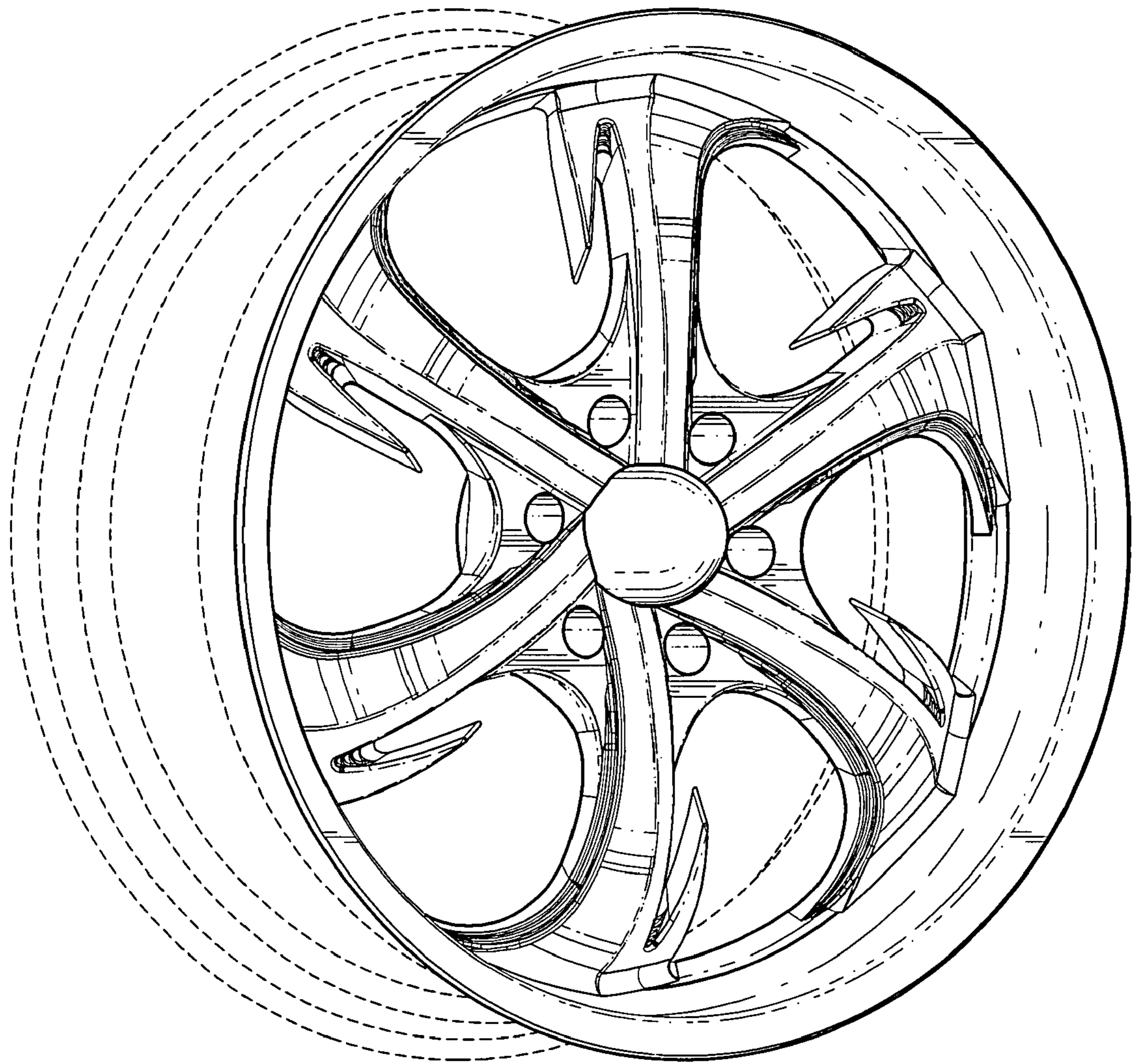


FIG. 1

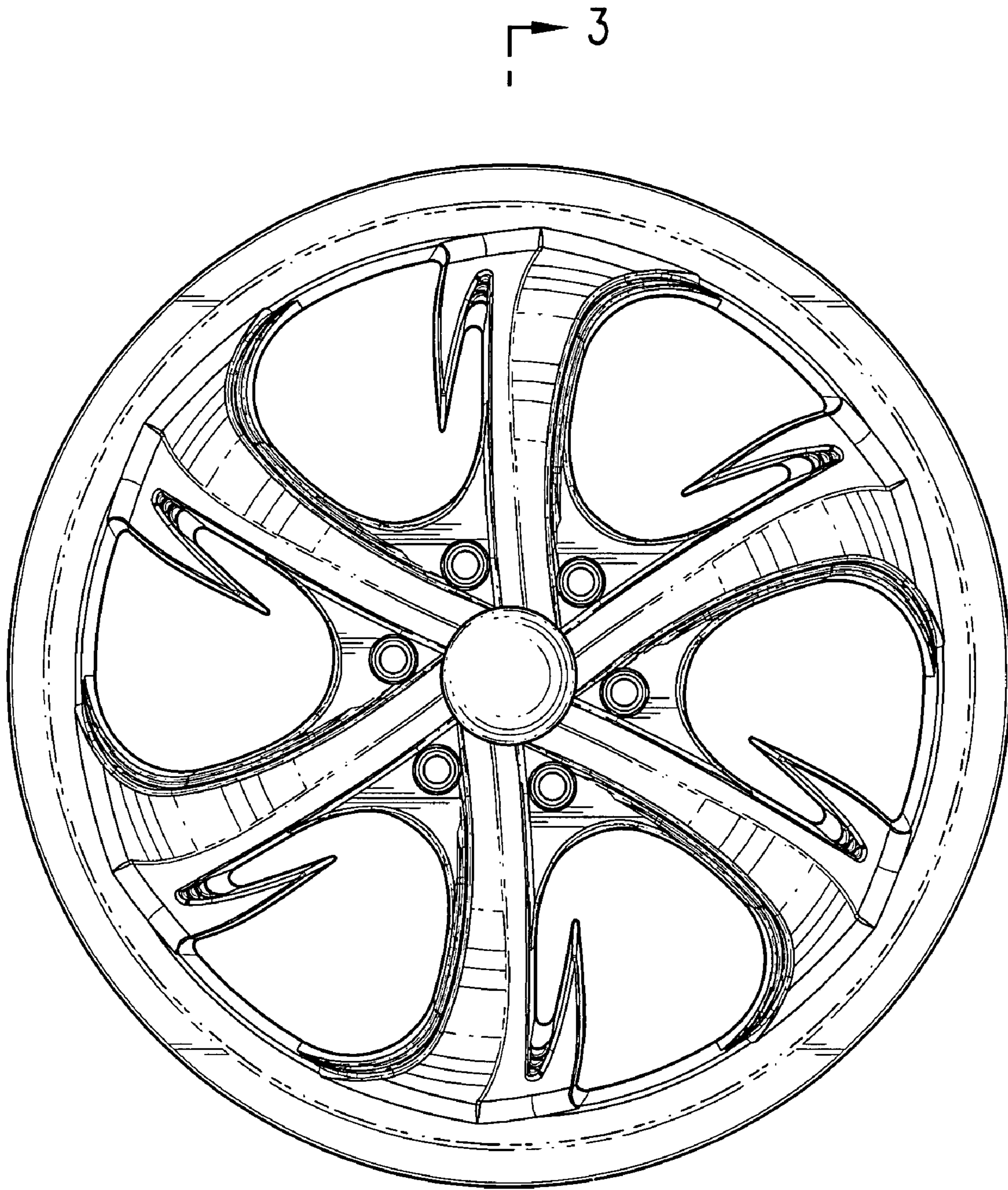


FIG. 2

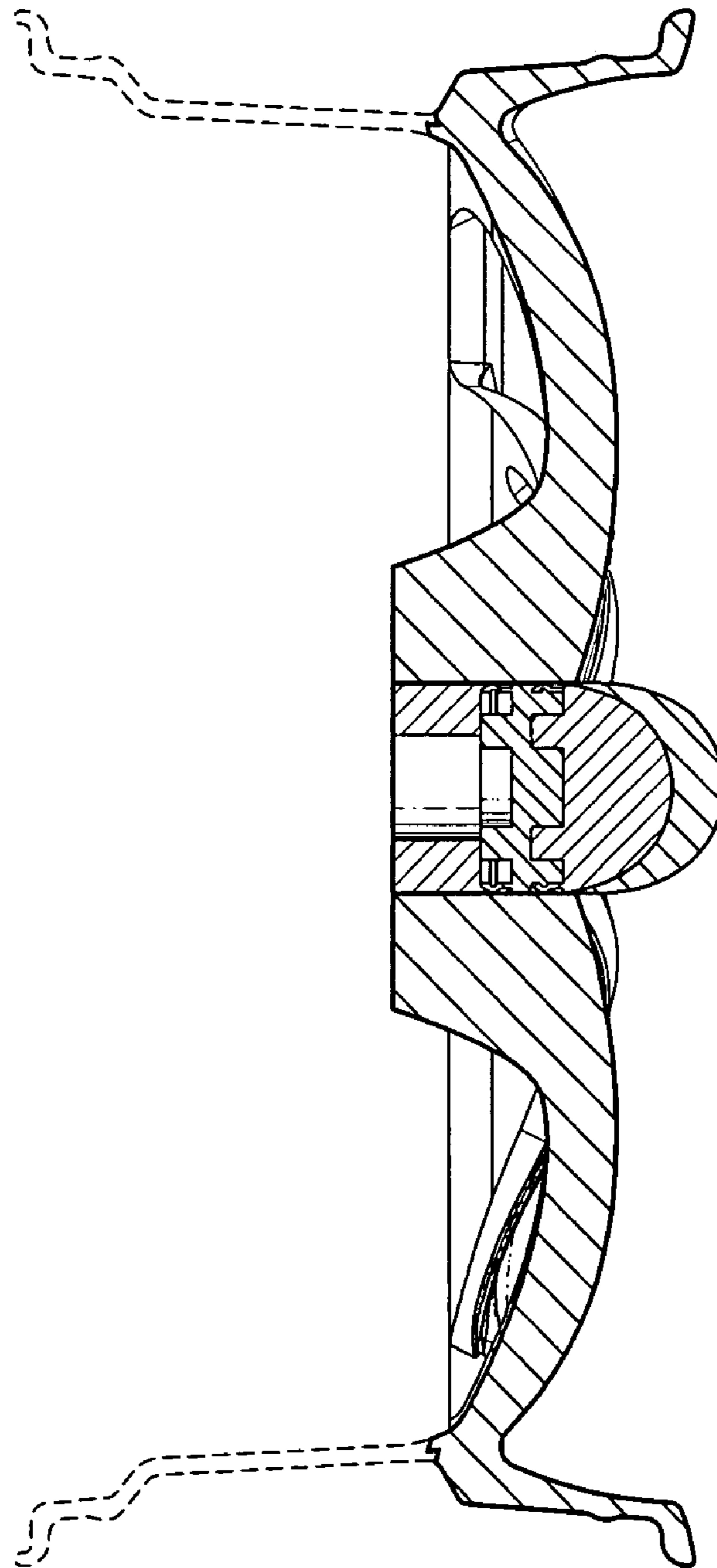


FIG. 3

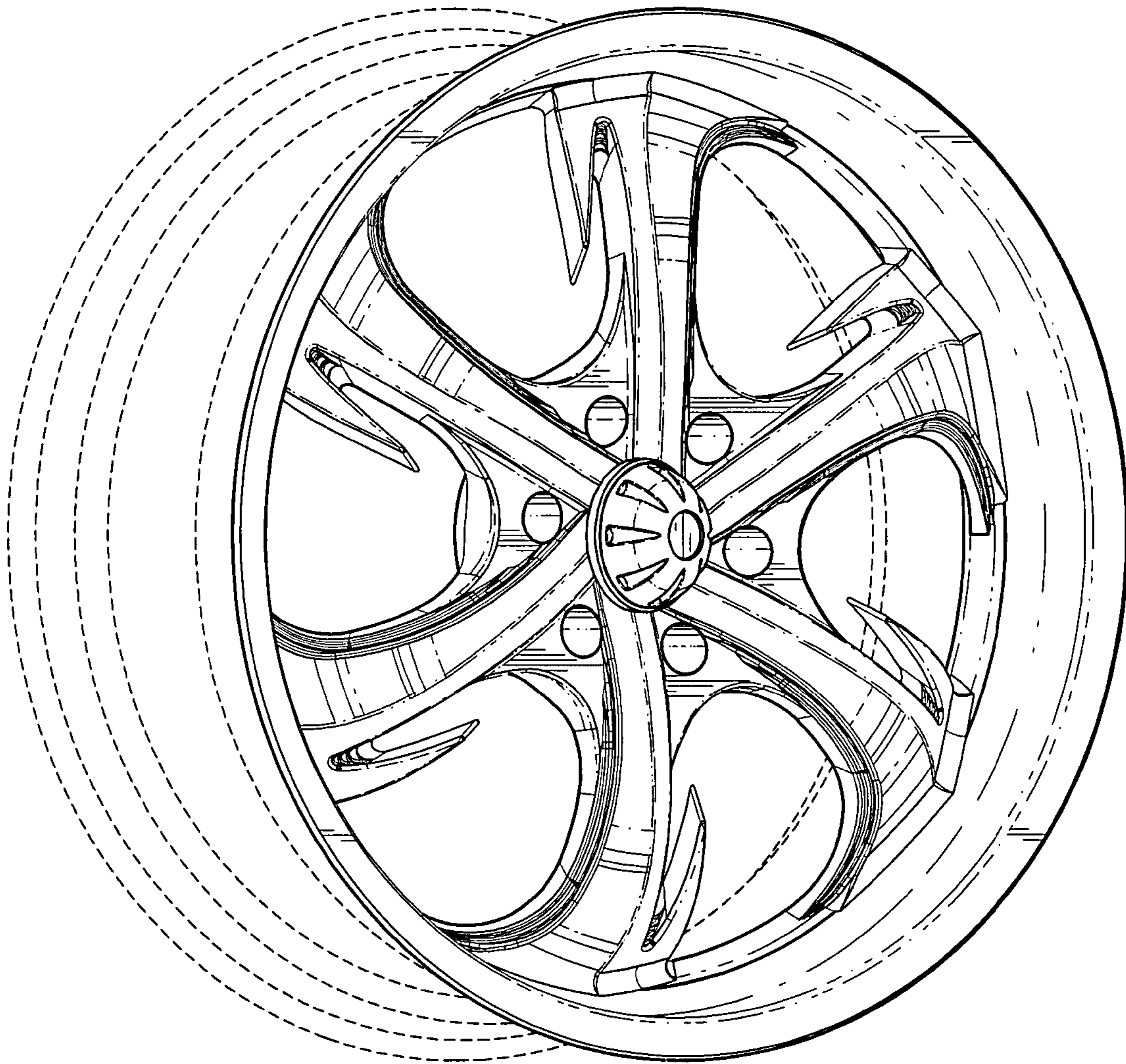


FIG. 4

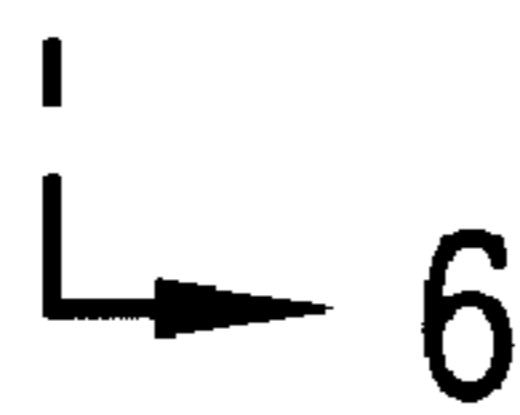
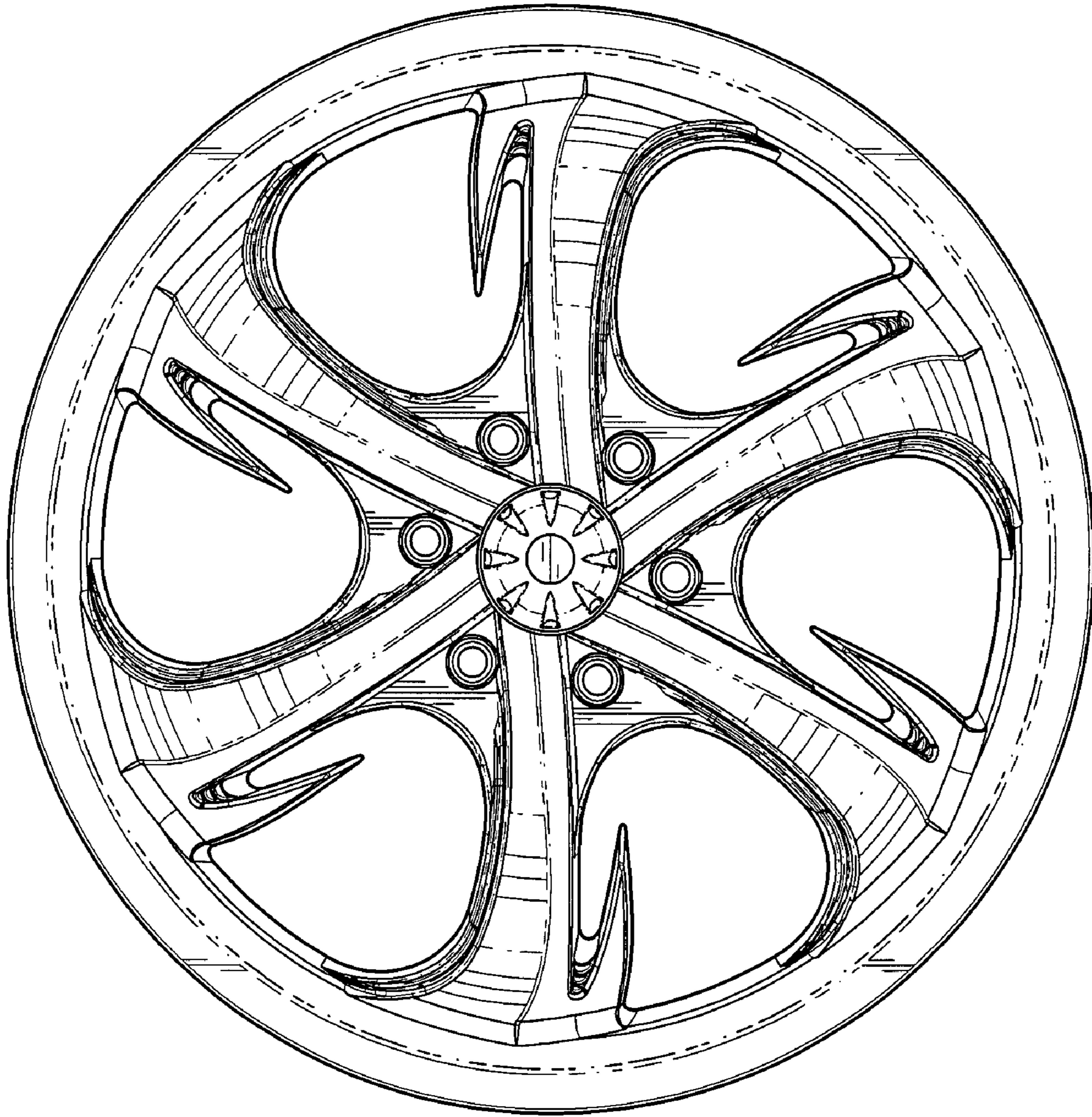
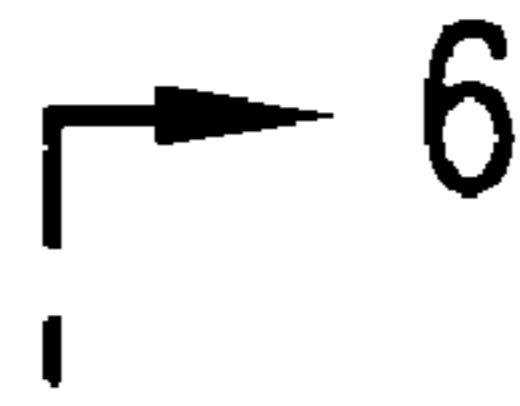


FIG. 5

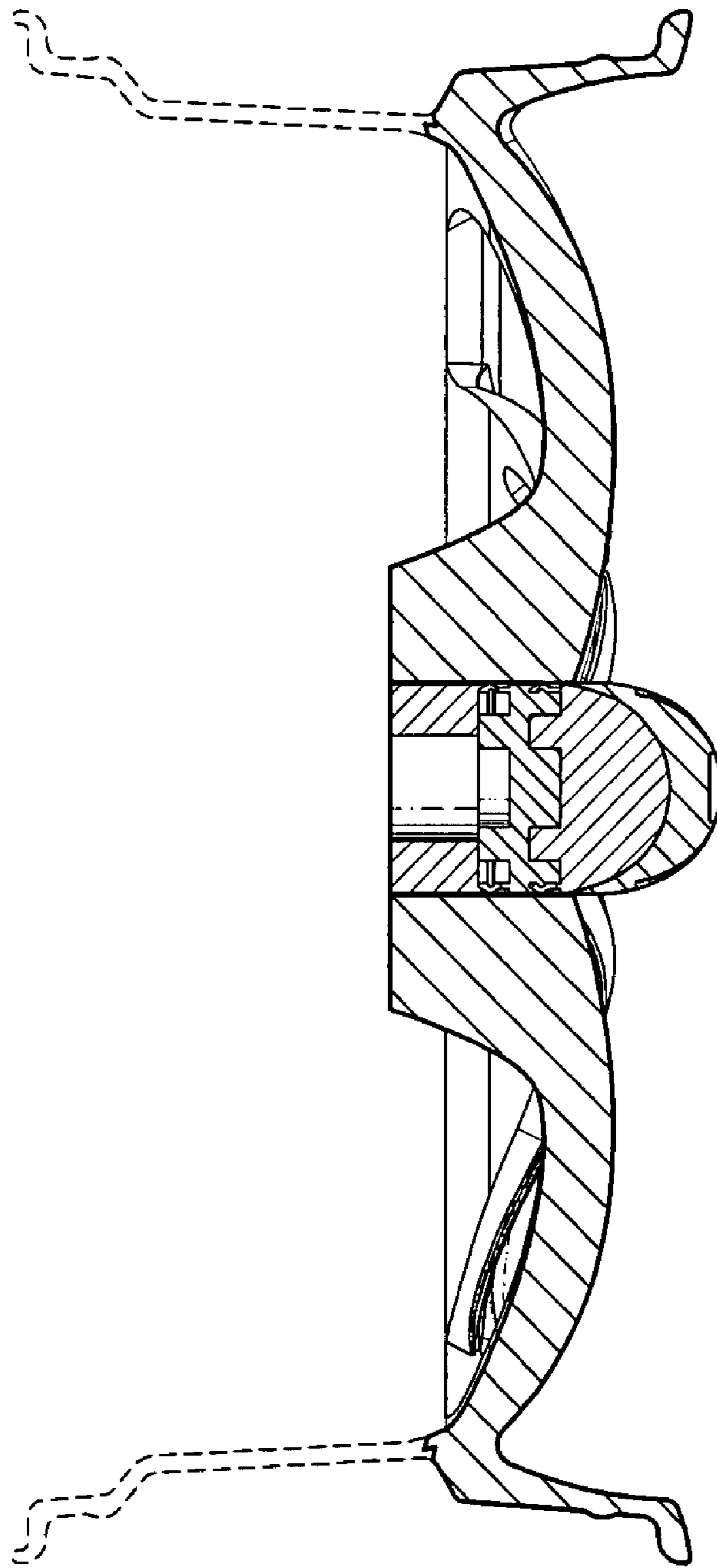


FIG. 6