



US00D558114S

(12) **United States Design Patent**  
**Pollmann**

(10) **Patent No.:** **US D558,114 S**

(45) **Date of Patent:** **\*\* Dec. 25, 2007**

(54) **FRONT FACE OF A VEHICLE WHEEL**

(75) Inventor: **Gert Pollmann**, Boehmfeld (DE)

(73) Assignee: **Bayerische Motoren Werke  
Aktiengesellschaft**, Munich (DE)

(\*\*) Term: **14 Years**

(21) Appl. No.: **29/271,995**

(22) Filed: **Jan. 31, 2007**

(30) **Foreign Application Priority Data**

Aug. 1, 2006 (DE) ..... 4 06 04 070

(51) **LOC (8) Cl.** ..... **12-16**

(52) **U.S. Cl.** ..... **D12/209**

(58) **Field of Classification Search** ..... D12/204-213;  
301/37.101, 64.101, 65, 64.201  
See application file for complete search history.

(56) **References Cited**

**U.S. PATENT DOCUMENTS**

D433,659 S \* 11/2000 Frizzi ..... D12/211  
D454,527 S \* 3/2002 Bhambra ..... D12/209

D471,502 S \* 3/2003 McMath ..... D12/209  
D484,839 S \* 1/2004 Scheu ..... D12/209  
D486,769 S \* 2/2004 Gallert ..... D12/209  
D493,403 S \* 7/2004 Kataoka ..... D12/209  
D500,723 S \* 1/2005 Alimchandani ..... D12/209  
D506,717 S \* 6/2005 Gallert ..... D12/209  
D509,782 S \* 9/2005 Pollmann ..... D12/209  
D520,431 S \* 5/2006 Truebsbach ..... D12/209  
D539,204 S \* 3/2007 Pollmann ..... D12/209

\* cited by examiner

*Primary Examiner*—Stacia Cadmus

(74) *Attorney, Agent, or Firm*—Crowell & Moring LLP

(57) **CLAIM**

The ornamental design for a front face of a vehicle wheel, as shown and described.

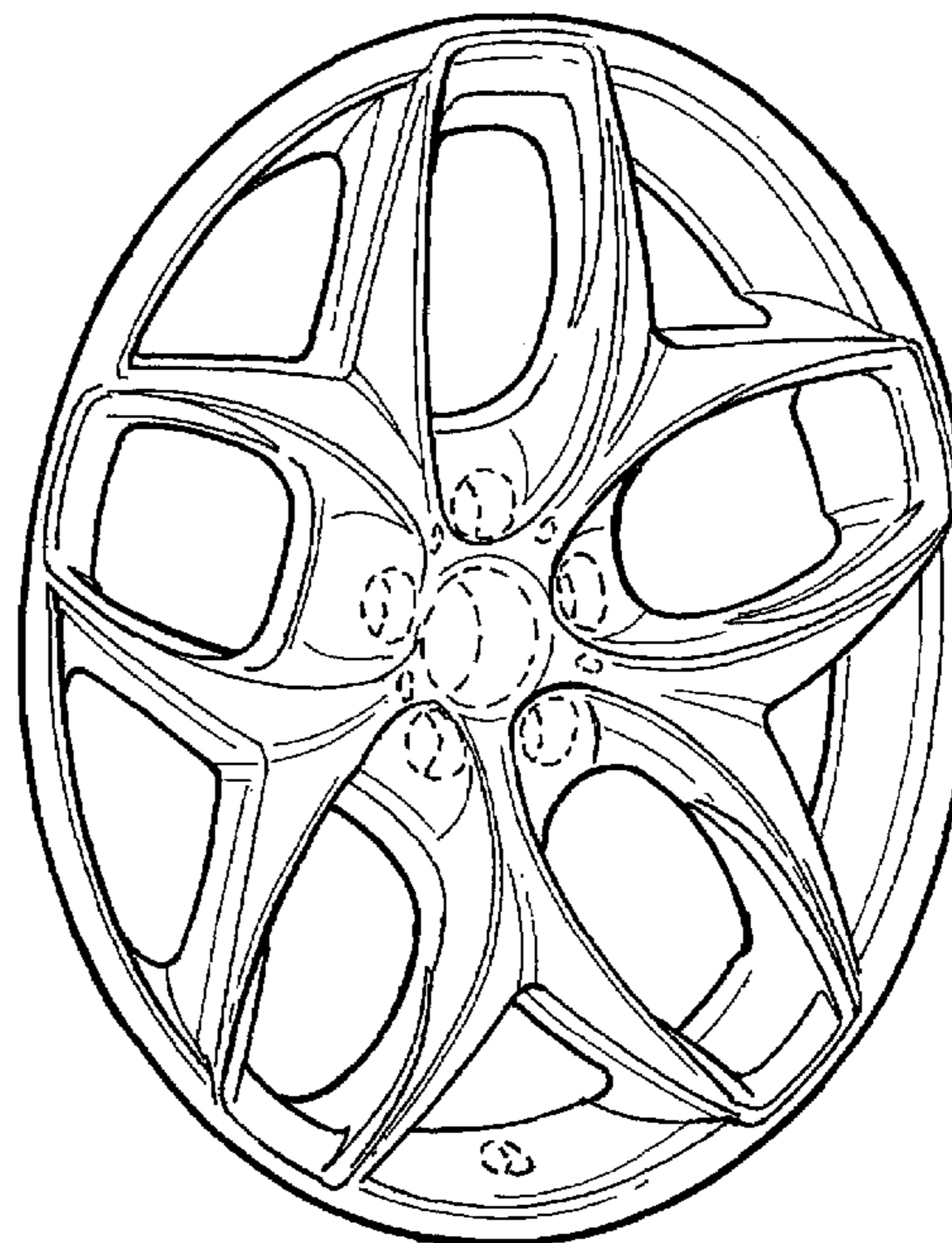
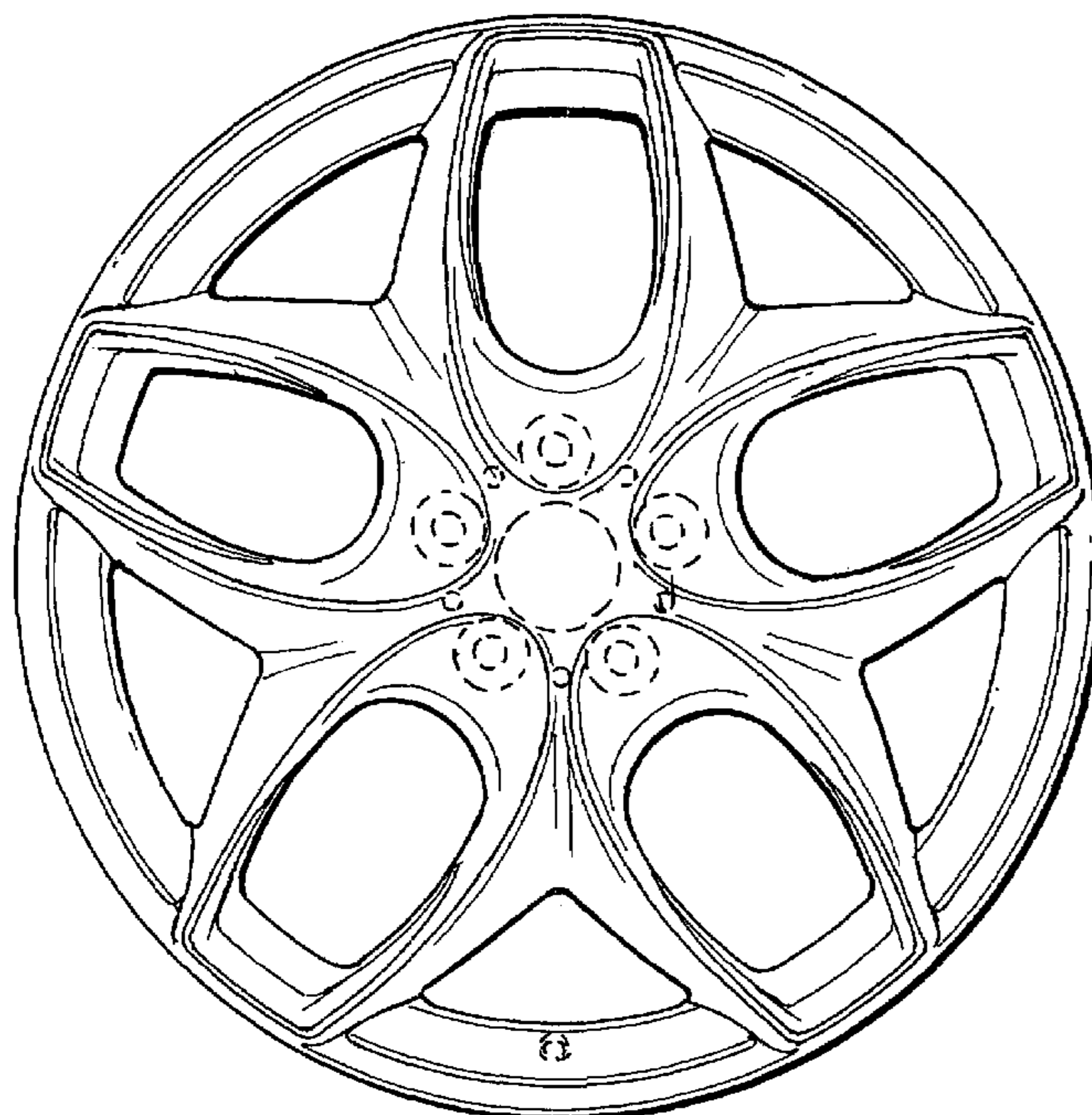
**DESCRIPTION**

FIG. 1 is a front view of a front face of a vehicle wheel according to my novel design; and,

FIG. 2 is a perspective view thereof.

The broken lines are for illustrative purposes only and form no part of the claimed design.

**1 Claim, 1 Drawing Sheet**



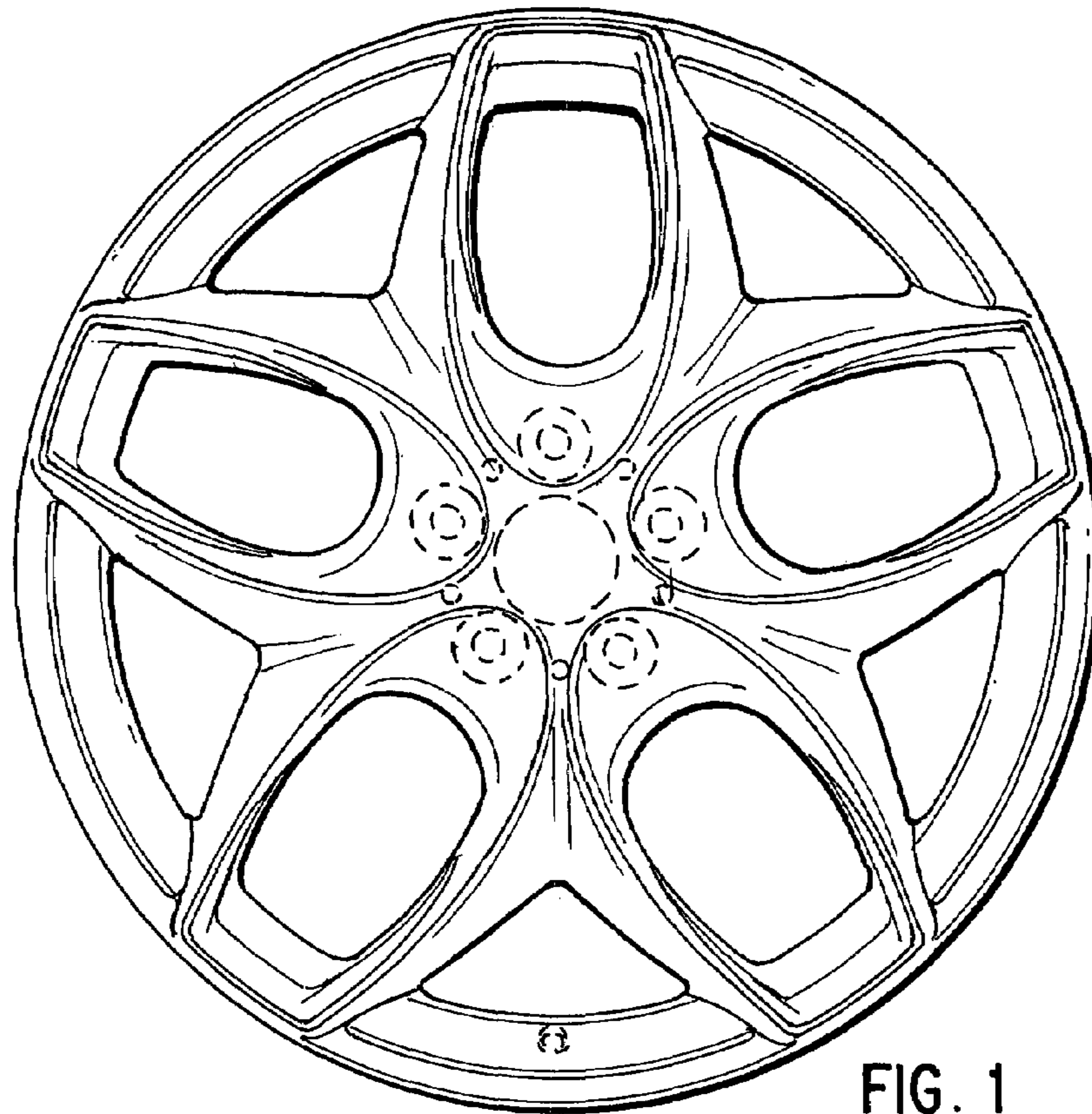


FIG. 1

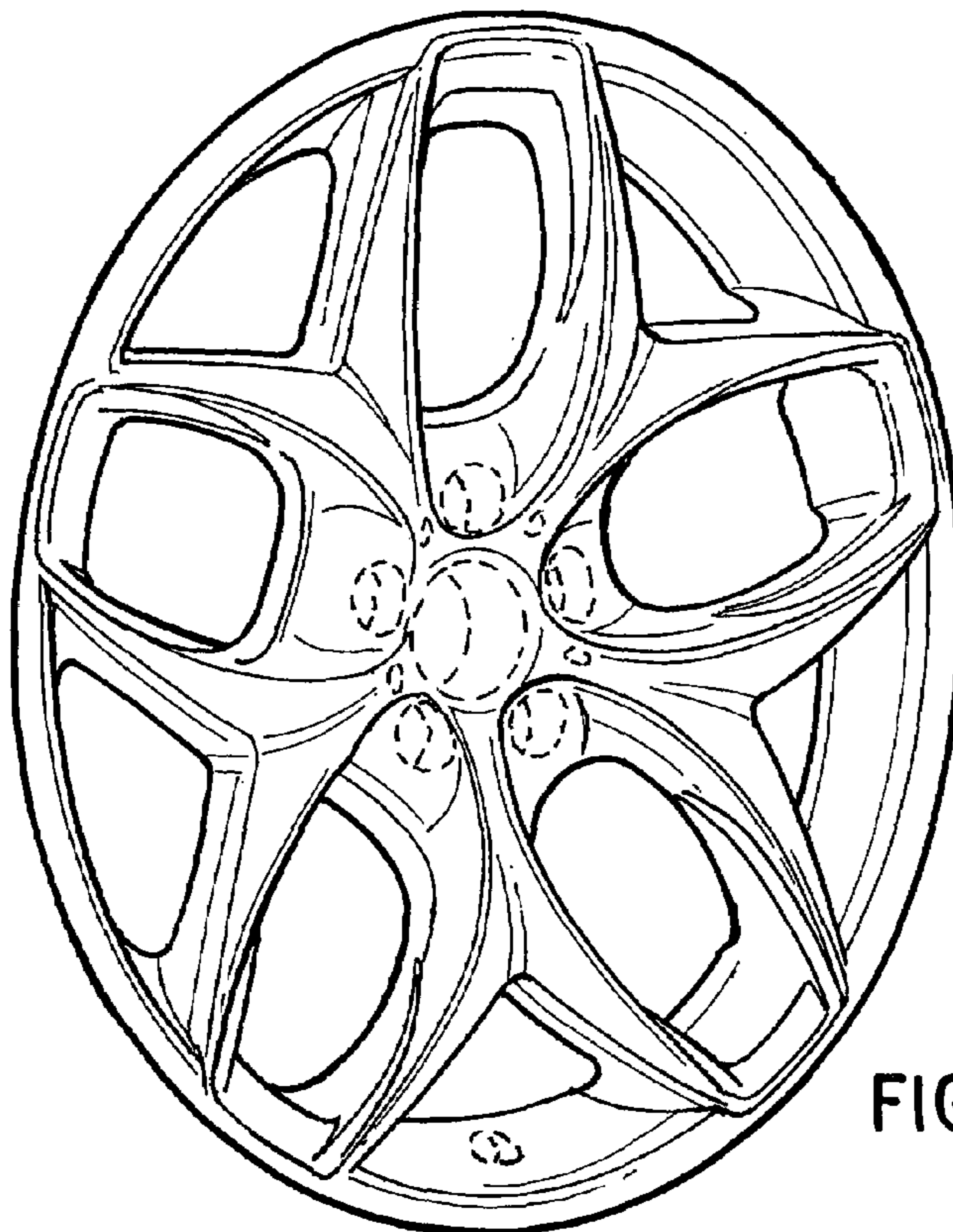


FIG. 2