



US00D558112S

(12) **United States Design Patent** (10) **Patent No.:** **US D558,112 S**
Leclercq (45) **Date of Patent:** **** Dec. 25, 2007**

(54) **SURFACE CONFIGURATION OF A DOOR FOR A VEHICLE**

(74) *Attorney, Agent, or Firm*—Crowell & Moring LLP

(75) Inventor: **Pierre Leclercq**, Munich (DE)

(57) **CLAIM**

(73) Assignee: **Bayerische Motoren Werke Aktiengesellschaft**, Munich (DE)

The ornamental design for a surface configuration of a door for a vehicle, as shown and described.

(**) Term: **14 Years**

DESCRIPTION

(21) Appl. No.: **29/270,227**

This application is related to the following co-pending application, of the inventor, filed on even date herewith: application Ser. No. 29/270,222, entitled "Surface Configuration of a Vehicle, Toy, and/or other Replicas".

(22) Filed: **Dec. 19, 2006**

FIG. 1 is a left perspective view of a first embodiment of a surface configuration of a door for a vehicle according to my novel design;

(30) **Foreign Application Priority Data**

Jun. 20, 2006 (DE) 4 06 03 285

FIG. 2 is a right perspective view thereof;

(51) **LOC (8) Cl.** **12-16**

(52) **U.S. Cl.** **D12/196**

(58) **Field of Classification Search** D12/196, D12/86, 90-92; 296/181.1, 181.5

FIG. 3 is a front view thereof;

FIG. 4 is a left side view thereof; and

FIG. 5 is a right side view thereof.

See application file for complete search history.

FIG. 6 is a left perspective view of a second embodiment of the surface configuration of a door for a vehicle according to my novel design;

(56) **References Cited**

U.S. PATENT DOCUMENTS

D418,471 S * 1/2000 Gabath D12/196

D467,849 S * 12/2002 Murkett D12/196

D479,170 S * 9/2003 Boyer D12/196

D491,860 S * 6/2004 Velazco D12/196

D511,129 S * 11/2005 Nagashima D12/196

FIG. 7 is a right perspective view FIG. 6;

FIG. 8 is a front view FIG. 6;

FIG. 9 is a left side view FIG. 6; and,

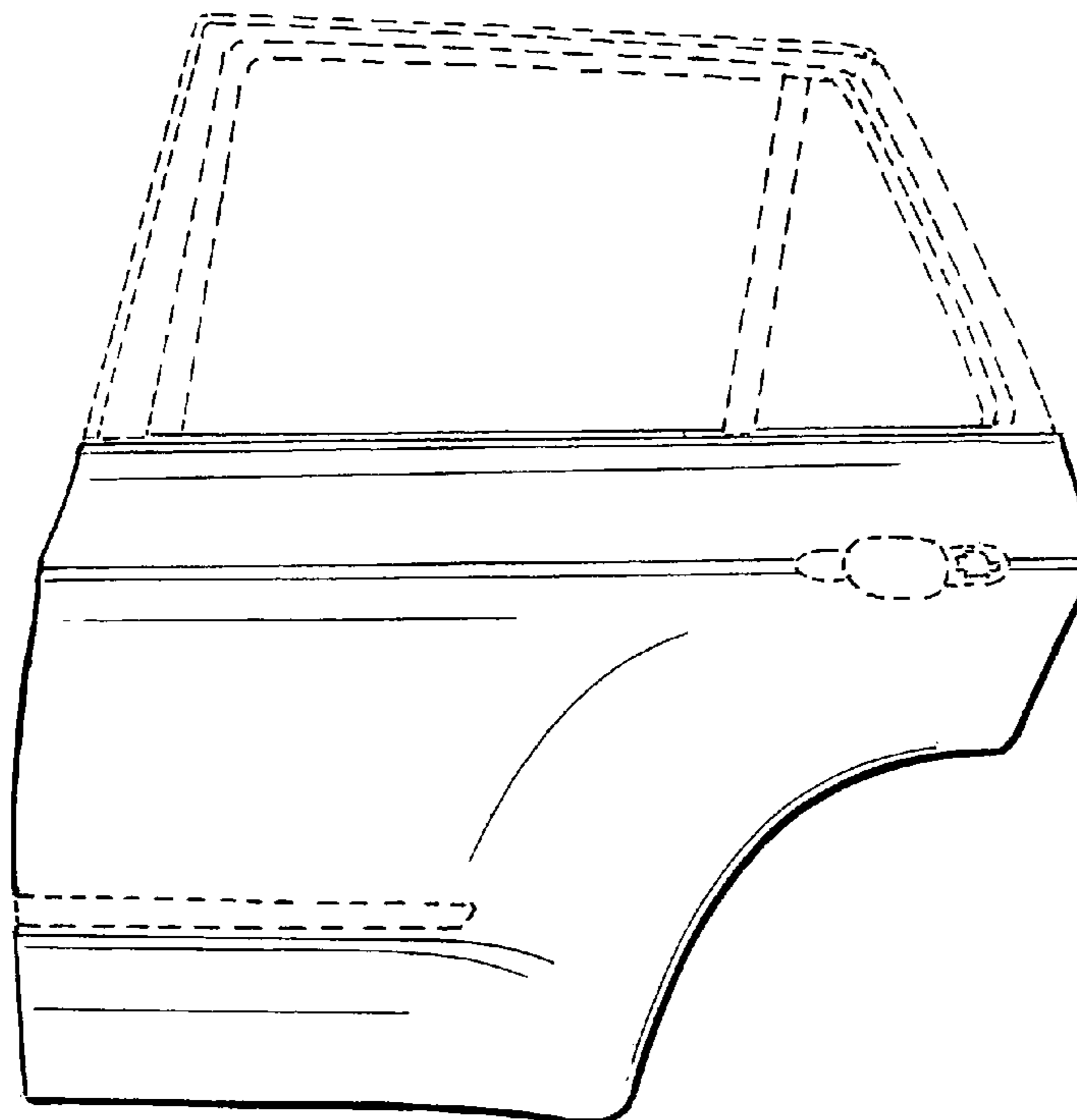
FIG. 10 is a right side view FIG. 6.

* cited by examiner

The broken lines are for illustrative purposes only and form no part of the claimed design.

Primary Examiner—Melody N. Brown

1 Claim, 4 Drawing Sheets



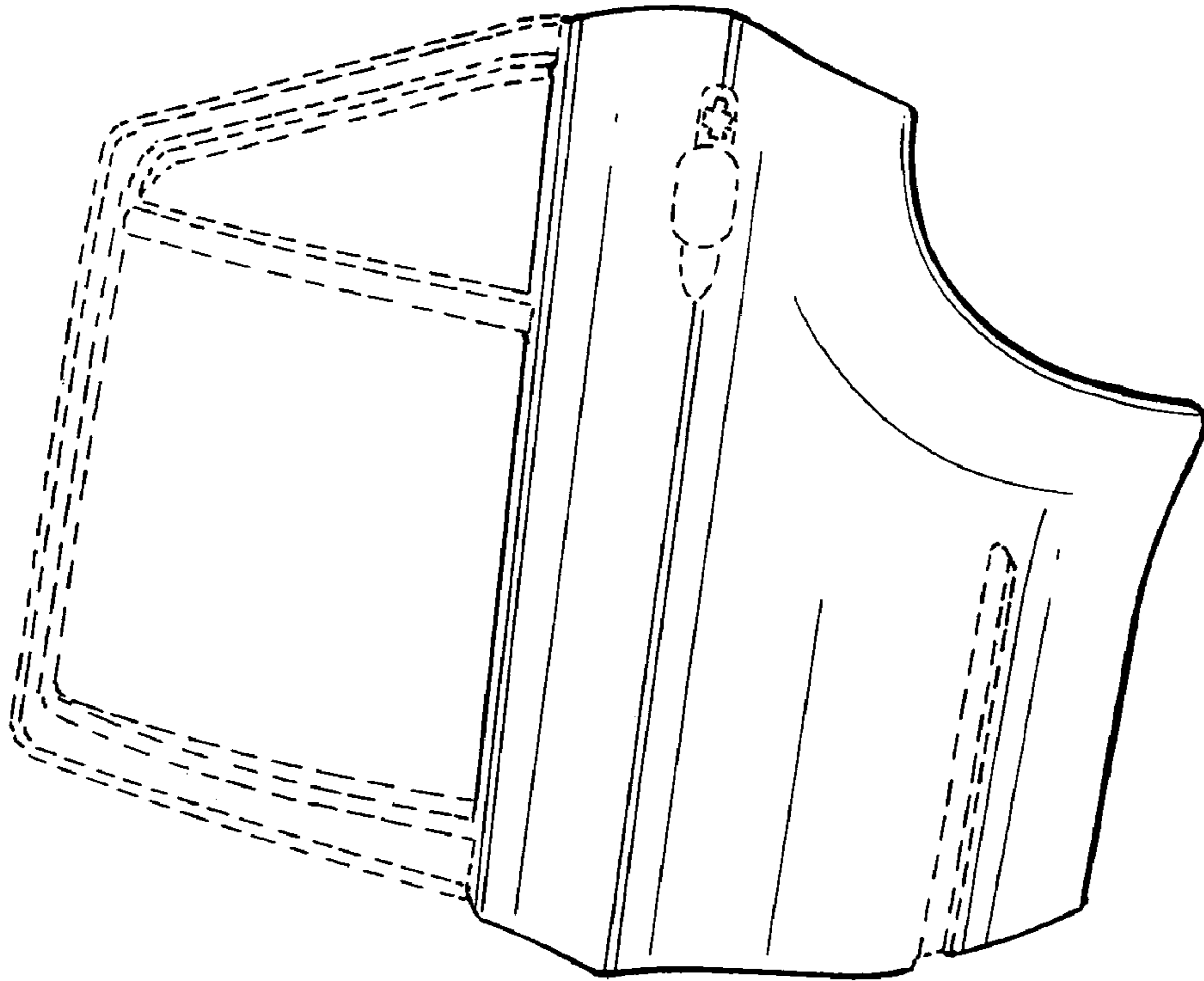


FIG. 2

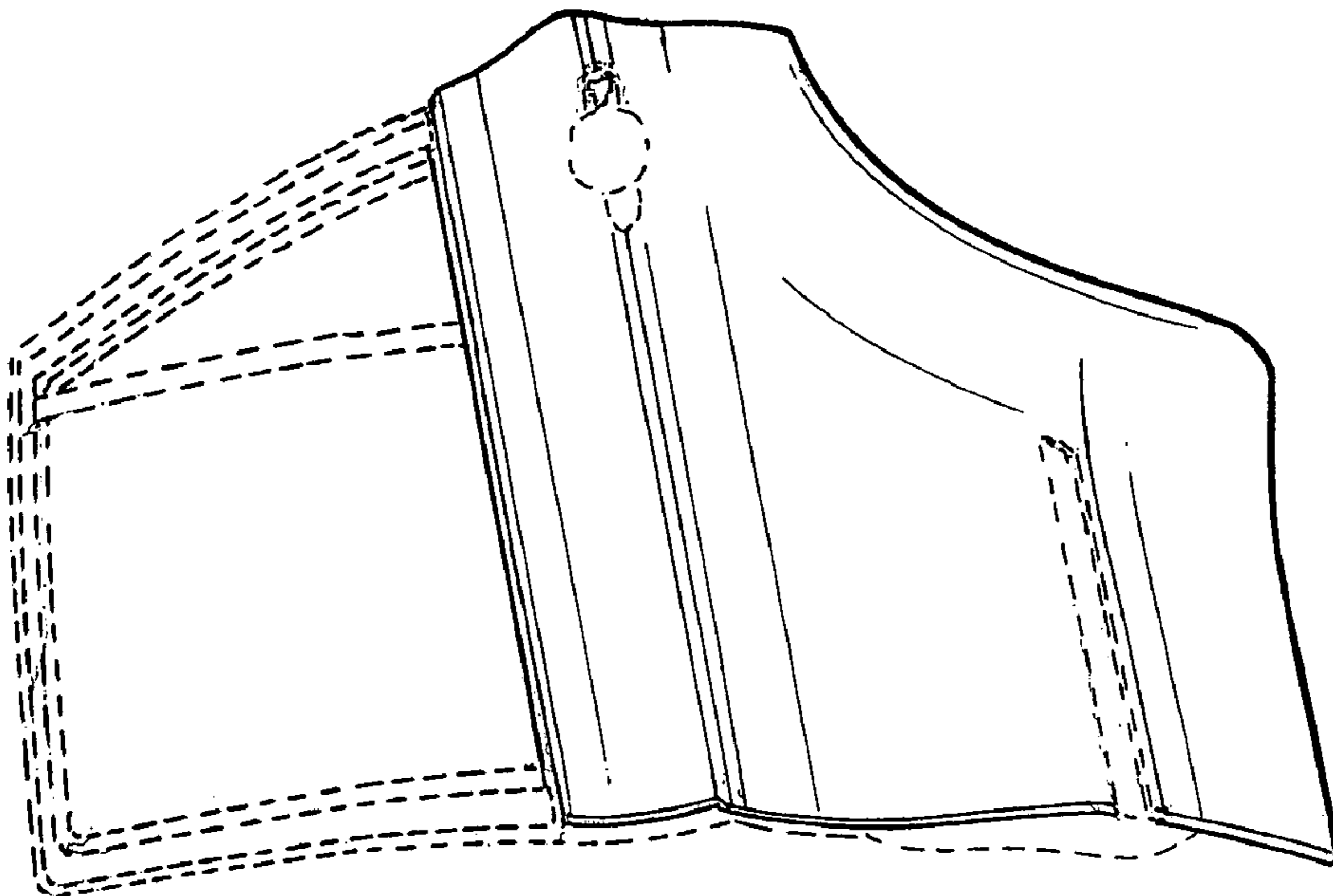


FIG. 1

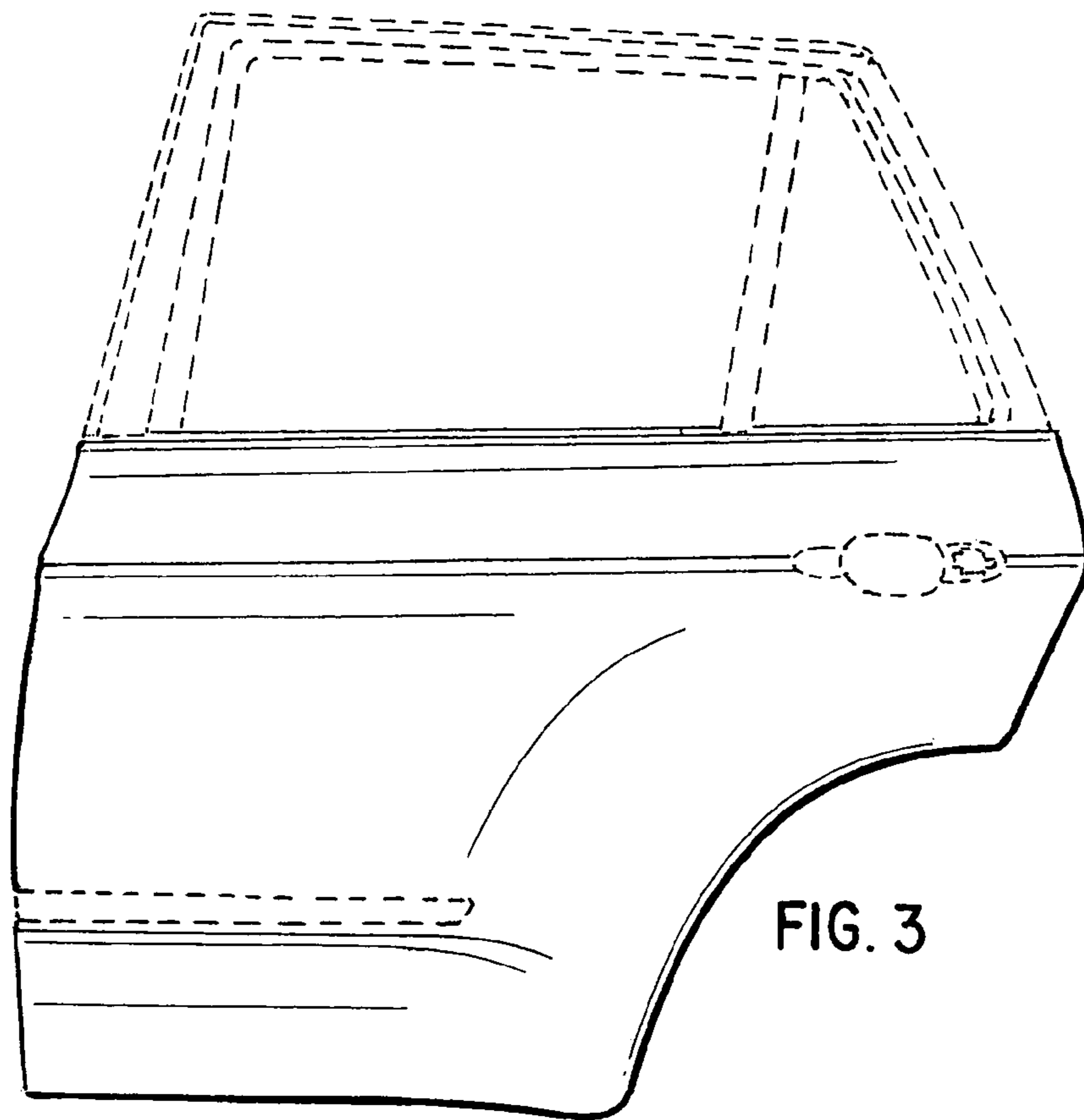


FIG. 3

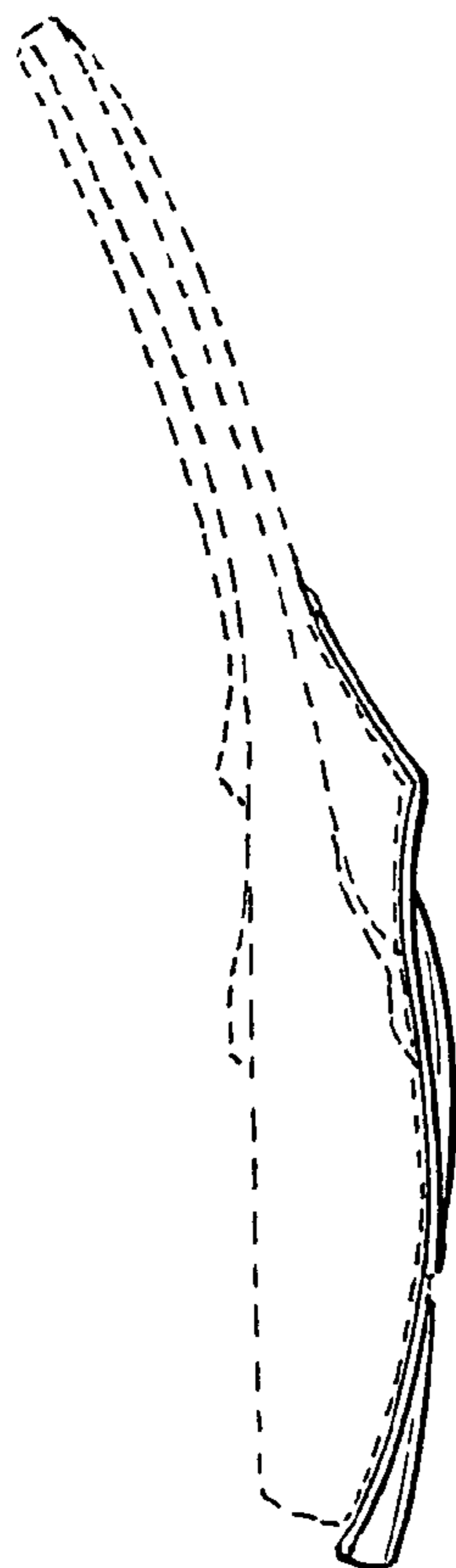


FIG. 4

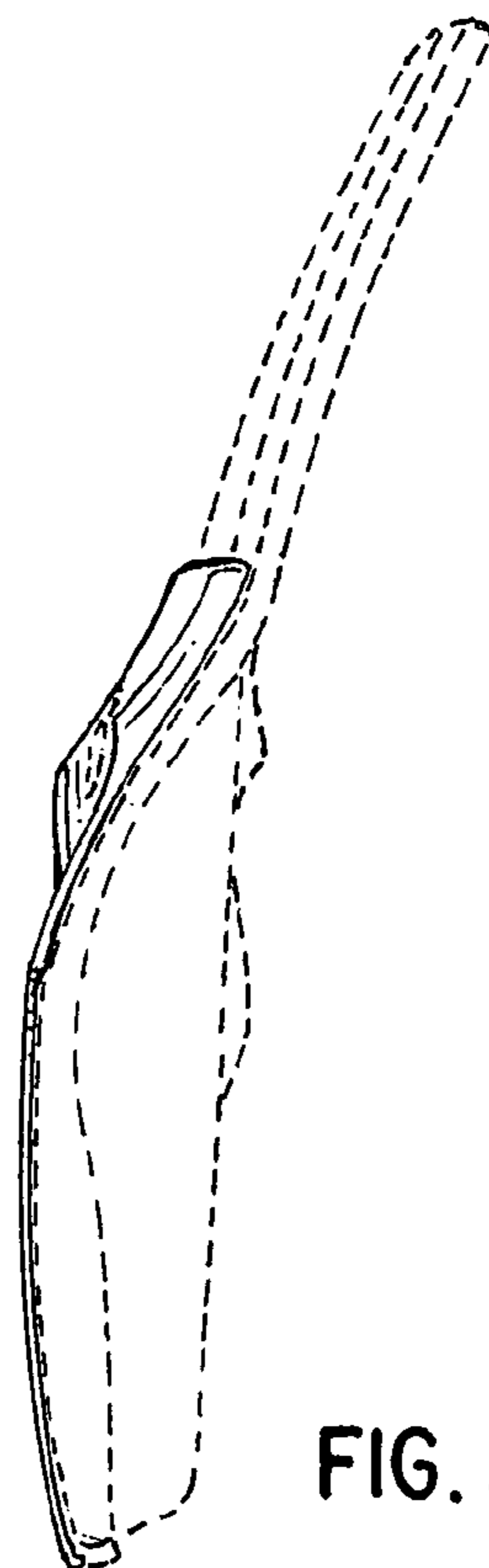


FIG. 5

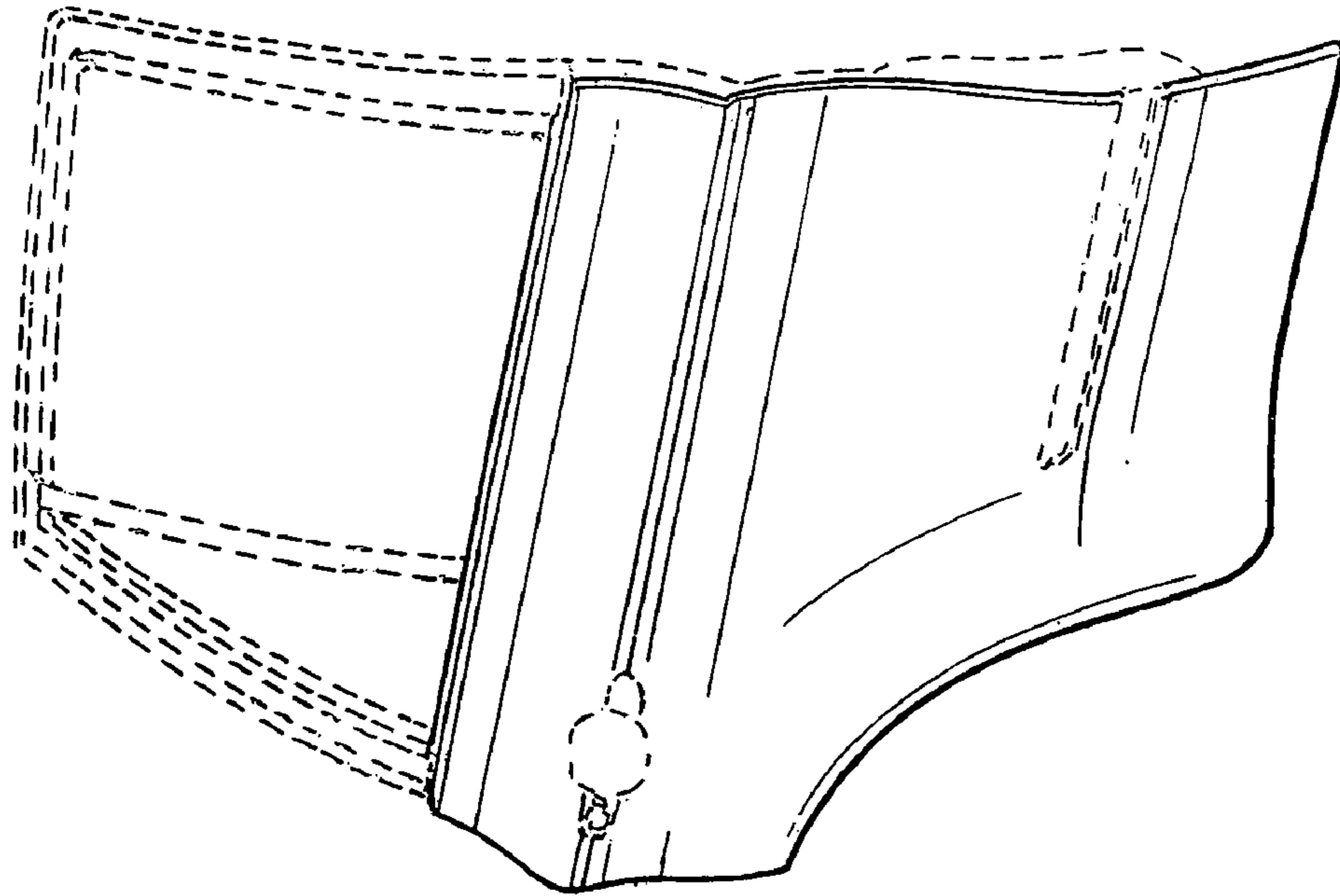


FIG. 7

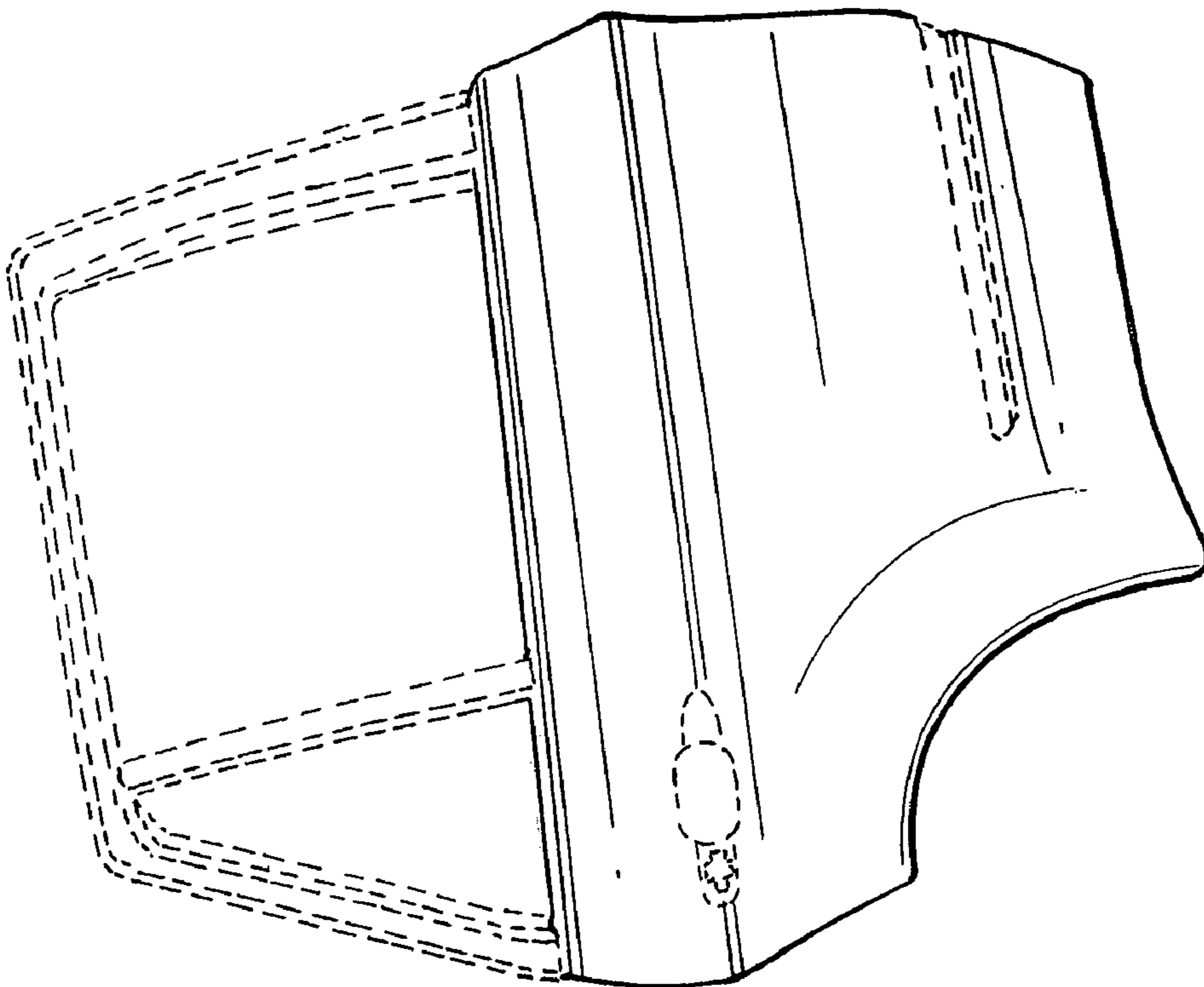


FIG. 6

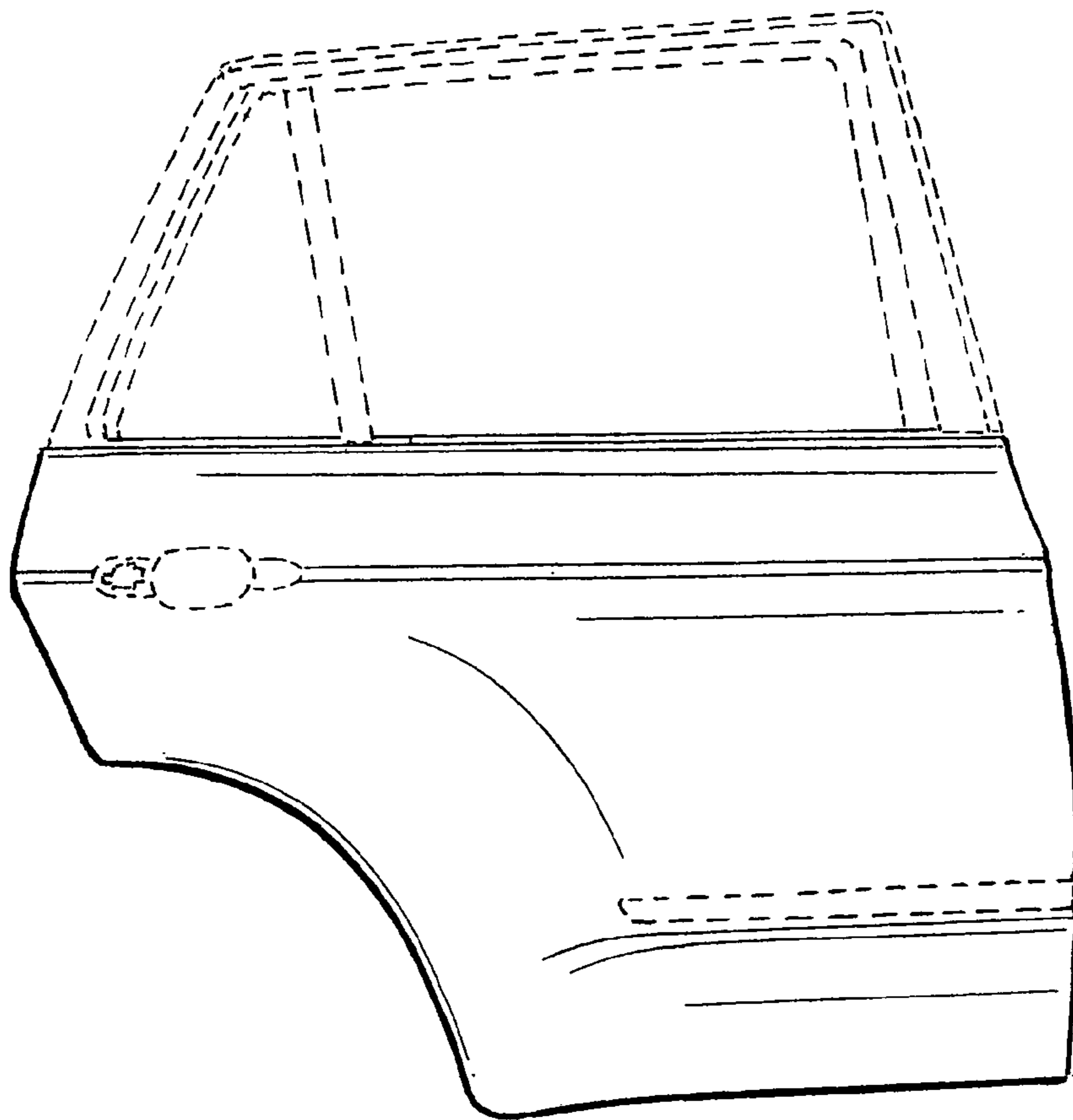


FIG. 8

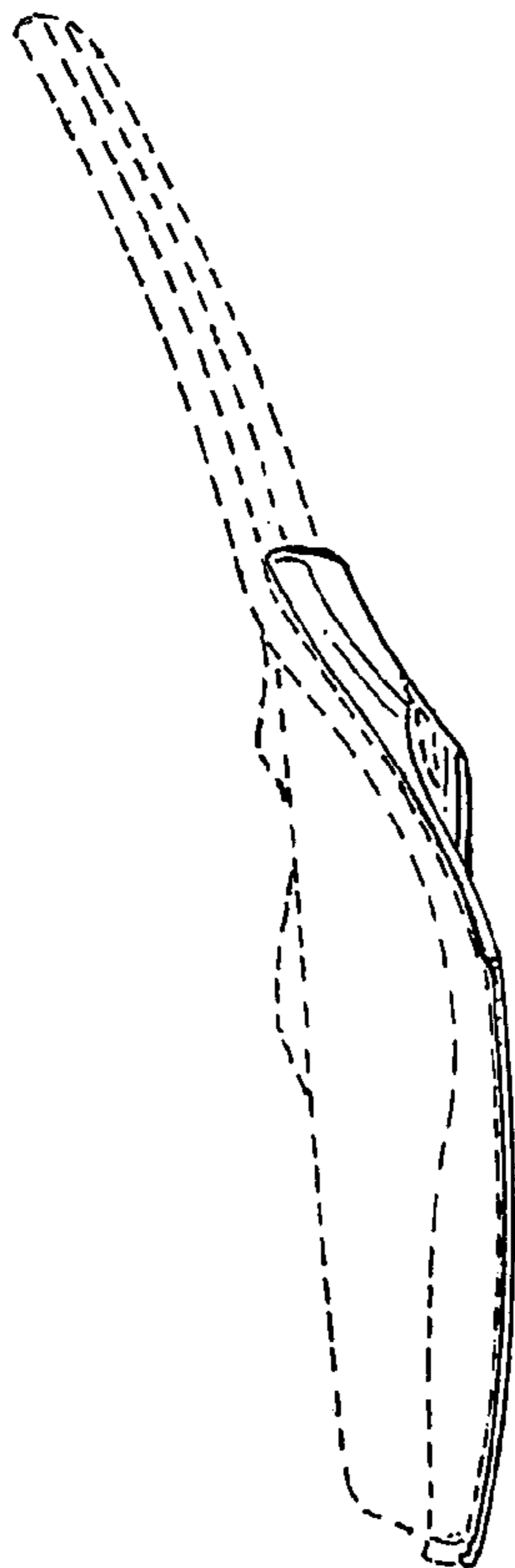


FIG. 9

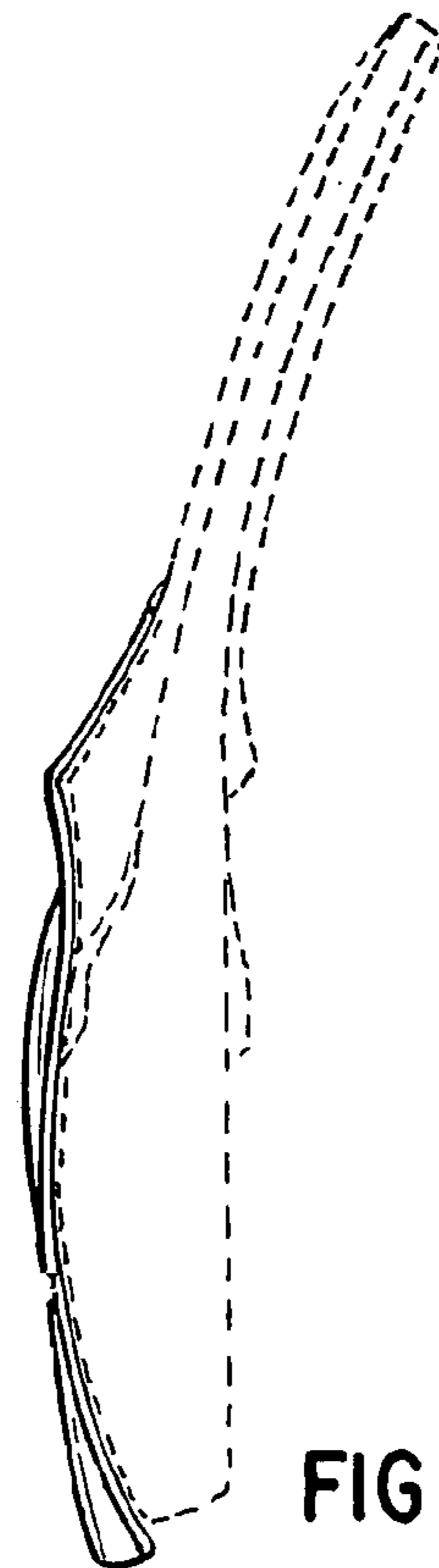


FIG. 10