



US00D558110S

(12) **United States Design Patent** (10) **Patent No.:** **US D558,110 S**  
**Ozeki et al.** (45) **Date of Patent:** **\*\* Dec. 25, 2007**

(54) **DASHBOARD FOR A MOTOR VEHICLE**

(75) Inventors: **Norio Ozeki**, Toyota (JP); **Jaromir Cech**, Sophia Antipolis Cedex (FR); **Yuzi Tuchiya**, Kariya (JP); **Kouji Shimizu**, Osaka (JP)

(73) Assignee: **Toyota Jidosha Kabushiki Kaisha**, Toyota (JP)

(\*\*) Term: **14 Years**

(21) Appl. No.: **29/272,355**

(22) Filed: **Feb. 7, 2007**

(51) **LOC (8) Cl.** ..... **12-16**

(52) **U.S. Cl.** ..... **D12/192**

(58) **Field of Classification Search** ..... D12/192,  
D12/345, 317; 180/90; 280/750-752;  
296/190.01-190.09, 70; D15/17, 28; D10/46,  
D10/98, 102-103; 362/482, 489; 73/431,  
73/866.3

See application file for complete search history.

(56) **References Cited**

**U.S. PATENT DOCUMENTS**

D423,434 S *	4/2000	Yano et al. ....	D12/192
D449,263 S *	10/2001	Yamazaki et al. ....	D12/192
D470,091 S *	2/2003	Kraus et al. ....	D12/192
D480,671 S *	10/2003	Pfeiffer et al. ....	D12/192
D489,660 S *	5/2004	Okumura et al. ....	D12/192
D499,998 S *	12/2004	Tanaka et al. ....	D12/192
D501,811 S *	2/2005	Fukuda et al. ....	D12/192
D512,006 S *	11/2005	Sims .....	D12/192

D512,357 S *	12/2005	Schuttera .....	D12/192
D519,893 S *	5/2006	Kabayama et al. ....	D12/192
D532,353 S *	11/2006	Honda et al. ....	D12/192
D532,730 S *	11/2006	Kohara et al. ....	D12/192
D538,721 S *	3/2007	Woodard et al. ....	D12/192

**OTHER PUBLICATIONS**

Nissan Murano, Brochure of Murano, Jul. 31, 2002; Nissan Motor Co., Ltd.  
Volvo S40, Brochure of Volvo S40, Jul. 2005; Volvo Cars.  
Porsche Boxster, Brochure of Boxster, Apr. 2006; Dr. Ing. h.c. F. Porsche AG.

\* cited by examiner

*Primary Examiner*—Stacia Cadmus

(74) *Attorney, Agent, or Firm*—Finnegan, Henderson, Farabow, Garrett & Dunner, L.L.P.

(57) **CLAIM**

The ornamental design for a dashboard for a motor vehicle, as shown and described.

**DESCRIPTION**

FIG. 1 is a perspective view of a dashboard for a motor vehicle of our new design;

FIG. 2 is a front view thereof;

FIG. 3 is a top plan view thereof;

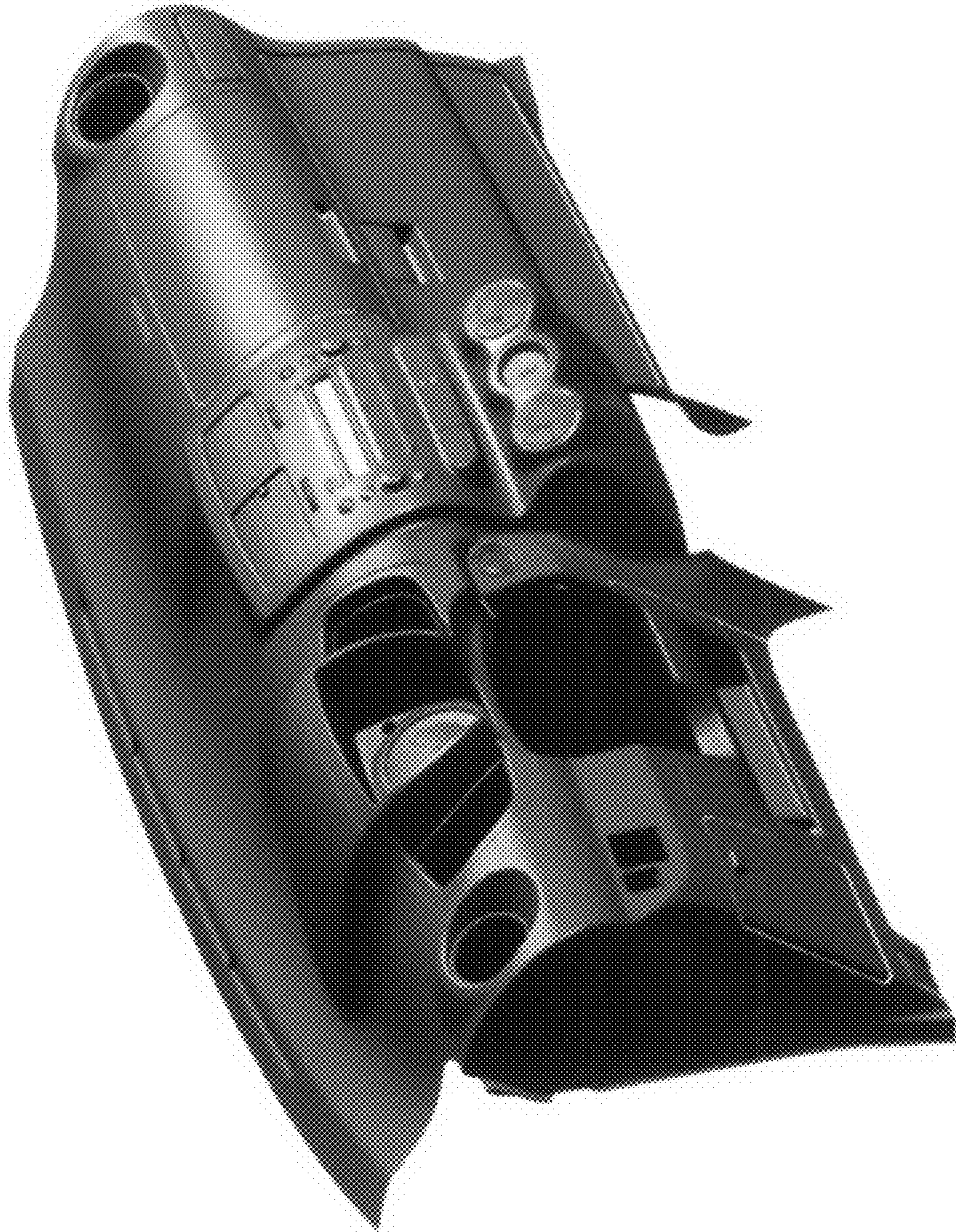
FIG. 4 is a bottom plan view thereof;

FIG. 5 is a right-side view thereof; and,

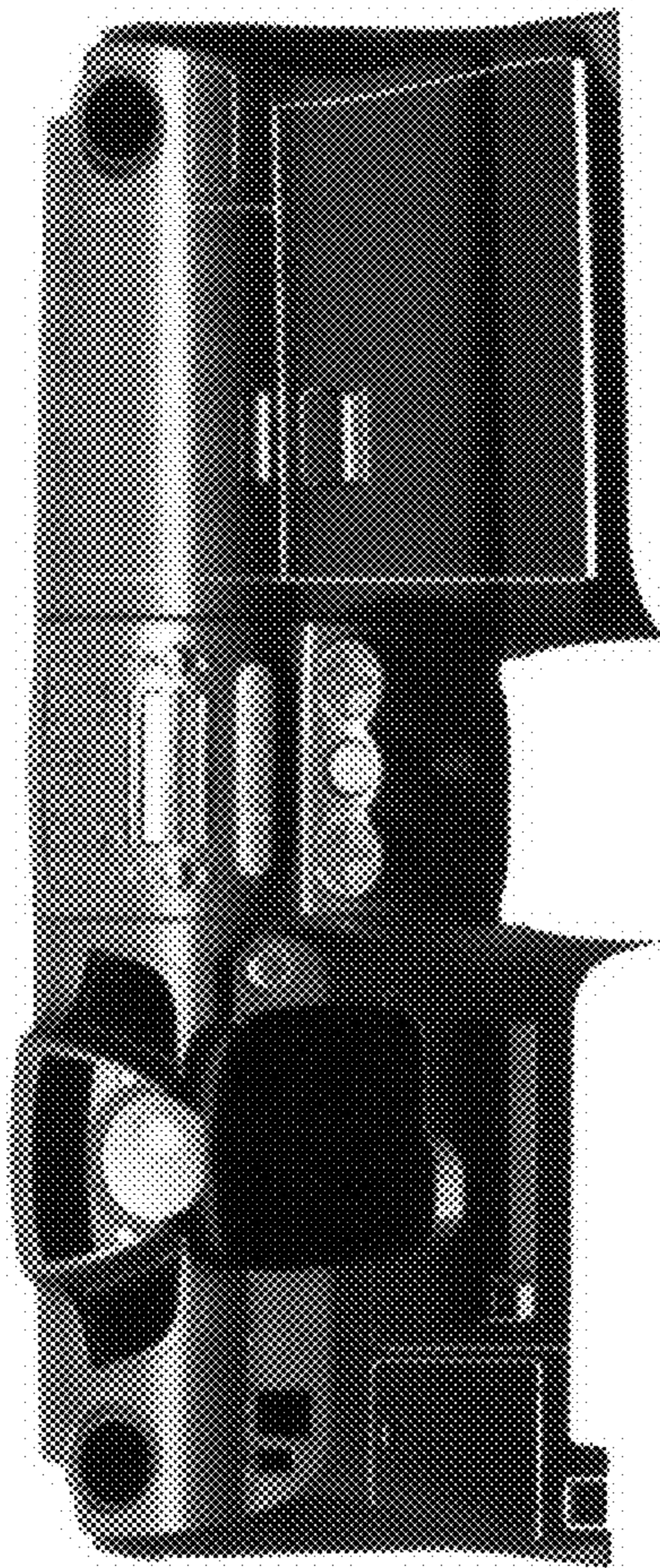
FIG. 6 is a left-side view thereof.

**1 Claim, 3 Drawing Sheets**

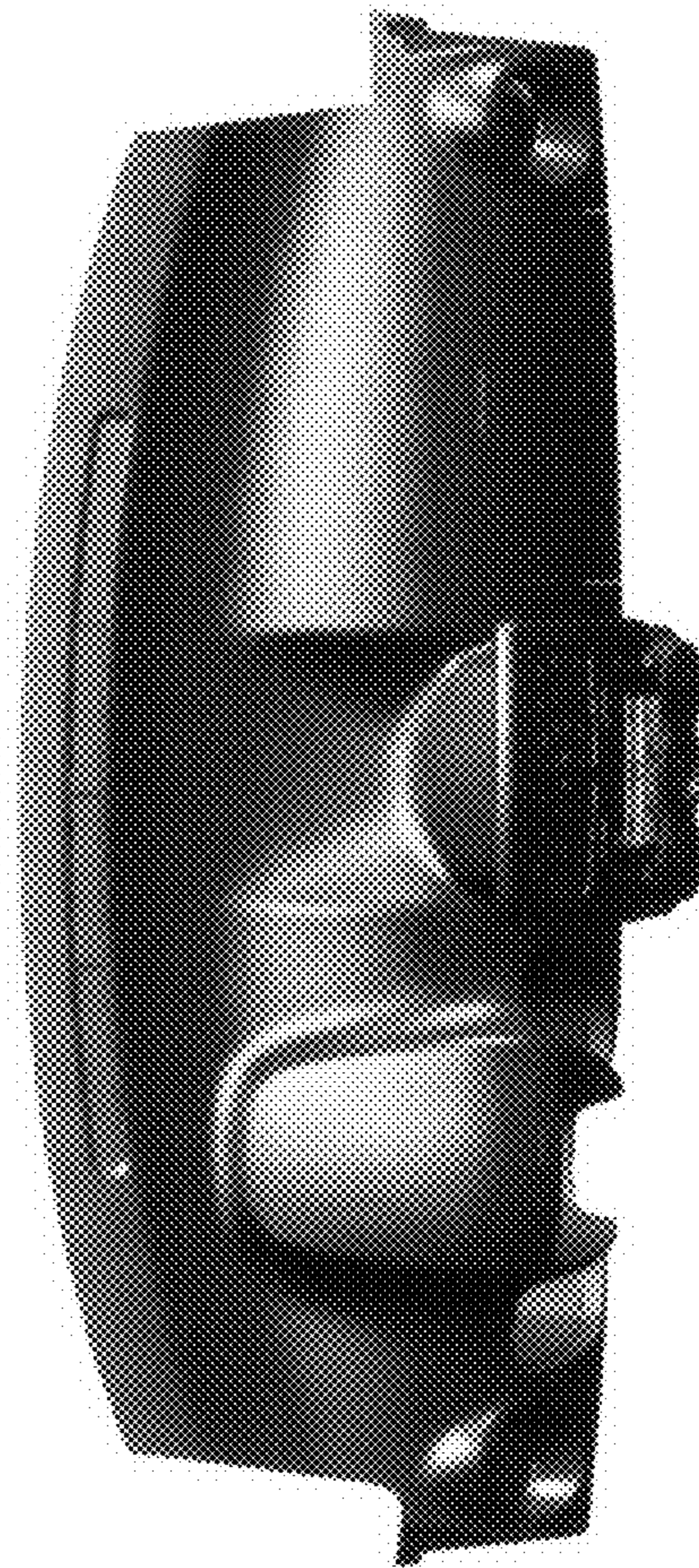




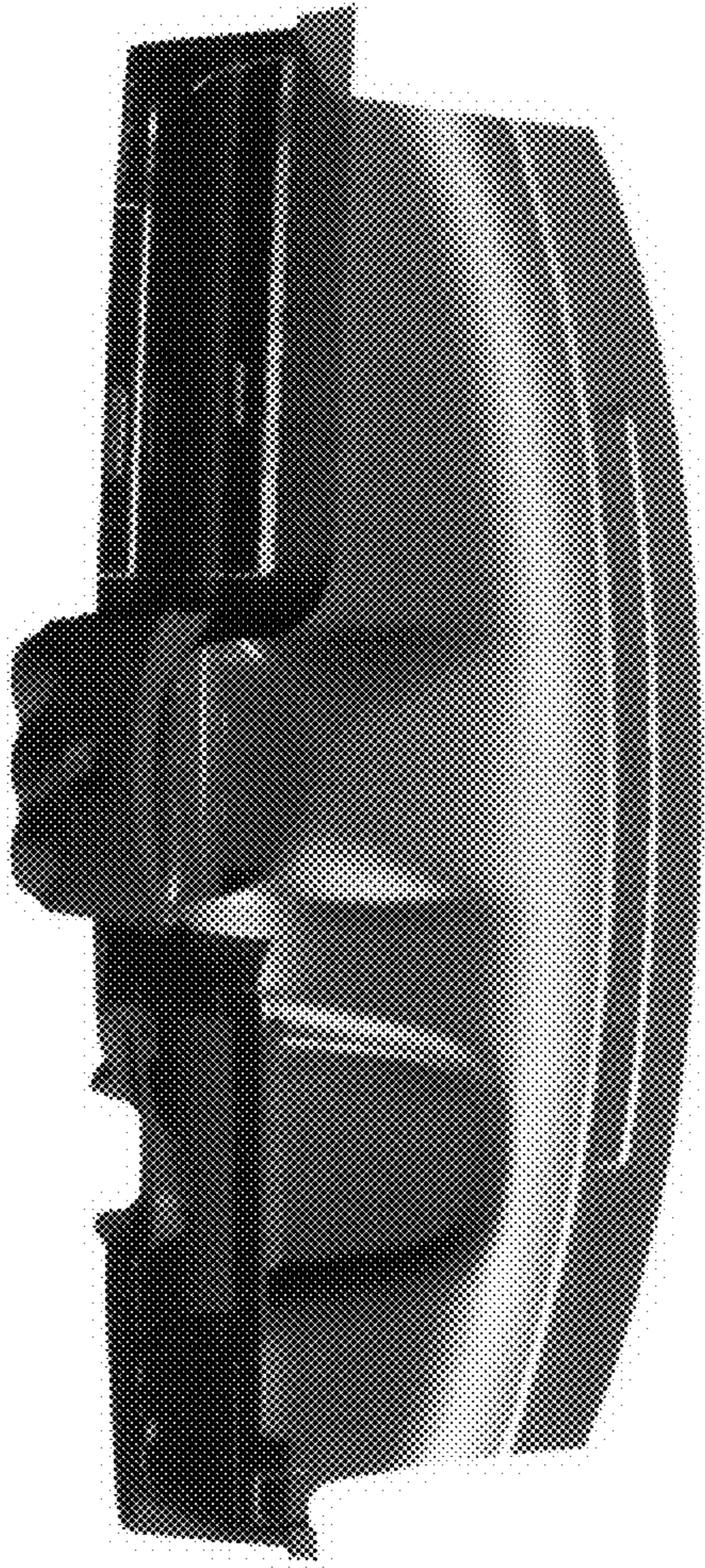
**FIG. 1**



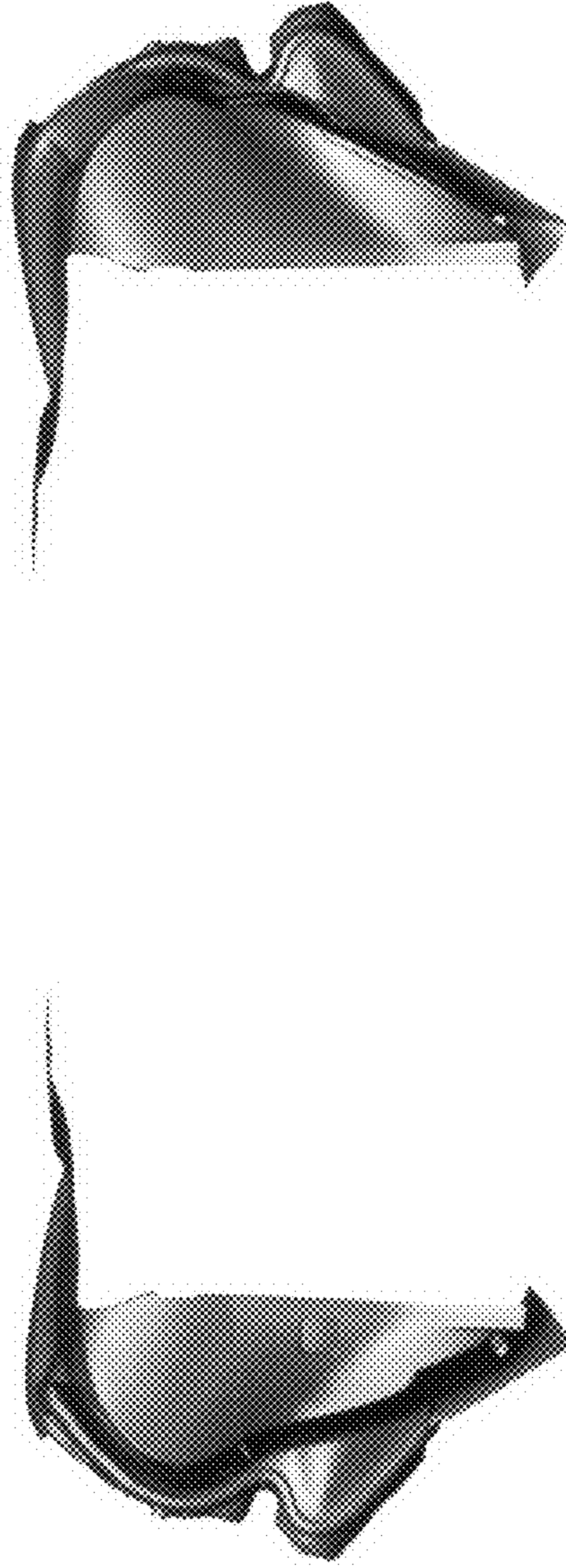
**FIG. 2**



**FIG. 3**



**FIG. 4**



**FIG. 5**

**FIG. 6**