



US00D558106S

(12) **United States Design Patent**
Prost-Fin et al.

(10) **Patent No.:** **US D558,106 S**
(45) **Date of Patent:** **** Dec. 25, 2007**

(54) **STEERING WHEEL**

EP 1 502 835 A1 2/2005

(75) Inventors: **Marc Prost-Fin**, Berlin (DE);
Friederike Keudel, Berlin (DE); **Delf**
Neumann, Berlin (DE)

OTHER PUBLICATIONS

Automotive Steering Wheel Design, Car and Driver, Sep. 26, 2004,
Issue 18, p. 18.

(73) Assignee: **Takata-Petri AG**, Aschaffenburg (DE)

* cited by examiner

(**) Term: **14 Years**

Primary Examiner—Melody N. Brown

(21) Appl. No.: **29/262,600**

(74) *Attorney, Agent, or Firm*—Foley & Lardner LLP

(22) Filed: **Jul. 7, 2006**

(57) **CLAIM**

(30) **Foreign Application Priority Data**

We claim the ornamental design for a steering wheel, as
shown and described.

Feb. 10, 2006 (DE) 406 00 908

(51) **LOC (8) Cl.** **12-16**

DESCRIPTION

(52) **U.S. Cl.** **D12/176**

(58) **Field of Classification Search** D12/175–177;
74/552, 558, 558.5

FIG. 1 is a left side and front perspective view of a steering
wheel of the claimed design;

See application file for complete search history.

FIG. 2 is a front elevational view thereof;

(56) **References Cited**

FIG. 3 is a rear elevational view thereof;

U.S. PATENT DOCUMENTS

FIG. 4 is a right side view thereof;

D476,930 S * 7/2003 Sieghart D12/176

FIG. 5 is a left side view thereof;

D511,485 S * 11/2005 Juraschek et al. D12/176

FIG. 6 is top view thereof; and,

D514,485 S * 2/2006 Juraschek et al. D12/176

FIG. 7 is a bottom view thereof.

D534,465 S * 1/2007 Wiedeman et al. D12/176

The broken lines in the drawings are for illustrative purposes
only and form no part of the claimed design.

2005/0021190 A1 1/2005 Worrell et al.

FOREIGN PATENT DOCUMENTS

DE 102 41 267 A1 3/2004

1 Claim, 4 Drawing Sheets

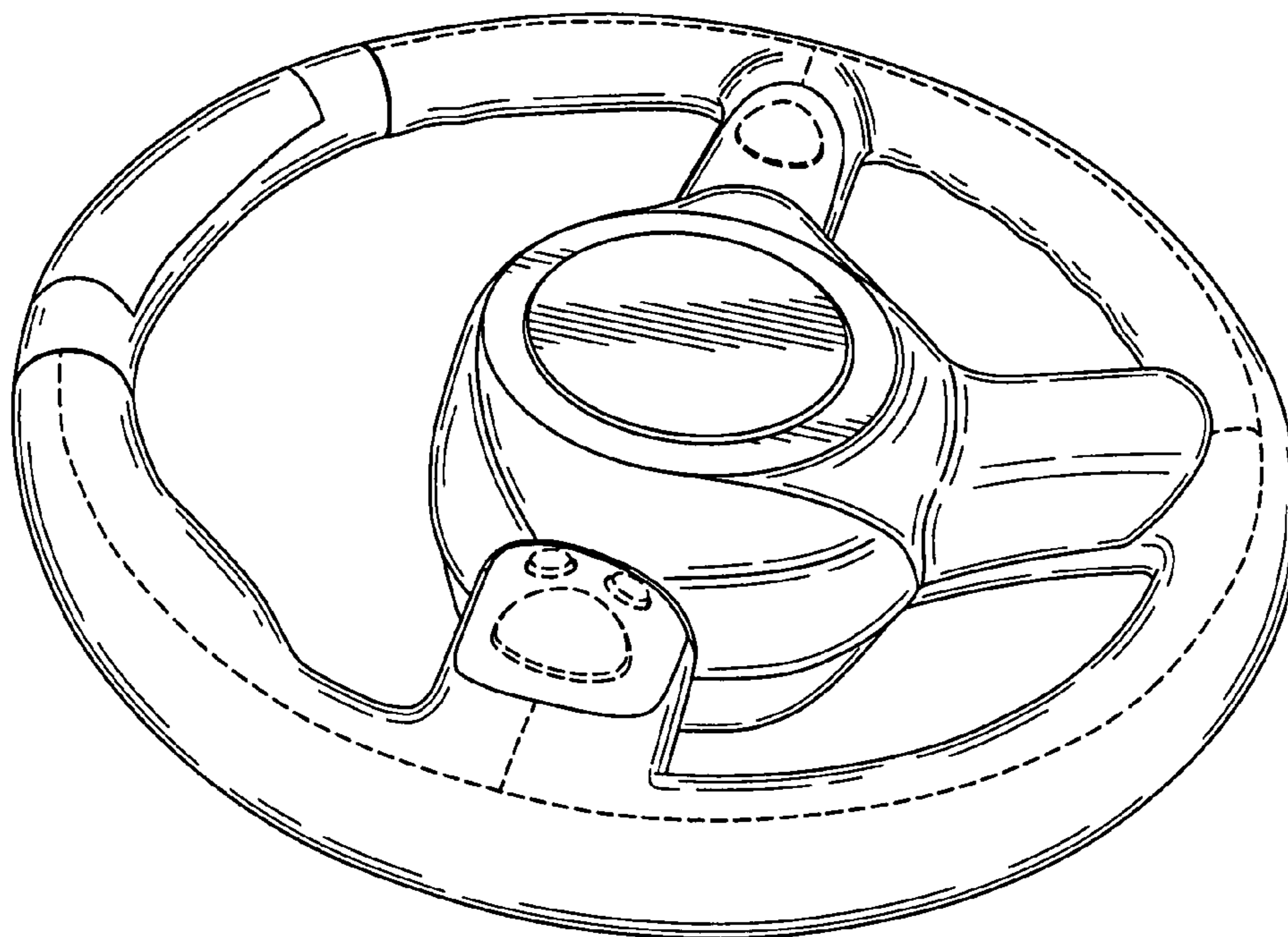


Fig. 1

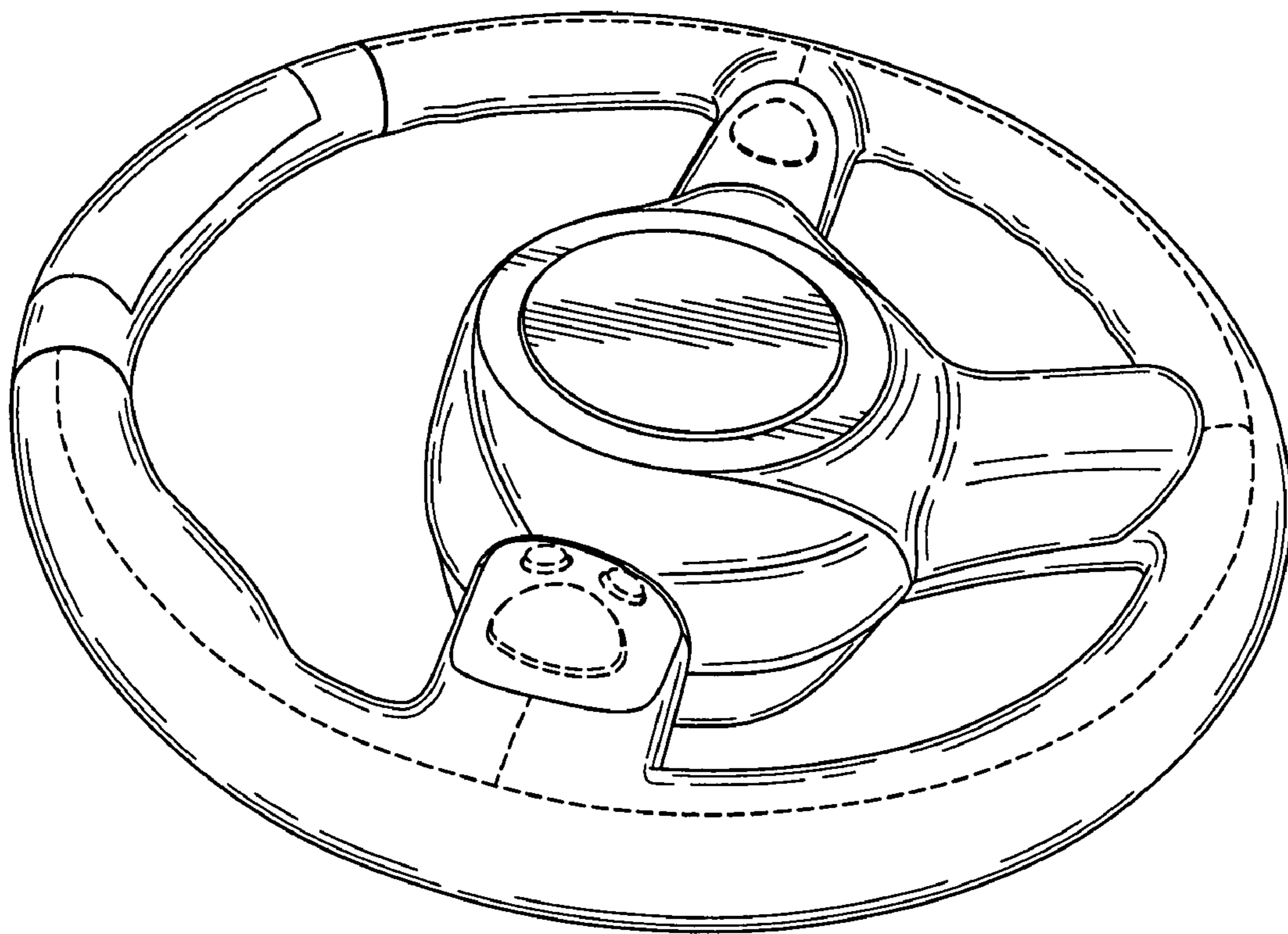


Fig. 3

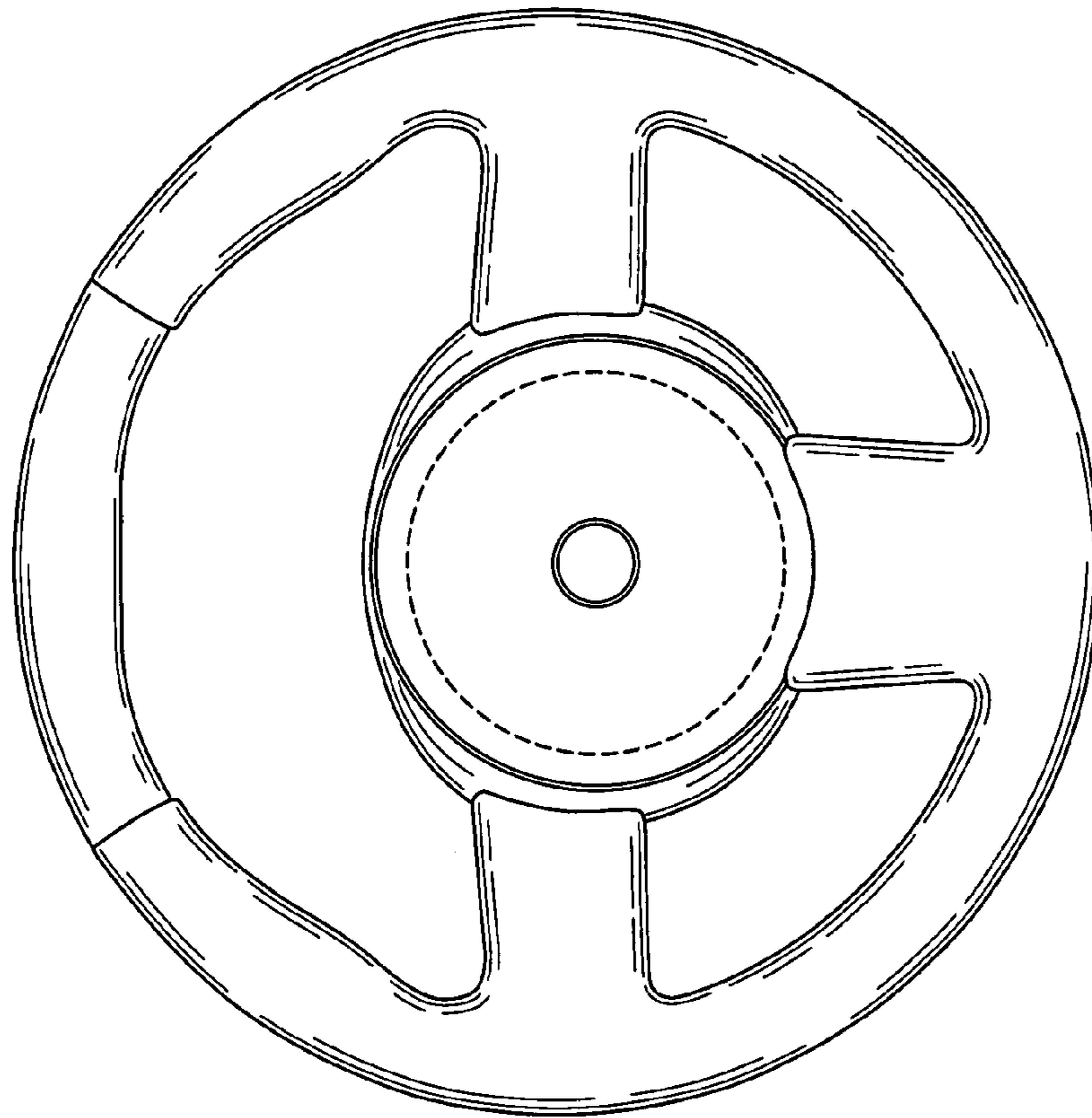


Fig. 2

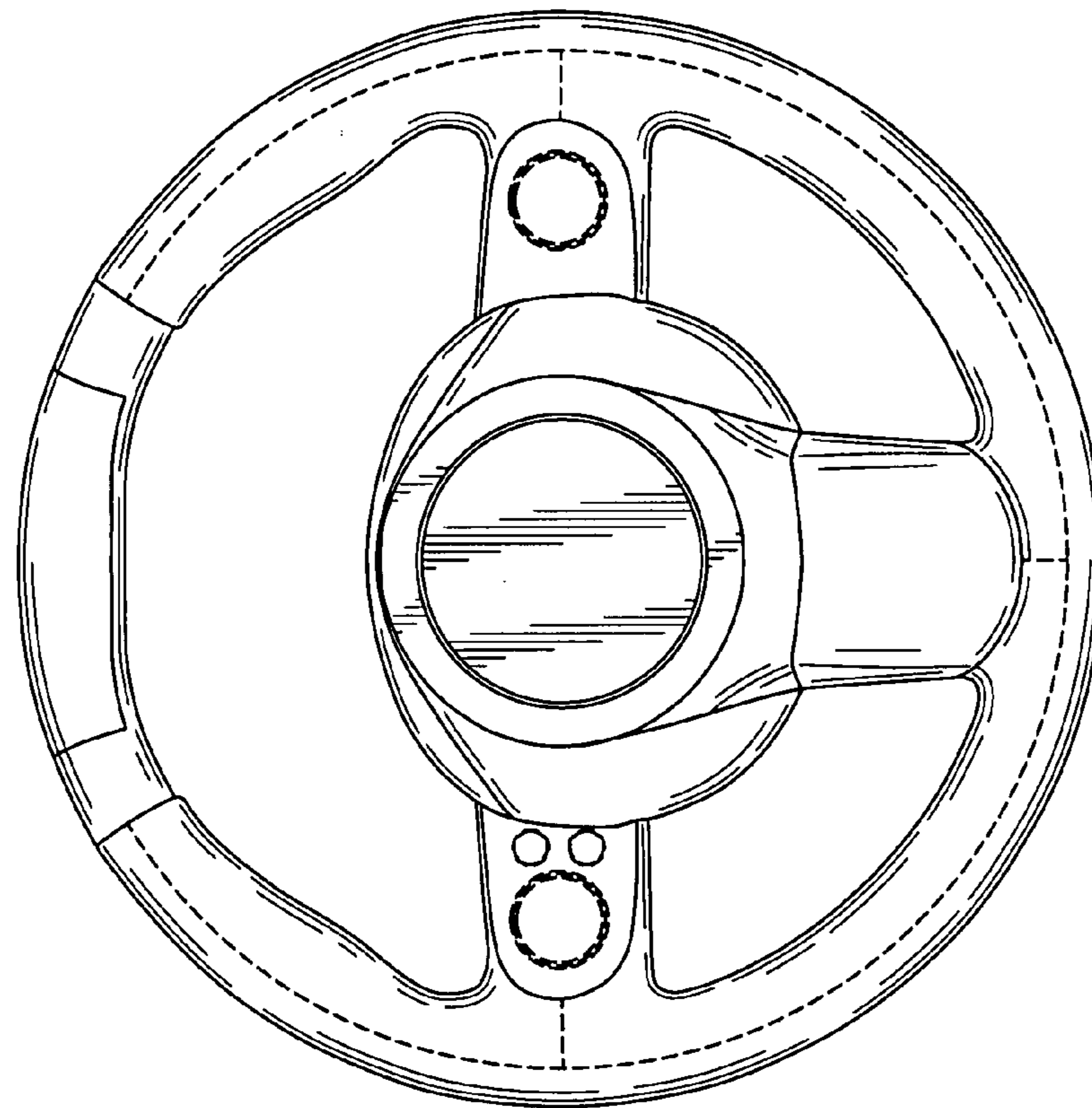


Fig. 5

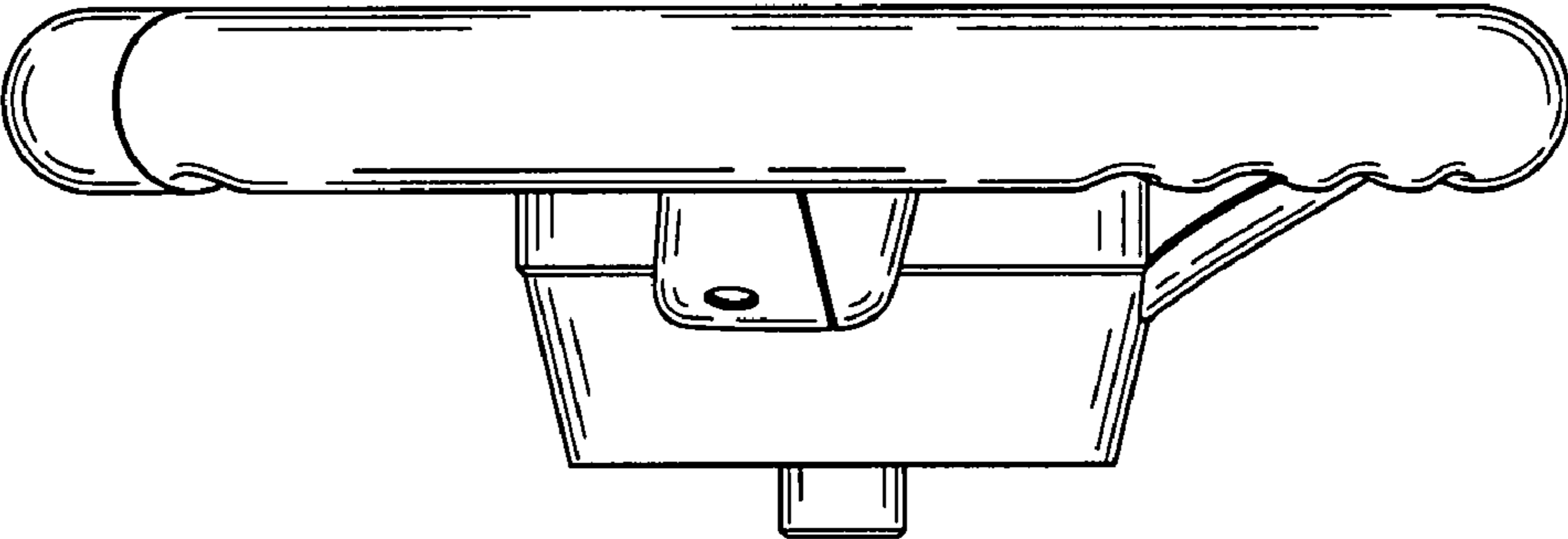


Fig. 4

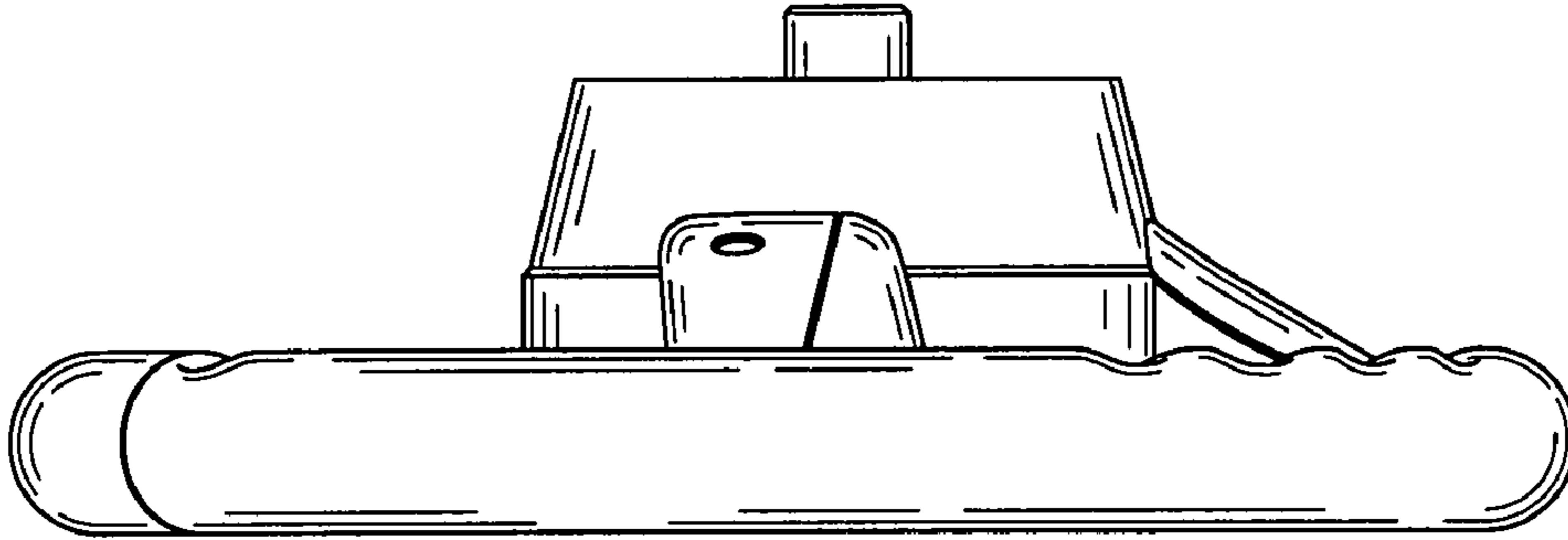


Fig. 7

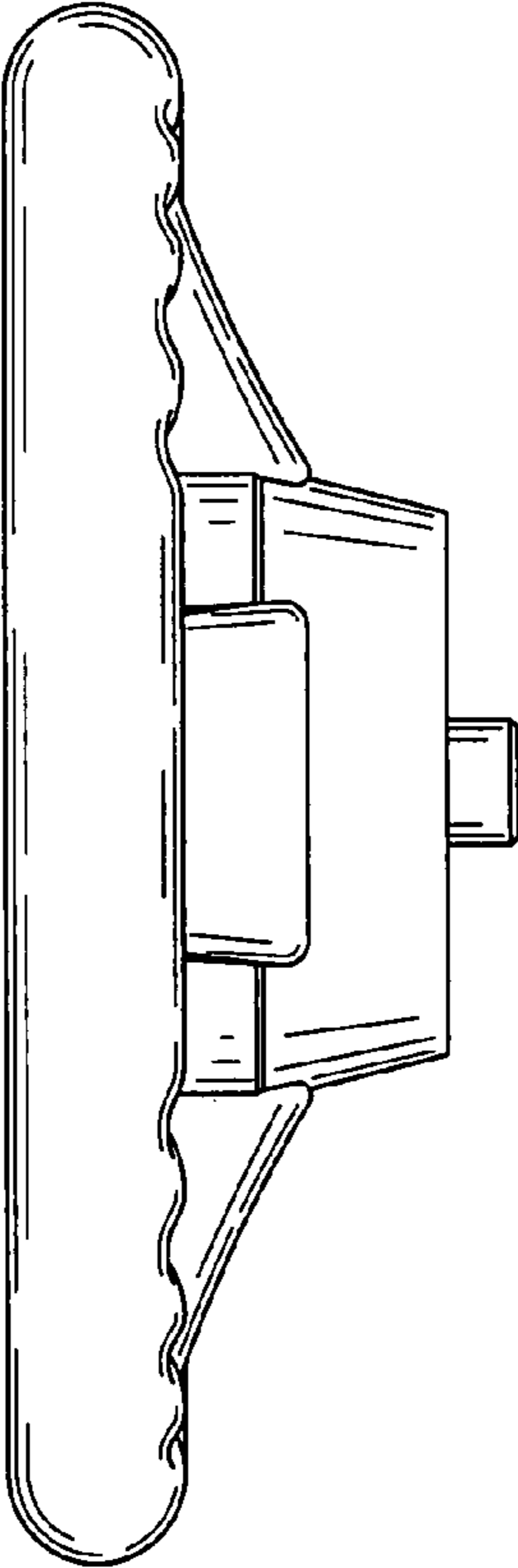


Fig. 6

