



US00D558105S

(12) **United States Design Patent** (10) **Patent No.:** **US D558,105 S**
Bucher et al. (45) **Date of Patent:** **** Dec. 25, 2007**

(54) **VEHICLE FRONT BUMPER COVER**

(75) Inventors: **George Bucher**, Dearborn, MI (US);
Edward Golden, Pinckney, MI (US);
David Mahoney, Orchard Lake, MI (US)

(73) Assignee: **Ford Global Technologies, LLC**,
Dearborn, MI (US)

(**) Term: **14 Years**

(21) Appl. No.: **29/249,741**

(22) Filed: **Oct. 19, 2006**

(51) **LOC (8) Cl.** **12-16**

(52) **U.S. Cl.** **D12/169**

(58) **Field of Classification Search** D12/90-92,
D12/86, 169, 196, 163; 296/180.1, 180.2;
293/102, 113, 115, 117, 120
See application file for complete search history.

(56) **References Cited**

U.S. PATENT DOCUMENTS

D525,388 S	7/2006	Golden et al.	
D525,921 S *	8/2006	Fujiwara et al.	D12/169
D533,483 S	12/2006	Simmons et al.	
D533,819 S *	12/2006	Hogios	D12/169
D534,105 S *	12/2006	Schiavone et al.	D12/169
D539,707 S	4/2007	Golden et al.	
D541,709 S	5/2007	Lau et al.	
D545,731 S	7/2007	Golden et al.	

OTHER PUBLICATIONS

Mercury, Grand Marquis LS, Detroit 2004.
Mercury, Milan Premier V6, Deetroit 2006.
Mercury, Monterey Espace, Detroit 2004206.
Mercury, Concept, Detroit 2005.
Mercury, Mariner Hybrid, New York 2005.

Mercury, Montego Premier Awd, Chicago 2004.

* cited by examiner

Primary Examiner—Melody N. Brown
(74) *Attorney, Agent, or Firm*—Damian Porcari

(57) **CLAIM**

The ornamental design for a vehicle front bumper cover, as shown and described.

DESCRIPTION

FIG. 1 is a front elevational view of our vehicle front bumper cover (as viewed from the front of a vehicle);

FIG. 2 is a right side elevational view thereof;

FIG. 3 is a left side elevational view thereof;

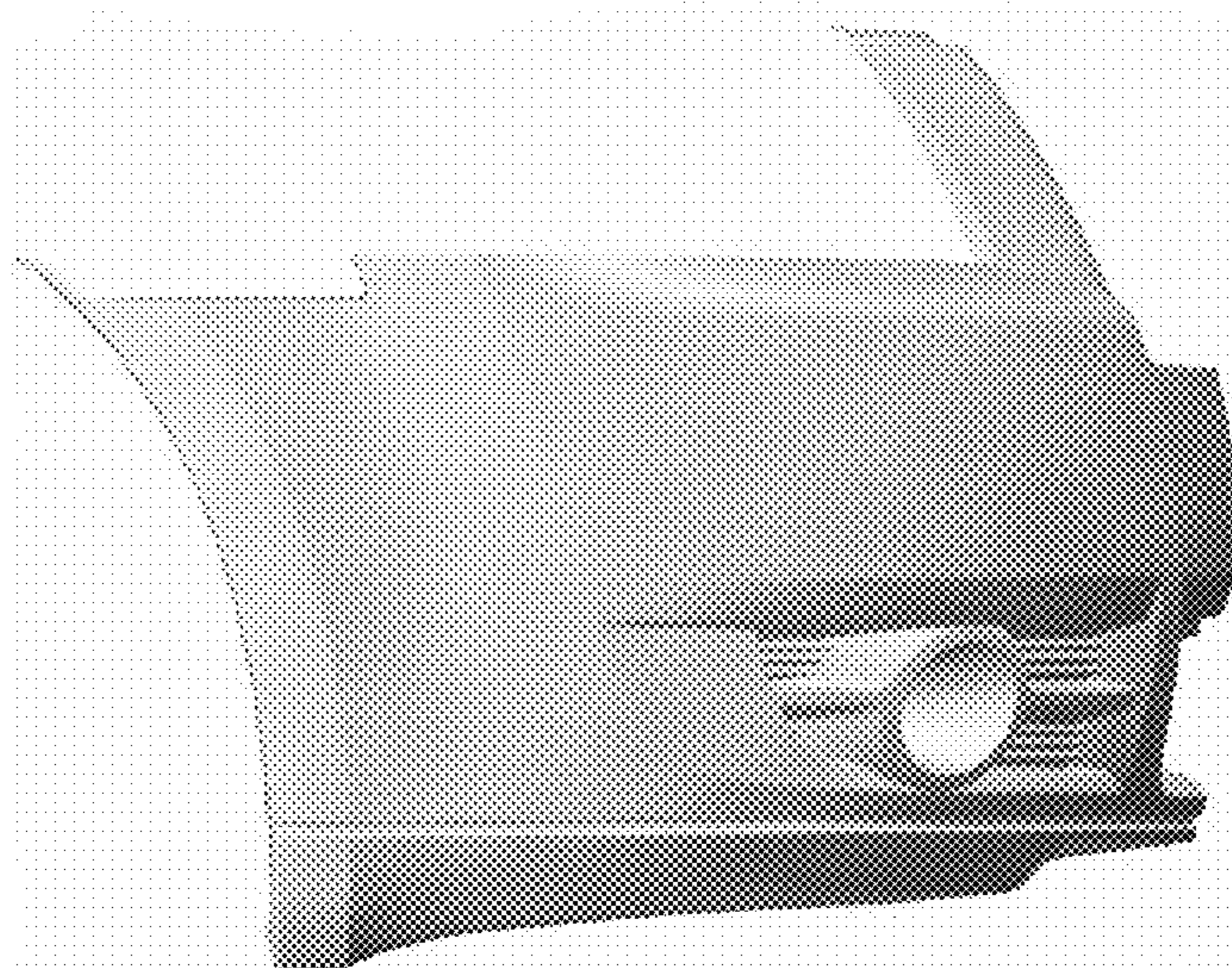
FIG. 4 is a top plan view thereof;

FIG. 5 is bottom plan view thereof; and,

FIG. 6 is a rear elevational view thereof.

The vehicle front bumper cover is styled independently of adjacent vehicle panels. To the extent that any feature lines are illustrated, they are intended to illustrate the crest and valley of the feature and are not necessarily sharp bends in the part. Shading is used to illustrate the curvature of the part and not color. Areas shown in or sounded by broken lines are not claimed. The surface normally visible when the vehicle front bumper cover is attached to a vehicle is called the "Class A" surface is claimed. The surface not normally visible when the vehicle front bumper cover is attached to a vehicle is called the "Class B" surface and is not claimed. Any functional features of the vehicle front bumper cover are not claimed. Views are orthogonal projections unless otherwise noted. The views are not necessarily to scale to better illustrate details.

1 Claim, 5 Drawing Sheets



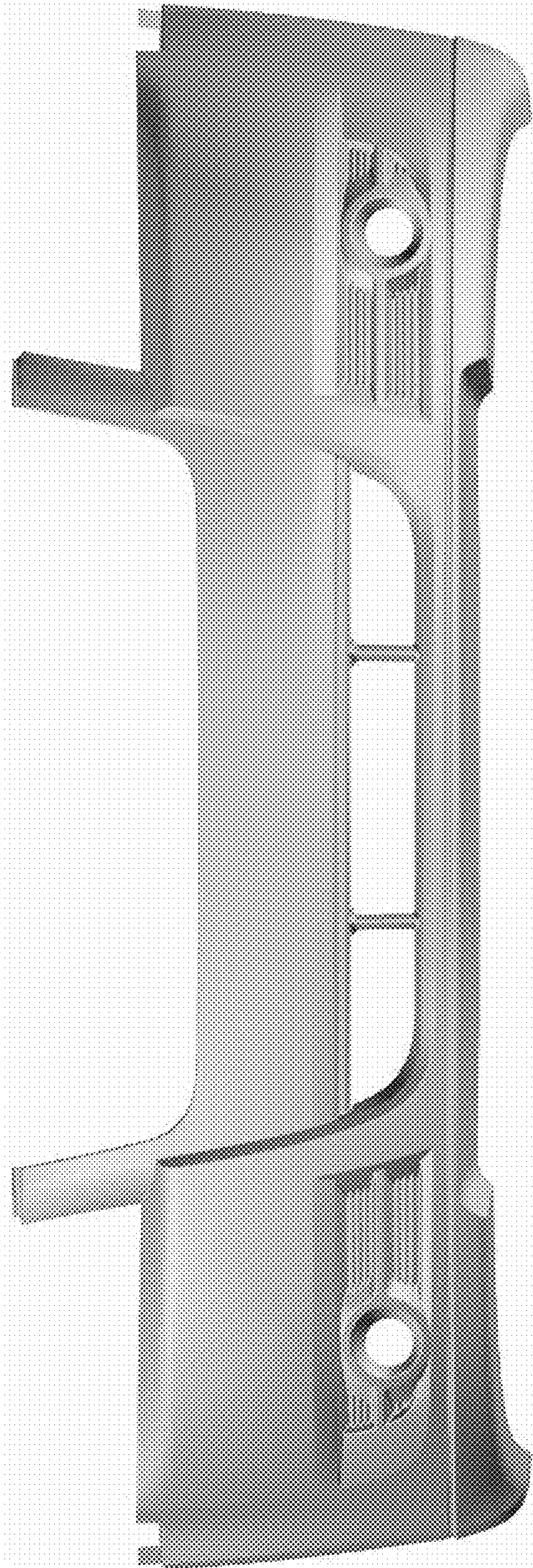


Figure 1

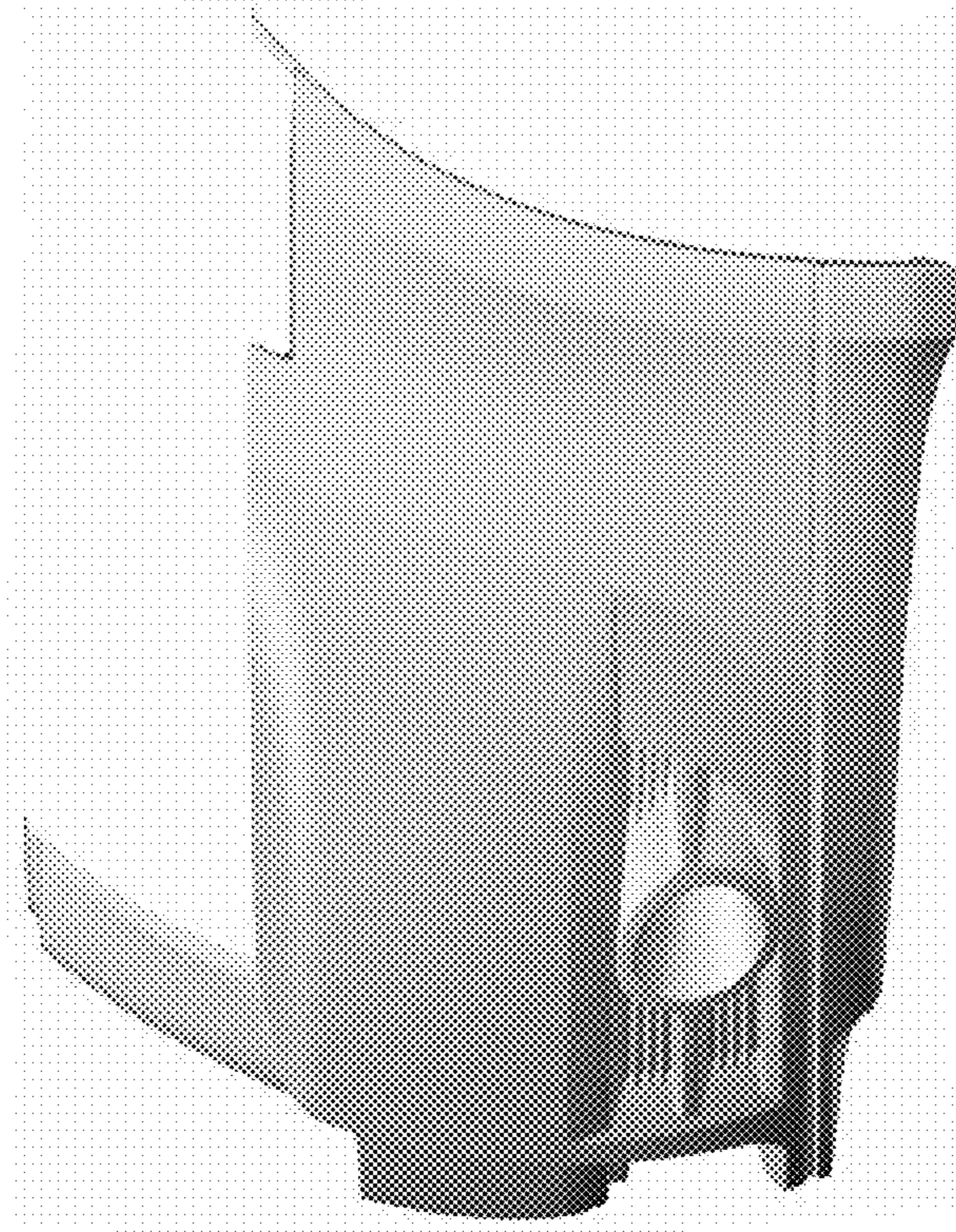


Figure 3

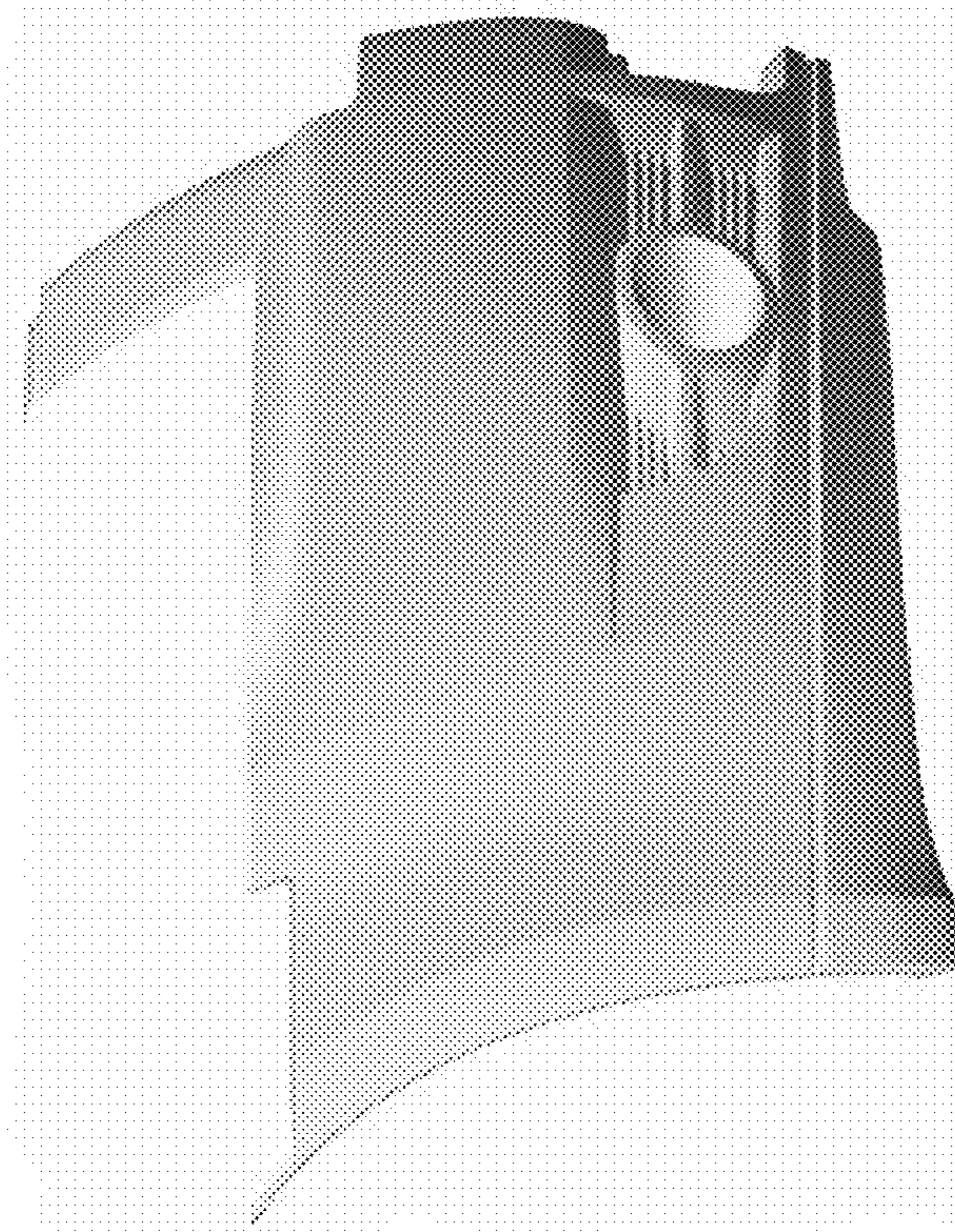


Figure 2



Figure 4



Figure 5

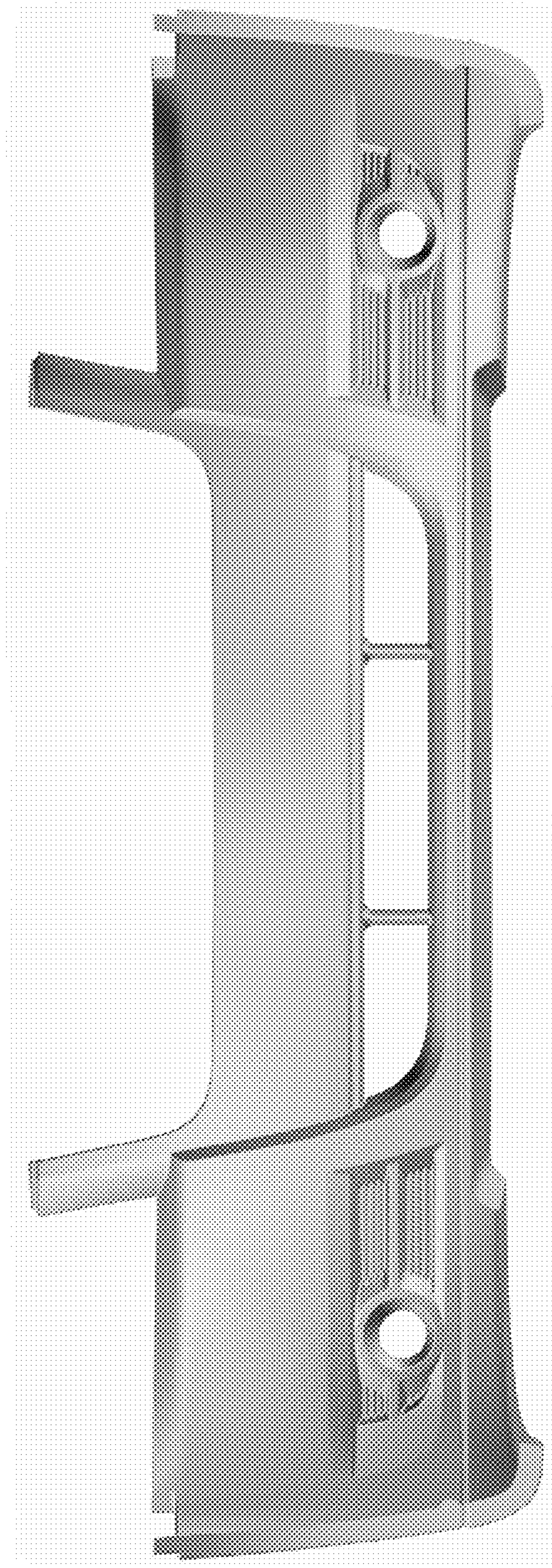


Figure 6