



US00D558103S

(12) **United States Design Patent** (10) **Patent No.:** **US D558,103 S**  
**Bucher et al.** (45) **Date of Patent:** **\*\* Dec. 25, 2007**

(54) **VEHICLE GRILLE**

(75) Inventors: **George Bucher**, Dearborn, MI (US);  
**Edward Golden**, Pinckney, MI (US);  
**David Mahoney**, Orchard Lake, MI  
(US)

(73) Assignee: **Ford Global Technologies, LLC**,  
Dearborn, MI (US)

(\*\*) Term: **14 Years**

(21) Appl. No.: **29/249,740**

(22) Filed: **Oct. 19, 2006**

(51) **LOC (8) Cl.** ..... **12-16**

(52) **U.S. Cl.** ..... **D12/163**

(58) **Field of Classification Search** ..... D12/163,  
D12/171, 90-92, 216; 180/68.1, 68.6; 296/193.1  
See application file for complete search history.

(56) **References Cited**

**U.S. PATENT DOCUMENTS**

D317,585 S	*	6/1991	Uchida	.....	D12/163
D424,993 S	*	5/2000	Farzam	.....	D12/163
D456,752 S	*	5/2002	Leazenby	.....	D12/163
D474,428 S	*	5/2003	Hill et al.	.....	D12/163
D480,996 S	*	10/2003	Takei	.....	D12/163
D501,435 S	*	2/2005	Hosoda et al.	.....	D12/163
D506,167 S	*	6/2005	Wu	.....	D12/163
D525,388 S		7/2006	Golden et al.		
D533,483 S		12/2006	Simmons et al.		
D534,461 S	*	1/2007	Mahoney et al.	.....	D12/163
D536,284 S	*	2/2007	Nakamura et al.	.....	D12/163
D539,707 S	*	4/2007	Golden et al.	.....	D12/163
D541,709 S		5/2007	Lau et al.		
D543,731 S		7/2007	Golden et al.		
D545,728 S	*	7/2007	Golden et al.	.....	D12/163

**OTHER PUBLICATIONS**

U.S. Appl. No. 29/237,807, Lau et al.  
Mercury, Grand Marquis LS, Detroit 2004.

Mercury, Milan Premier V6, Detroit 2006.  
Mercury, Monterey Espace, Detroit 2004206.  
Mercury, Concept, Detroit 2005.  
Mercury, Mariner Hybrid, New York 2005.  
Mercury, Montego Premier Awd, Chicago 2004.

\* cited by examiner

*Primary Examiner*—Melody N. Brown

(74) *Attorney, Agent, or Firm*—Damian Porcari

(57) **CLAIM**

The ornamental design for a vehicle grille, as shown and described.

**DESCRIPTION**

FIG. 1 is a front elevational view of a vehicle grille showing our new design;

FIG. 2 is a right side elevational view thereof;

FIG. 3 is a left side elevational view thereof;

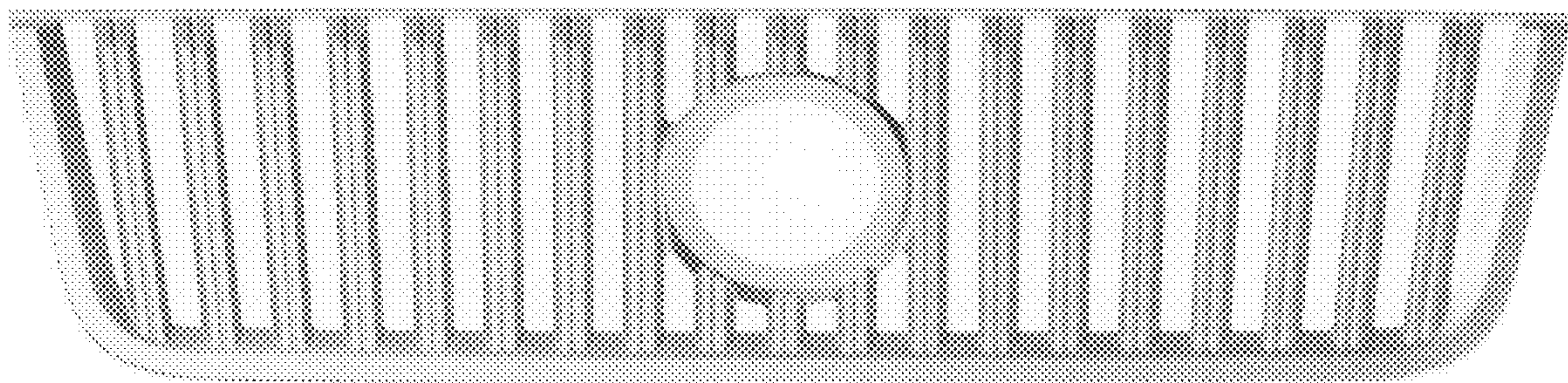
FIG. 4 is a top plan view thereof;

FIG. 5 is a bottom plan view thereof; and,

FIG. 6 is a rear elevational view thereof.

The vehicle grille is styled independently of adjacent vehicle panels. To the extent that any feature lines are illustrated, they are intended to illustrate the crest and valley of the feature and are not necessarily sharp bends in the part. Shading is used to illustrate the curvature of the part and not color. Areas shown in or sounded by broken lines are not claimed. The surface normally visible when the vehicle grille is attached to a vehicle is called the "Class A" surface is claimed. The surface not normally visible when the vehicle grille is attached to a vehicle is called the "Class B" surface and is not claimed. Any functional features of the vehicle grille are not claimed. Views are orthogonal projections unless otherwise noted. The various views are not necessarily to scale in order to better illustrate the design.

**1 Claim, 4 Drawing Sheets**





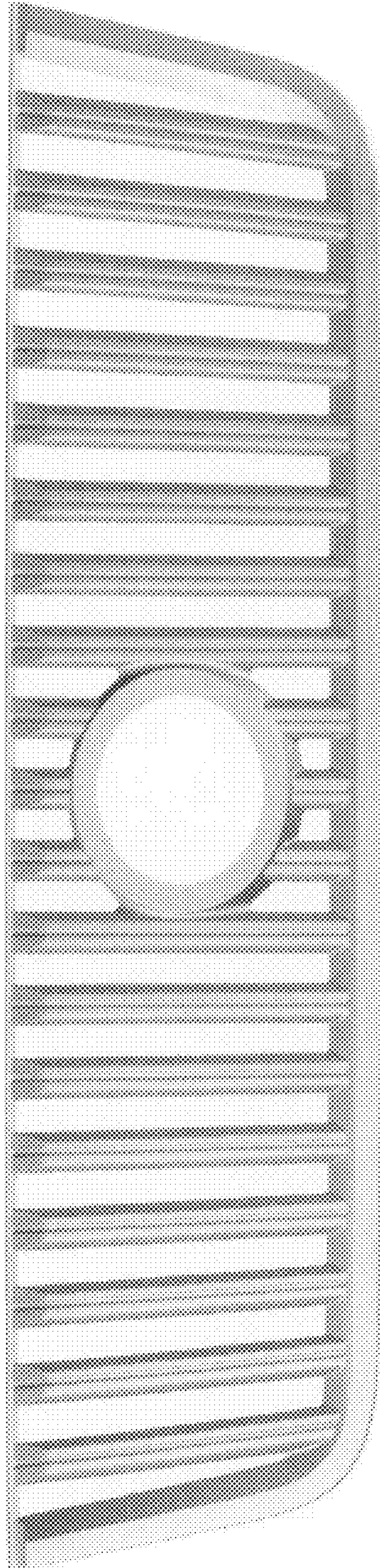


Figure 1



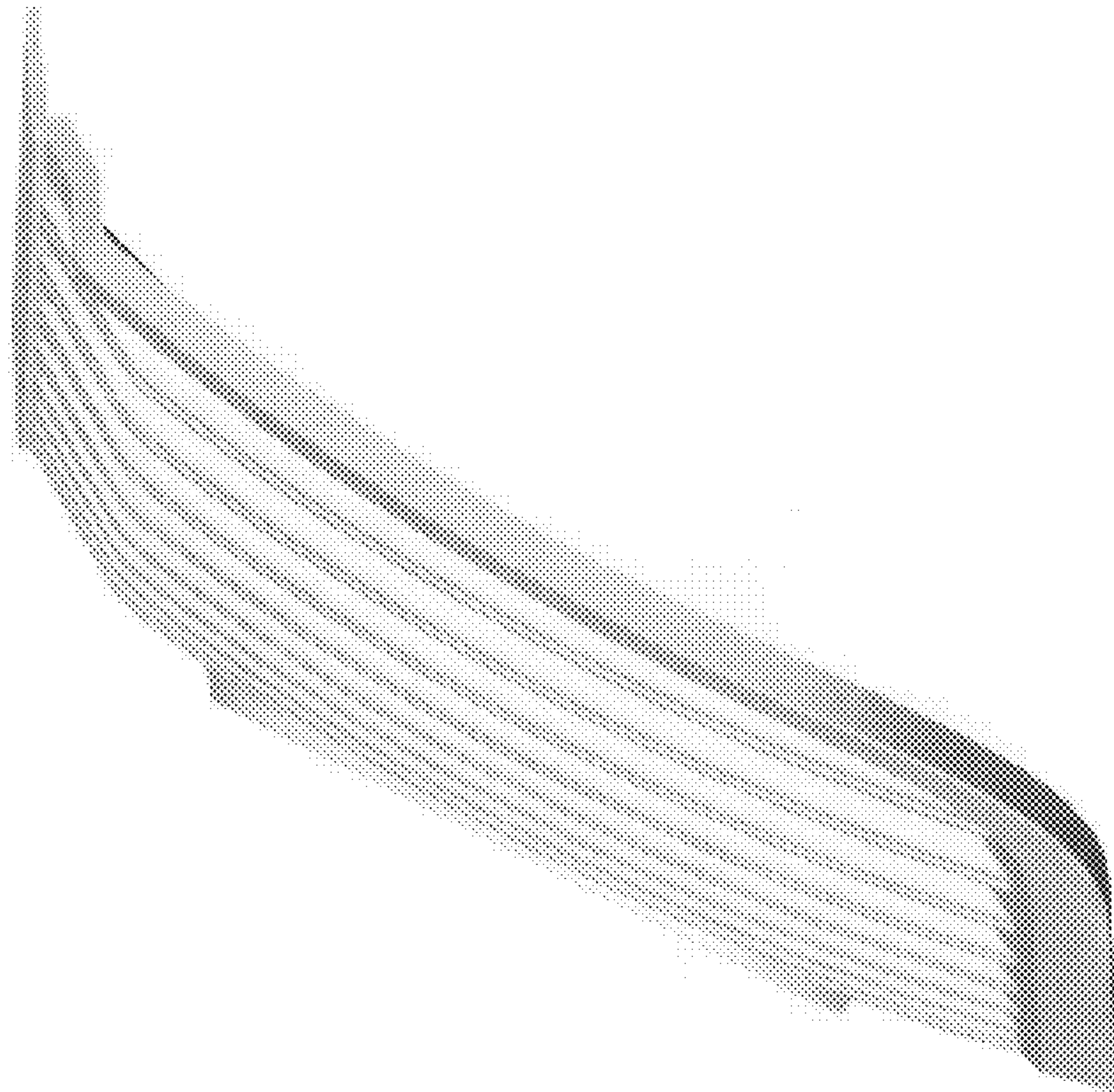


Figure 3

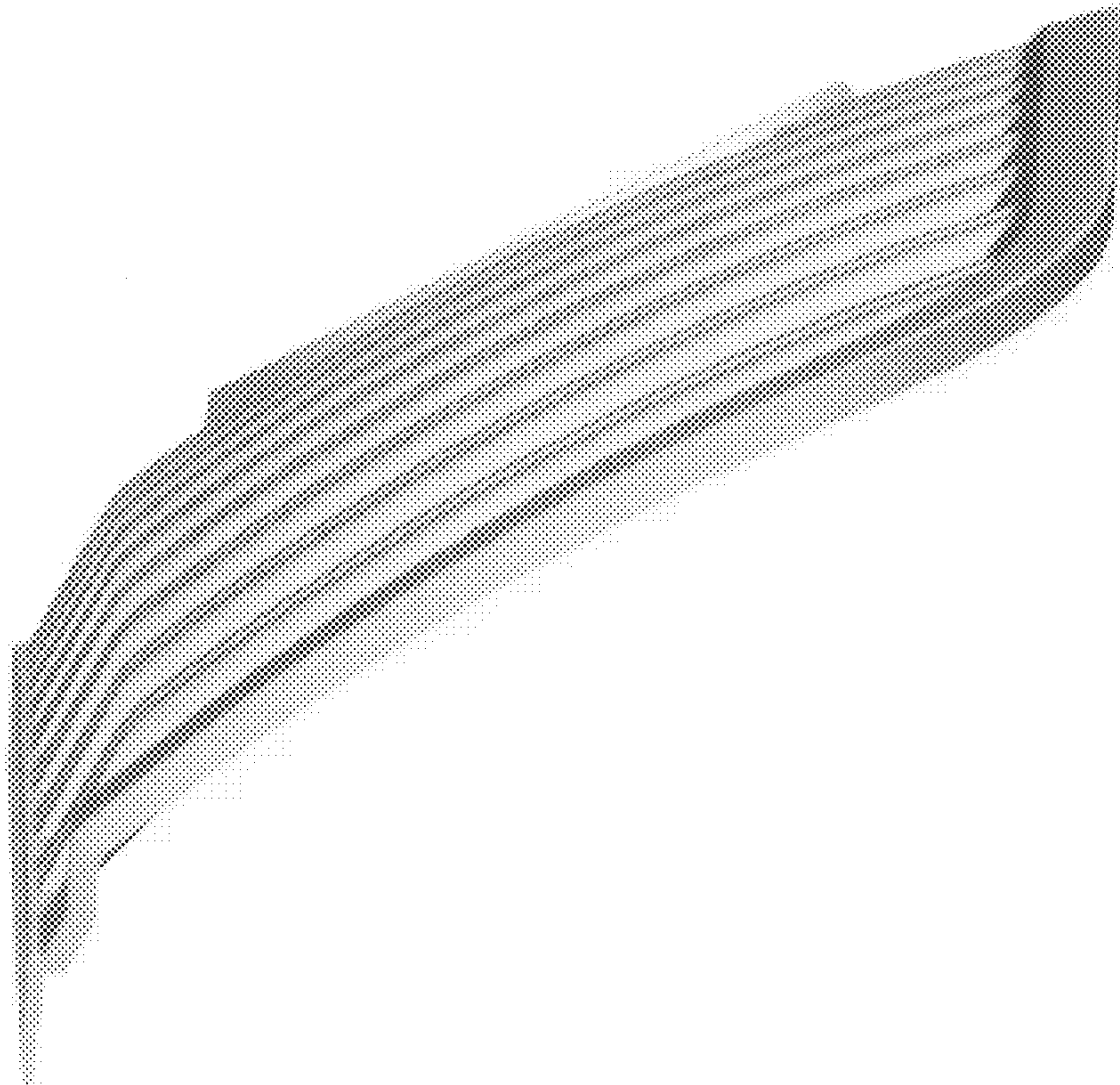


Figure 2



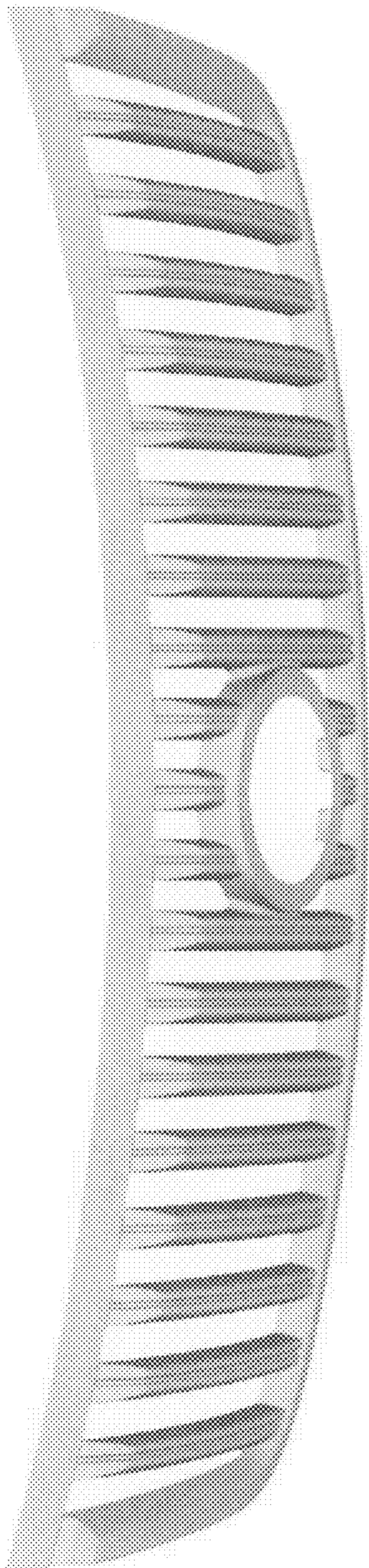


Figure 4

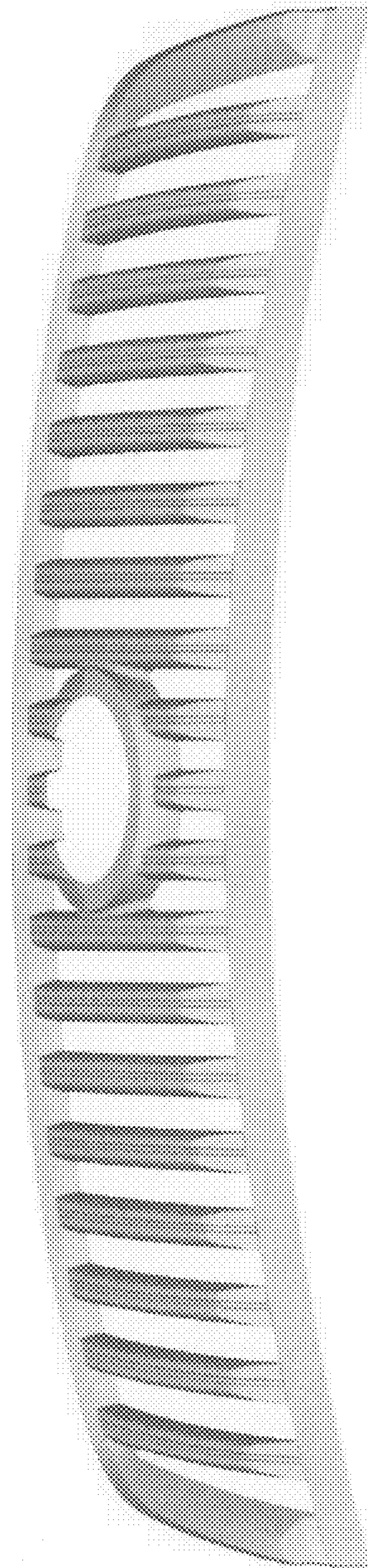


Figure 5



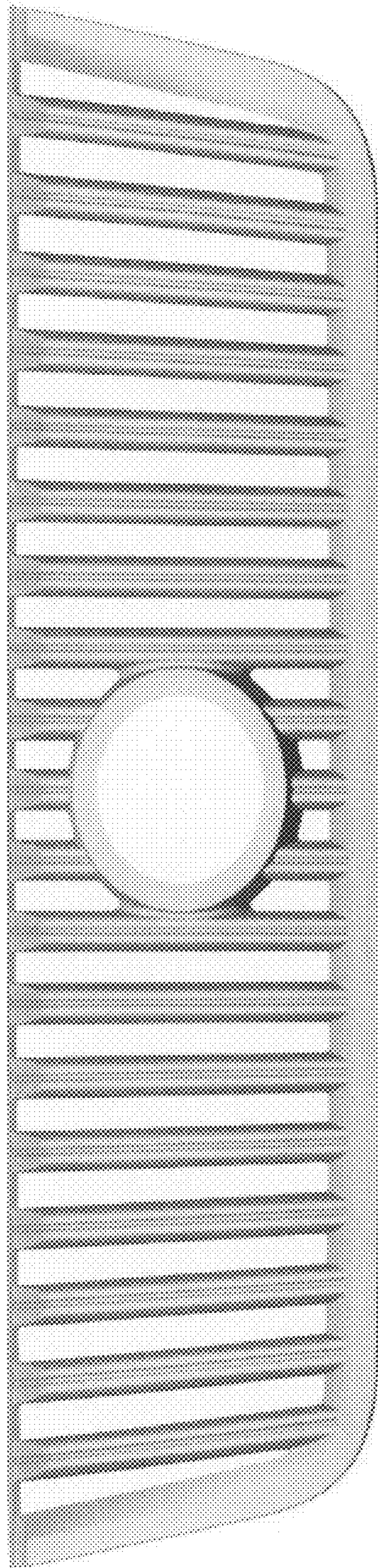


Figure 6