



US00D558100S

(12) **United States Design Patent**  
**Dancy**

(10) **Patent No.:** **US D558,100 S**

(45) **Date of Patent:** **\*\* Dec. 25, 2007**

(54) **ADD-ON TOTE FOR A WALKER**

D411,654 S 6/1999 Olkey et al.

(76) Inventor: **Rhonda M. Dancy**, 1212 Antioch Rd.,  
Coldwater, MS (US) 38618

\* cited by examiner

*Primary Examiner*—Ian Simmons

*Assistant Examiner*—Charles D Hanson

(74) *Attorney, Agent, or Firm*—Donald R. Schoonover

(\*\*) Term: **14 Years**

(21) Appl. No.: **29/241,197**

(57) **CLAIM**

(22) Filed: **Oct. 26, 2005**

I claim the ornamental design for an add-on tote for a walker, as shown and described.

(51) **LOC (8) Cl.** ..... **12-12**

(52) **U.S. Cl.** ..... **D12/133**

(58) **Field of Classification Search** ..... D12/128-133;  
267/5; 135/65-67, 74, 912; 280/647-650,  
280/29, 200, 250.1, 259; 297/DIG. 4; 296/65.03,  
296/65.04; 224/409; D6/364  
See application file for complete search history.

**DESCRIPTION**

FIG. 1 is a perspective view of an add-on tote for a walker showing my new design;

FIG. 2 is a top plan view thereof;

FIG. 3 is a bottom plan view thereof.

FIG. 4 is a front elevational view thereof;

FIG. 5 is a rear elevational view thereof; and

FIG. 6 is a right side elevational view thereof, the left side elevational view being a mirror image thereof; and,

FIG. 7 is a reduced perspective view showing the add-on tote for a walker in use; the broken lines depict environmental structure for illustrative purposes only and form no part of the claimed design.

The broken line showing in FIGS. 1, 4, 5, and 6 is included for the purpose of illustrating stitching on the claimed design.

(56) **References Cited**

U.S. PATENT DOCUMENTS

2,285,778	A	6/1942	Milward	
4,146,045	A	3/1979	Grant	
4,295,483	A	10/1981	Smith	
4,491,257	A	1/1985	Ingles	
D289,868	S *	5/1987	Dornan	D12/133
D298,307	S *	11/1988	Balter et al.	D12/133
4,974,620	A	12/1990	Quillan et al.	
4,974,760	A *	12/1990	Miller	224/407
D323,933	S *	2/1992	Johnston	D12/416
D353,123	S	12/1994	Korona	

**1 Claim, 2 Drawing Sheets**

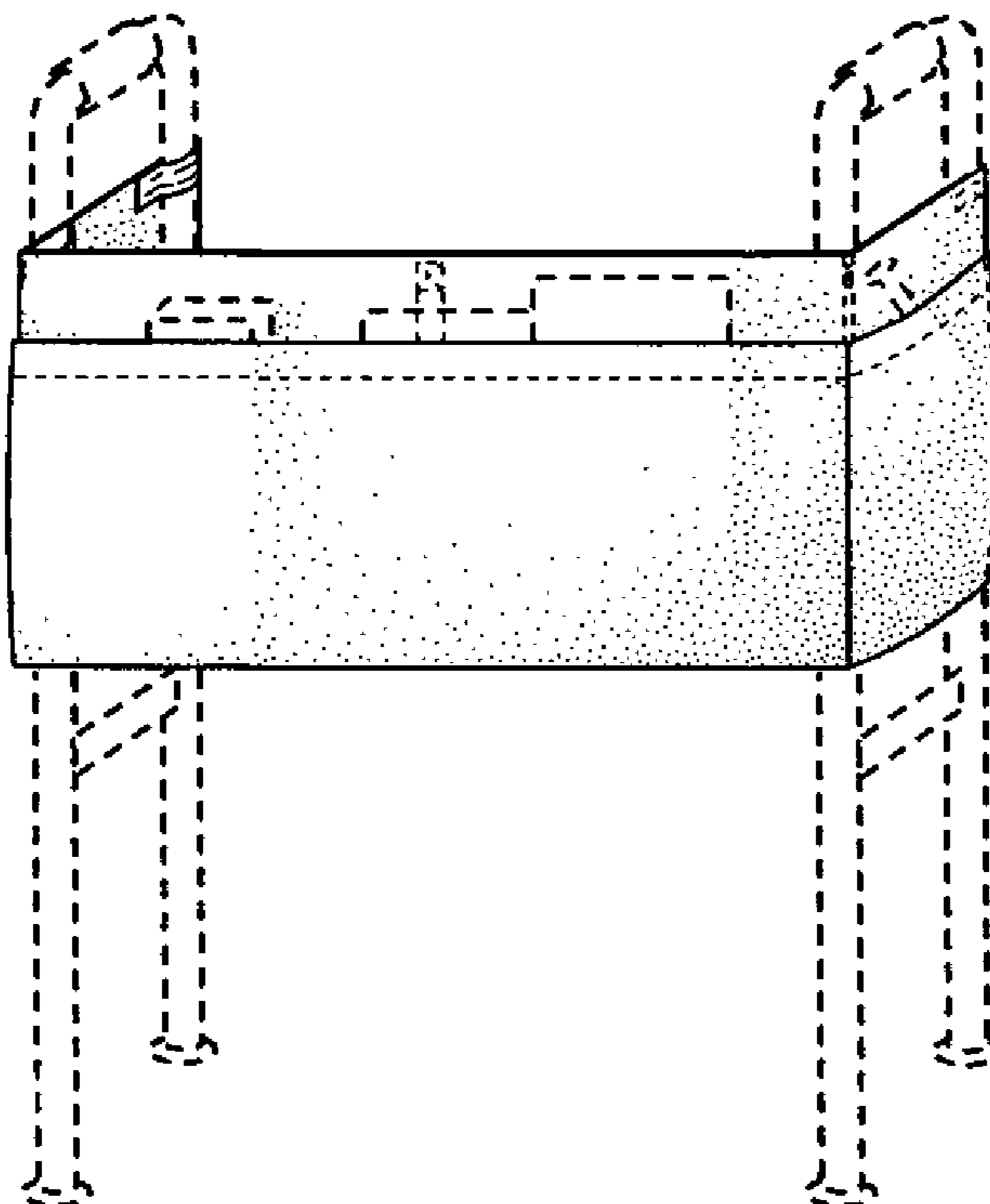


Fig. 1

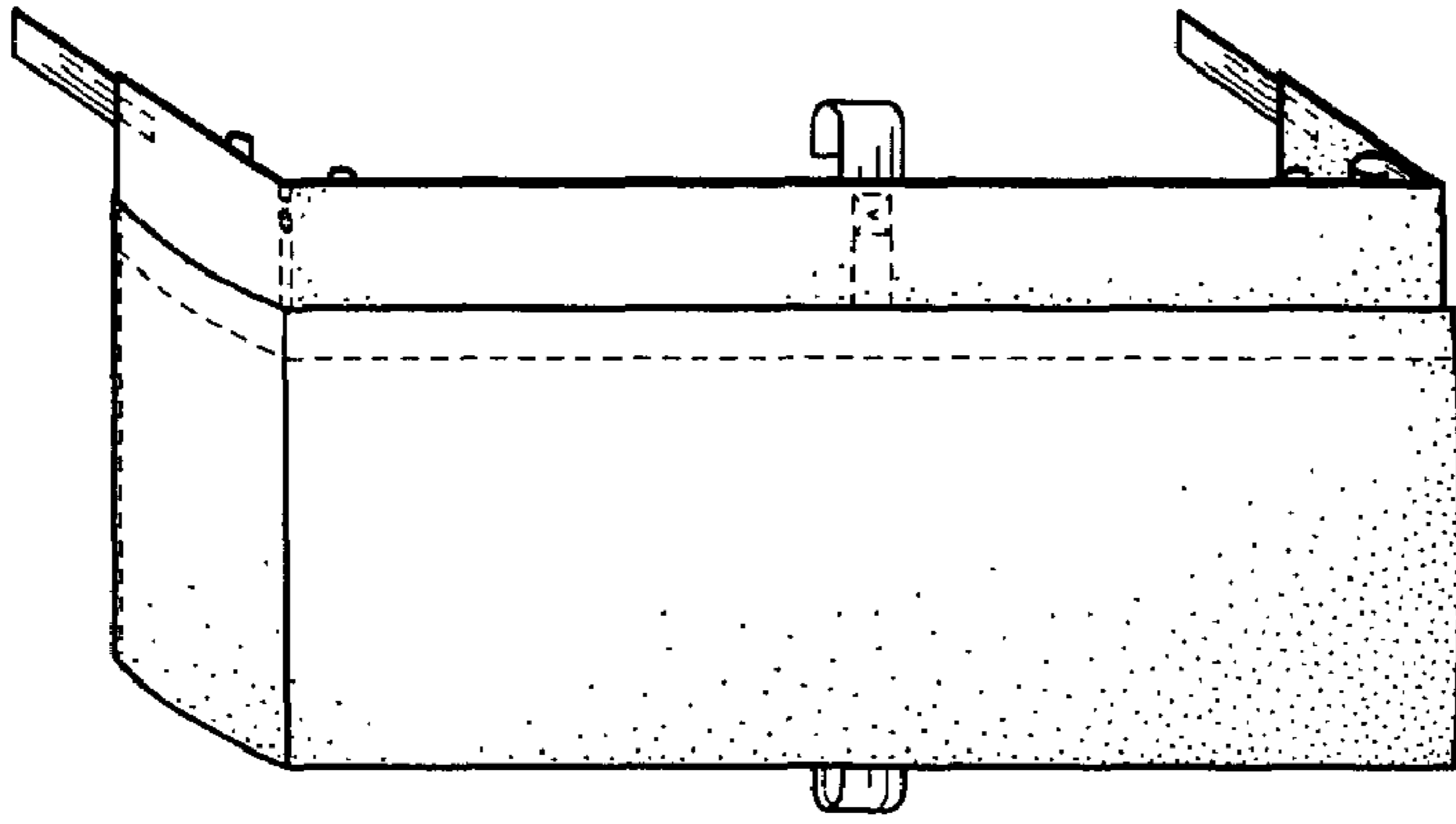


Fig. 2

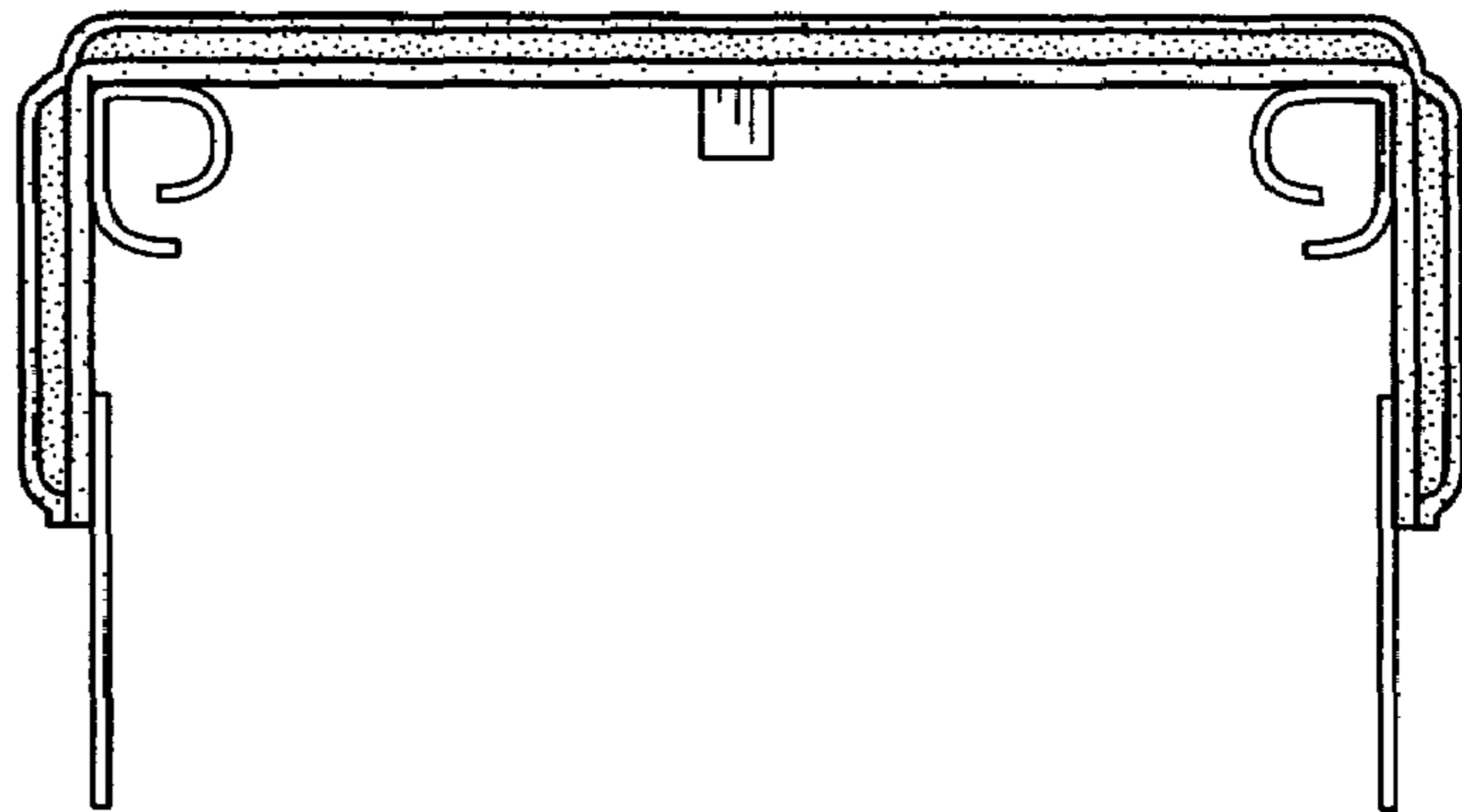


Fig. 3

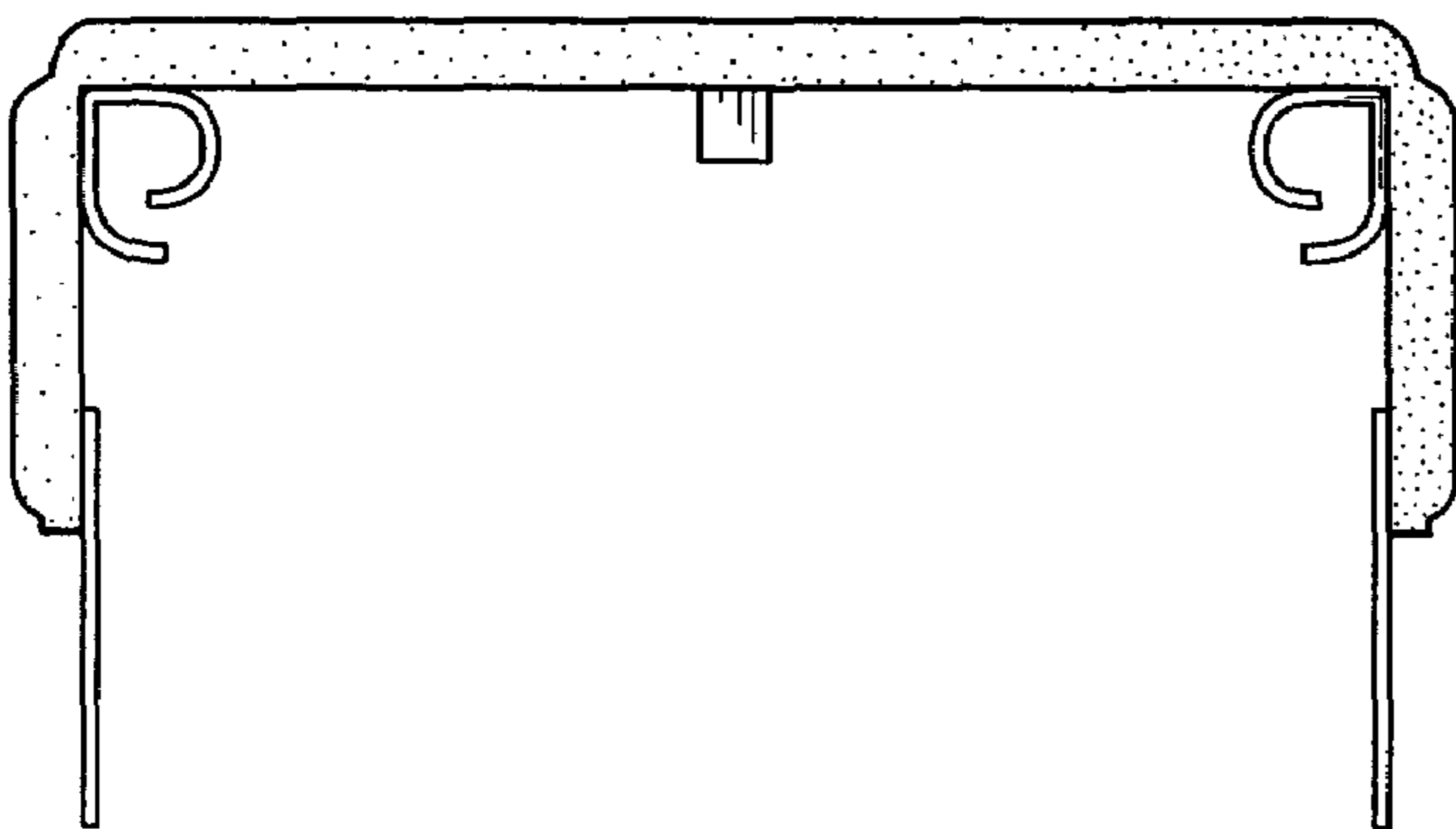


Fig. 4

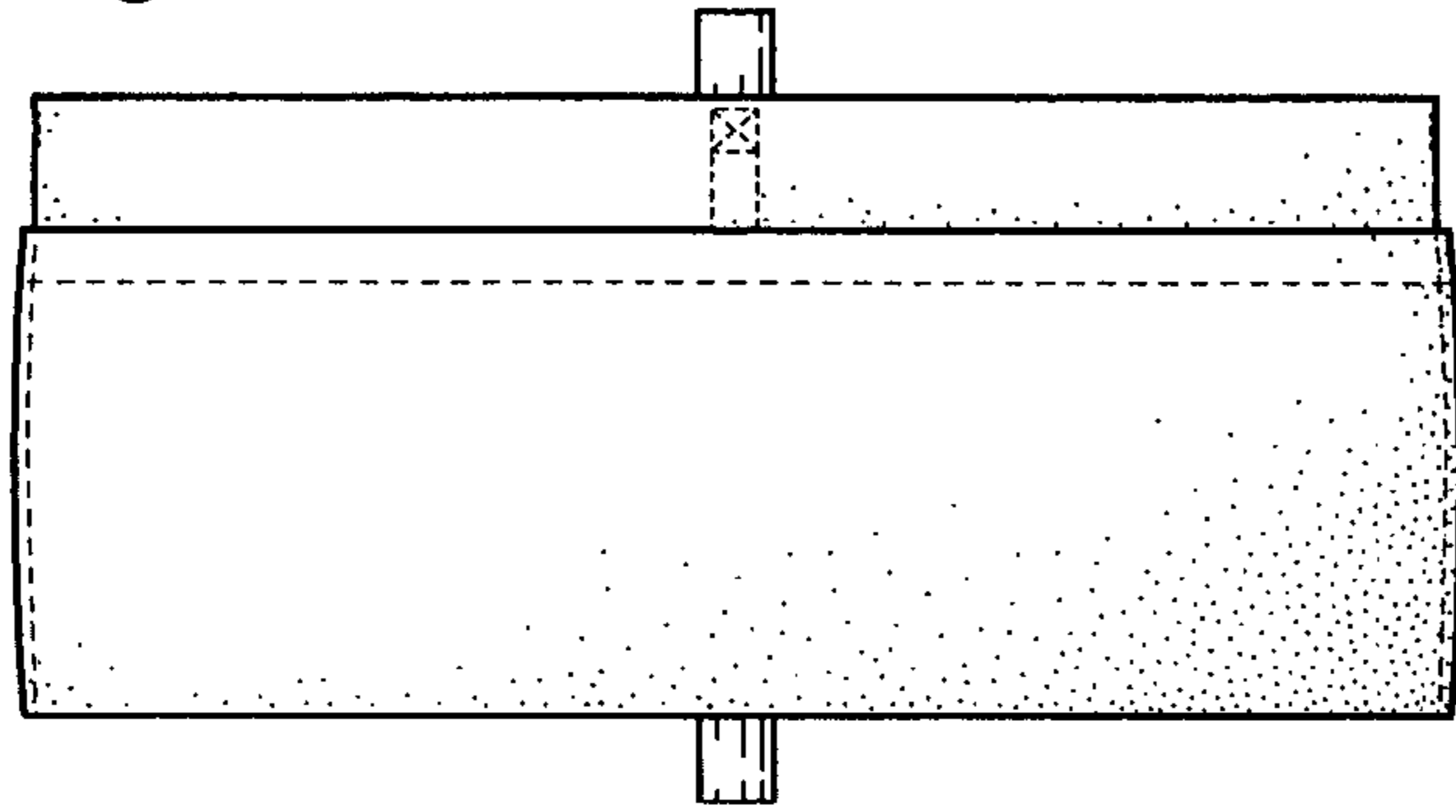


Fig. 5

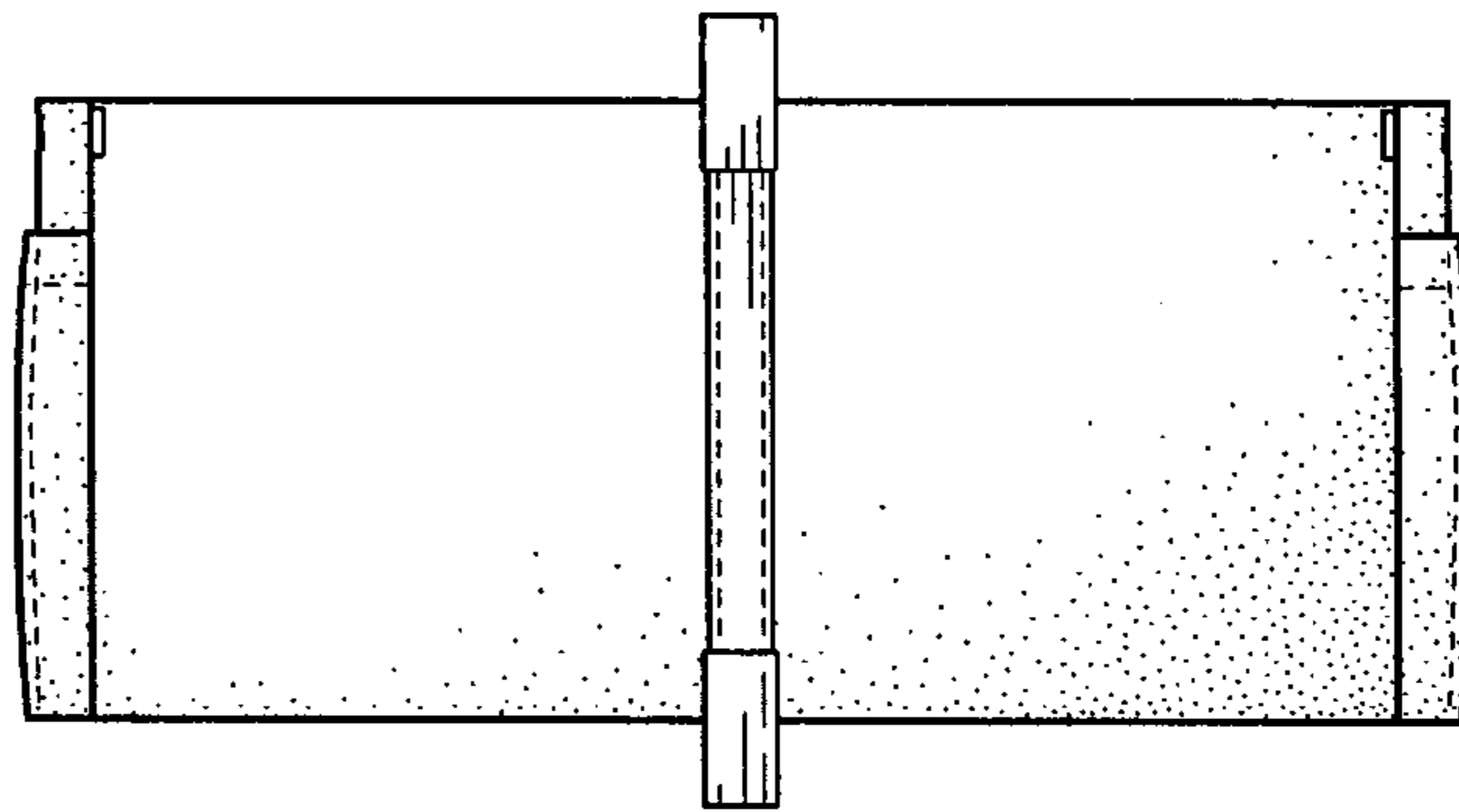


Fig. 6

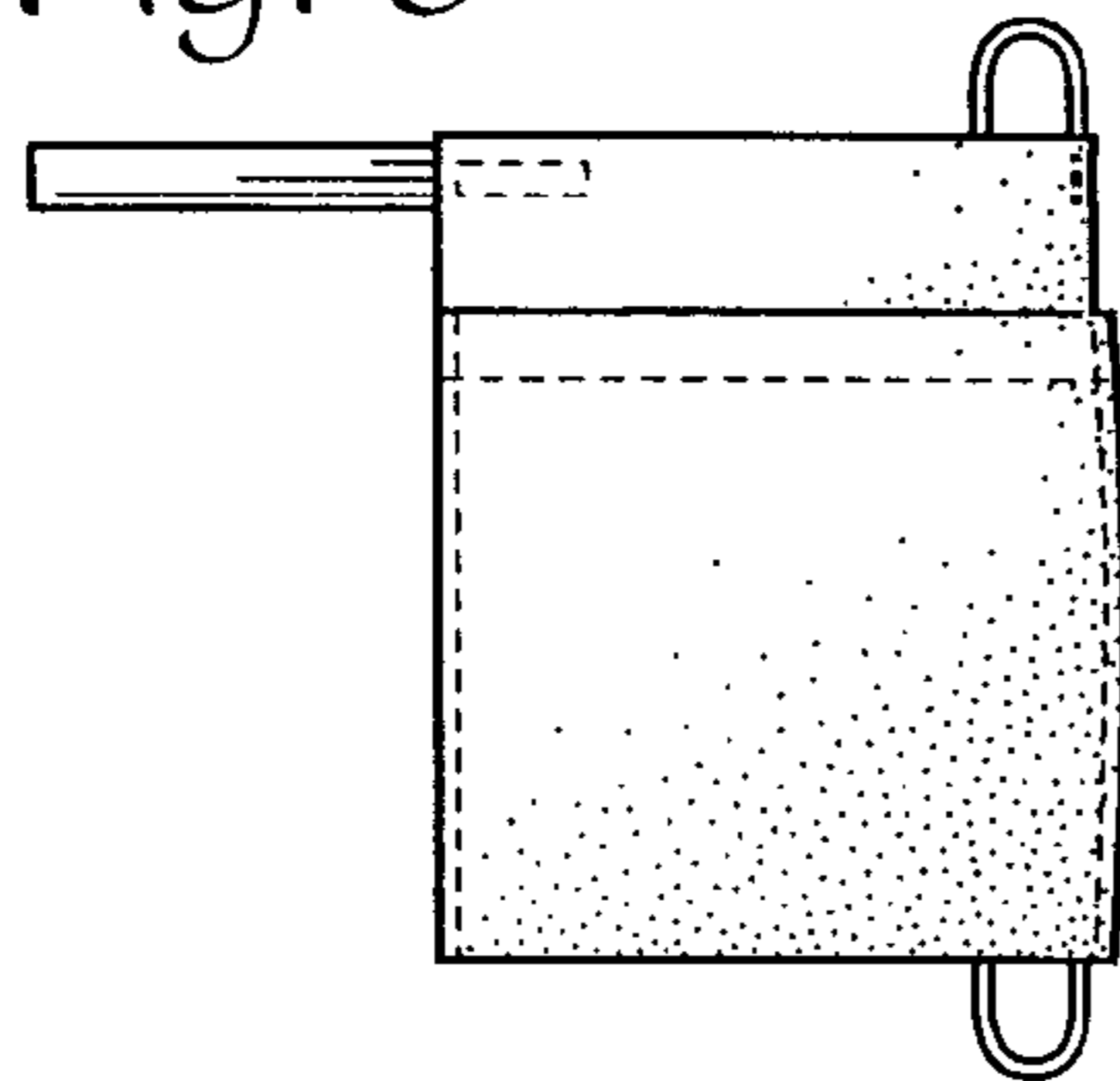


Fig. 7

