



US00D558099S

(12) **United States Design Patent**
Yang

(10) **Patent No.:** **US D558,099 S**

(45) **Date of Patent:** **** Dec. 25, 2007**

(54) **JOGGING STROLLER FRAME**
(75) Inventor: **Cheng-Fan Yang**, Tainan County (TW)
(73) Assignee: **Link Treasure Limited**, Tortola (VG)
(**) Term: **14 Years**

6,739,616 B2 * 5/2004 Lin 280/642
D498,714 S * 11/2004 Chou D12/129
D506,417 S * 6/2005 Liao D12/129
7,021,651 B2 * 4/2006 Lan 280/642
D528,048 S * 9/2006 Lin et al. D12/129

(21) Appl. No.: **29/251,286**
(22) Filed: **Jan. 6, 2006**

* cited by examiner

Primary Examiner—Ian Simmons
Assistant Examiner—Charles D Hanson
(74) *Attorney, Agent, or Firm*—Birch, Stewart, Kolasch & Birch, LLP

(30) **Foreign Application Priority Data**
Jul. 21, 2005 (TW) 94304394

(57) **CLAIM**

(51) **LOC (8) Cl.** **12-12**
(52) **U.S. Cl.** **D12/129**
(58) **Field of Classification Search** D12/128–133,
D12/85; 267/5; 135/65–67, 74, 912; 280/62,
280/647–650, 29, 200, 47.38, 250.1, 259,
280/642, 658; 297/DIG. 4; 296/65.03, 65.04;
224/409; D6/364
See application file for complete search history.

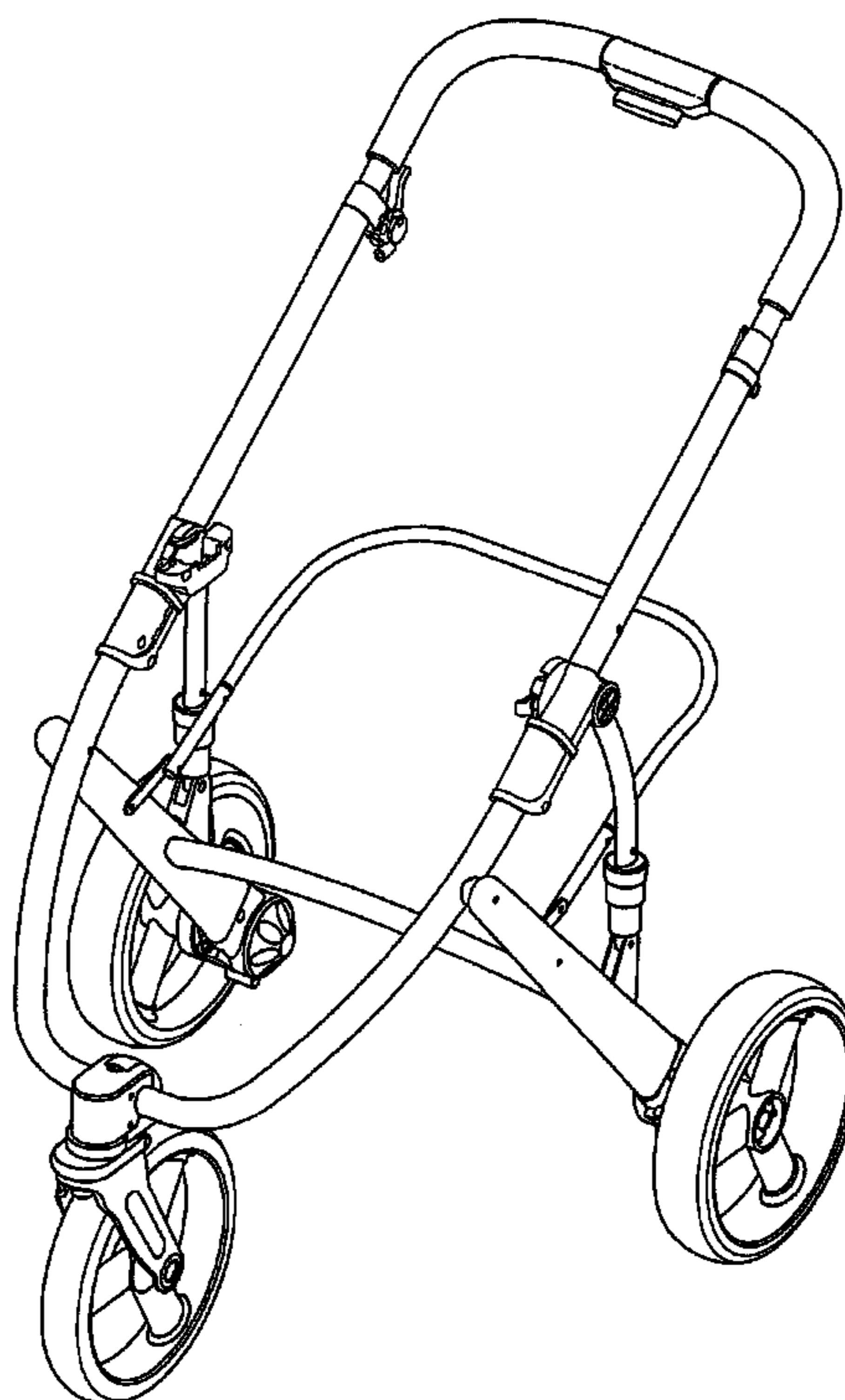
The ornamental design for a jogging stroller frame, as shown and described.

DESCRIPTION

(56) **References Cited**
U.S. PATENT DOCUMENTS
6,318,750 B1 * 11/2001 Lan 280/642
D456,319 S * 4/2002 Yeh D12/129
D463,762 S * 10/2002 Everett D12/129
6,561,537 B1 * 5/2003 Chen 280/648

FIG. 1 is a front, right perspective view of a jogging stroller frame showing my new design;
FIG. 2 is a right elevational view thereof;
FIG. 3 is a left elevational view thereof;
FIG. 4 is a rear side view thereof;
FIG. 5 is a bottom side view thereof;
FIG. 6 is a top plan view thereof; and,
FIG. 7 is a right plan view thereof.

1 Claim, 7 Drawing Sheets



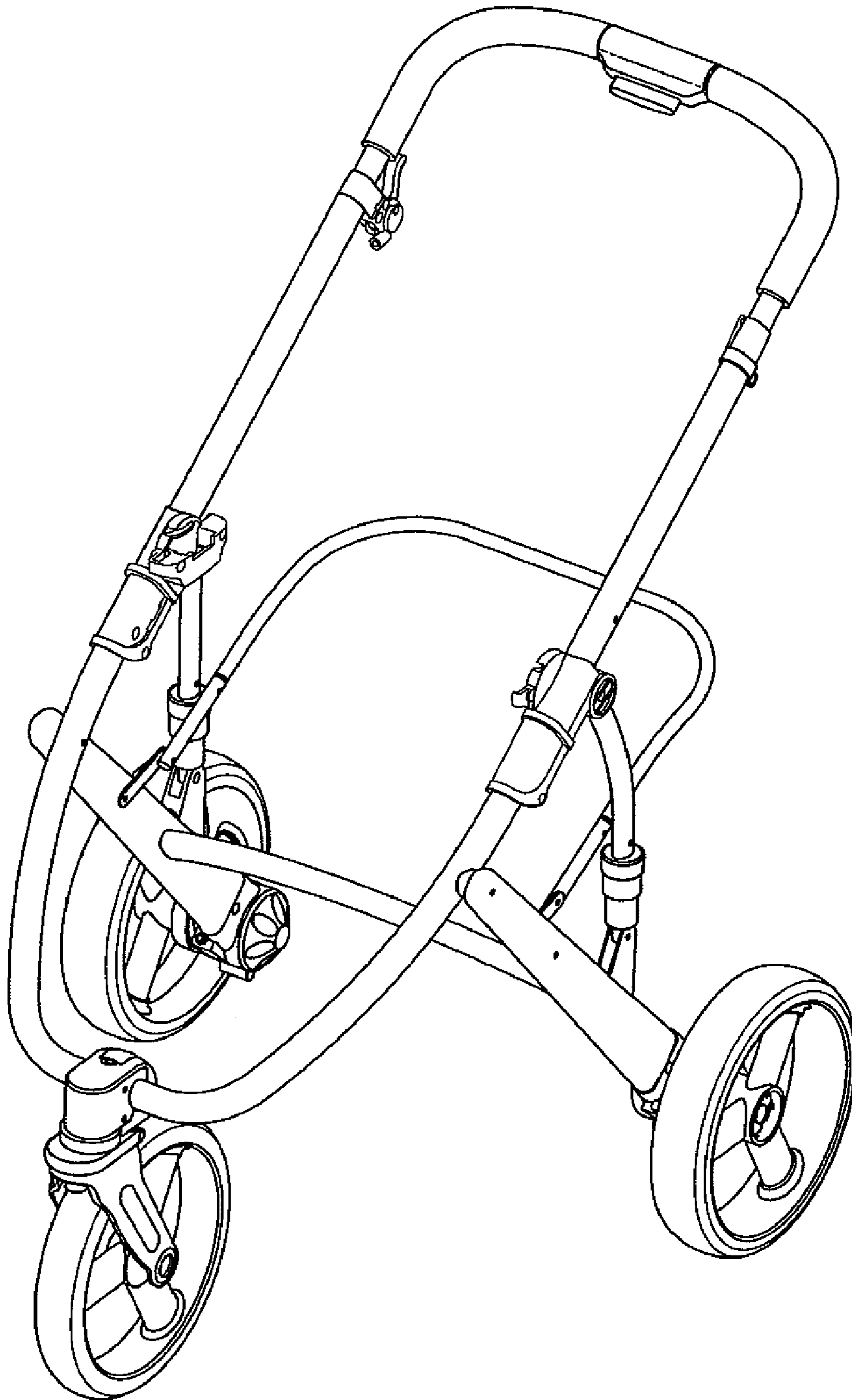


FIG. 1

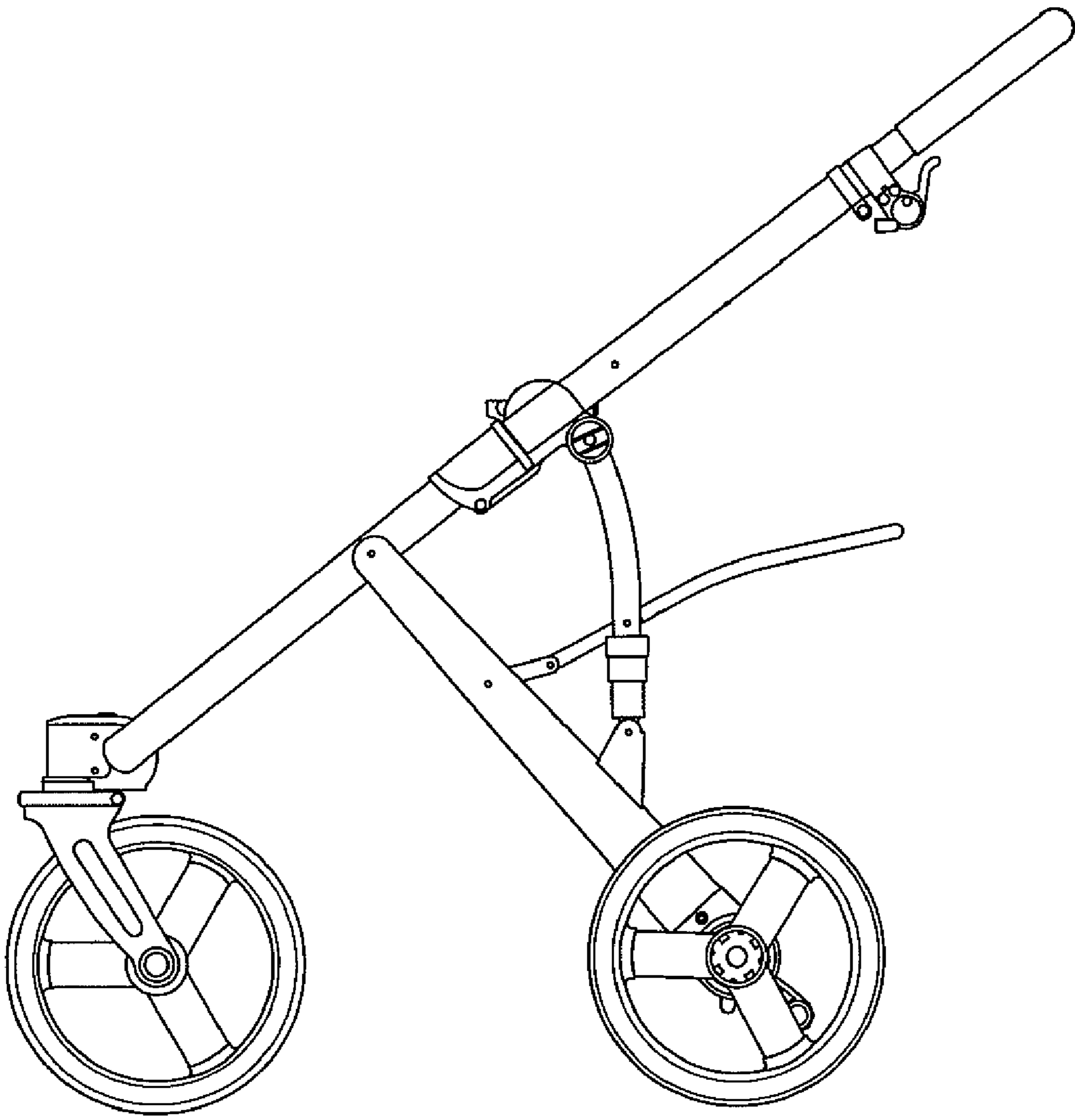


FIG. 2

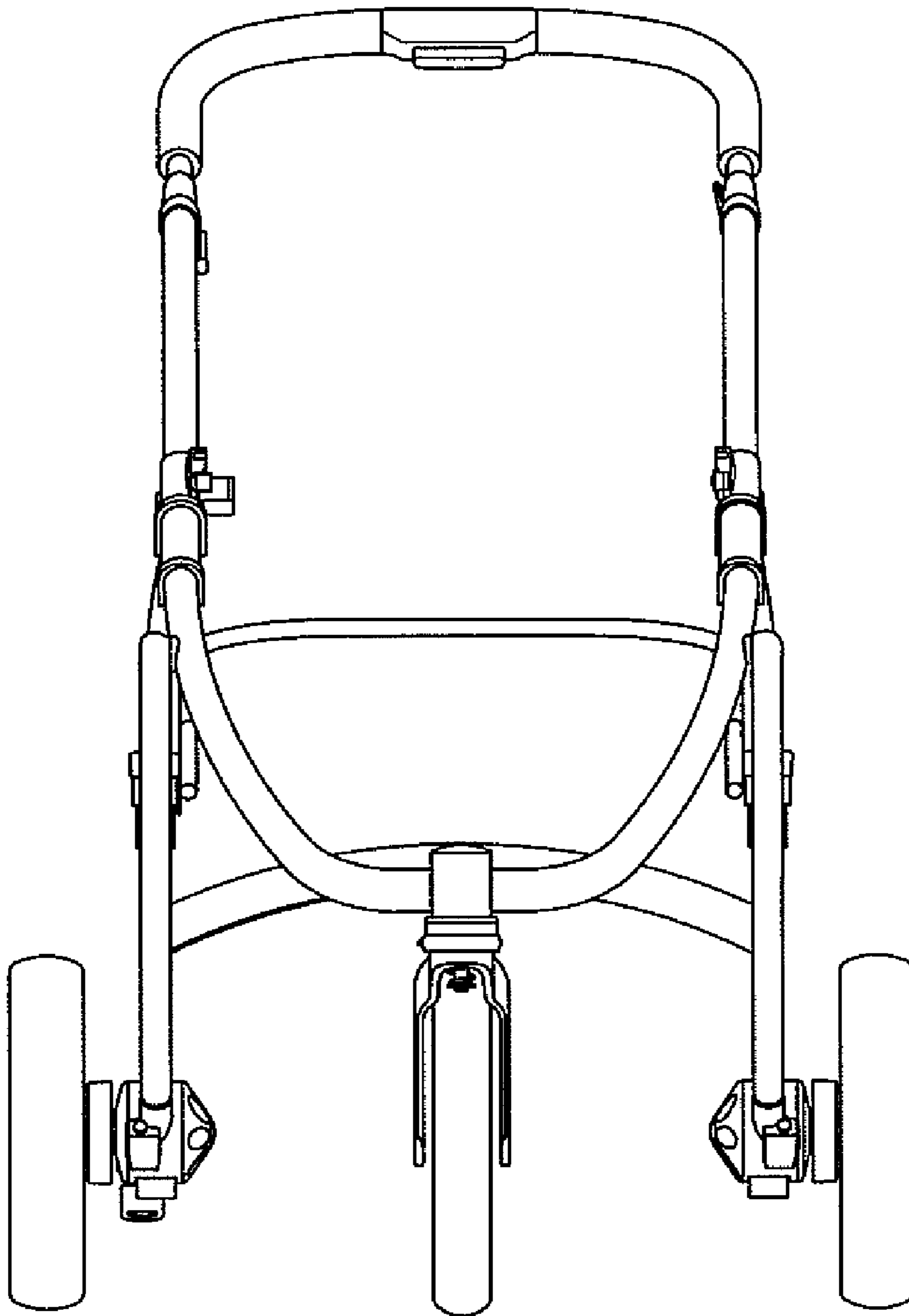


FIG. 3

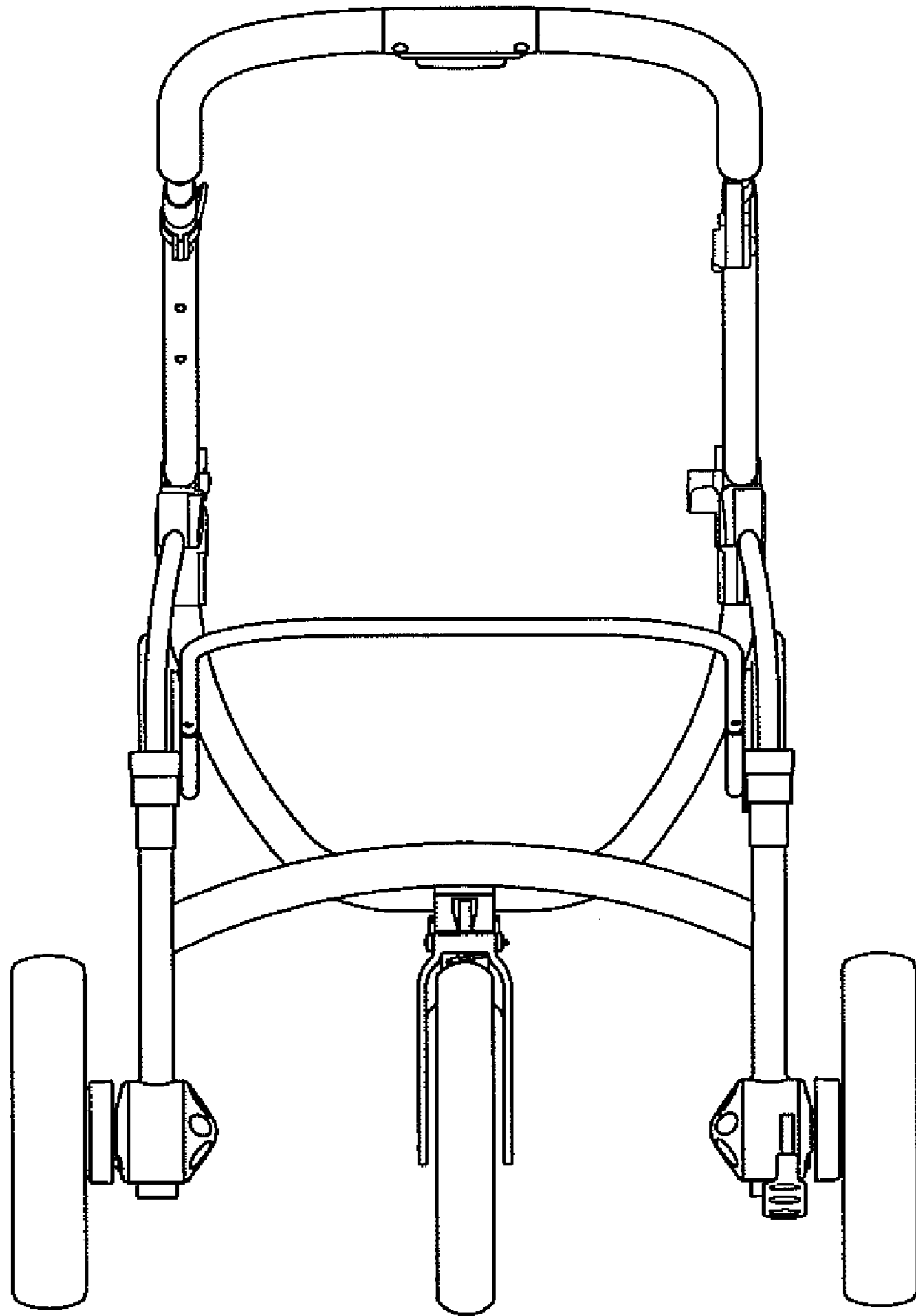


FIG. 4

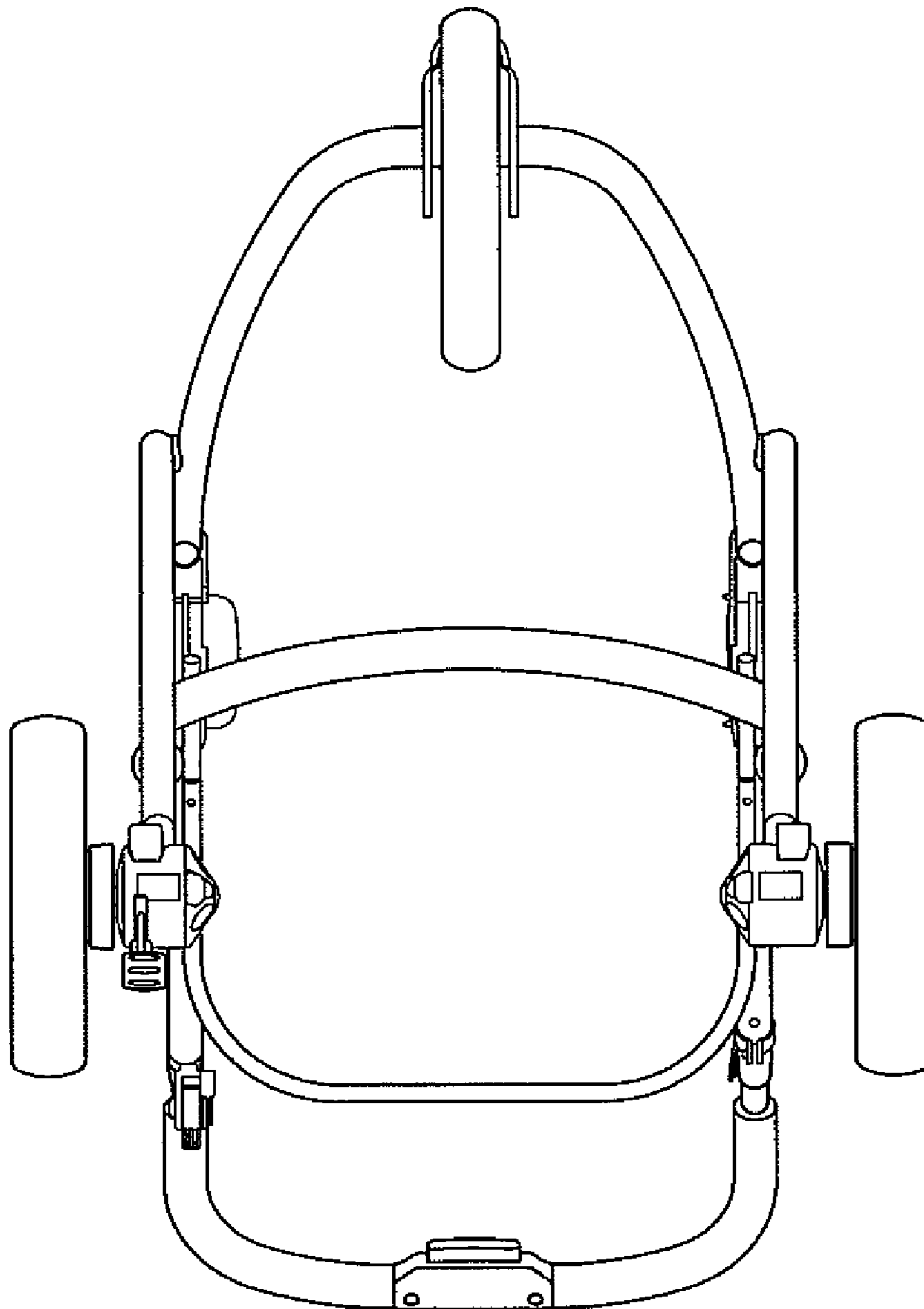


FIG. 5

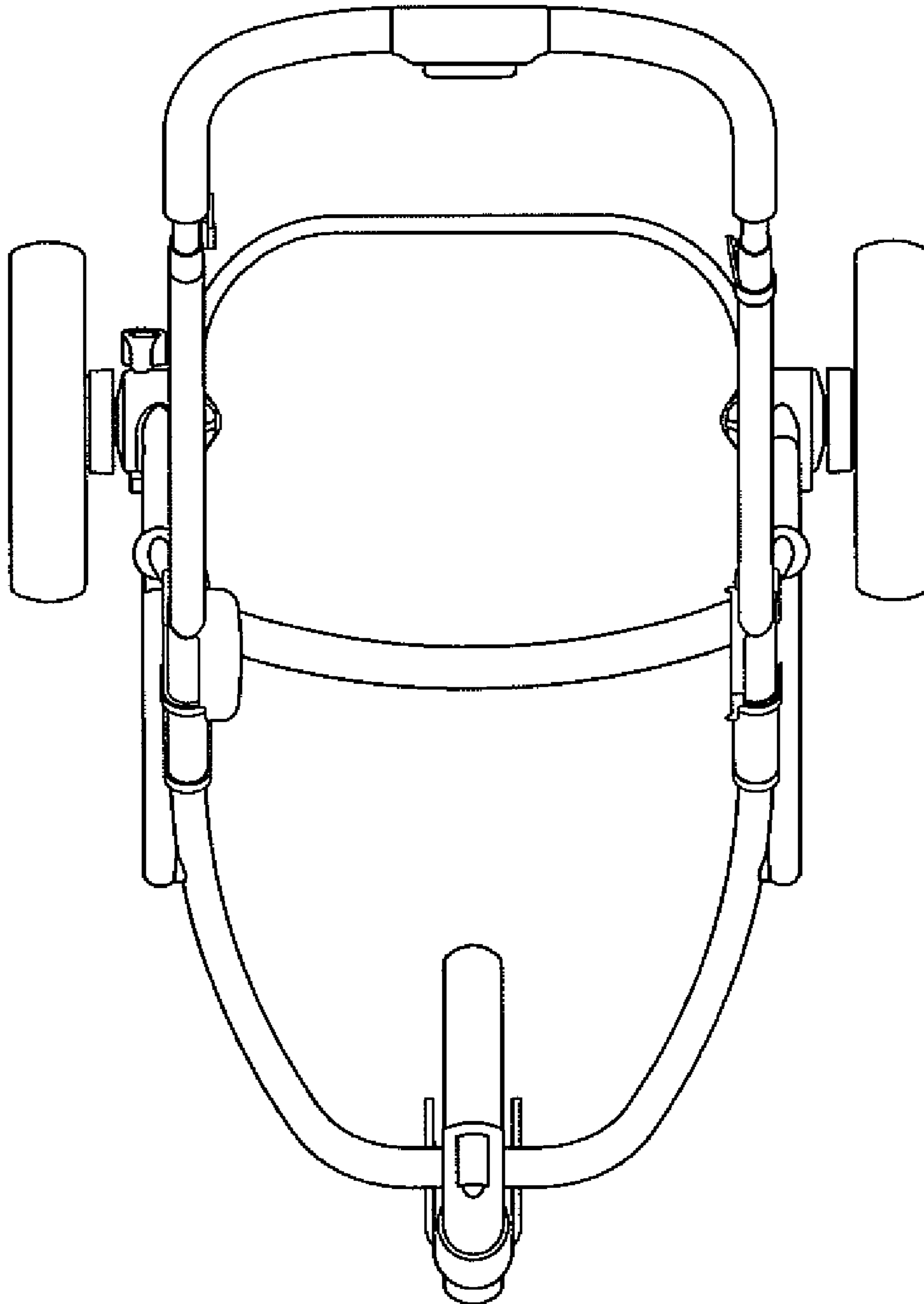


FIG. 6

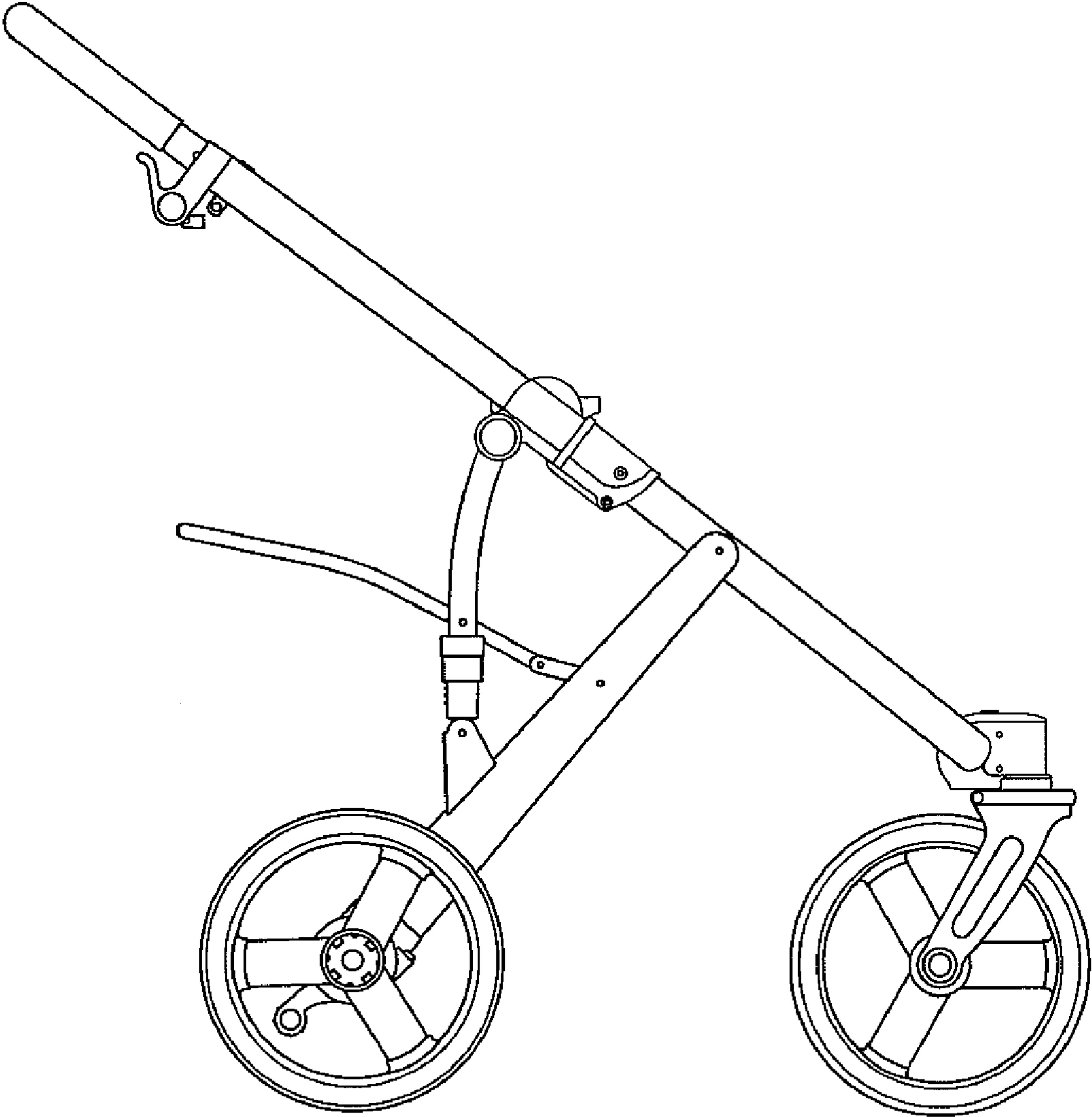


FIG. 7