



US00D558096S

(12) **United States Design Patent**  
**Nicholas et al.**

(10) **Patent No.:** **US D558,096 S**

(45) **Date of Patent:** **\*\* Dec. 25, 2007**

(54) **AUTOMOBILE BODY**

D490,024 S \* 5/2004 Zavatski et al. .... D12/92  
D494,101 S \* 8/2004 Zavatski et al. .... D12/92  
D543,899 S \* 6/2007 Nicholas et al. .... D12/92

(75) Inventors: **Michael H Nicholas**, Troy, MI (US);  
**Thomas G Tremont**, Birmingham, MI  
(US); **Trevor M Creed**, West  
Bloomfield, MI (US); **Brandon L**  
**Faurote**, Rochester, MI (US)

\* cited by examiner

*Primary Examiner*—Melody N. Brown

(74) *Attorney, Agent, or Firm*—Ralph E. Smith

(73) Assignee: **Chrysler LLC**, Auburn Hills, MI (US)

(57) **CLAIM**

(\*\*) Term: **14 Years**

The ornamental design for an automobile body, as shown  
and described.

(21) Appl. No.: **29/280,043**

(22) Filed: **May 15, 2007**

**DESCRIPTION**

**Related U.S. Application Data**

(63) Continuation of application No. 29/244,866, filed on  
Dec. 15, 2005, now Pat. No. Des. 543,899.

FIG. 1 is a front perspective view of an automobile body  
showing our new design;

FIG. 2 is a side view thereof;

(51) **LOC (8) Cl.** ..... **12-08**

(52) **U.S. Cl.** ..... **D12/92**

(58) **Field of Classification Search** ..... D12/90–92,  
D12/86; 296/181.1, 181.5

FIG. 3 is a front view thereof;

FIG. 4 is a rear view thereof;

FIG. 5 is a rear perspective view thereof; and,

FIG. 6 is a top plan view thereof.

See application file for complete search history.

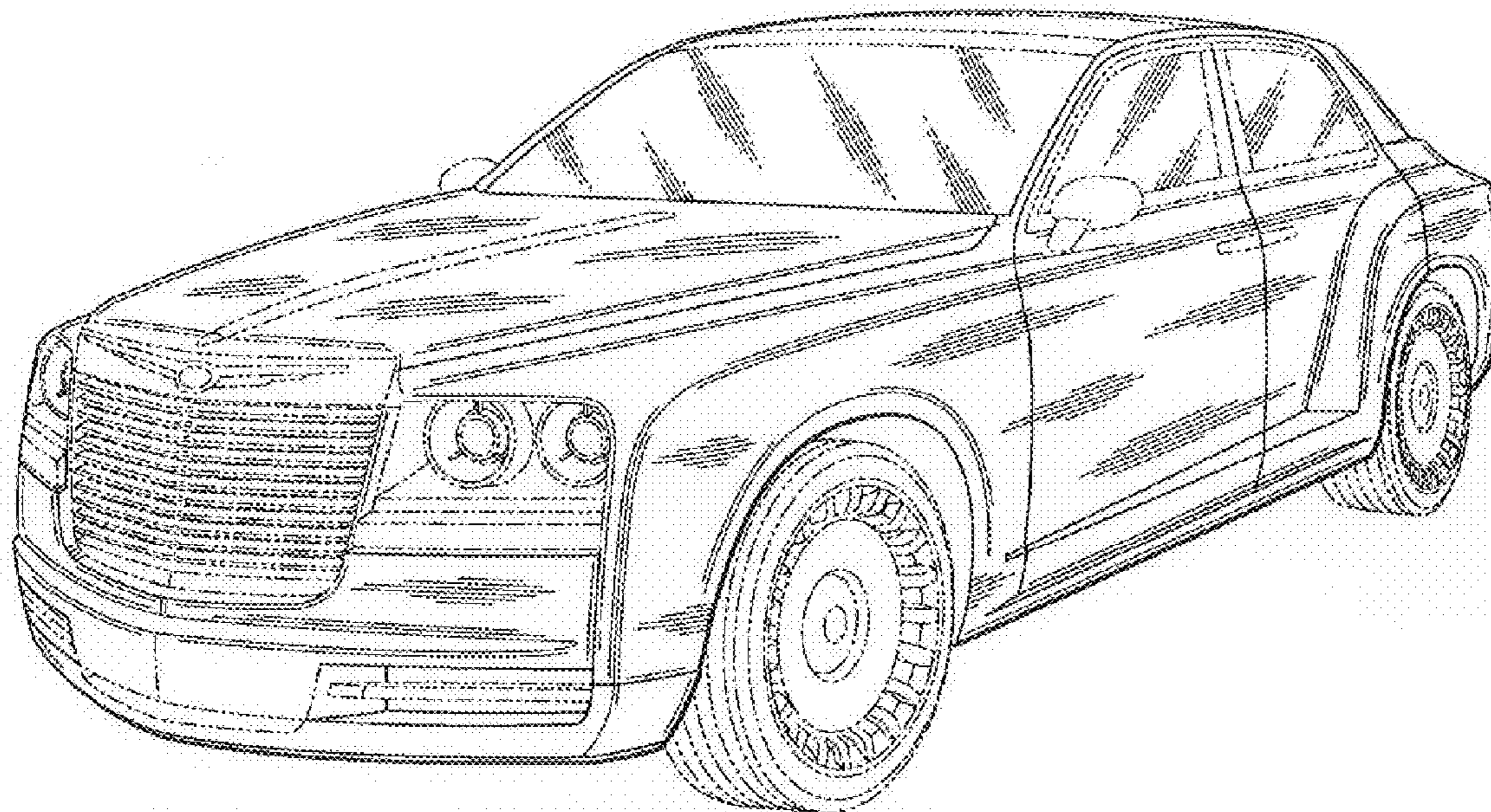
It will be understood that the broken lines presented in the  
drawings are for illustration only, and do not form a part of  
the claimed design.

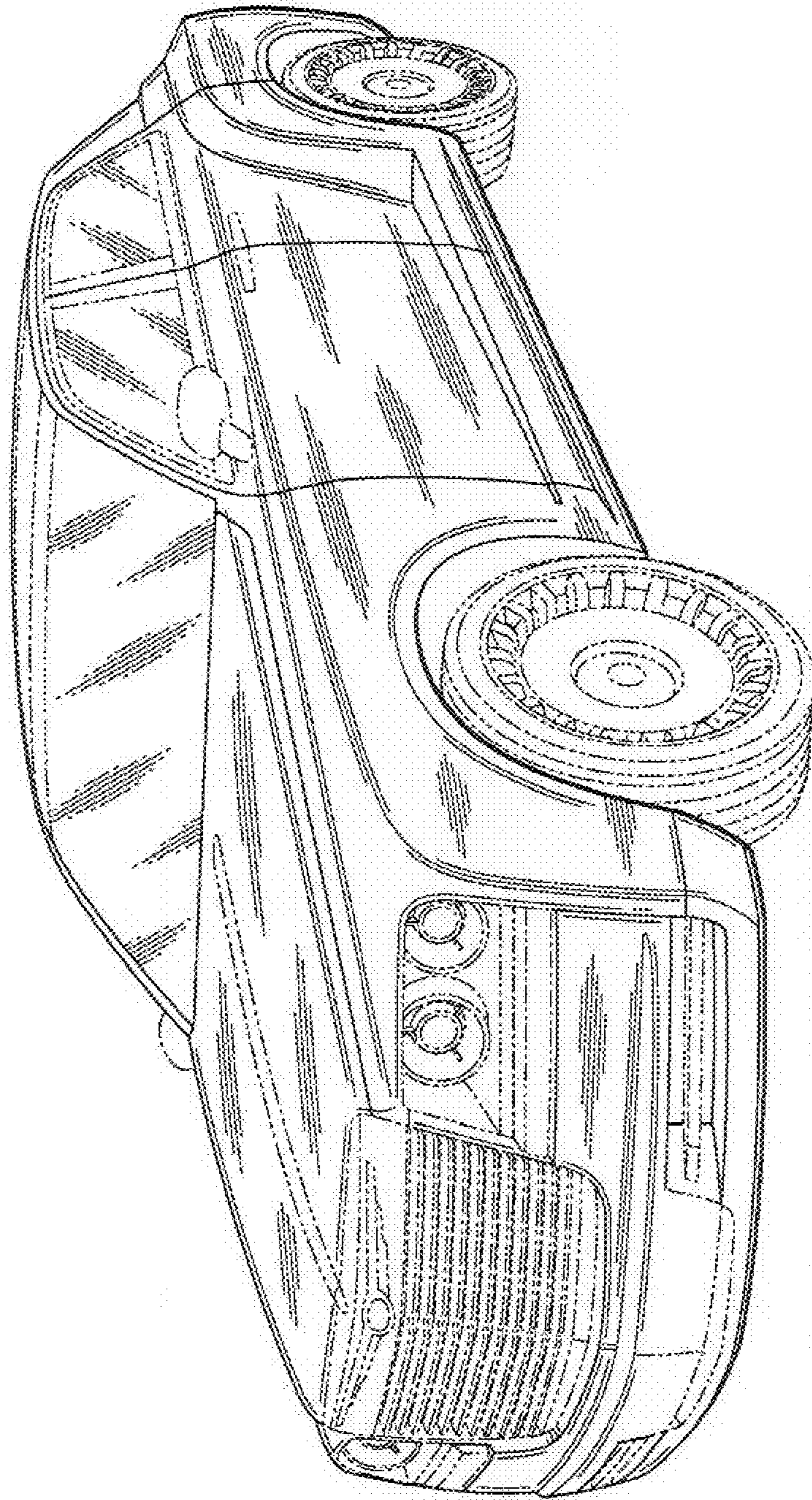
(56) **References Cited**

**U.S. PATENT DOCUMENTS**

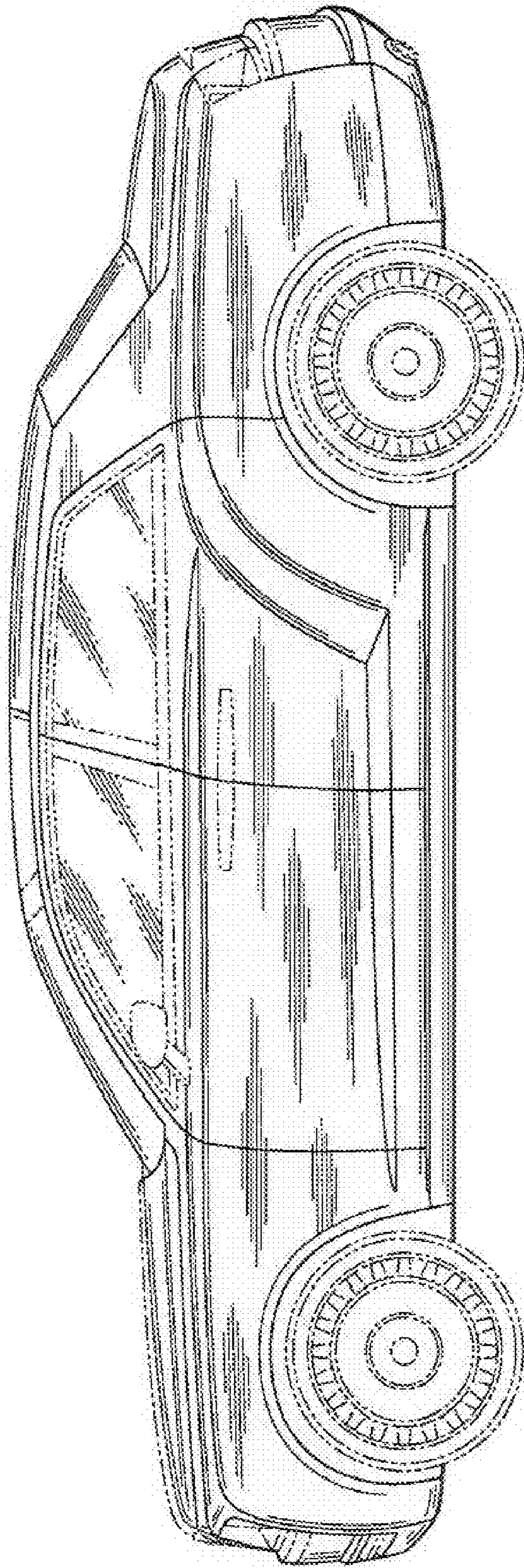
D490,023 S \* 5/2004 Howell et al. .... D12/92

**1 Claim, 5 Drawing Sheets**

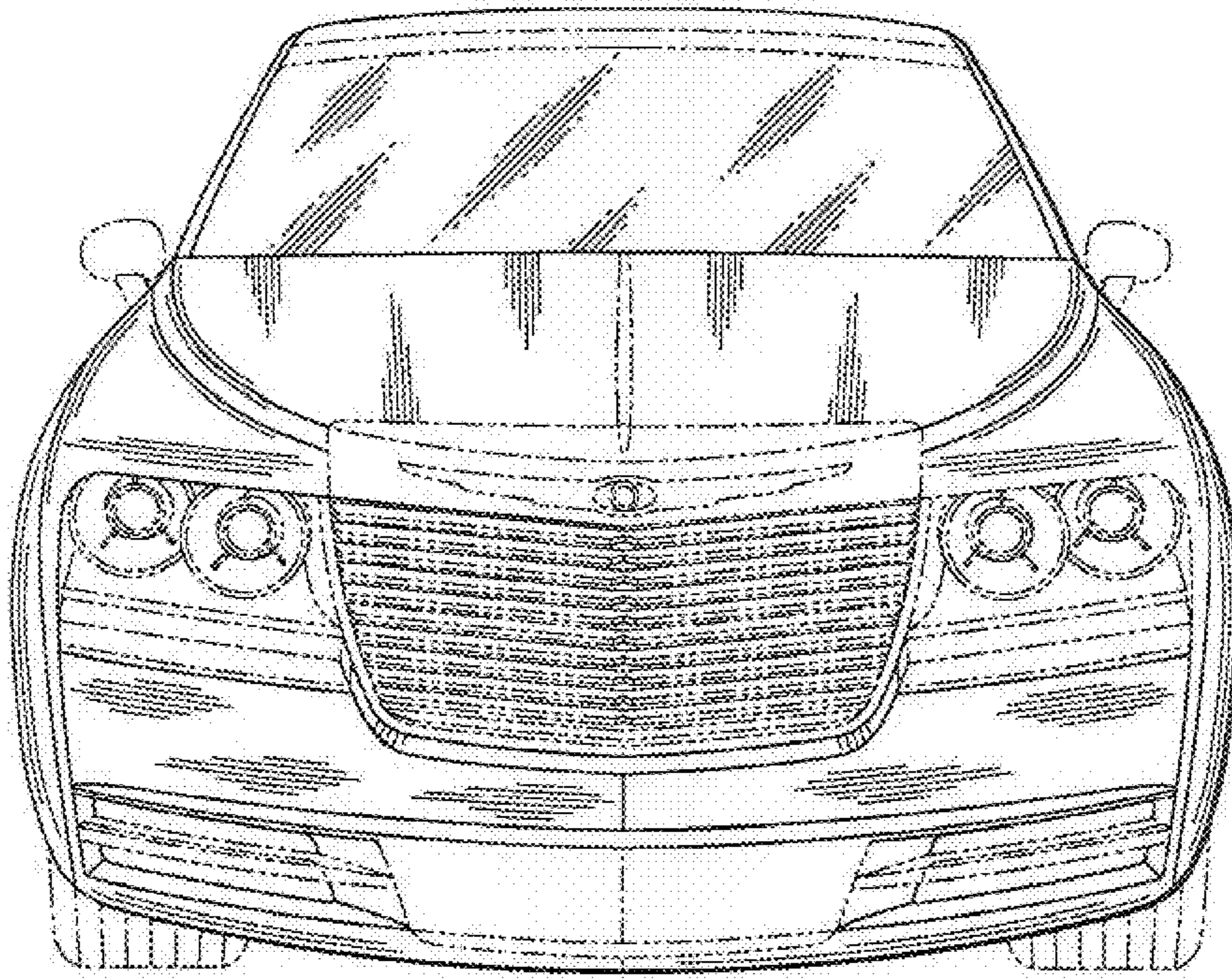




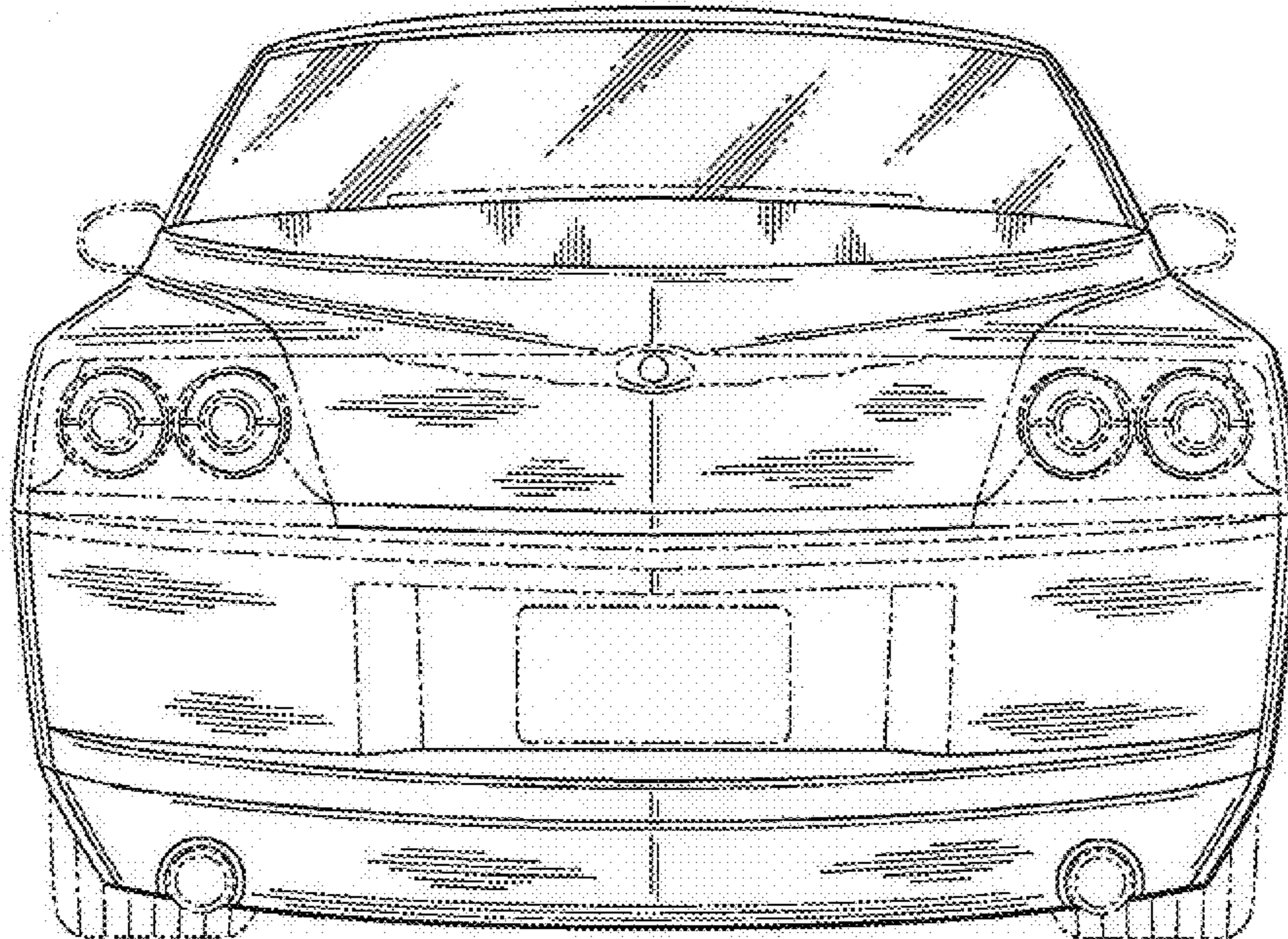
*Fig. 1*



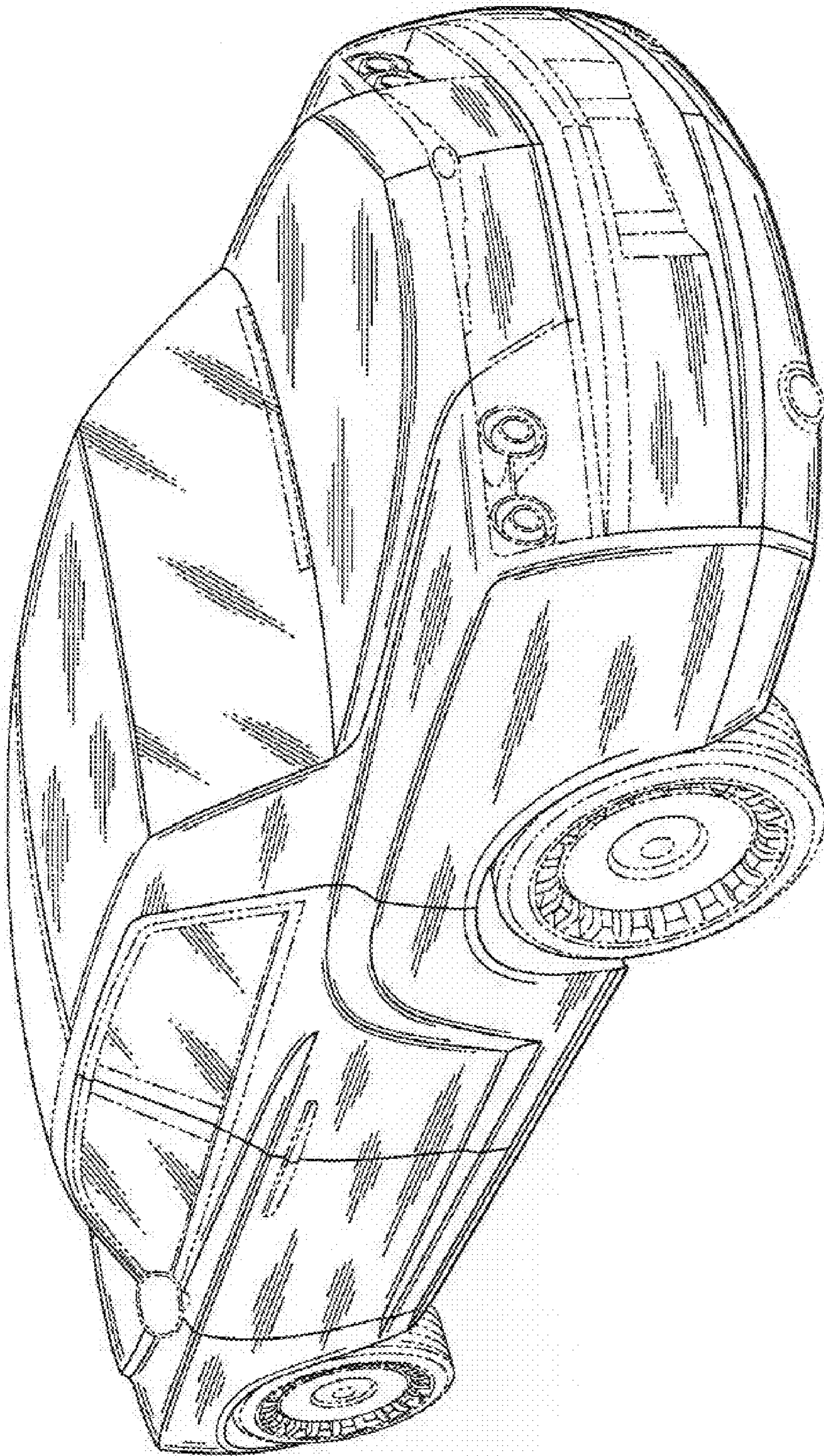
*Fig. 2*



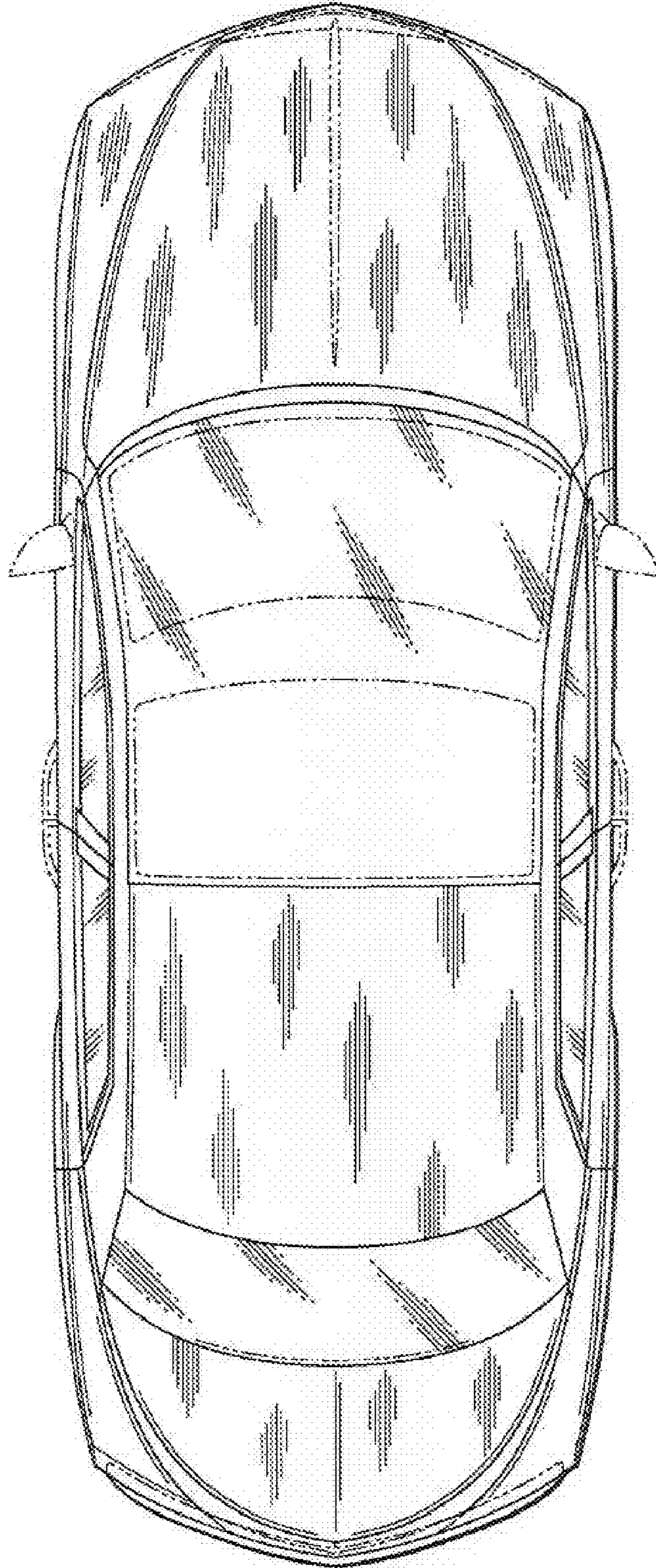
*Fig. 3*



*Fig. 4*



*Fig. 5*



*Fig. 6*