



US00D558091S

(12) **United States Design Patent**
Cossutti

(10) **Patent No.:** **US D558,091 S**

(45) **Date of Patent:** **** Dec. 25, 2007**

(54) **SLIDER FOR ZIPPER FASTENERS**

D380,987 S * 7/1997 Izumi D11/221
D499,668 S * 12/2004 Iwase D11/221

(75) Inventor: **Livio Cossutti**, Bissone (CH)

* cited by examiner

(73) Assignee: **Riri S.A.**, Mendrisio (CH)

Primary Examiner—Ralf Seifert

(**) Term: **14 Years**

(74) *Attorney, Agent, or Firm*—Young & Thompson

(21) Appl. No.: **29/260,763**

(57) **CLAIM**

(22) Filed: **Jun. 1, 2006**

The ornamental design for a slider for zipper fasteners, as shown.

(30) **Foreign Application Priority Data**

DESCRIPTION

Dec. 1, 2005 (CN) 2005 3 0168365

(51) **LOC (8) Cl.** **02-07**

FIG. 1 is a bottom plan view of a slider for zipper fasteners, showing my new design;

(52) **U.S. Cl.** **D11/221**

FIG. 2 is a front elevational view thereof;

(58) **Field of Classification Search** D11/200,

FIG. 3 is a top plan view thereof;

D11/201, 221; 24/415–417, 419, 421, 427–431,
24/381–382, 385, 387, 433; 384/64

FIG. 4 is a side elevational view thereof from the right of FIG. 2;

See application file for complete search history.

FIG. 5 is a side elevational view thereof from the left of FIG. 2; and,

(56) **References Cited**

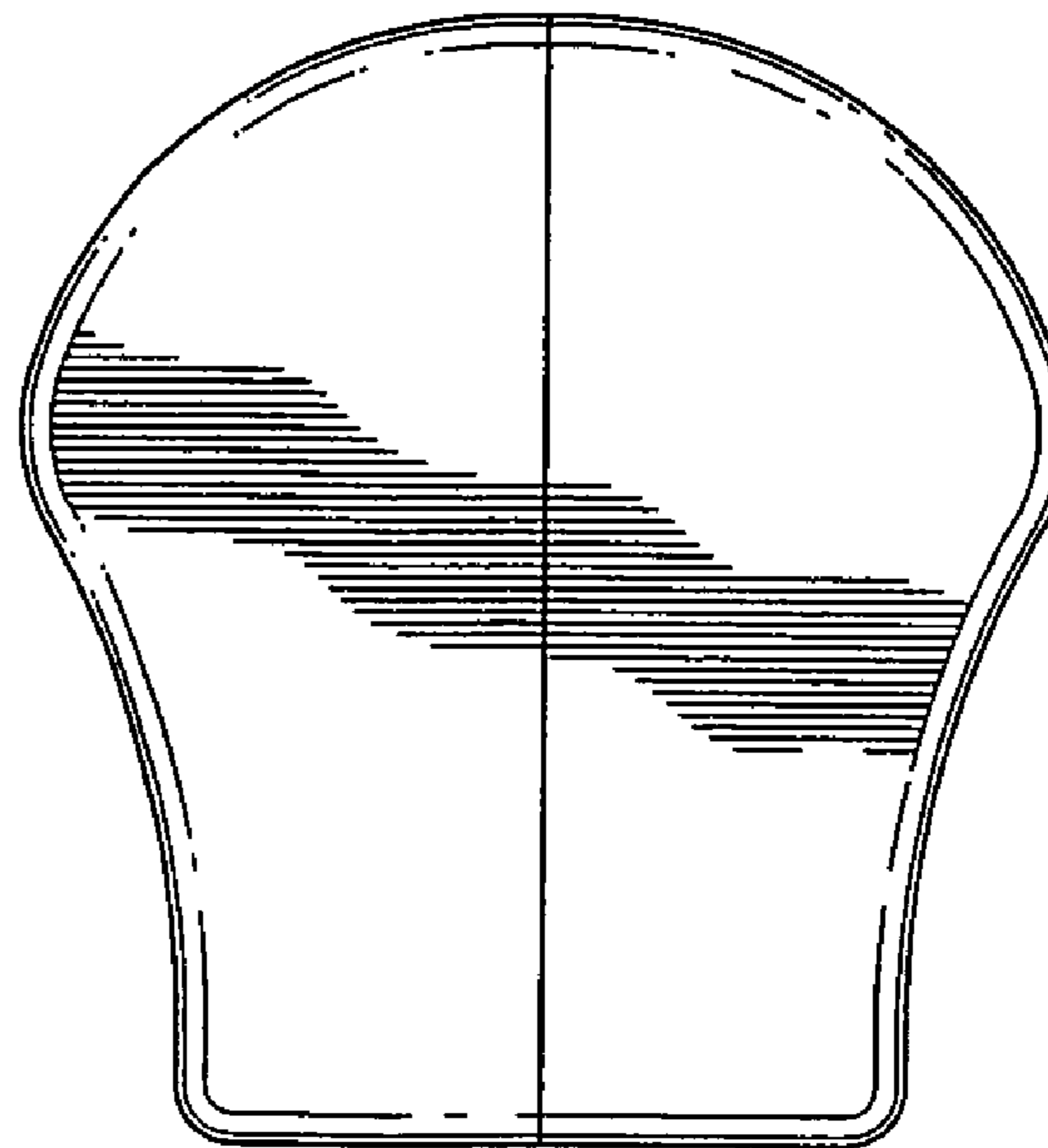
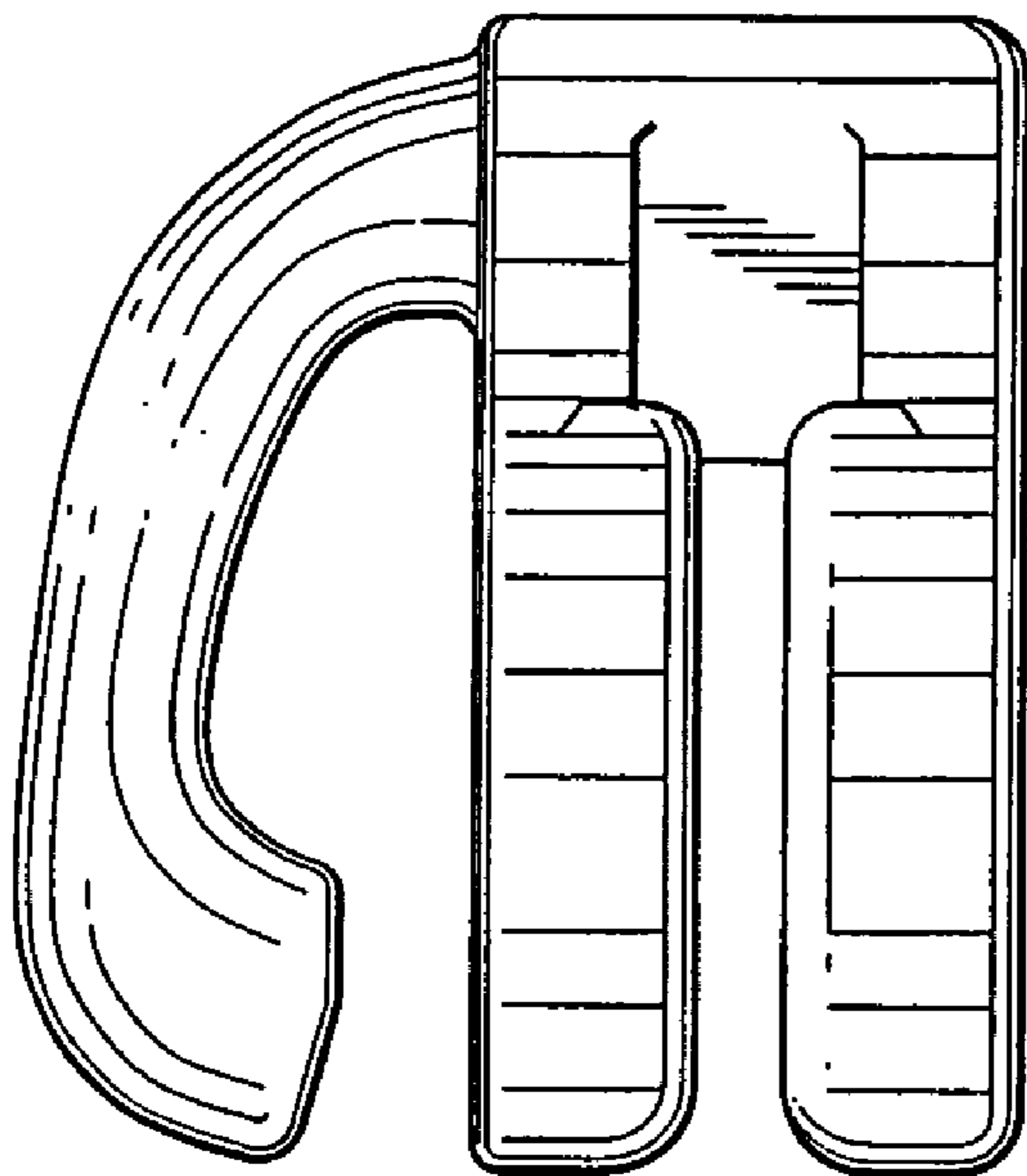
FIG. 6 is a rear elevational view thereof.

U.S. PATENT DOCUMENTS

D251,697 S * 5/1979 Toepelt et al. D11/221

D291,671 S * 9/1987 Keyaki D11/221

1 Claim, 2 Drawing Sheets



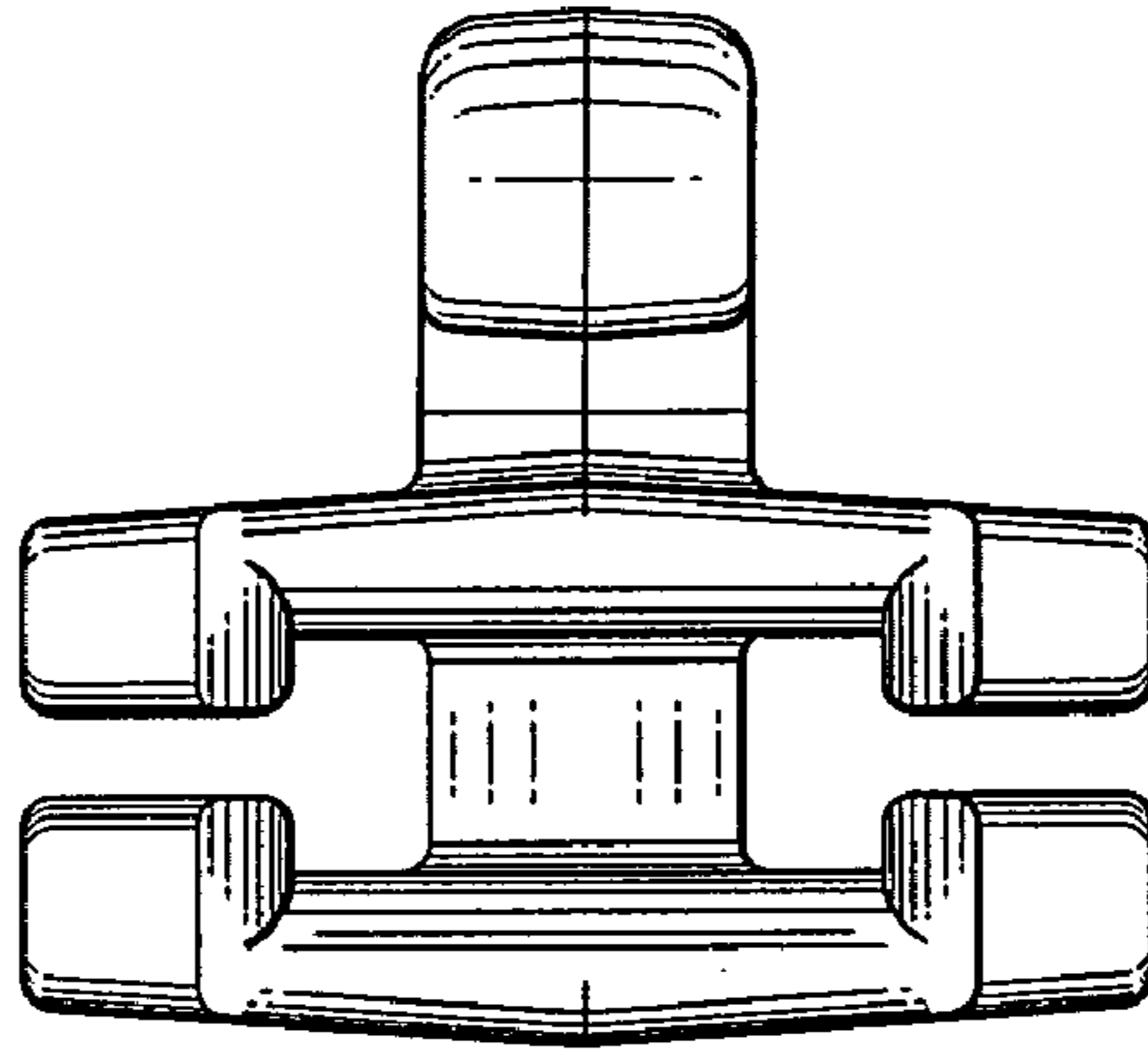


FIG. 1

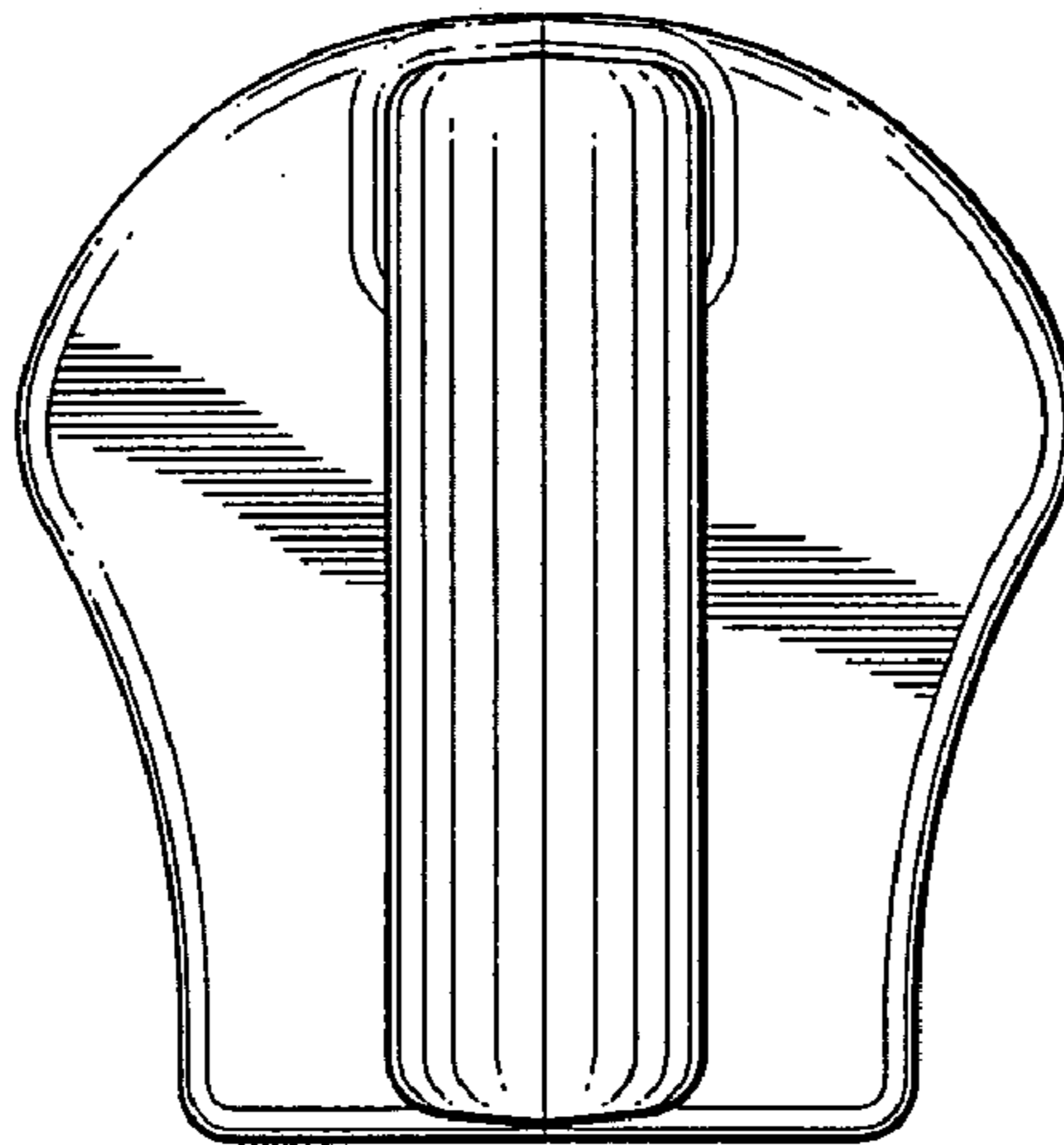


FIG. 2

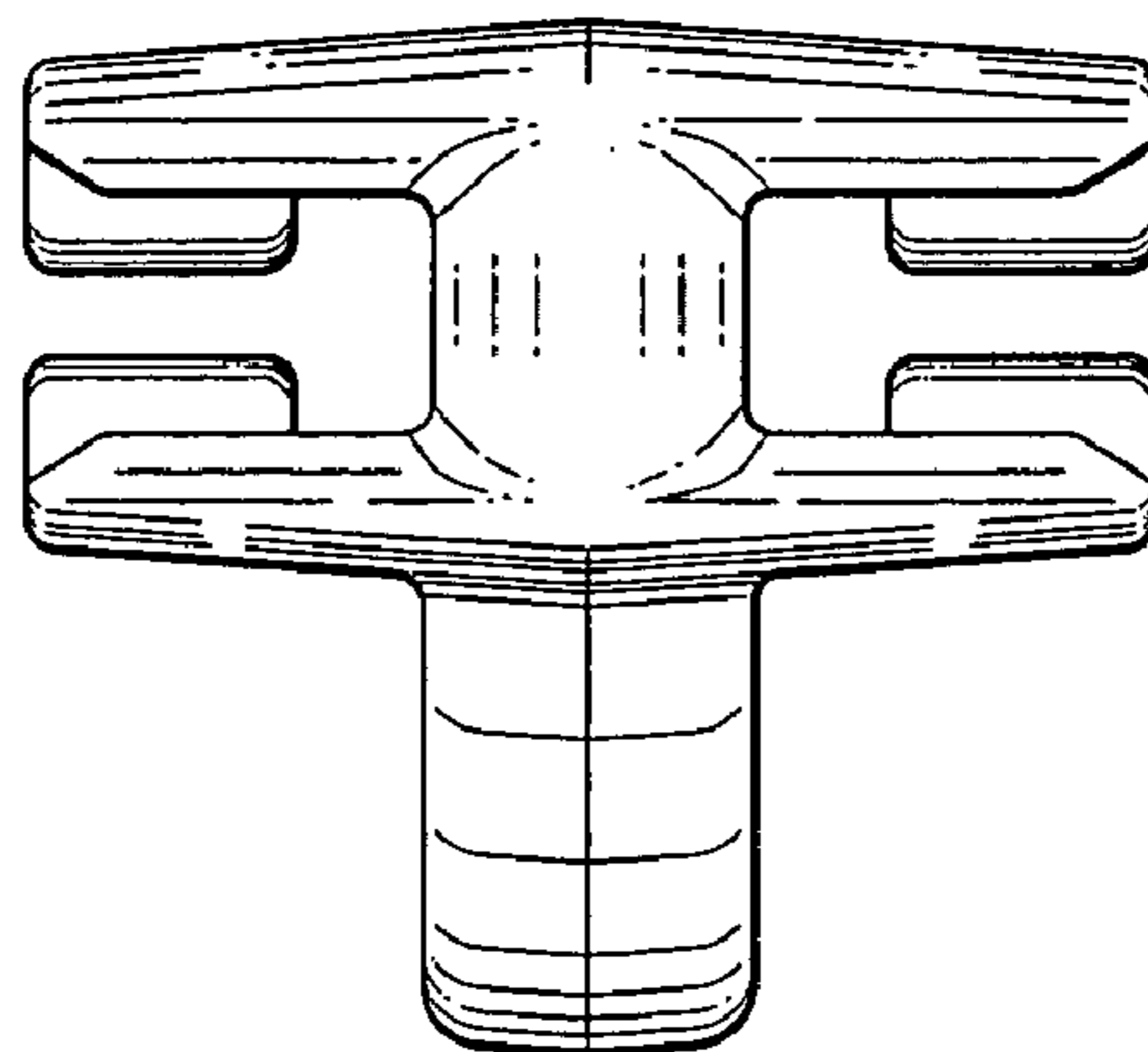


FIG. 3

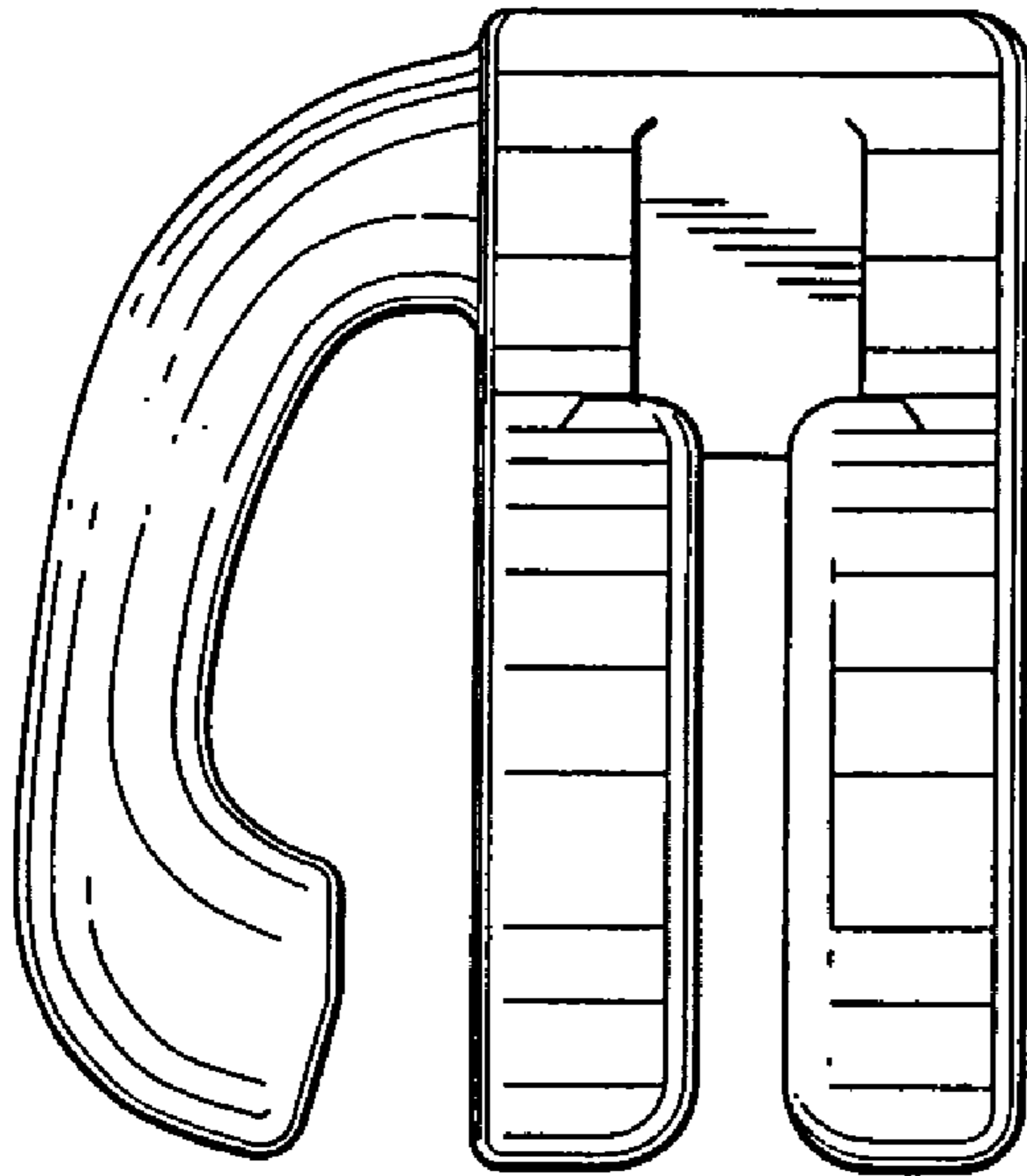


FIG. 4

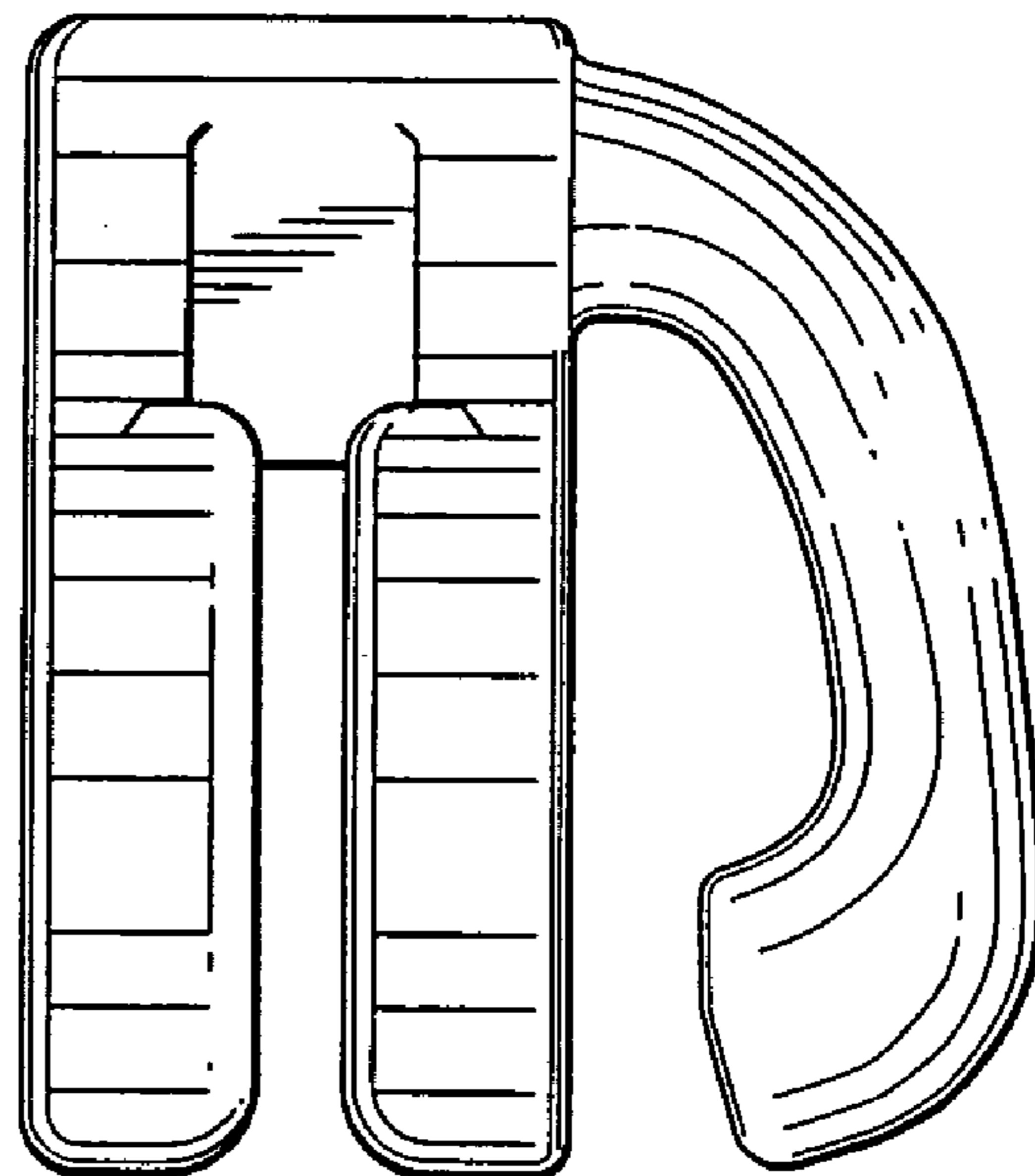


FIG. 5

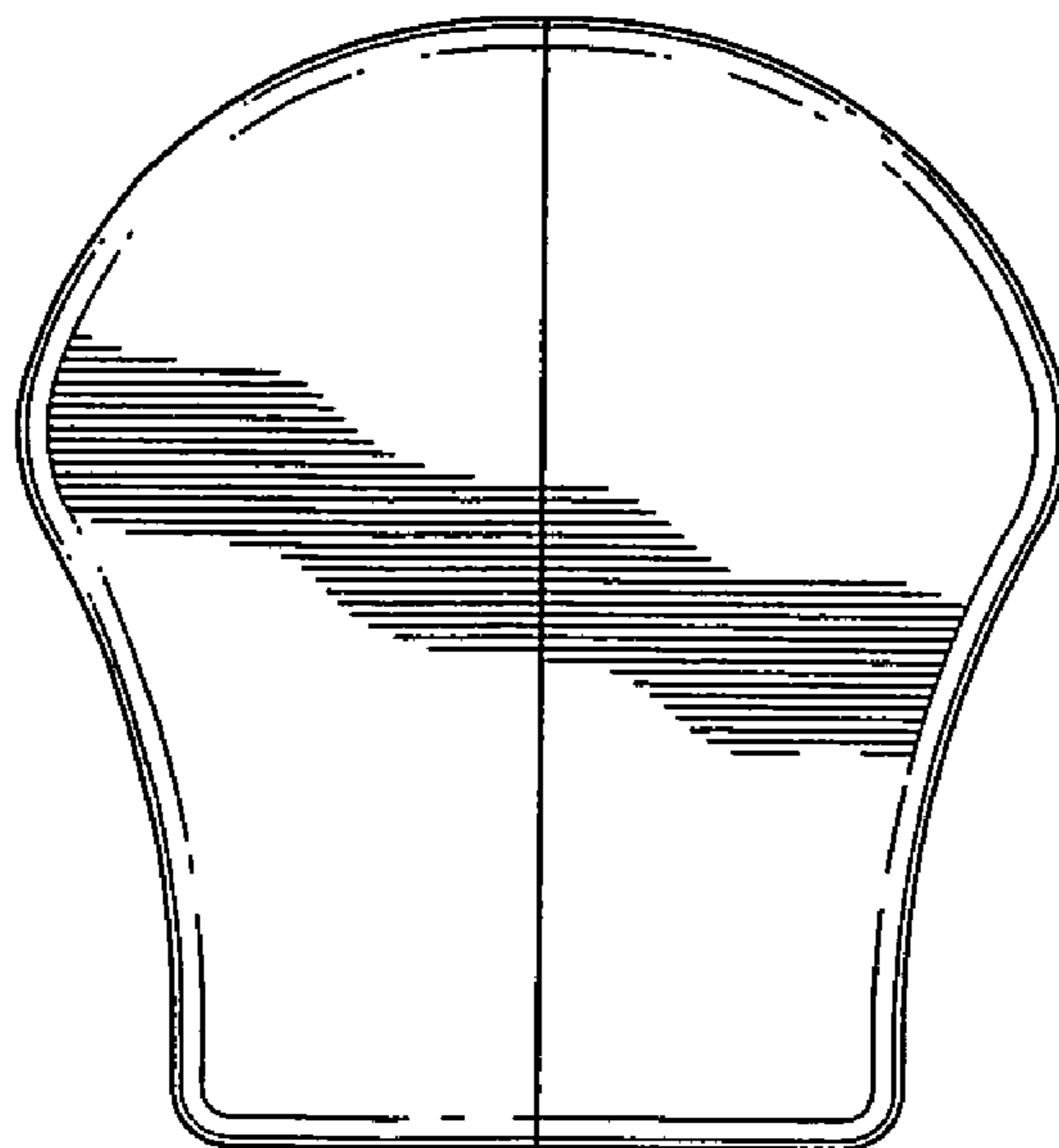


FIG. 6