



US00D558088S

(12) **United States Design Patent**
Pontaoe

(10) **Patent No.:** **US D558,088 S**

(45) **Date of Patent:** **** Dec. 25, 2007**

(54) **BUCKLE**

6,904,648 B2 * 6/2005 Fildan et al. 24/302

(75) Inventor: **John S. Pontaoe**, Chicago, IL (US)

* cited by examiner

(73) Assignee: **Illinois Tool Works Inc**, Glenview, IL (US)

Primary Examiner—Ralf Seifert

(74) *Attorney, Agent, or Firm*—Mark W. Croll; Paul F. Donovan

(**) Term: **14 Years**

(57) **CLAIM**

(21) Appl. No.: **29/288,185**

The ornamental design for a buckle, as shown and described.

(22) Filed: **Jun. 1, 2007**

DESCRIPTION

(51) **LOC (8) Cl.** **02-07**

FIG. 1 is a perspective view of a buckle showing the new design;

(52) **U.S. Cl.** **D11/218**

FIG. 2 is a top view thereof;

(58) **Field of Classification Search** D11/200–201,
D11/206–210, 214–216, 218; 24/163 R,
24/169–171, 173, 177–179, 191, 194, 195,
24/200, 197

FIG. 3 is a bottom view thereof;

FIG. 4 is a front view thereof;

See application file for complete search history.

FIG. 5 is a back view thereof;

FIG. 6 is a right side view thereof;

(56) **References Cited**

FIG. 7 is a left side view thereof;

U.S. PATENT DOCUMENTS

FIG. 8 is another perspective view thereof; and,

FIG. 9 is yet another perspective view thereof.

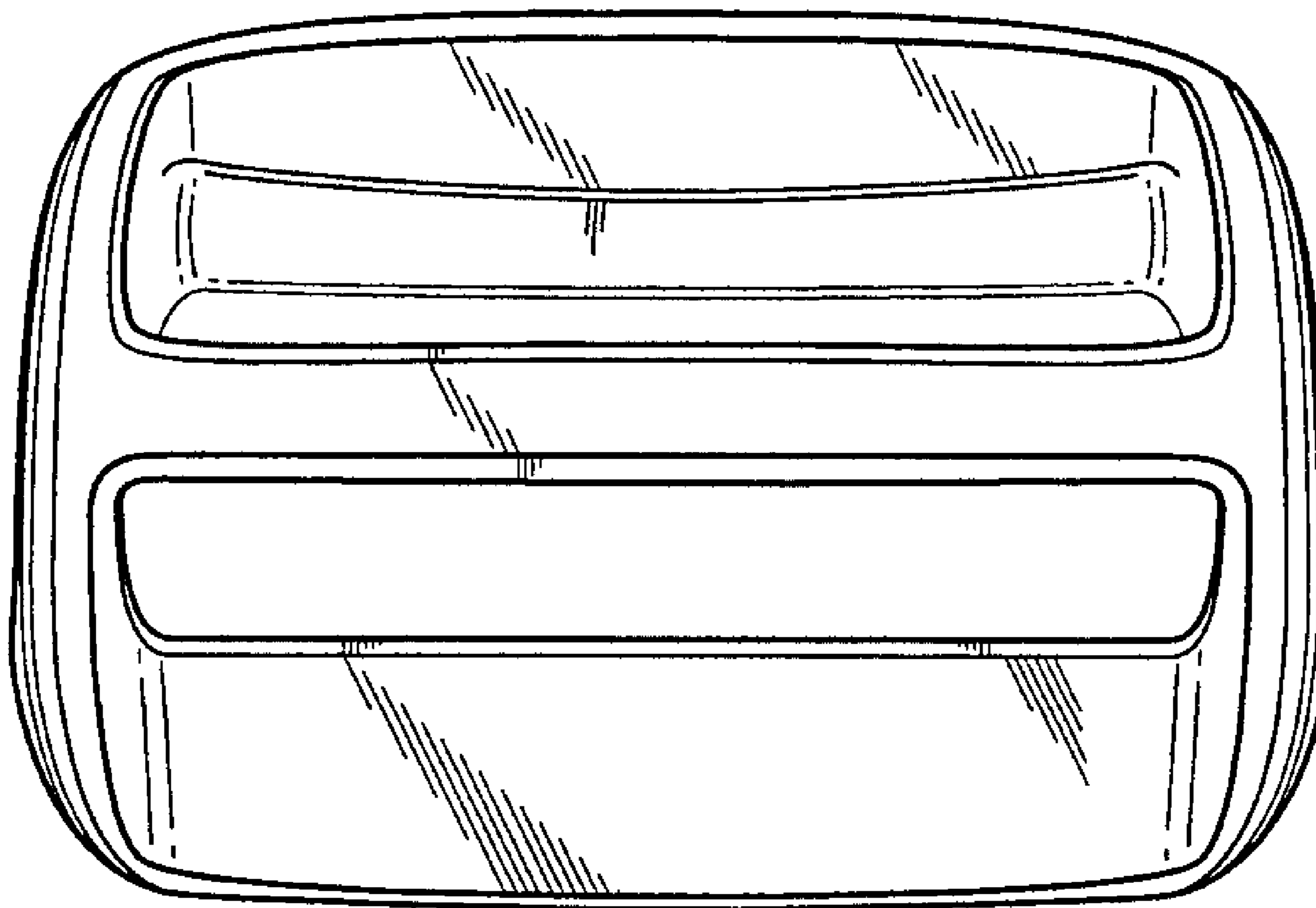
3,328,856 A * 7/1967 Jonas 24/191

D290,349 S * 6/1987 Kasai D11/218

D399,172 S * 10/1998 Anscher D11/218

D446,473 S * 8/2001 Chung D11/218

1 Claim, 7 Drawing Sheets



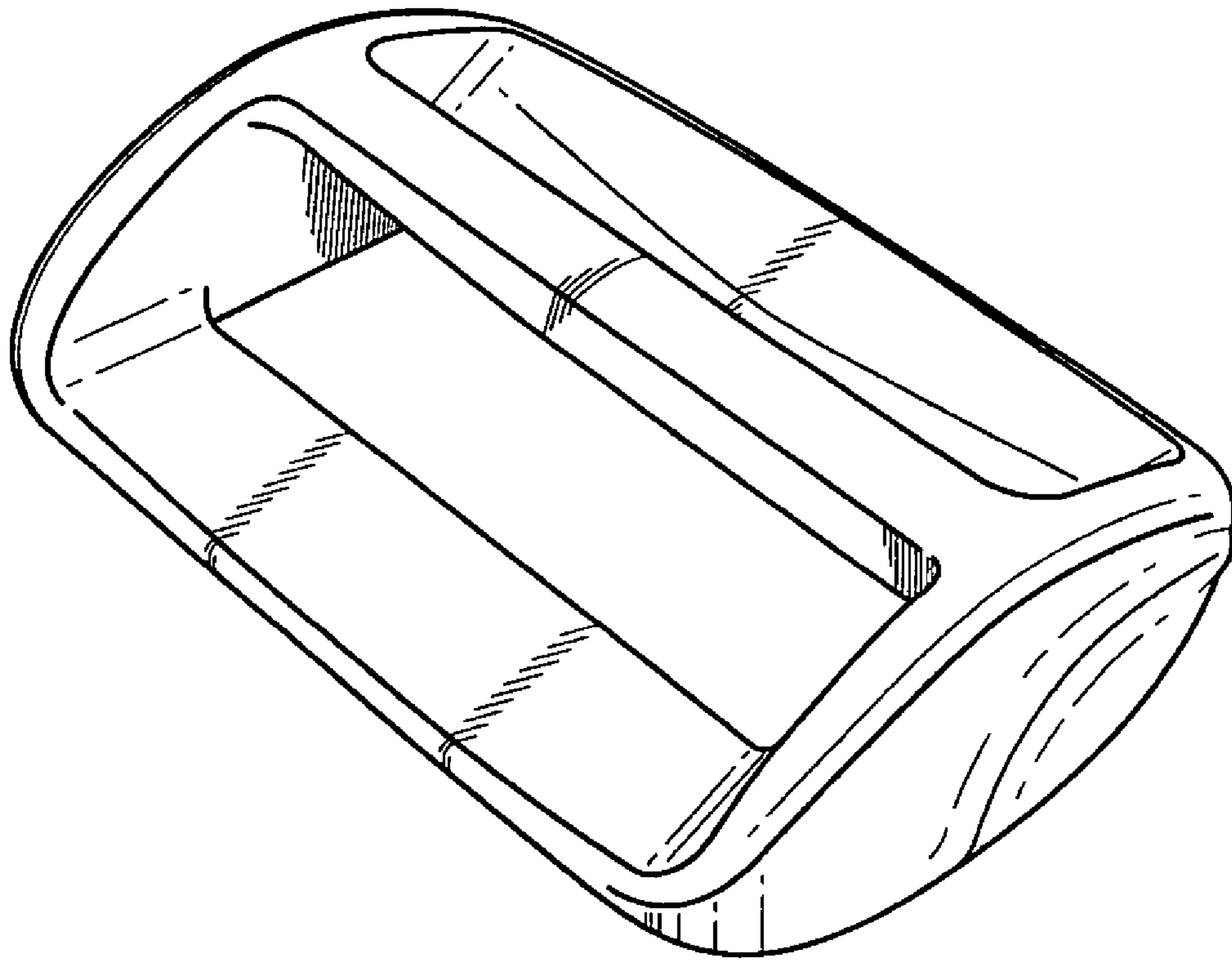


Fig. 1

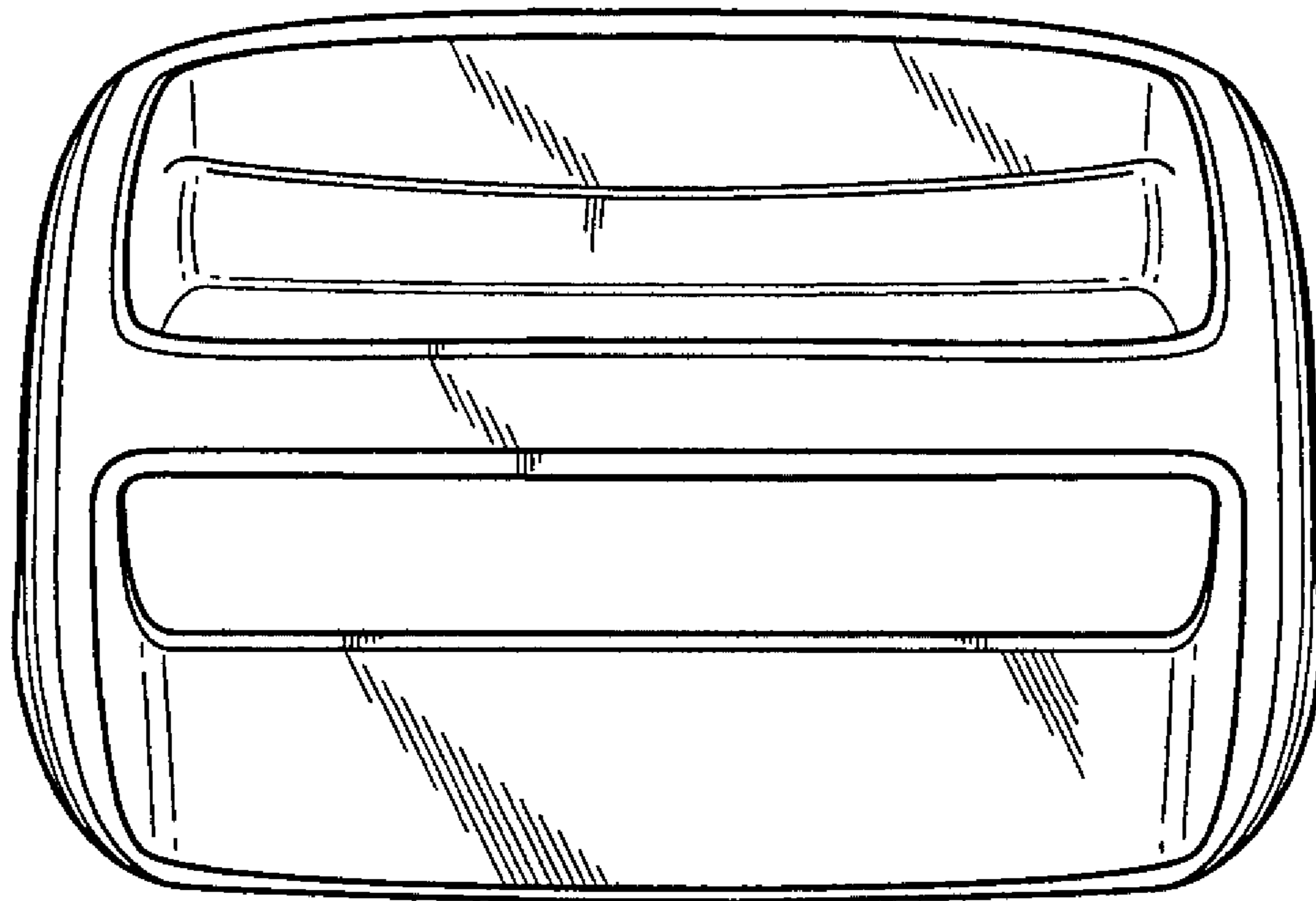


Fig. 2

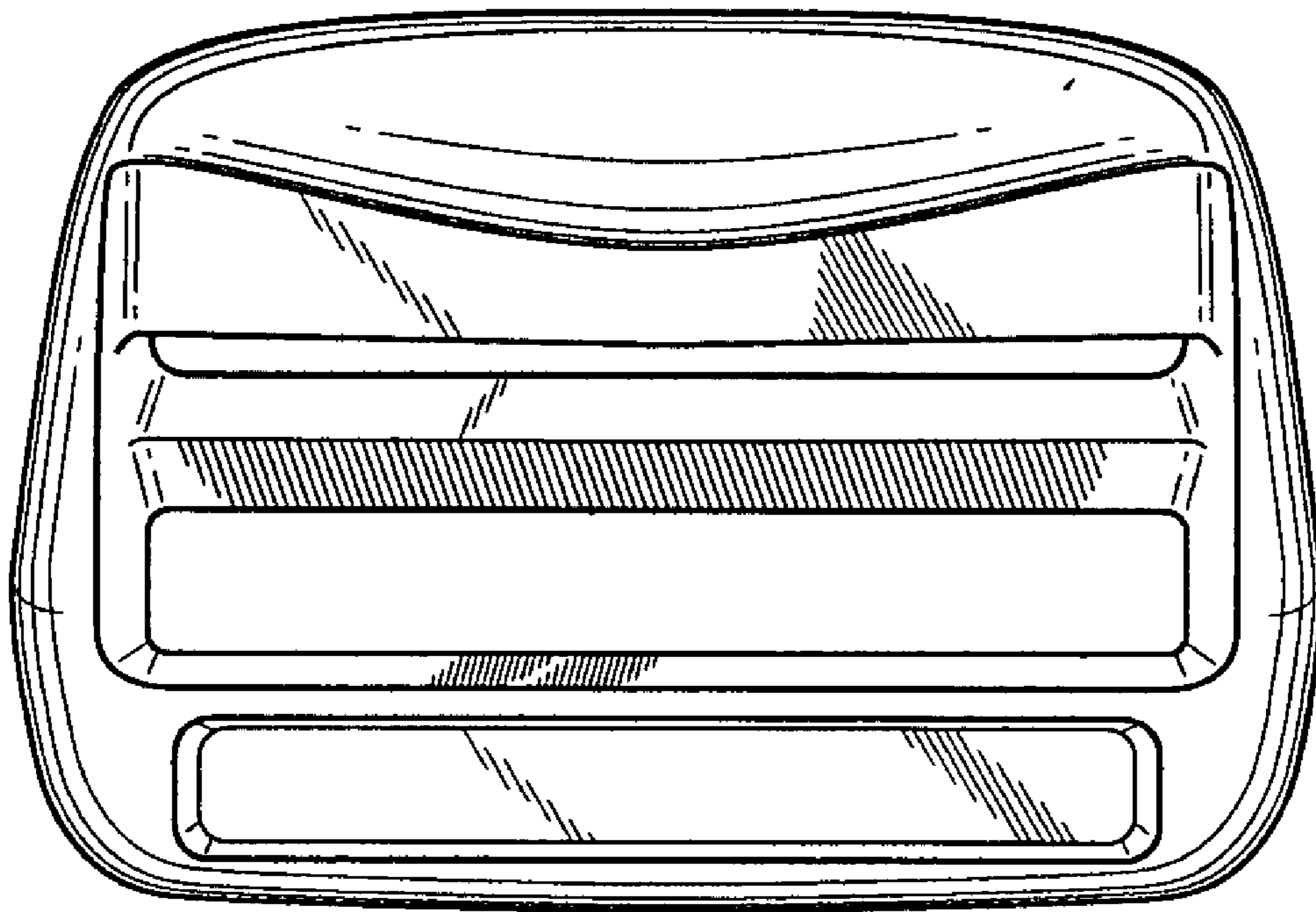


Fig. 3

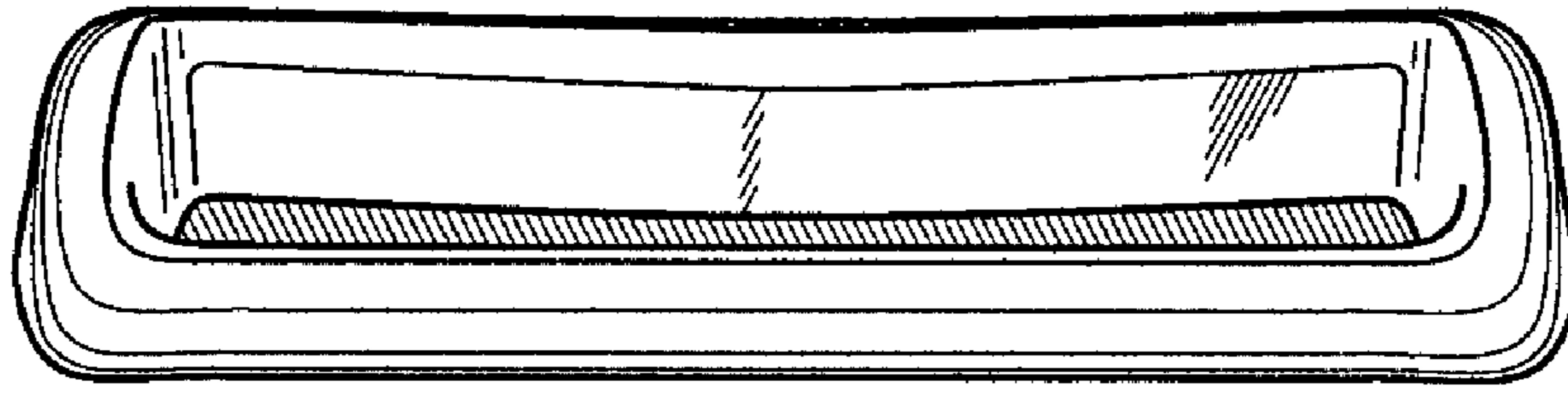


Fig. 4

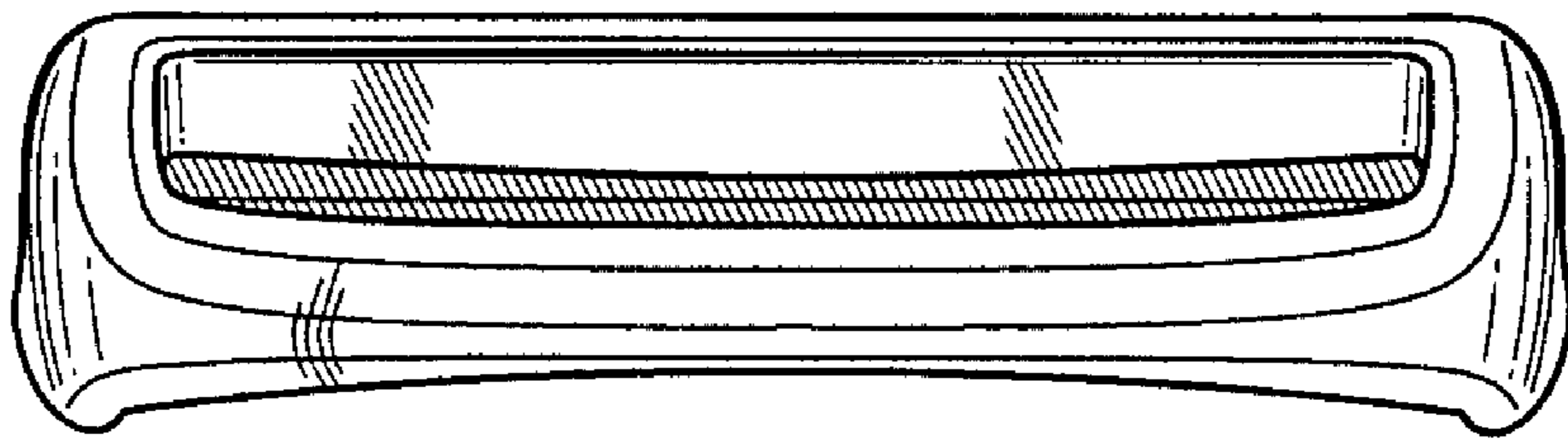


Fig. 5

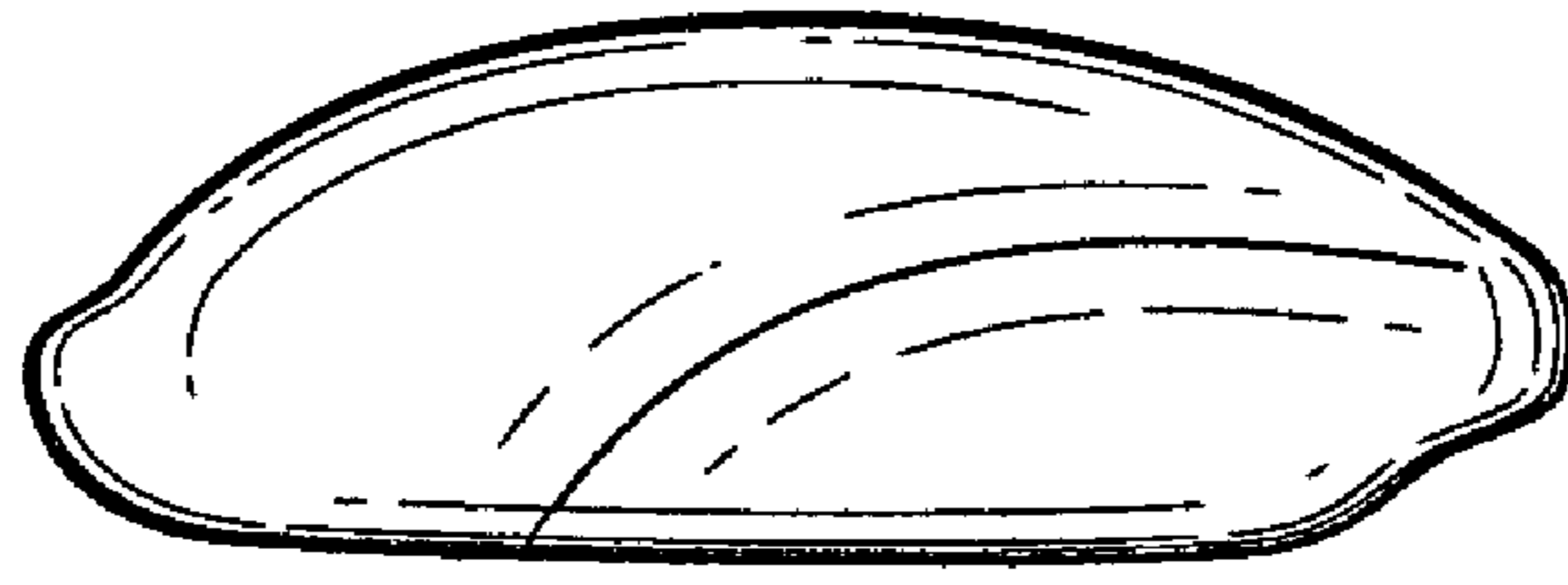


Fig. 6

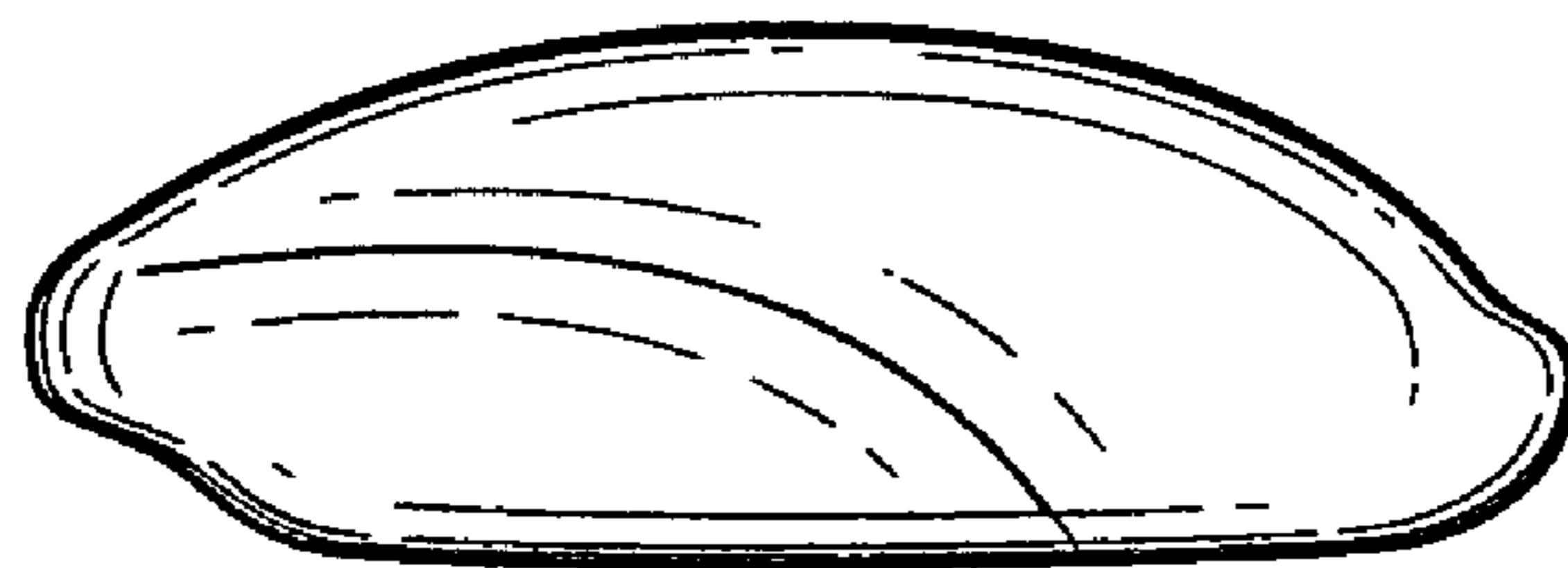


Fig. 7

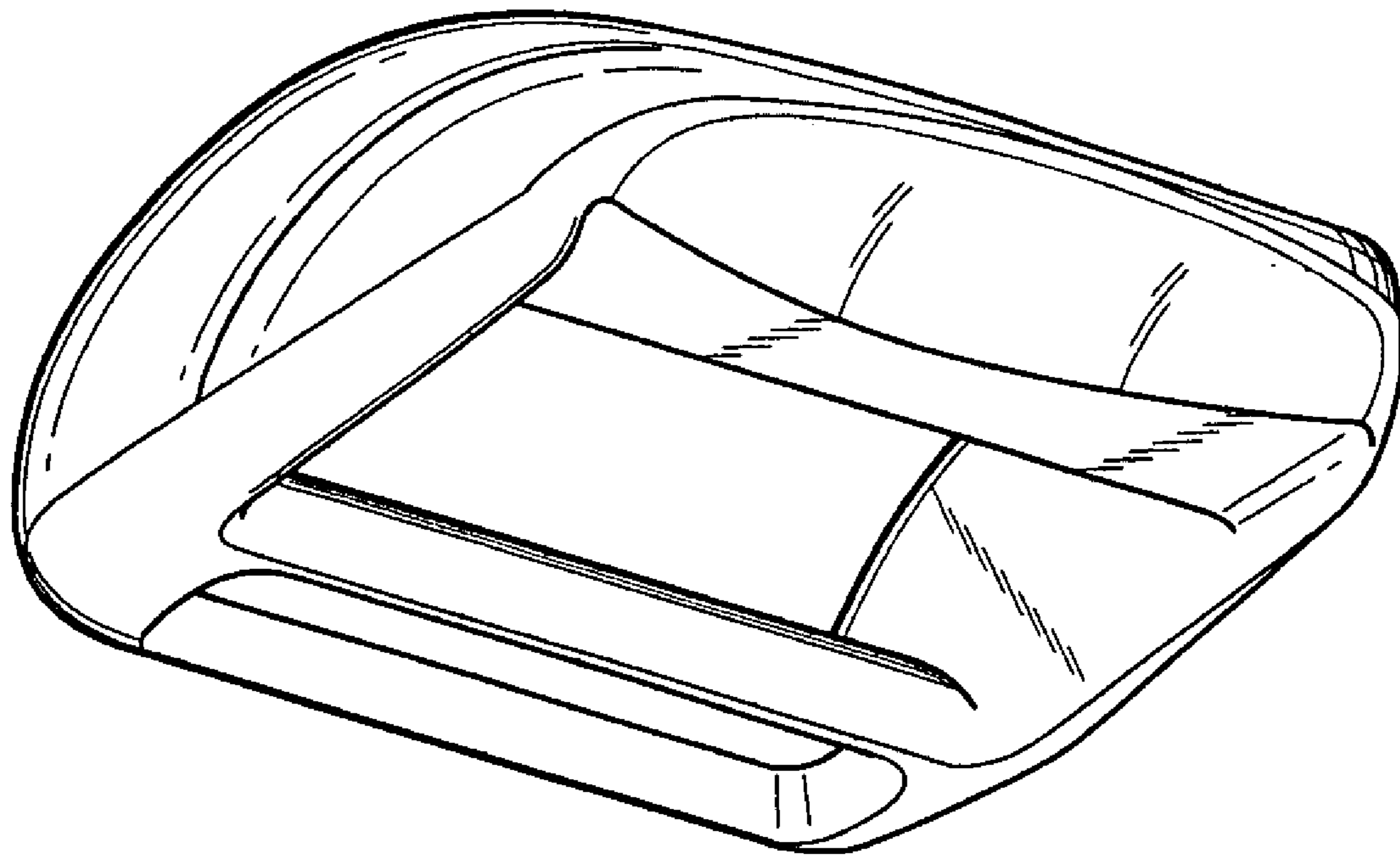


Fig. 8

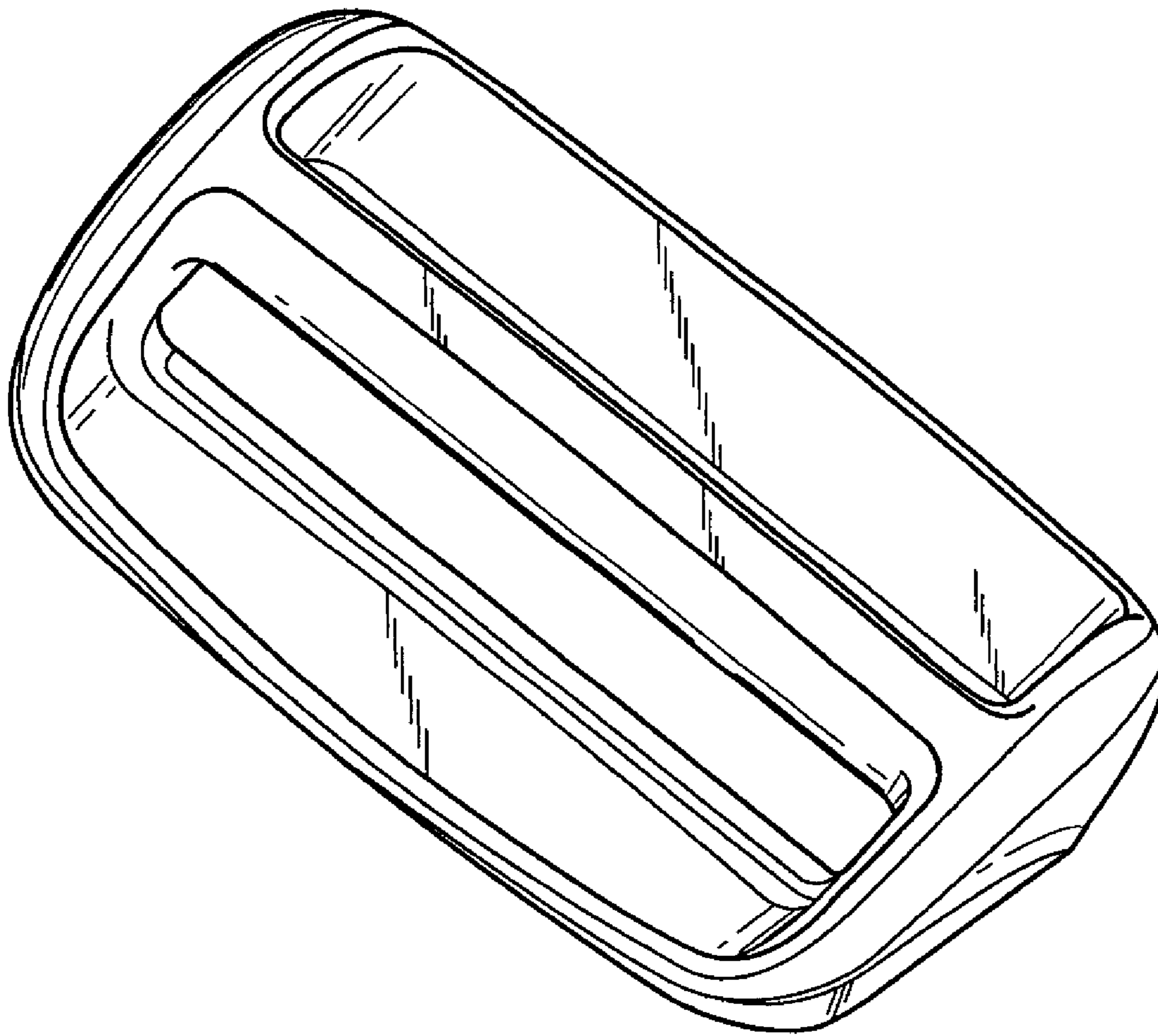


Fig. 9