



US00D558080S

(12) **United States Design Patent**
Kodama

(10) **Patent No.:** **US D558,080 S**

(45) **Date of Patent:** **** Dec. 25, 2007**

(54) **BACKUP ALARM**

(75) Inventor: **Yukio Kodama**, Kazuno (JP)

(73) Assignee: **Triton Signal Corporation**, Chicago, IL (US)

(**) Term: **14 Years**

(21) Appl. No.: **29/254,522**

(22) Filed: **Feb. 23, 2006**

(51) **LOC (8) Cl.** **10-05**

(52) **U.S. Cl.** **D10/116; D10/104**

(58) **Field of Classification Search** D10/104-121;
D14/204, 209, 210, 215, 216; 340/463; D26/40;
D23/390; D7/407

See application file for complete search history.

(56) **References Cited**

U.S. PATENT DOCUMENTS

4,603,317	A *	7/1986	Gailbreath et al.	340/463
D474,173	S *	5/2003	Right et al.	D14/209
D480,067	S *	9/2003	Mazejka	D14/215
D485,201	S *	1/2004	Corrigan	D10/120
D513,200	S *	12/2005	Lai	D10/120
D514,466	S *	2/2006	Lai	D10/120
D514,973	S *	2/2006	Coward	D10/120

D524,600 S * 7/2006 Austin et al. D7/407
2004/0046653 A1 * 3/2004 Milliken 340/463

* cited by examiner

Primary Examiner—Robert M. Spear
Assistant Examiner—George D Kirschbaum

(74) *Attorney, Agent, or Firm*—Mark J. Nahnsen; Barnes & Thornburg LLP

(57) **CLAIM**

The ornamental design for a backup alarm, as shown and described.

DESCRIPTION

FIG. 1 is a front perspective view of the backup alarm of my new design;

FIG. 2 is a top view thereof;

FIG. 3 is a front view thereof;

FIG. 4 is a left side view thereof;

FIG. 5 is a right side view thereof;

FIG. 6 is a rear view thereof;

FIG. 7 is a bottom view thereof; and,

FIG. 8 is a rear perspective view.

1 Claim, 2 Drawing Sheets

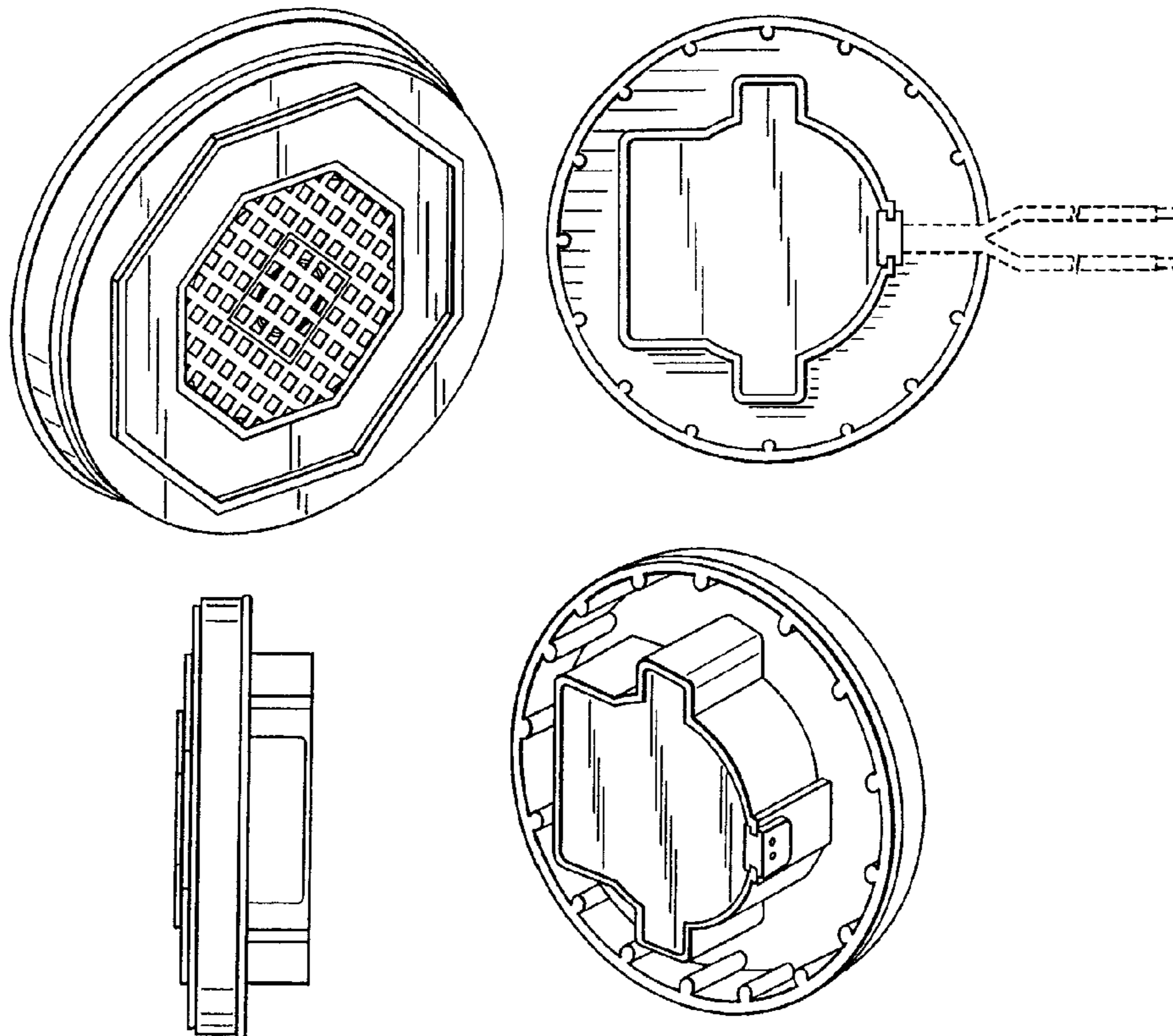


Fig. 1

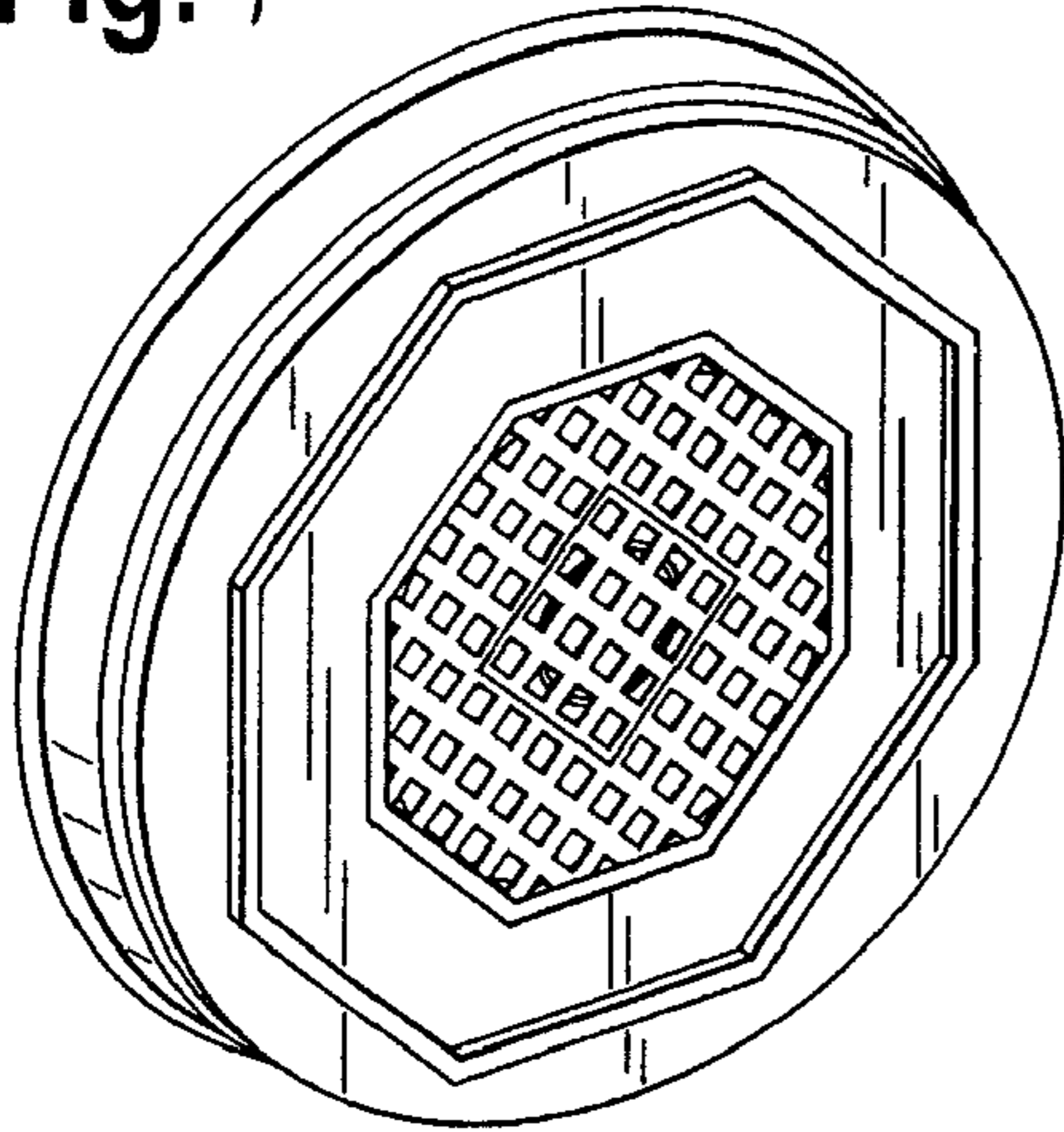


Fig. 4

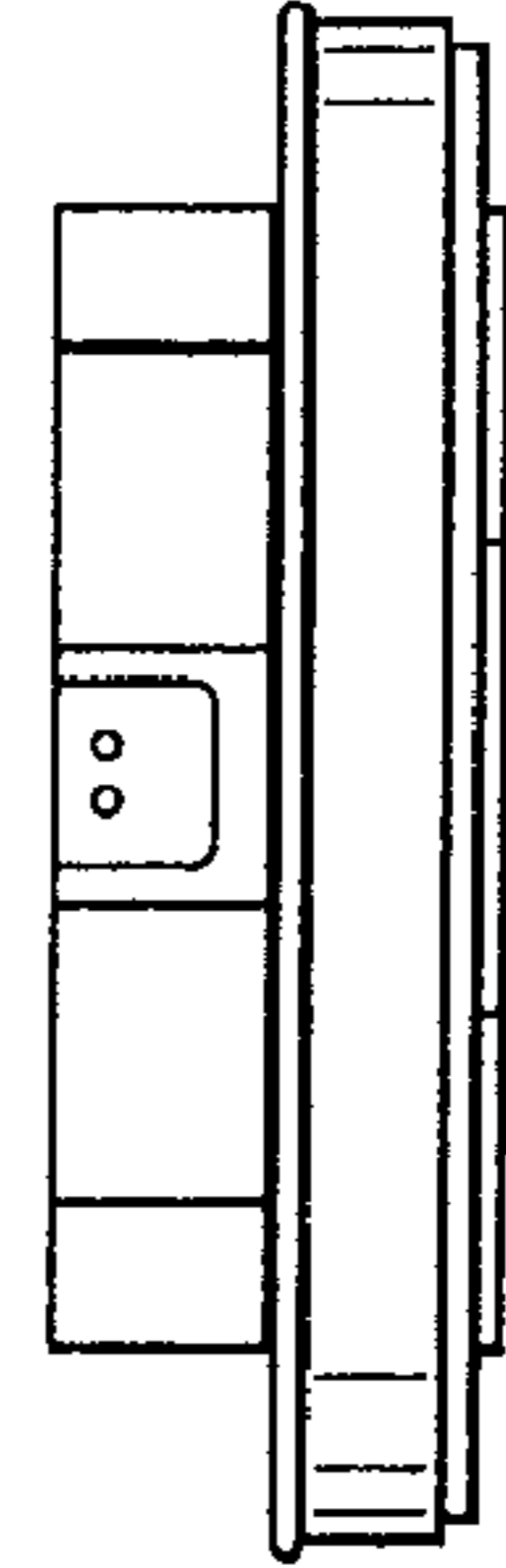


Fig. 2

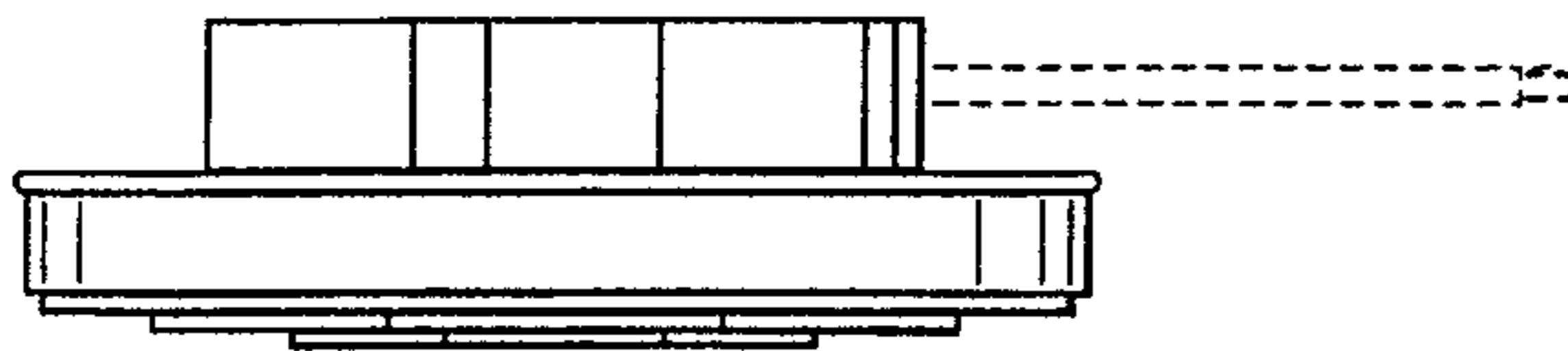


Fig. 3

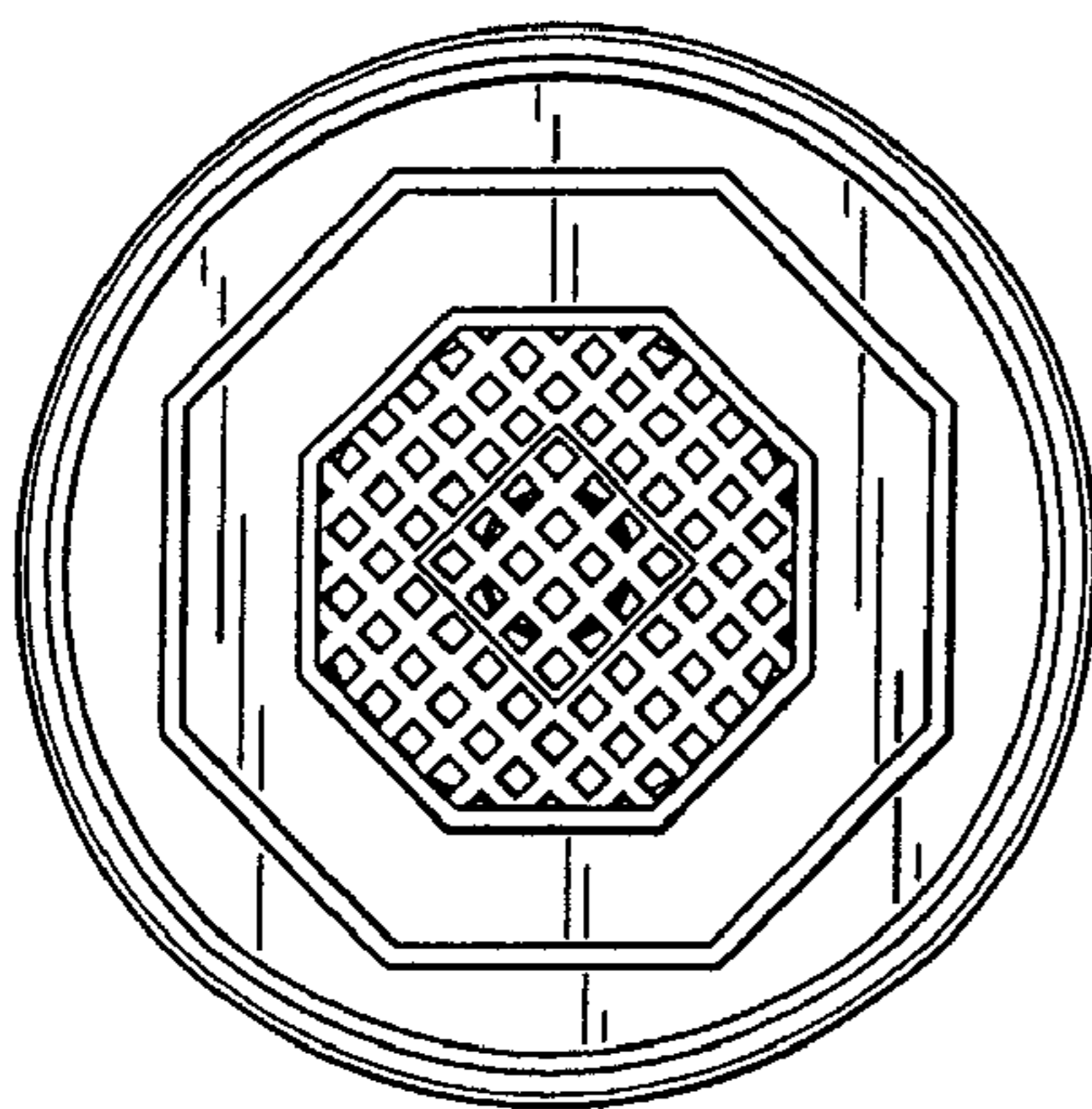


Fig. 5



Fig. 6

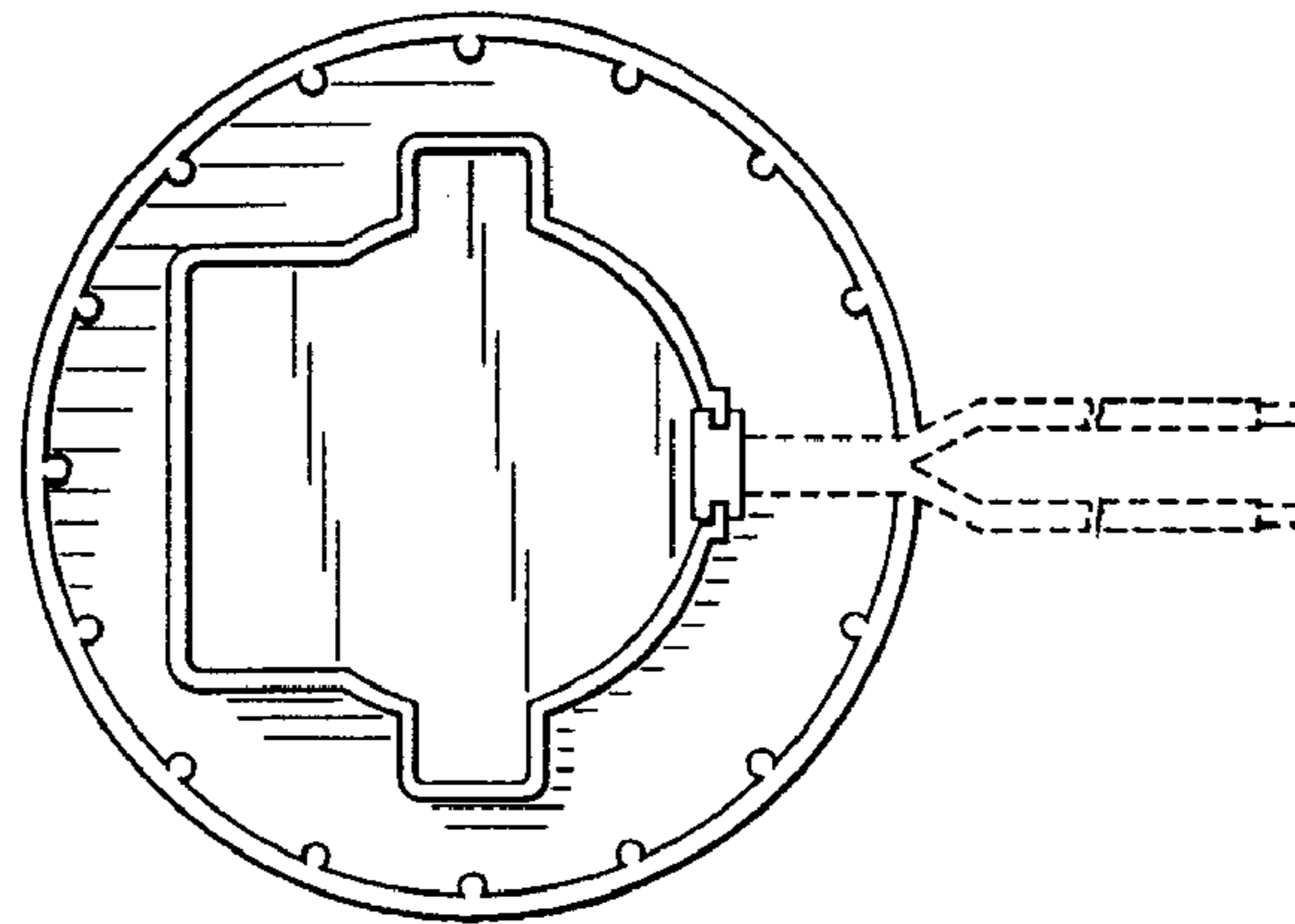


Fig. 7

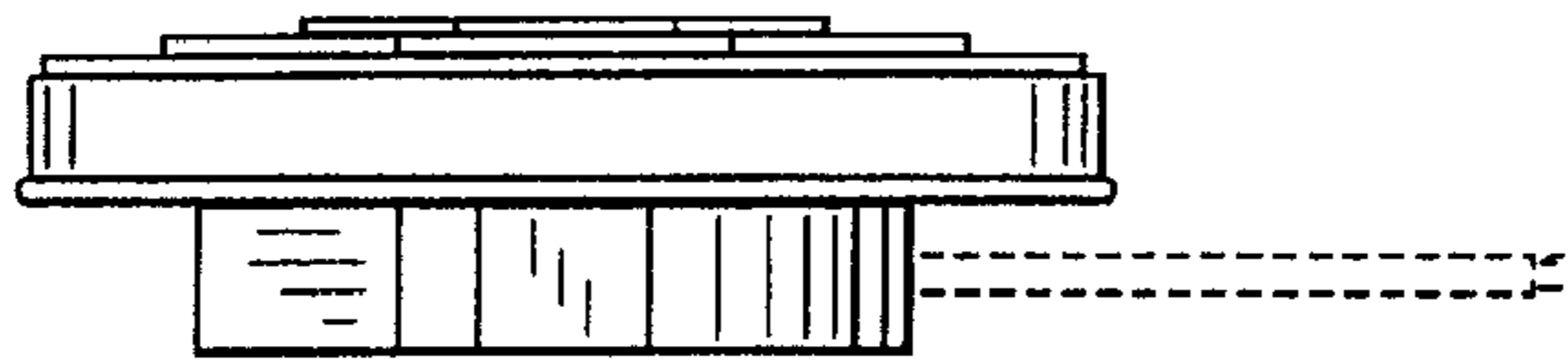


Fig. 8

