



US00D558078S

(12) **United States Design Patent**
Van Oers et al.

(10) **Patent No.:** **US D558,078 S**
(45) **Date of Patent:** **** Dec. 25, 2007**

(54) **WEIGHTING DEVICE**

WO WO 2005/033638 A1 4/2005

(76) Inventors: **Nico Van Oers**, Agamemnostraat 30,
Amsterdam (NL) 1076 LV; **Jelmer**
Jarig Huizinga, Agamemnonstraat 30,
Amsterdam (NL) 1076 LV

* cited by examiner

Primary Examiner—Antoine D. Davis
(74) *Attorney, Agent, or Firm*—Peter Ganjian

(**) Term: **14 Years**

(21) Appl. No.: **29/261,512**

(57) **CLAIM**

(22) Filed: **Jun. 15, 2006**

The ornamental design for a weighting device, as shown.

(51) **LOC (8) Cl.** **10-04**

(52) **U.S. Cl.** **D10/91**

(58) **Field of Classification Search** D10/87-92;
177/25.13, 25.15, 238-245

See application file for complete search history.

DESCRIPTION

FIG. 1 is a perspective view of a weighing device according to present design;

FIG. 2 is a side view along a length of the weighting device of FIG. 1, the opposite side view being a mirror image of FIG. 2;

FIG. 3 is side view along a width of the weighing device of FIG. 1, the opposite side view being a mirror image of FIG. 3;

FIG. 4 is a top view of the weighting device of FIG. 1; and, FIG. 5 is a bottom view of the weighting device of FIG. 1.

(56) **References Cited**

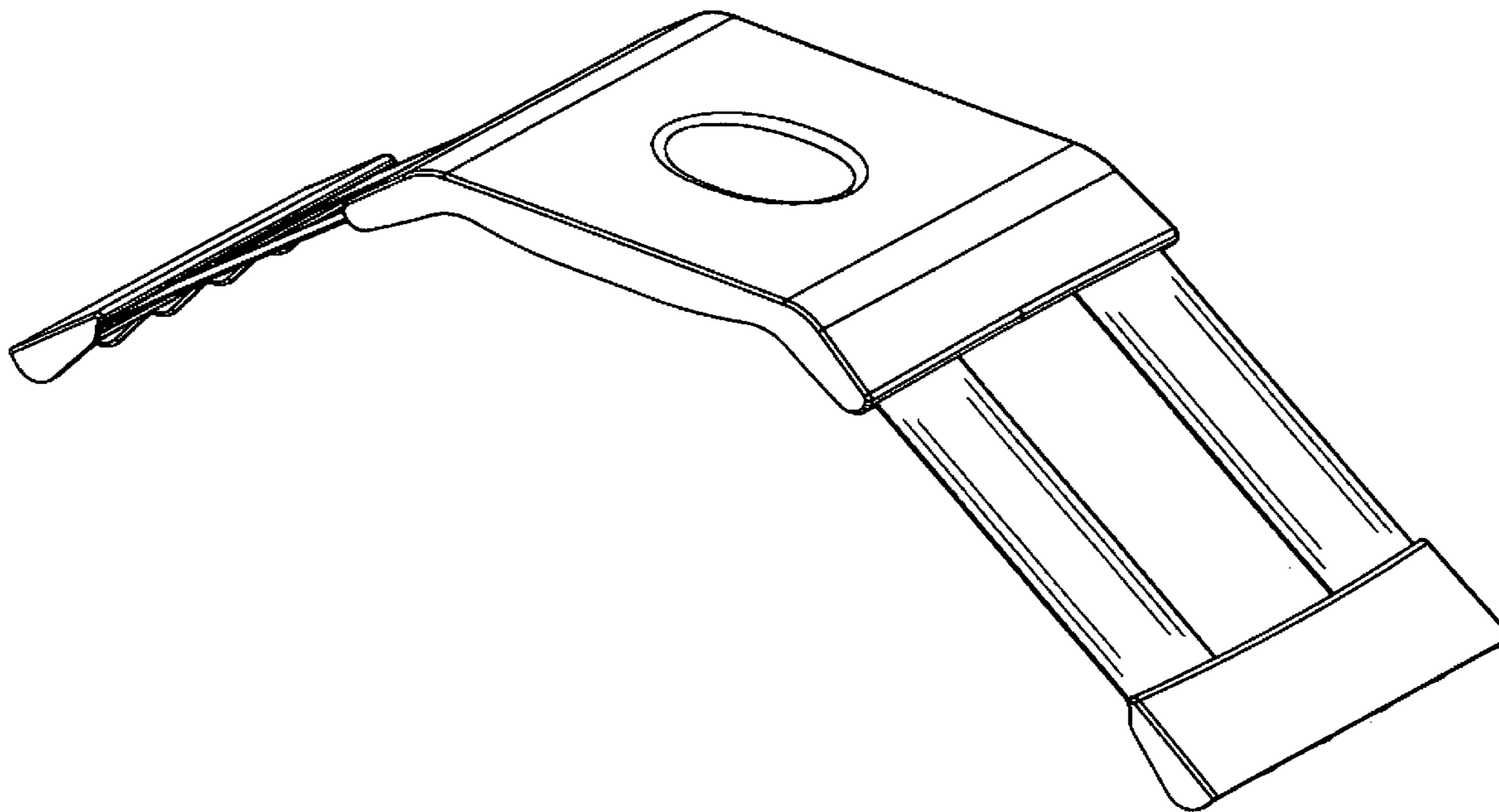
U.S. PATENT DOCUMENTS

3,339,911 A 9/1967 Af Strom
4,174,760 A 11/1979 Curchod
D326,825 S * 6/1992 Stutzer et al. D10/92
D504,343 S * 4/2005 Ek D10/92

FOREIGN PATENT DOCUMENTS

DE 19838371 A 3/2000

1 Claim, 5 Drawing Sheets



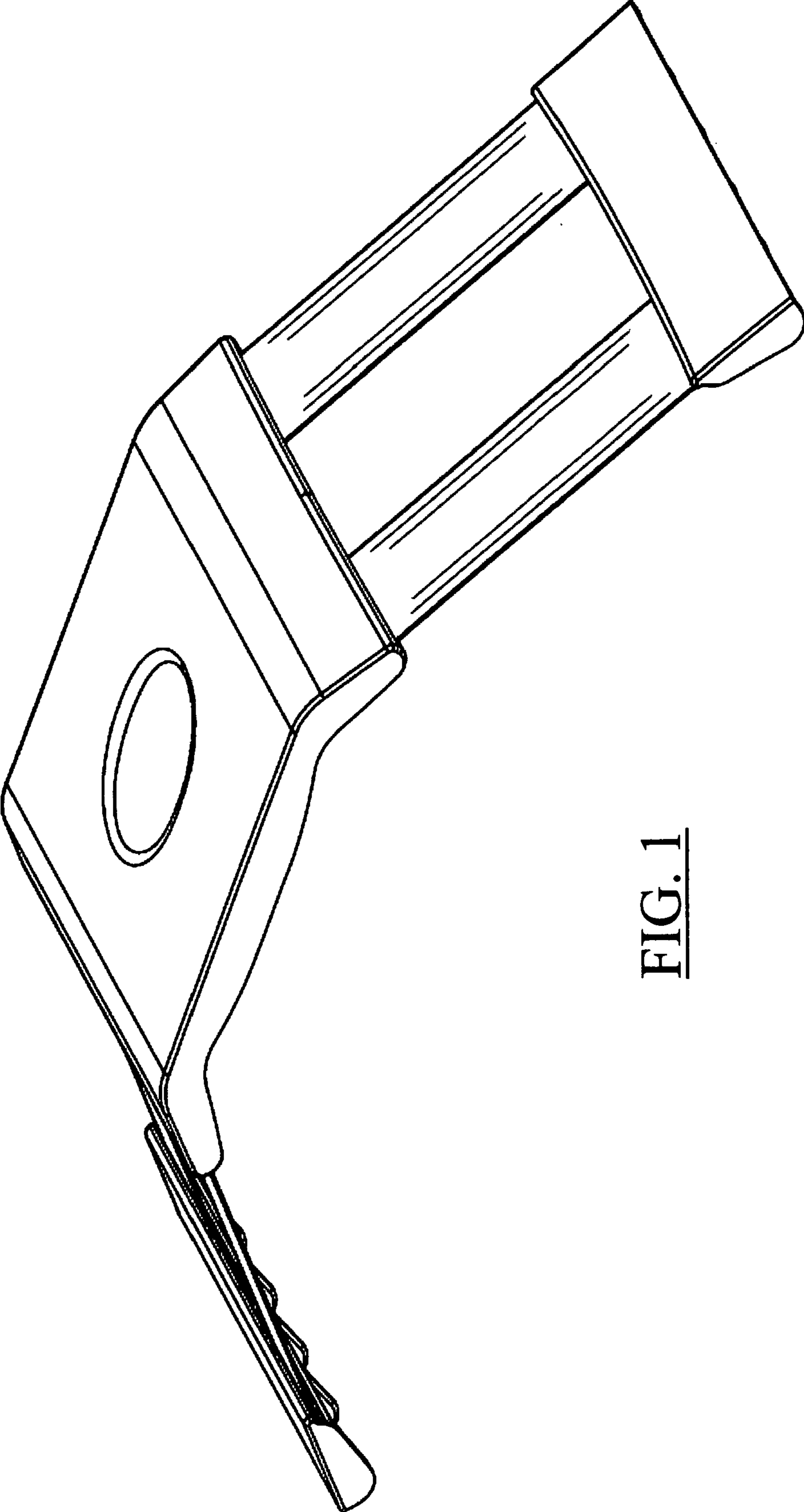


FIG. 1

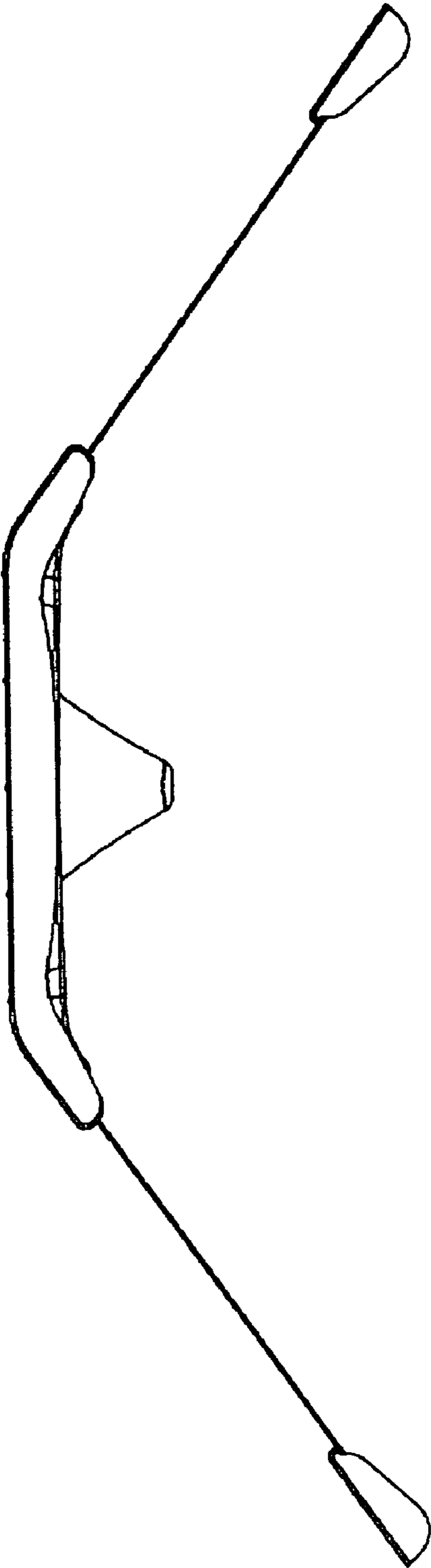


FIG. 2

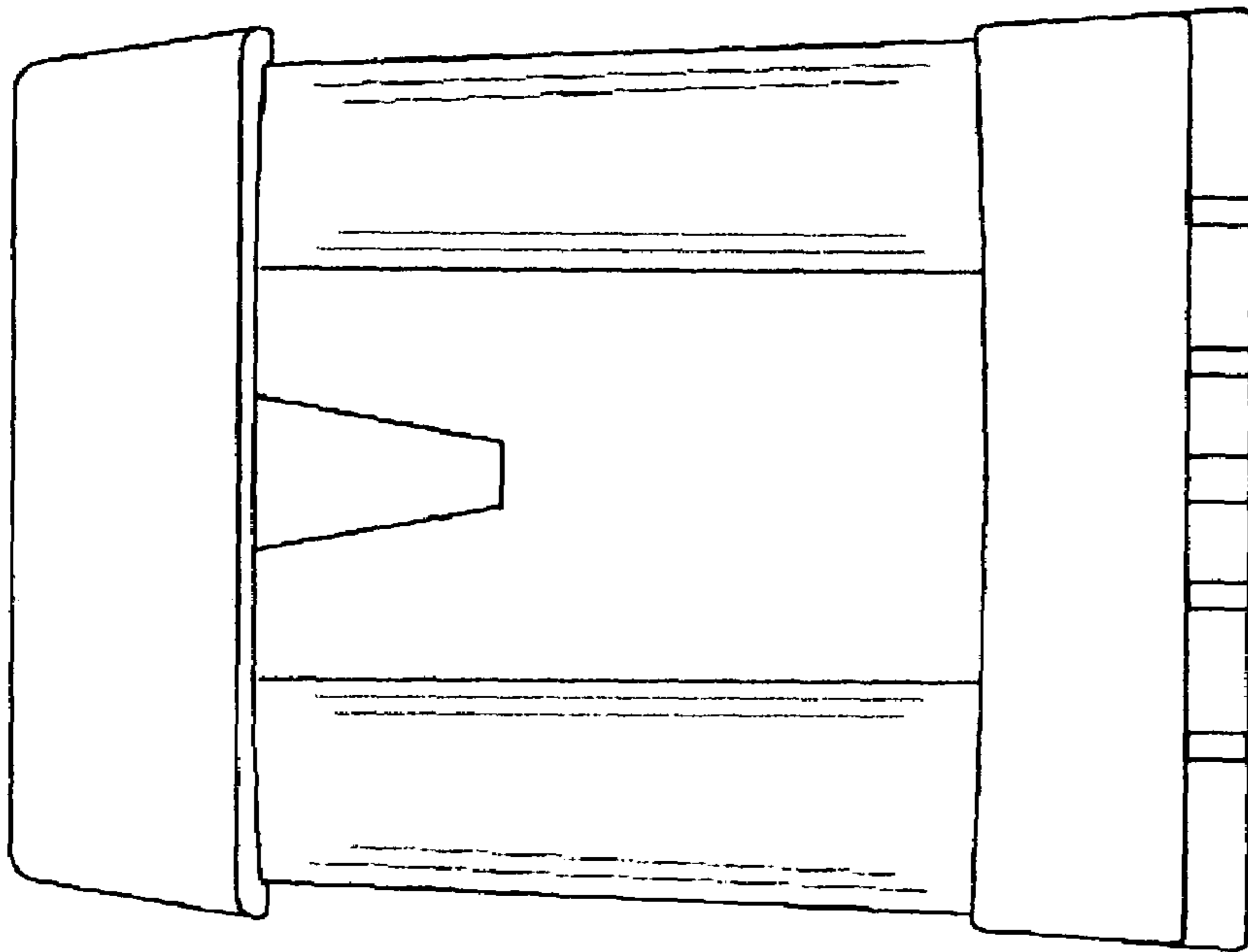


FIG. 3

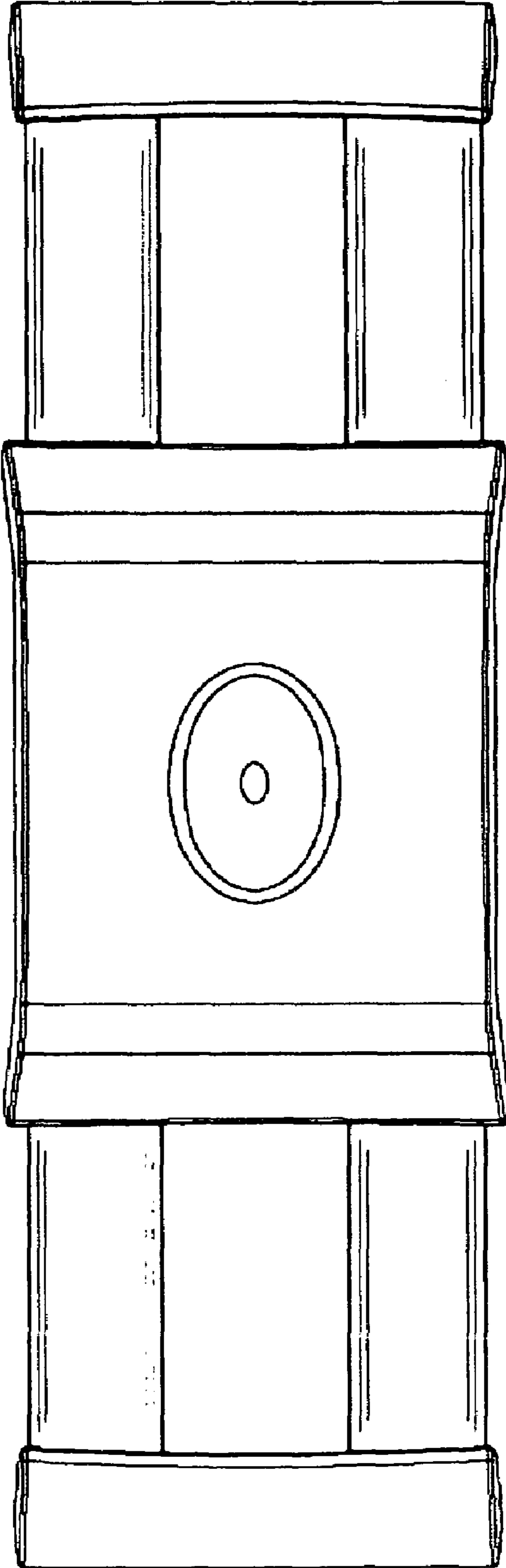


FIG. 4

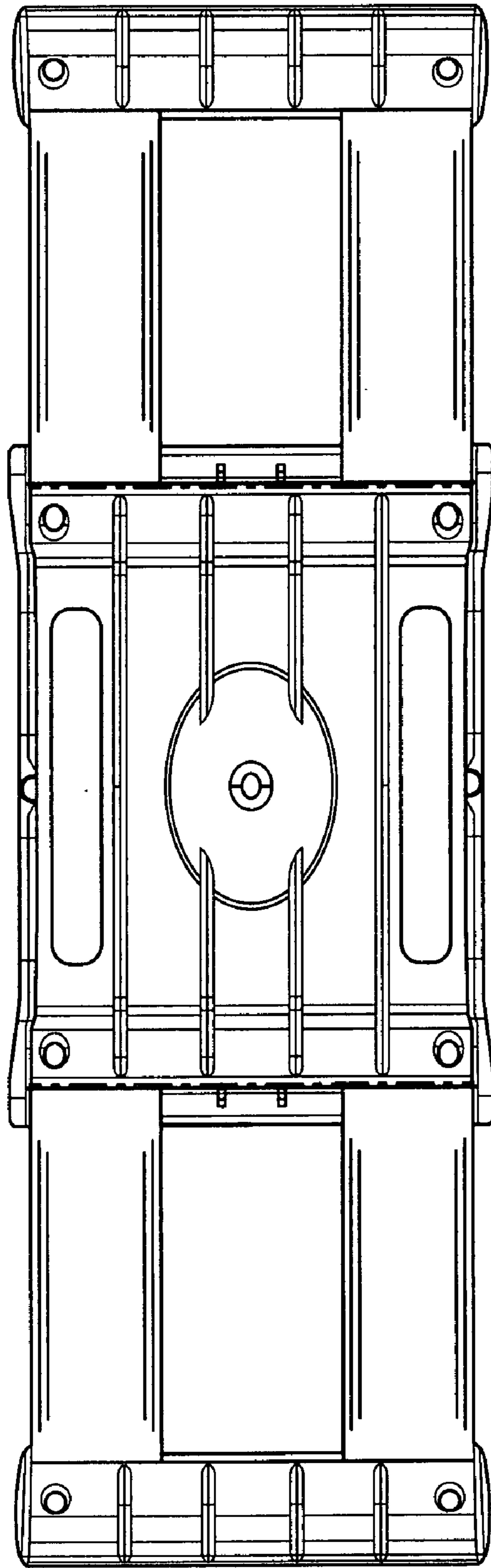


FIG. 5